



US00D470978S

(12) **United States Design Patent**  
**Hoernig**

(10) **Patent No.:** **US D470,978 S**

(45) **Date of Patent:** **\*\* Feb. 25, 2003**

(54) **TRAY**

(75) **Inventor:** **Victor Hoernig**, Lowell, IN (US)

(73) **Assignee:** **Bath Unlimited, Inc.**, Fort Mill, SC (US)

(\*\*) **Term:** **14 Years**

(21) **Appl. No.:** **29/163,140**

(22) **Filed:** **Jun. 26, 2002**

D92,206 S \* 5/1934 Reilly ..... D7/548  
D405,646 S \* 2/1999 Indekeu ..... D7/545  
D419,725 S \* 1/2000 Warshawsky ..... D28/73

\* cited by examiner

*Primary Examiner*—Brian N. Vinson  
(74) *Attorney, Agent, or Firm*—Edgar A. Zarins; Lloyd D. Doigan

**Related U.S. Application Data**

- (62) Division of application No. 29/144,482, filed on Jul. 3, 2001.
- (51) **LOC (7) Cl.** ..... **28-01**
- (52) **U.S. Cl.** ..... **D28/73; D6/524**
- (58) **Field of Search** ..... D28/73, 99, 74;  
108/27, 50.15, 156, 157.16, 161; D6/536;  
D7/548, 545

**References Cited**

**U.S. PATENT DOCUMENTS**

D39,557 S \* 9/1908 Herbestreit ..... D28/73 X

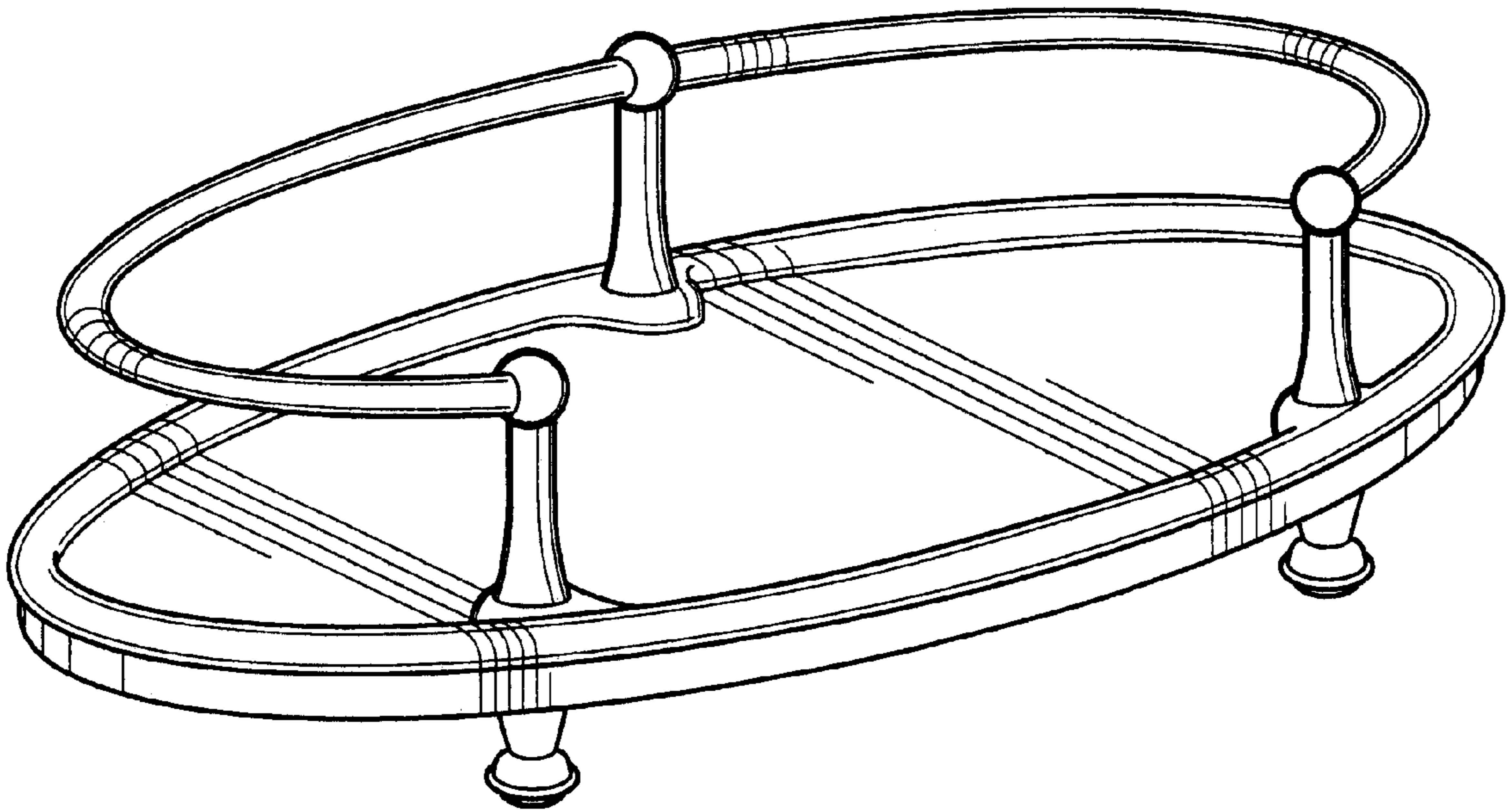
(57) **CLAIM**

The ornamental design for a tray, as shown and described.

**DESCRIPTION**

FIG. 1 is a perspective view of a tray showing my new design;  
 FIG. 2 is a top plan view thereof;  
 FIG. 3 is a bottom plan view thereof;  
 FIG. 4 is a left side view thereof, the opposite side being a mirror image of the side shown;  
 FIG. 5 is a front elevational view thereof; and,  
 FIG. 6 is a rear view thereof.

**1 Claim, 3 Drawing Sheets**



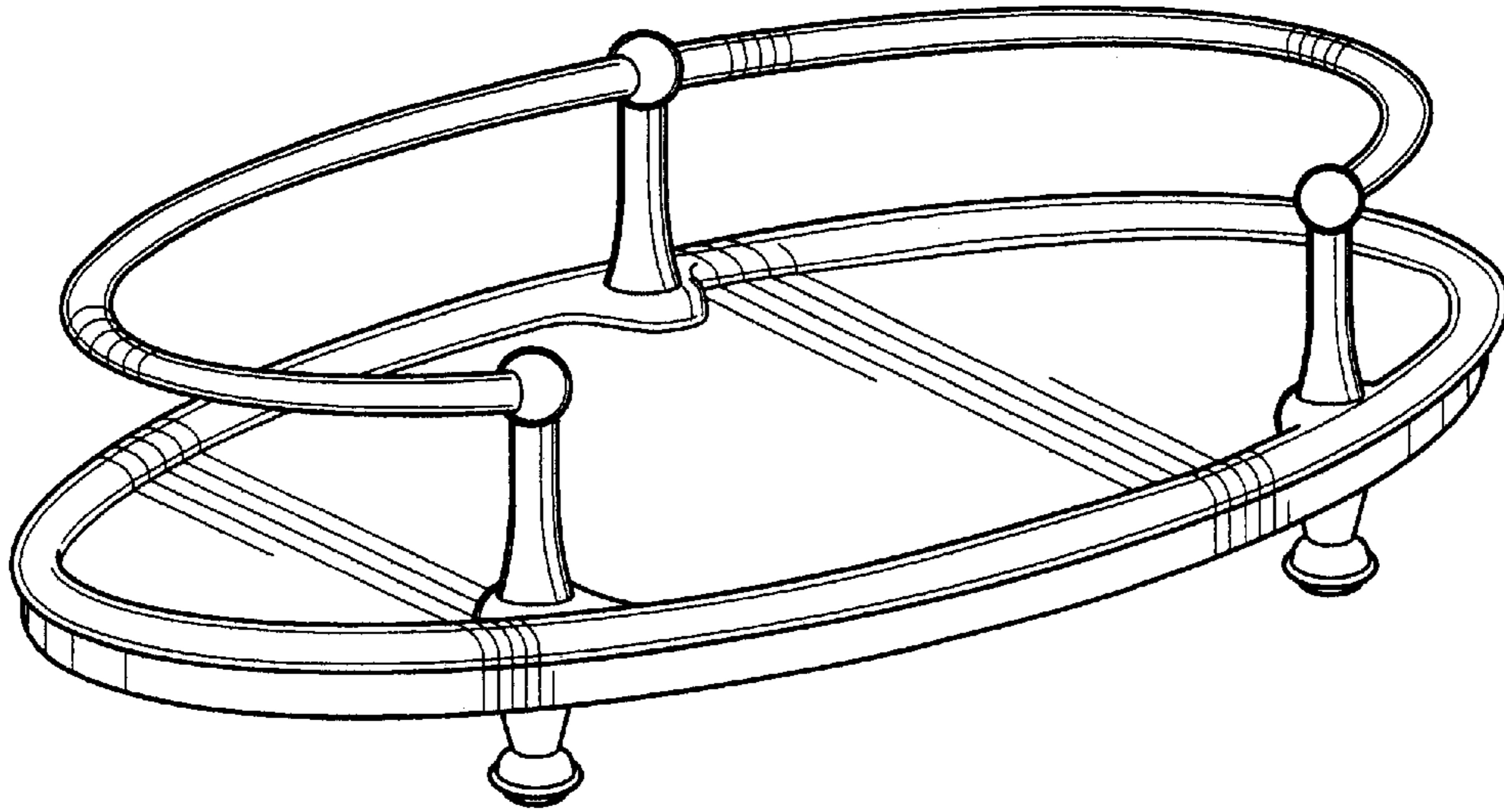


Fig-1

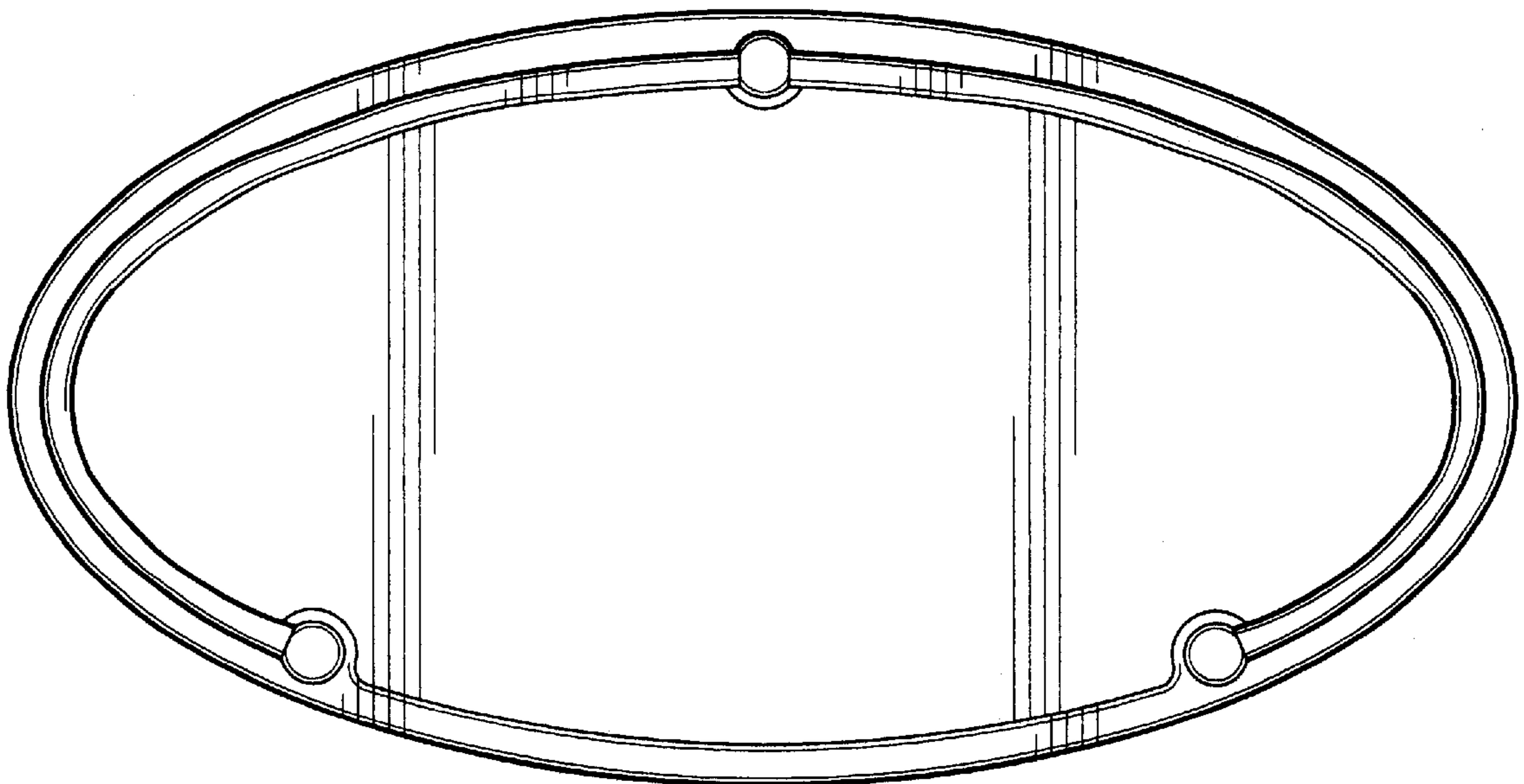


Fig-2

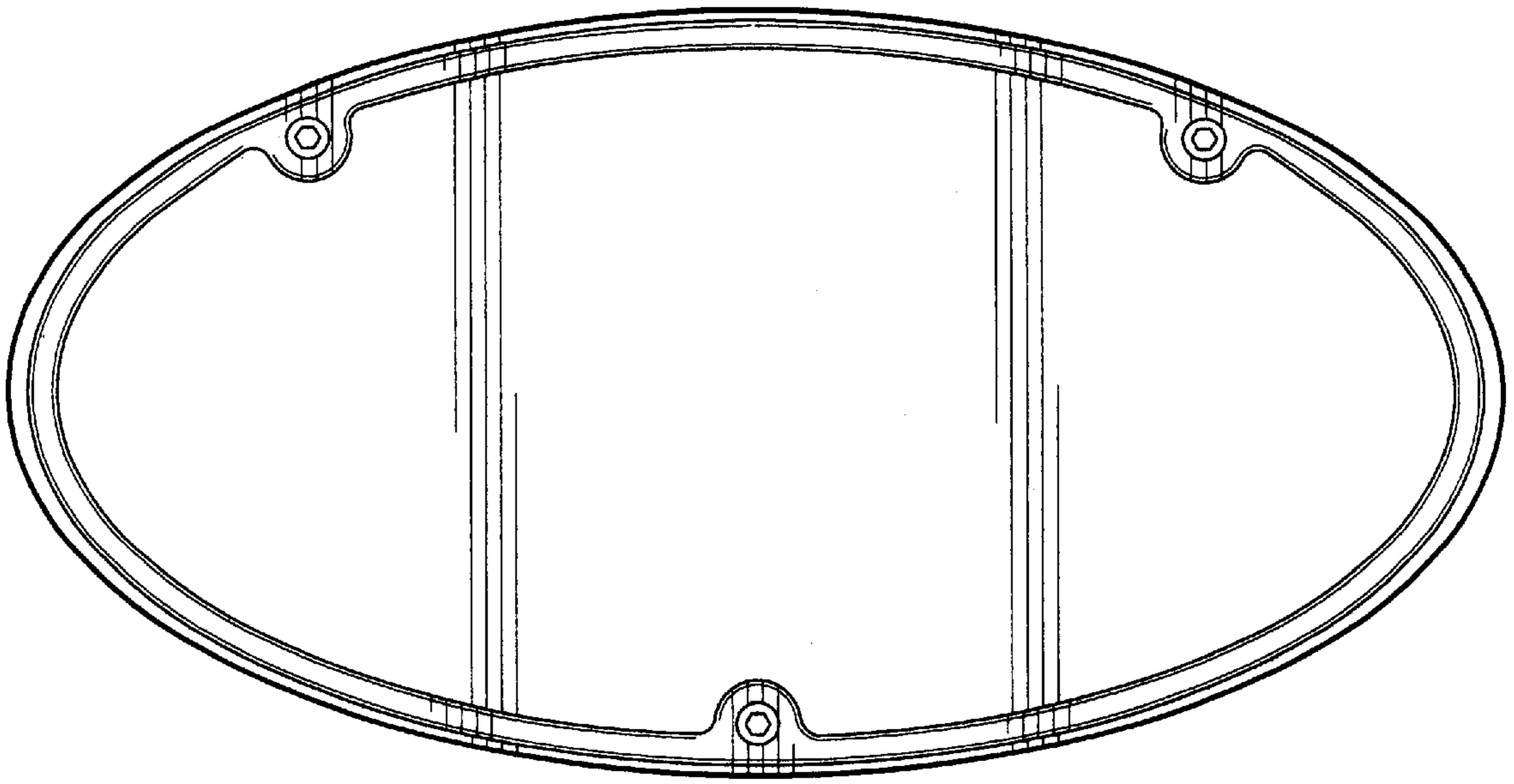


Fig-3

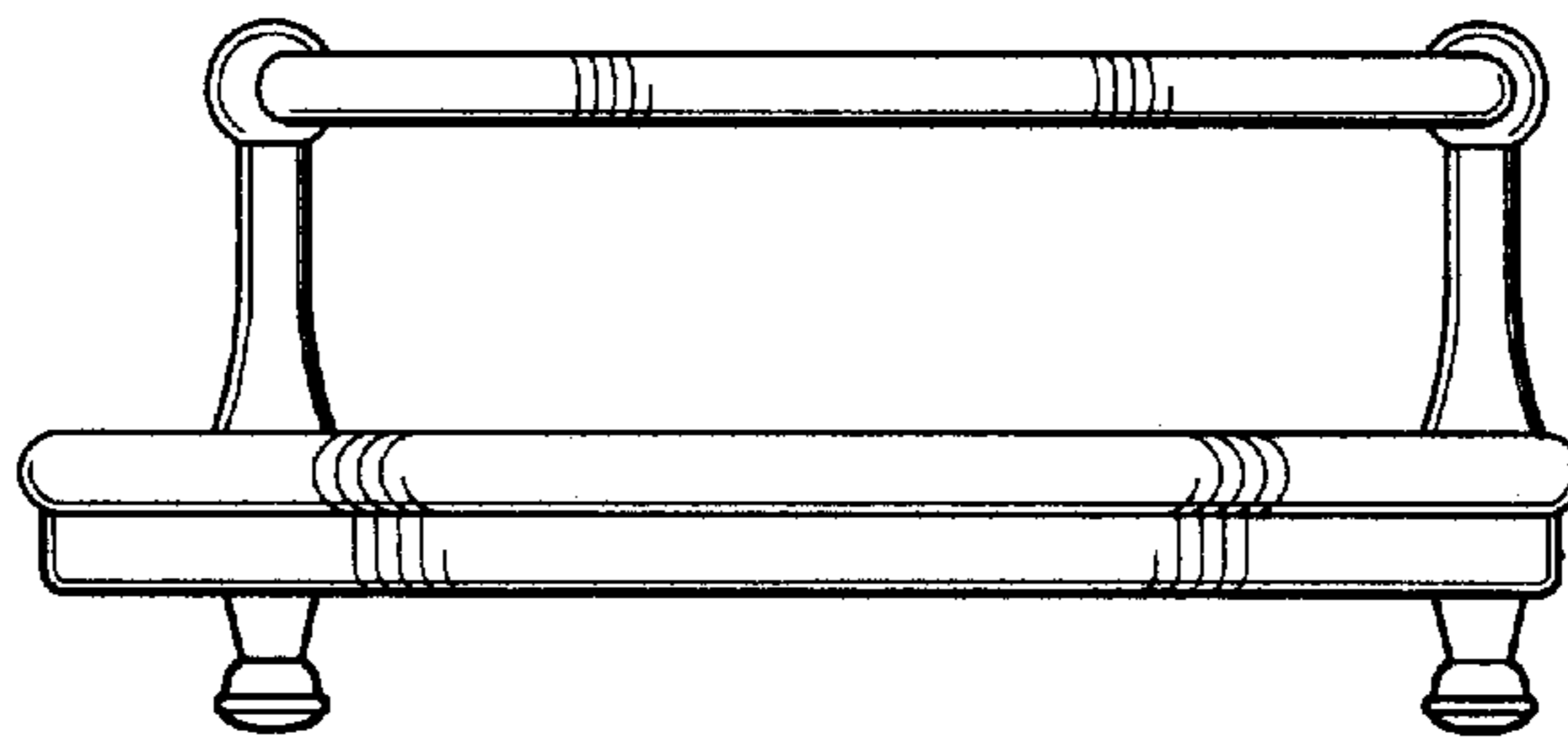


Fig-4

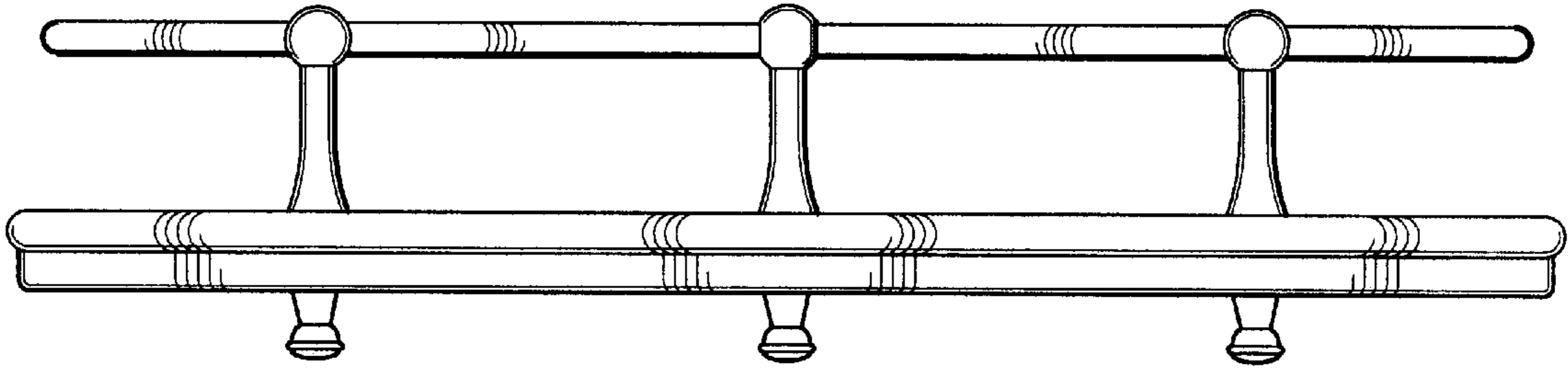


Fig-5

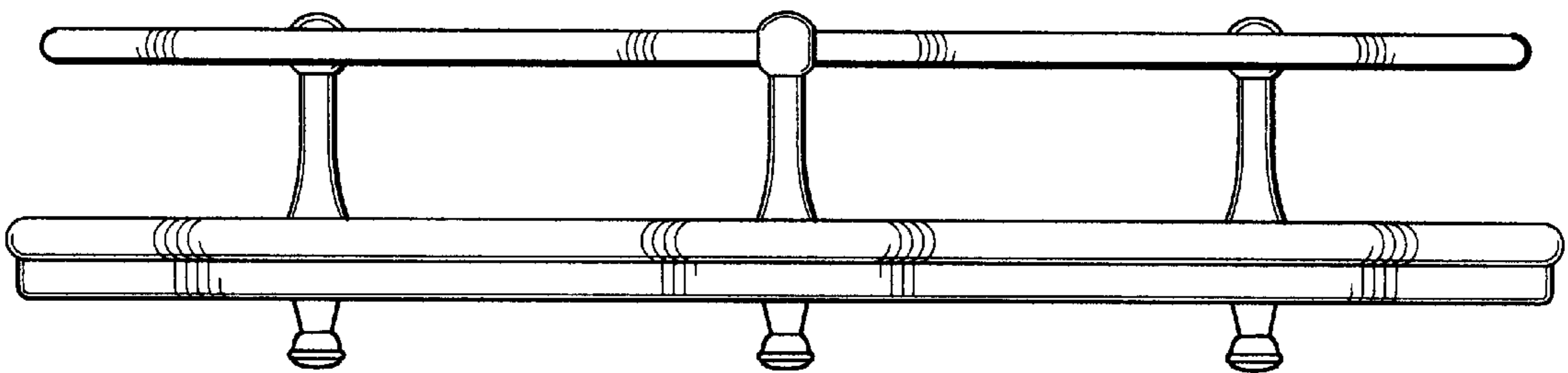


Fig-6