



US00D470976S

(12) **United States Design Patent**
Rizzuto, Jr.

(10) **Patent No.:** **US D470,976 S**

(45) **Date of Patent:** **** Feb. 25, 2003**

(54) **HAIR DRYER**

(75) Inventor: **Leandro Rizzuto, Jr.**, Sheridan, WY
(US)

(73) Assignee: **Conair CIP, Inc.**, Stamford, CT (US)

(**) Term: **14 Years**

(21) Appl. No.: **29/156,977**

(22) Filed: **Mar. 11, 2002**

(51) **LOC (7) Cl.** **28-03**

(52) **U.S. Cl.** **D28/13**

(58) **Field of Search** D28/13, 16, 12,
D28/15; 34/96-101; 392/380, 383, 384,
385

(56) **References Cited**

U.S. PATENT DOCUMENTS

| | | | | | | |
|-----------|----|---|---------|------------------|-------|---------|
| 3,978,314 | A | * | 8/1976 | Shimizu | | 34/97 |
| 4,479,311 | A | * | 10/1984 | Bianco | | 34/97 |
| D276,941 | S | | 12/1984 | Stansbury, Jr. | | |
| 4,711,988 | A | * | 12/1987 | Thaler et al. | | 34/97 |
| D323,039 | S | | 1/1992 | Lerner | | |
| D325,794 | S | | 4/1992 | Lerner | | |
| D350,217 | S | | 8/1994 | Rizzuto, Jr. | | |
| D359,579 | S | | 6/1995 | Mattis | | |
| D412,219 | S | | 7/1999 | Goetschi | | |
| D422,114 | S | | 3/2000 | Gudefin | | |
| D428,528 | S | | 7/2000 | Deguines | | |
| D432,716 | S | | 10/2000 | Goetschi | | |
| D436,227 | S | * | 1/2001 | Smal et al. | | D28/13 |
| D445,216 | S | * | 7/2001 | Spagnolo | | D28/13 |
| 6,285,828 | B1 | * | 9/2001 | Cafaro | | 392/385 |
| D455,858 | S | | 4/2002 | Micinilio et al. | | |

| | | | | | | |
|----------|---|---|--------|------------------|-------|--------|
| D455,859 | S | * | 4/2002 | Lai | | D28/13 |
| D456,562 | S | | 4/2002 | Micinilio et al. | | |
| D456,943 | S | | 5/2002 | Micinilio et al. | | |

FOREIGN PATENT DOCUMENTS

XH DM/029 268 * 4/1994

OTHER PUBLICATIONS

Modern Salon, Mar., 1987, p. 150, "Umberto" hair dryer #1700.*

Hong Kong Enterprise, Jun., 1995, p. 460, hair dryer PT-25.*

* cited by examiner

Primary Examiner—Lucy Lieberman

(74) *Attorney, Agent, or Firm*—Ohlandt, Greeley, Ruggiero & Perle L.L.P.

(57) **CLAIM**

The ornamental design for a hair dryer, as shown and described.

DESCRIPTION

FIG. 1 is a first side view of a hair dryer according to the present invention;

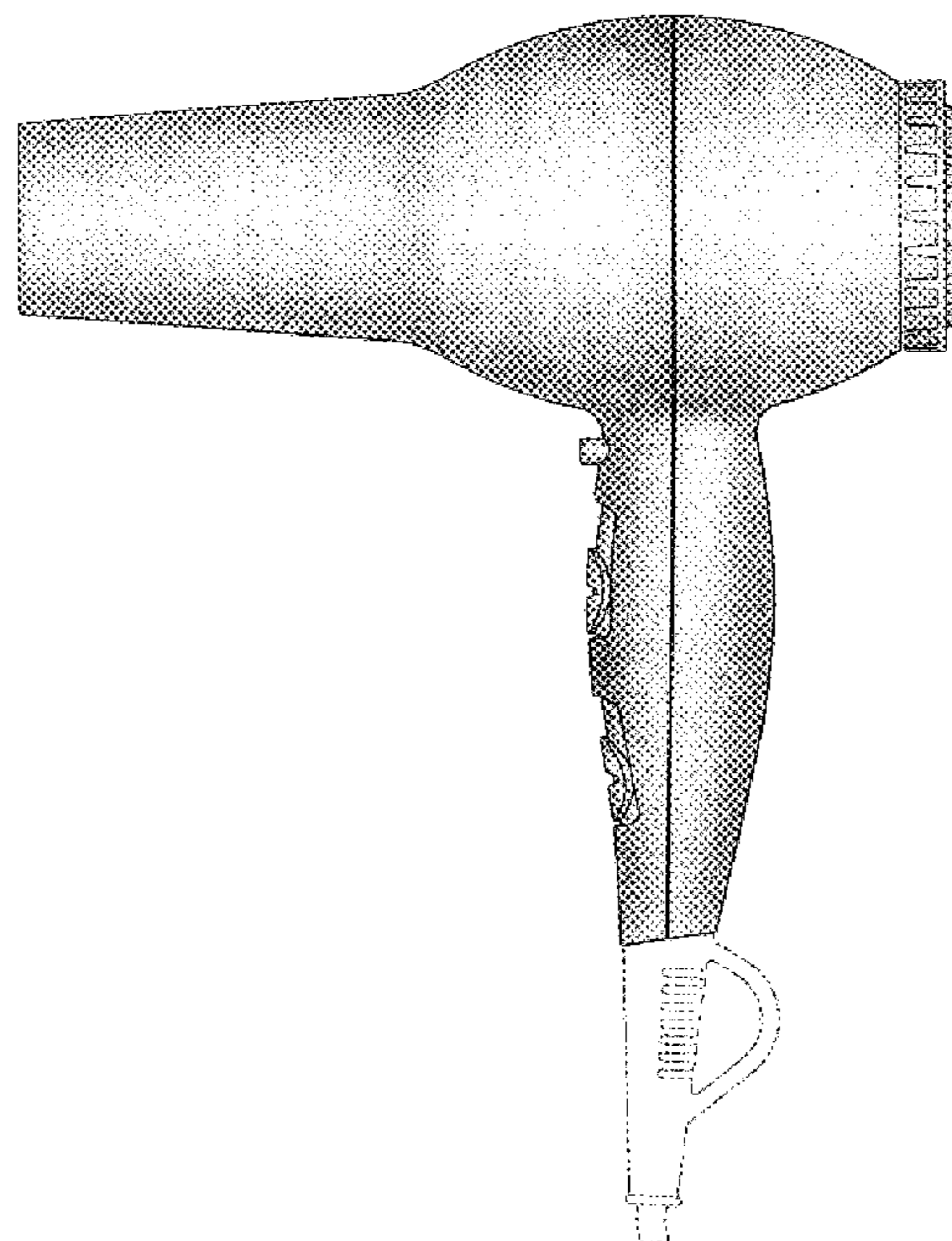
FIG. 2 is a second side view, rotated ninety degrees from the first side view, of the hair dryer of FIG. 1;

FIG. 3 is a third side view, opposite the second side view, of the hair dryer of FIG. 1; and,

FIG. 4 is a top view of the hair dryer of FIG. 1.

The broken lines shown in FIGS. 1, 2 and 3 are for illustrative purposes only and do not form part of the claimed design.

1 Claim, 3 Drawing Sheets



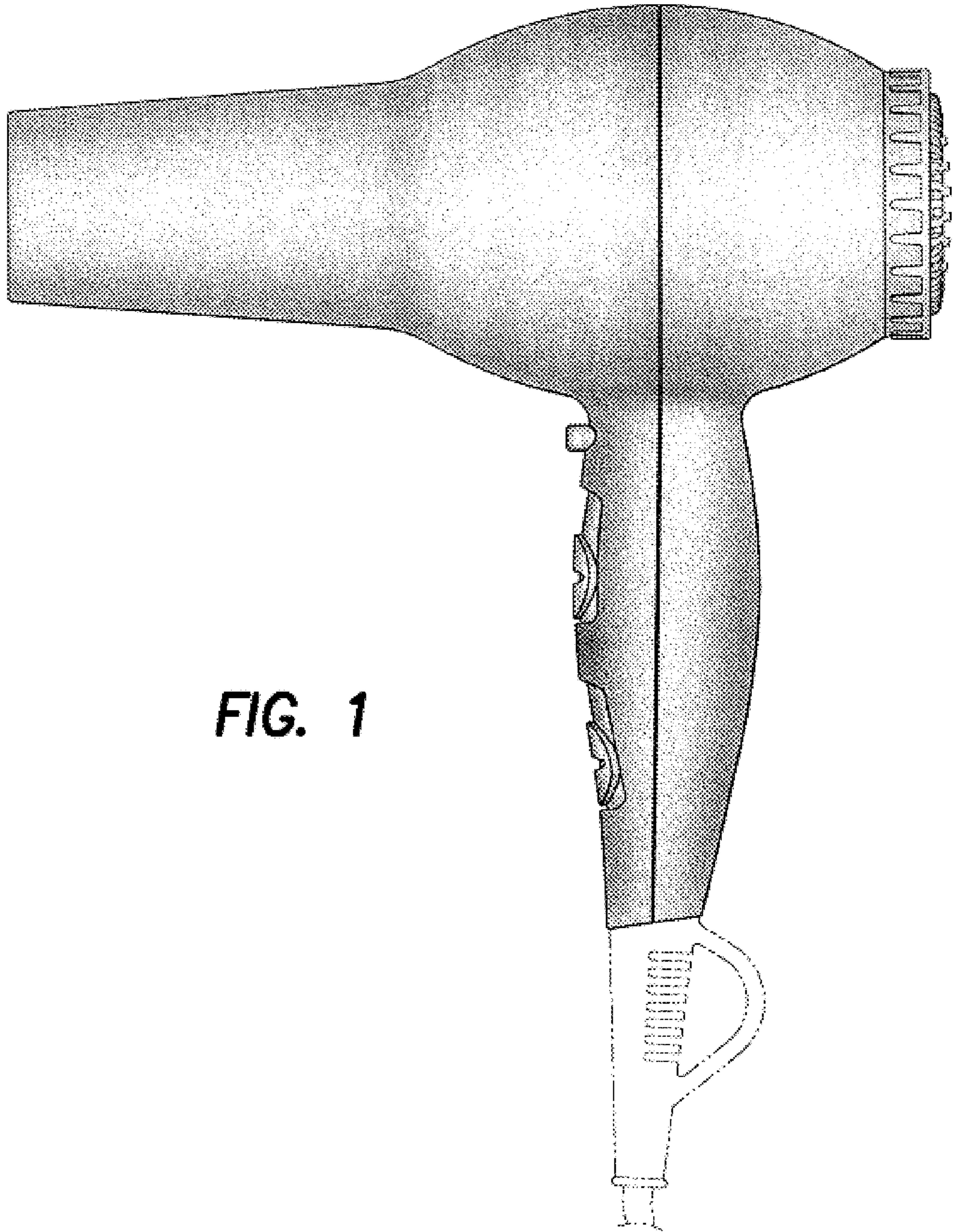


FIG. 1

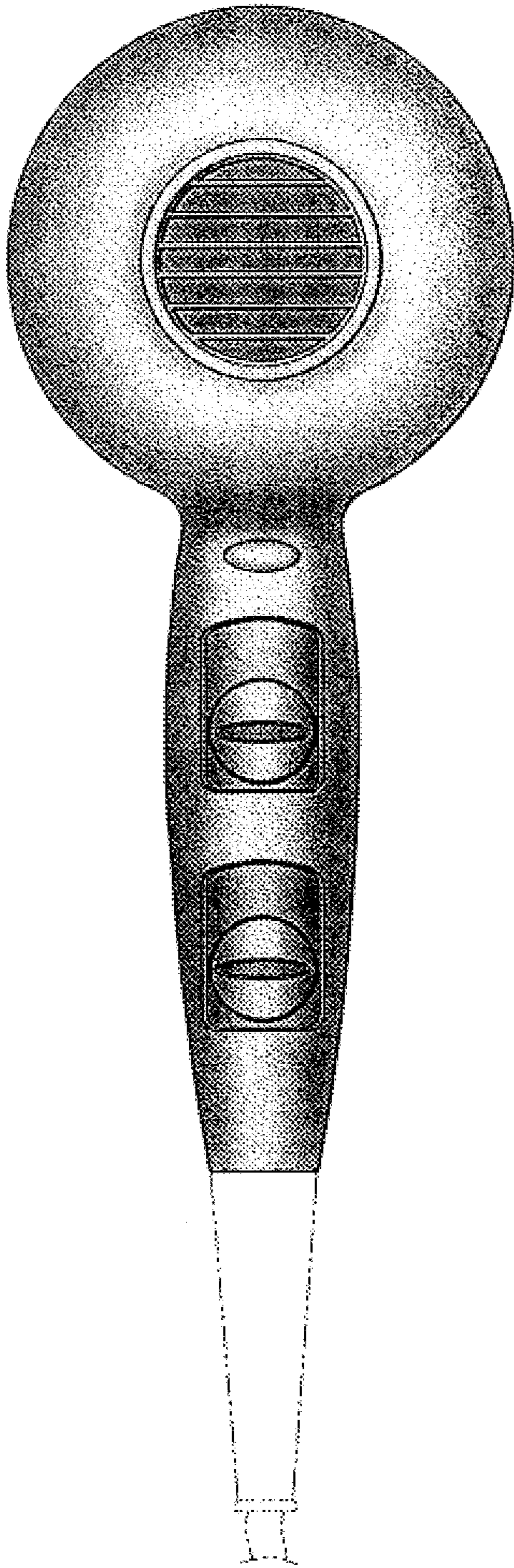


FIG. 2

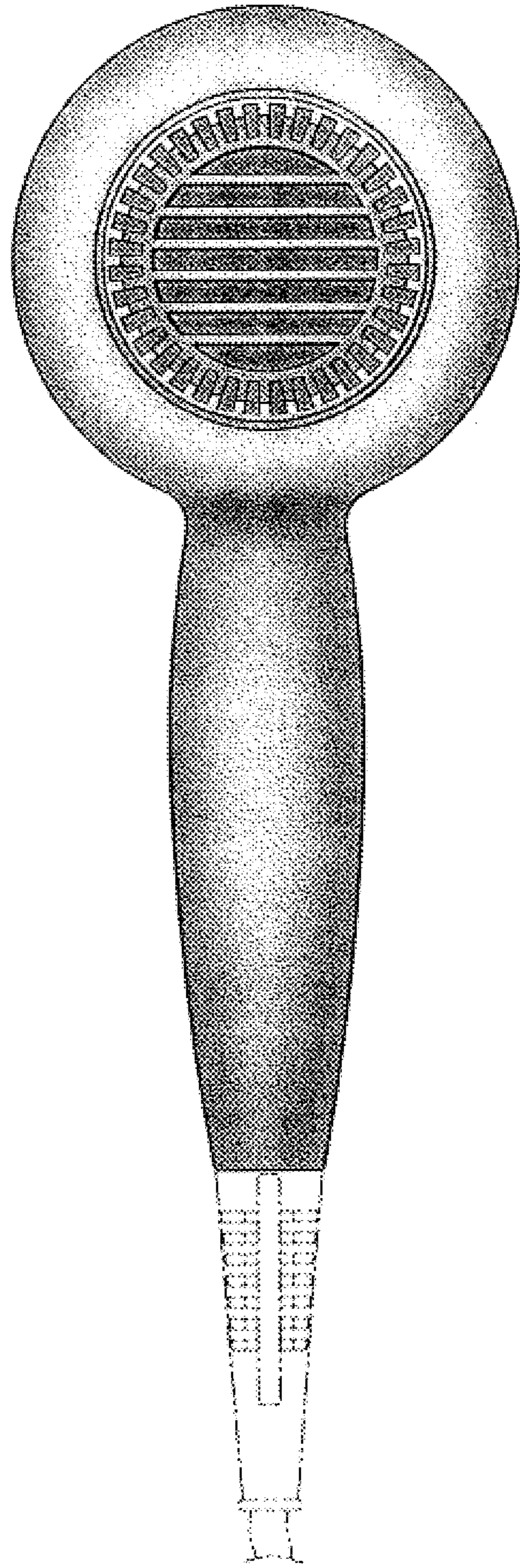


FIG. 3

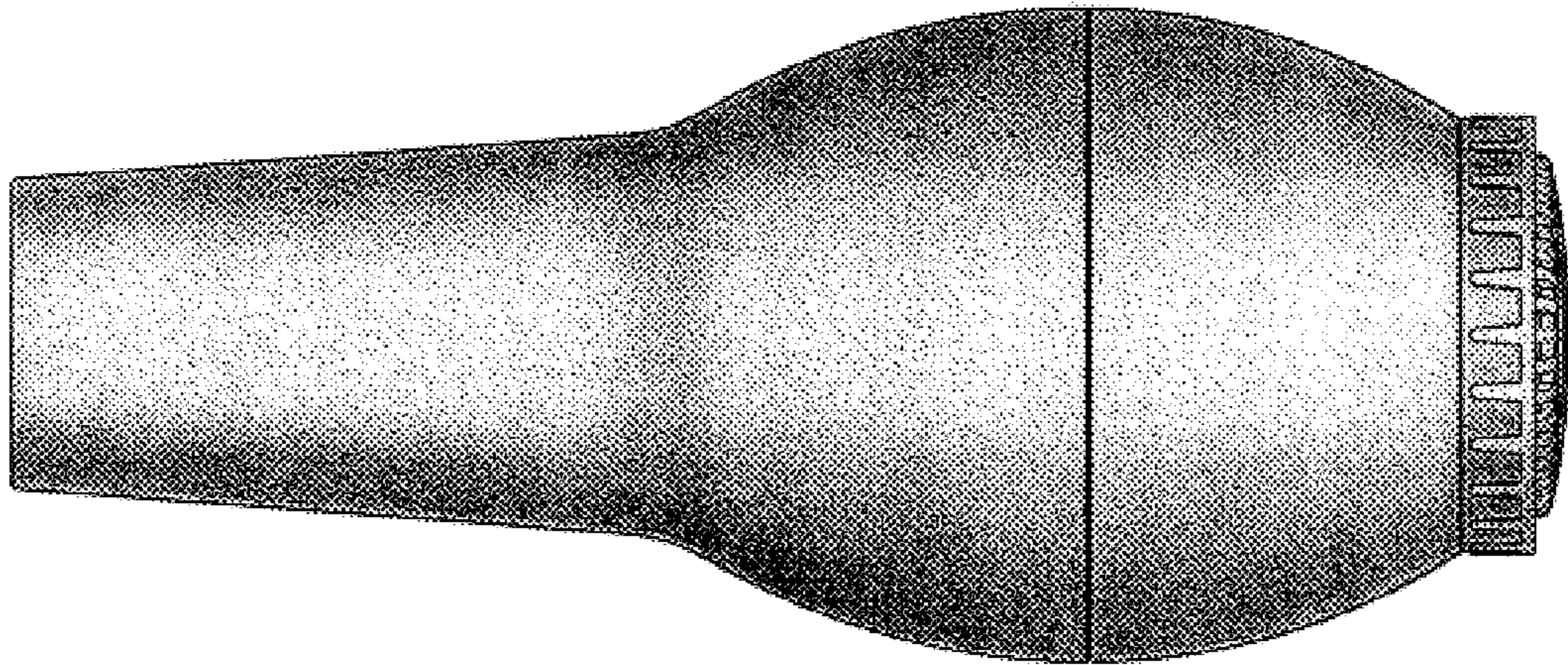


FIG. 4