



US00D470970S

(12) **United States Design Patent**  
**Huang**

(10) **Patent No.:** **US D470,970 S**

(45) **Date of Patent:** **\*\* Feb. 25, 2003**

(54) **ROUND DECORATIVE REFLECTOR FOR VEHICLE LIGHT WITH MULTIPLE LED'S**

*Primary Examiner*—Jennifer Rivard  
(74) *Attorney, Agent, or Firm*—Thomas I. Rozsa; Tony D. Chen

(75) **Inventor:** **Nan Huang Huang**, Rancho Palos Verdes, CA (US)

(73) **Assignee:** **Grand General Accessories Manufacturing Inc.**, Compton, CA (US)

(\*\*) **Term:** **14 Years**

(57) **CLAIM**

The ornamental design for a round decorative reflector for vehicle light with multiple LED's, as shown and described.

(21) **Appl. No.:** **29/167,986**

(22) **Filed:** **Sep. 24, 2002**

(51) **LOC (7) Cl.** ..... **26-99**

(52) **U.S. Cl.** ..... **D26/123**

(58) **Field of Search** ..... 362/341, 346,  
362/349, 517, 518; D26/118, 122-124,  
28, 36

**DESCRIPTION**

FIG. 1 is a perspective view of a round decorative reflector for vehicle light with multiple LED's, showing my new design;

FIG. 2 is a top plan view thereof;

FIG. 3 is a bottom plan view thereof;

FIG. 4 is a side elevational view thereof, the other side being identical;

FIG. 5 is a front end elevational view thereof, the rear end being identical; and,

FIG. 6 is a perspective view thereof, showing my new design in its position of use, it being understood that the broken line (showing the housing and lens of a vehicle lighting) is for illustrative purposes only and forms no part of the claimed design.

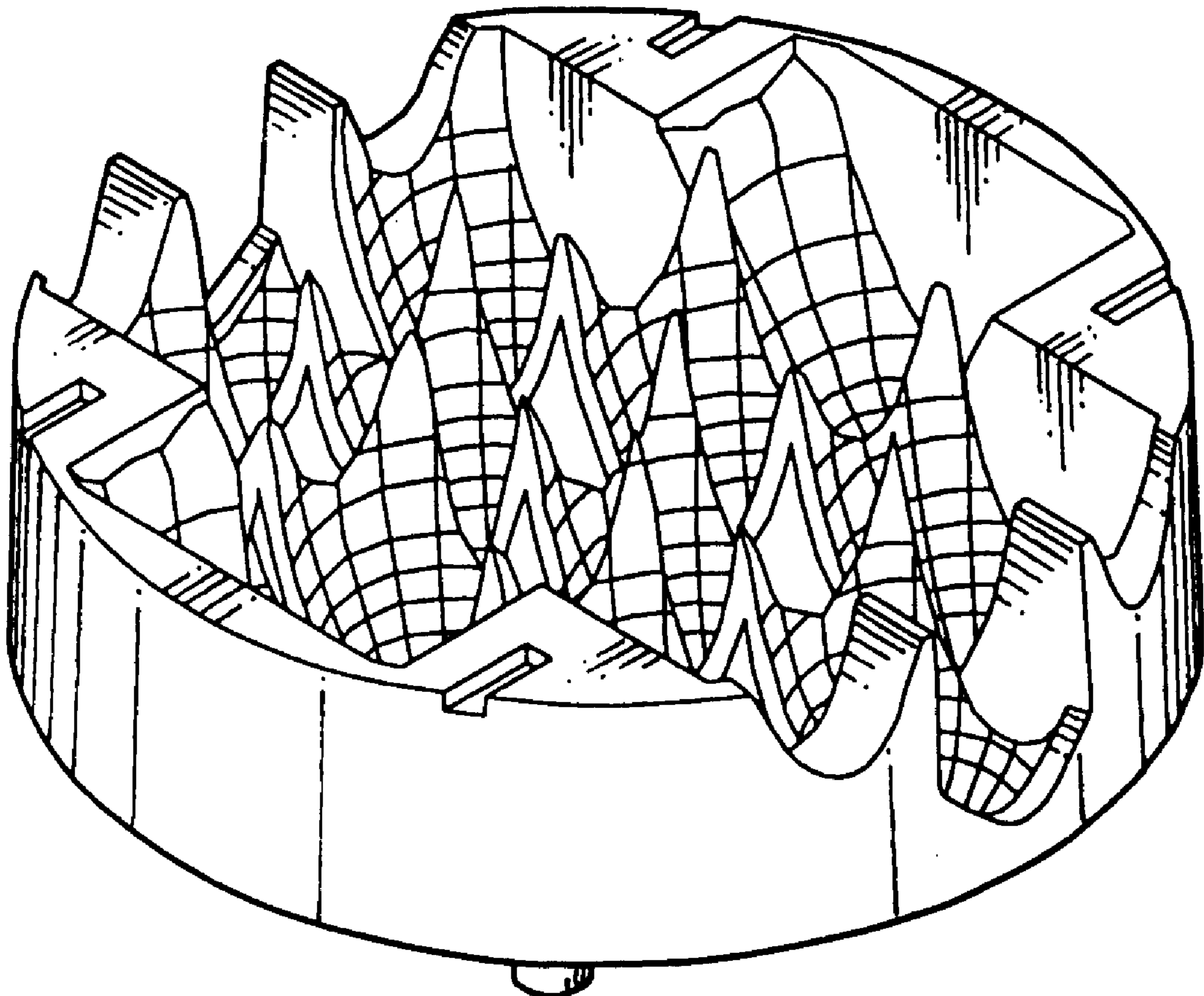
(56) **References Cited**

**U.S. PATENT DOCUMENTS**

5,816,694 A \* 10/1998 Ideker et al. .... 362/346  
6,431,738 B1 \* 8/2002 Kondo et al. .... 362/517

\* cited by examiner

**1 Claim, 2 Drawing Sheets**



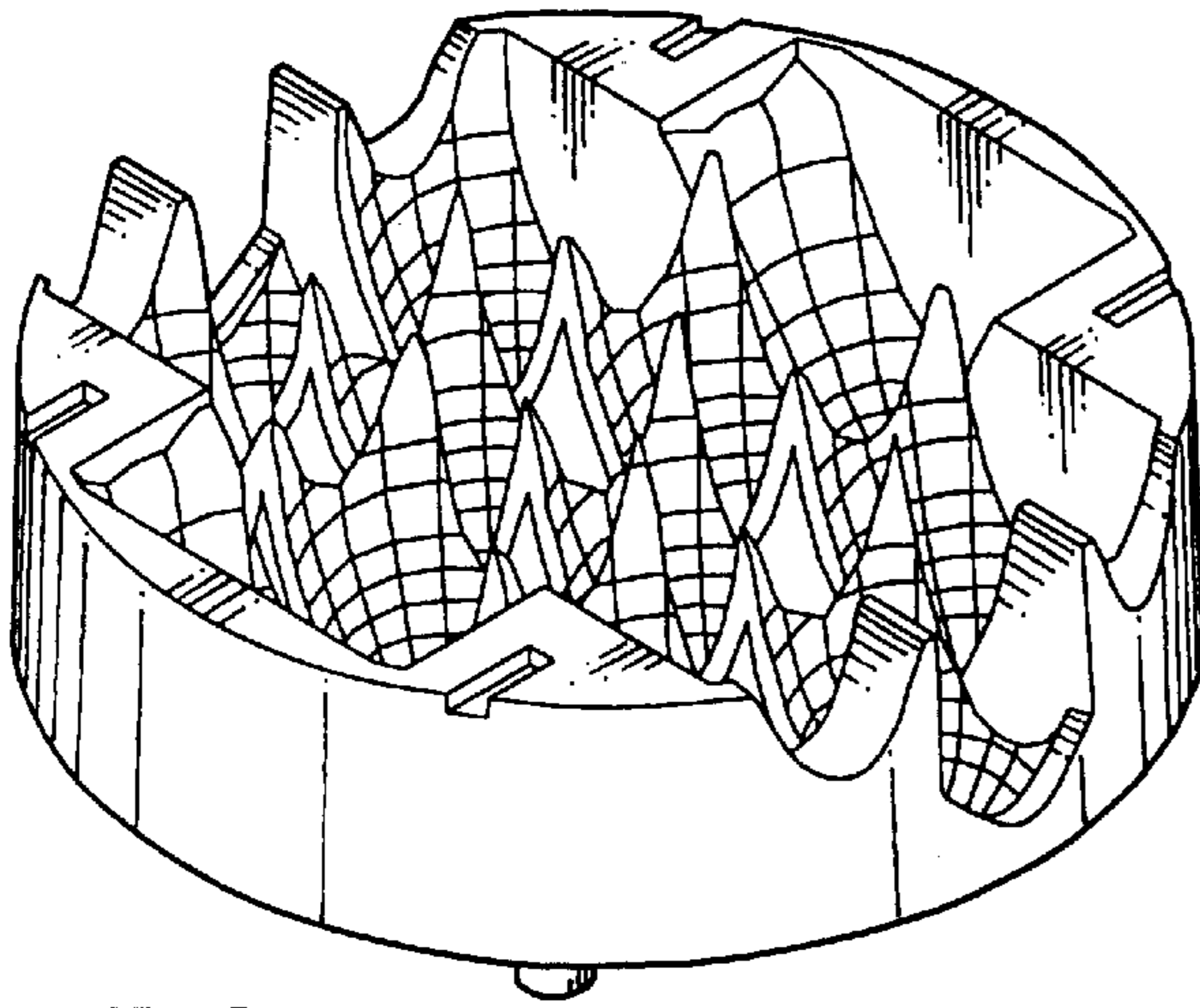


FIG. 1

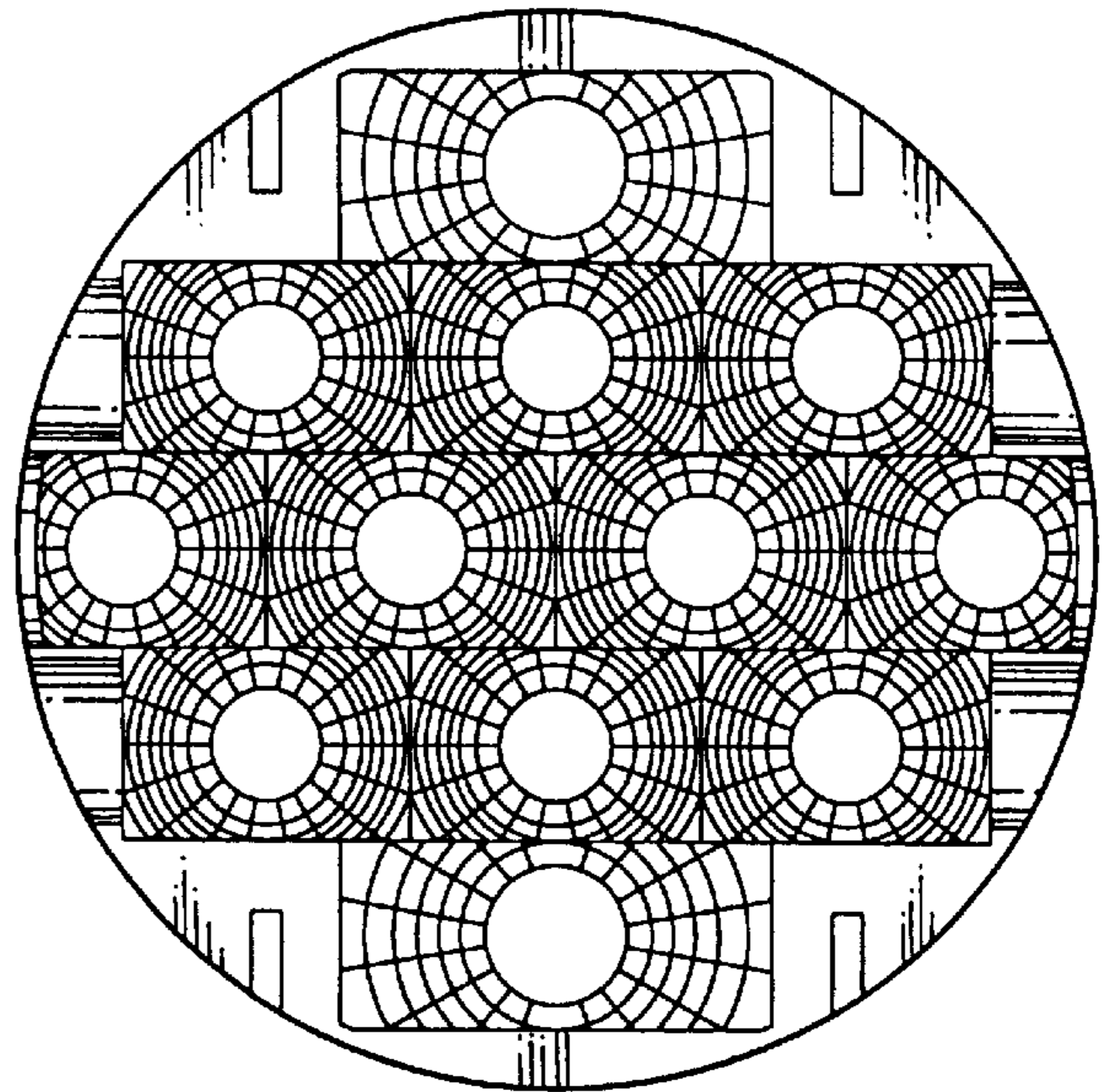


FIG. 2

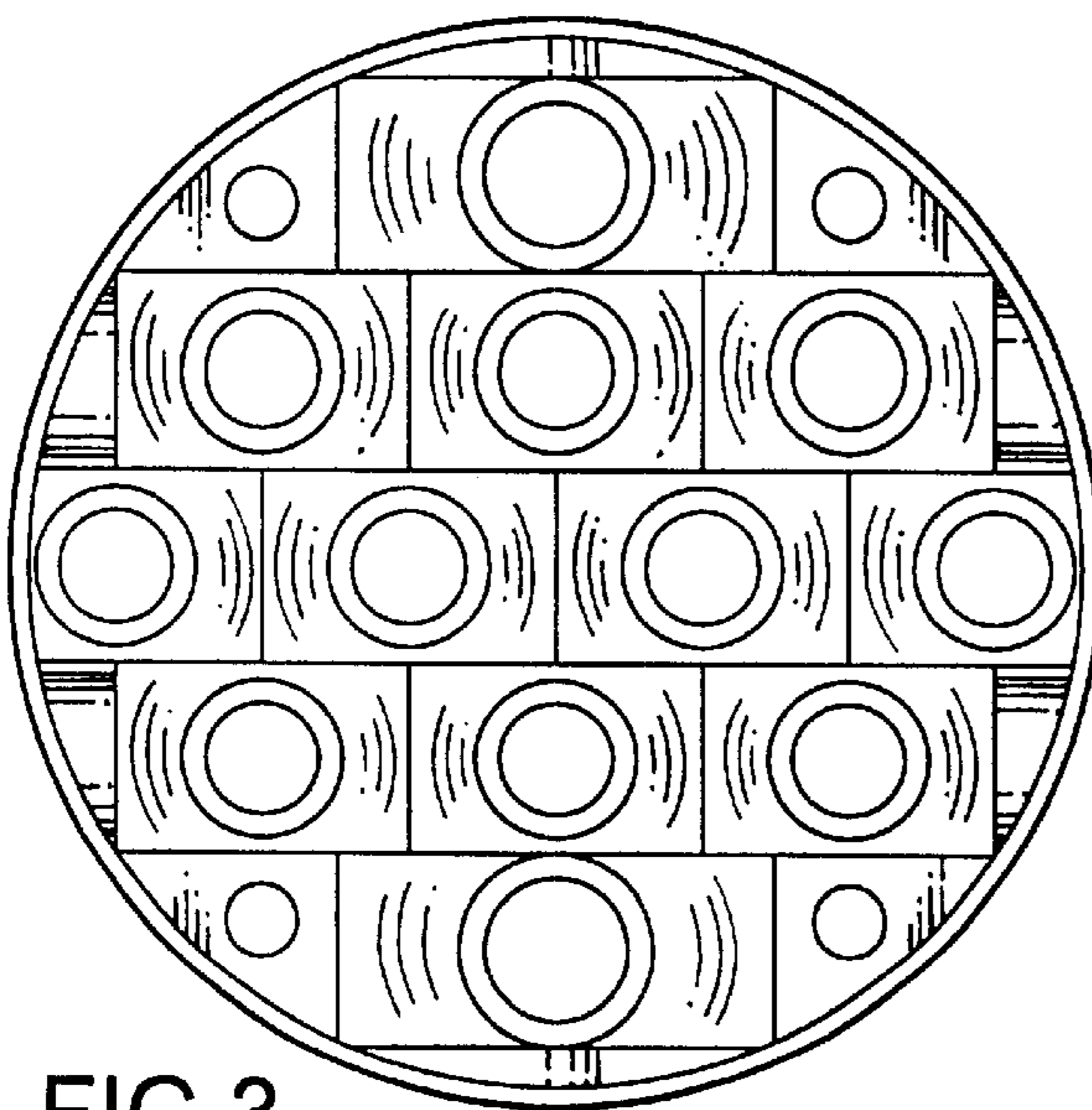


FIG. 3

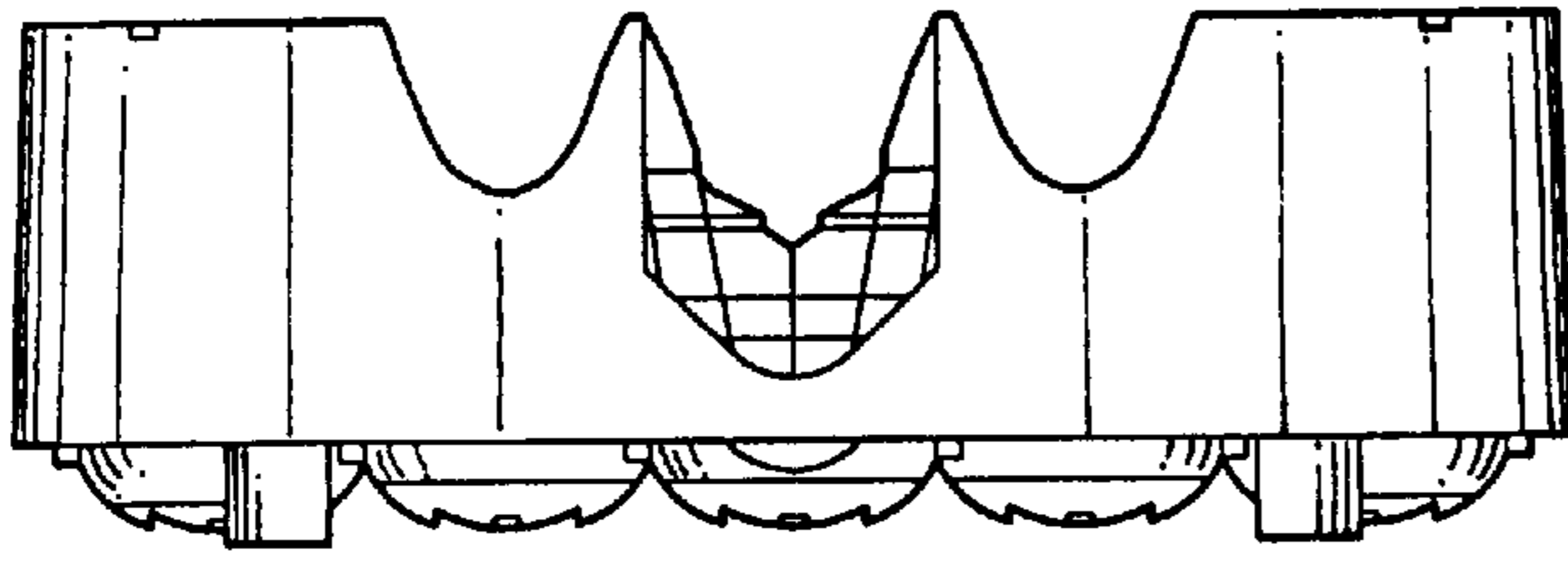


FIG. 4

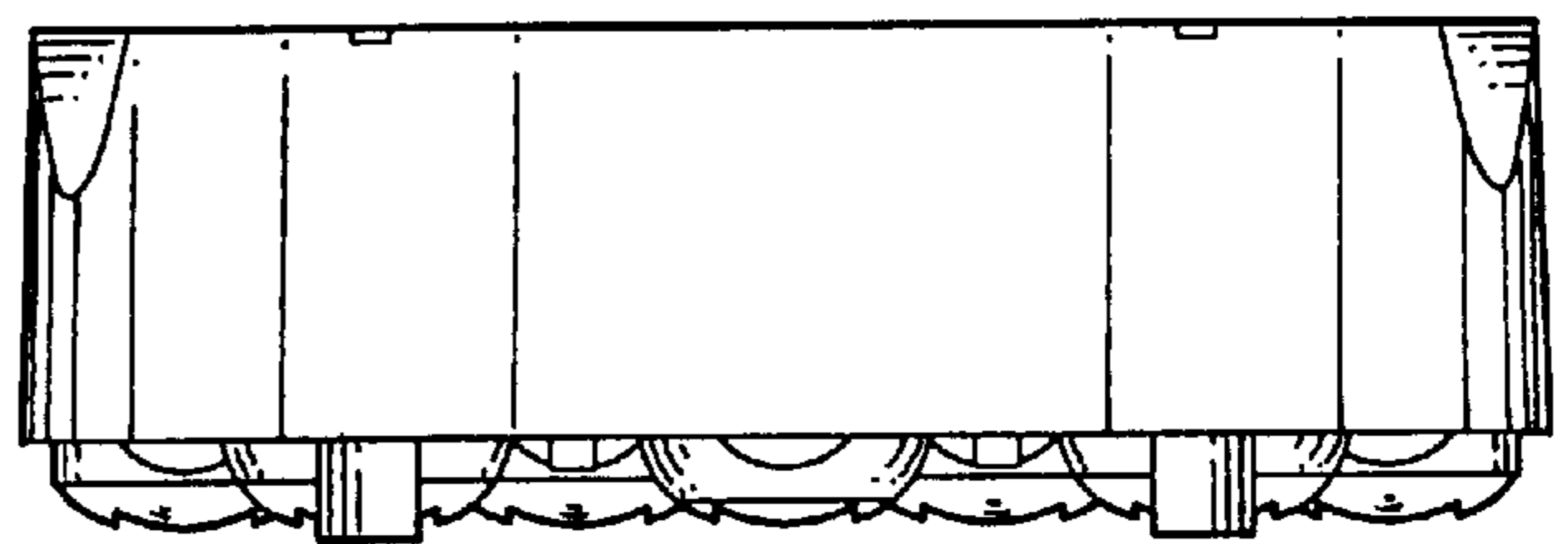


FIG. 5

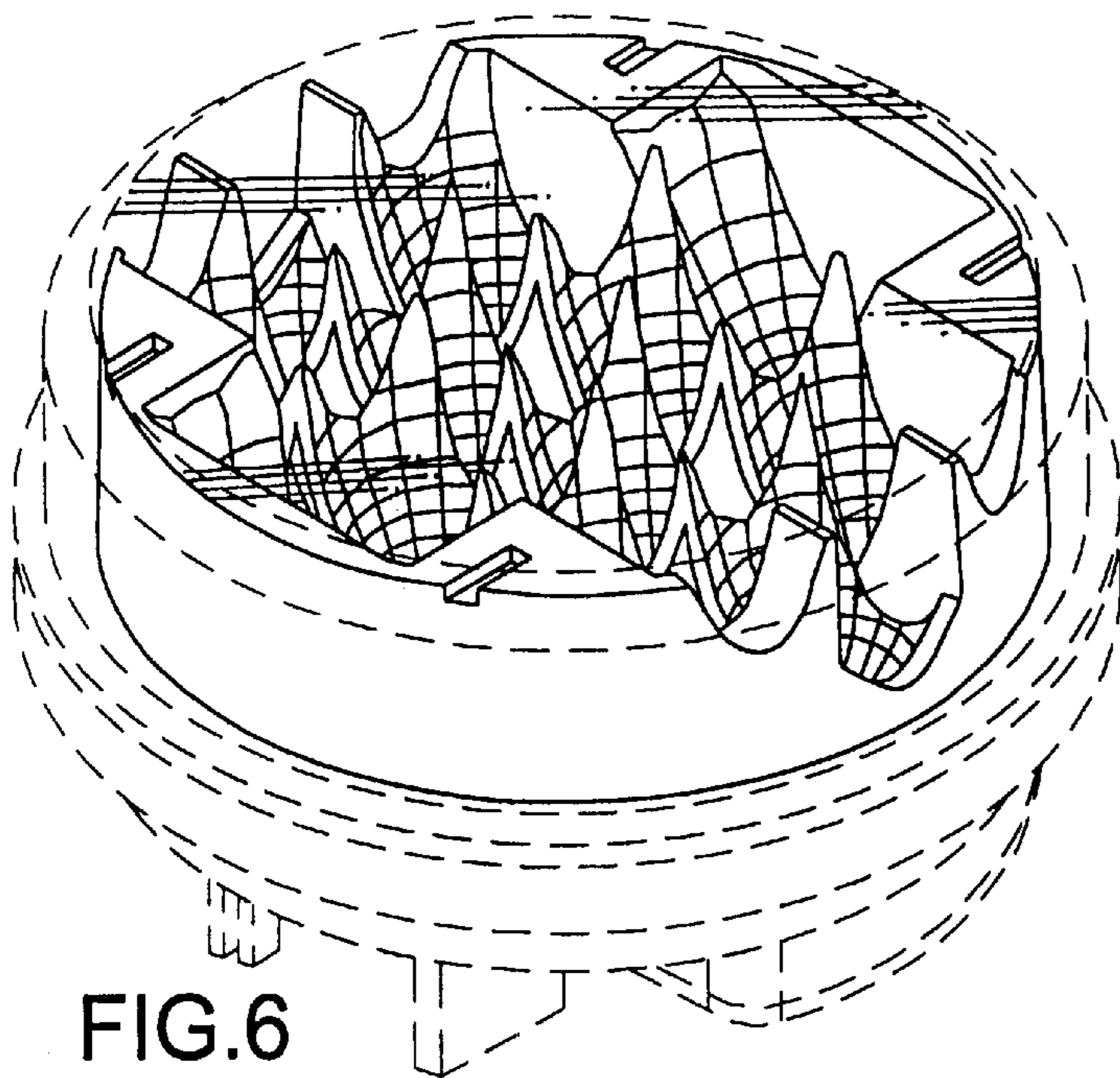


FIG. 6