



US00D470967S

(12) **United States Design Patent**
Rose

(10) **Patent No.:** **US D470,967 S**

(45) **Date of Patent:** **** Feb. 25, 2003**

(54) **LAMP FIXTURE**

(75) **Inventor:** **Jeffrey Rose**, Hickory, NC (US)

(73) **Assignee:** **Robert Abbey, Inc.**, Hickory, NC (US)

(**) **Term:** **14 Years**

(21) **Appl. No.:** **29/146,744**

(22) **Filed:** **Aug. 15, 2001**

(51) **LOC (7) Cl.** **26-03**

(52) **U.S. Cl.** **D26/81**

(58) **Field of Search** D26/72, 80-92,
D26/142-144, 152, 155; 362/147, 404-408,
432

(56) **References Cited**

U.S. PATENT DOCUMENTS

- D40,218 S * 8/1909 Pitner
- D40,219 S * 8/1909 Pitner
- D40,220 S * 8/1909 Pitner
- D42,580 S * 6/1912 Hotchkin
- D55,390 S * 6/1920 Maerz

- D64,522 S * 4/1924 Wolter
- D104,848 S * 6/1937 Goodman
- D418,242 S * 12/1999 Diaz-Azcuy D26/84
- D435,133 S * 12/2000 Miranda D26/84
- D437,075 S * 1/2001 Chen D26/81

OTHER PUBLICATIONS

Taiwan Lighting Feb. 1999 p. 174, wall lamp in lower left photo.*

* cited by examiner

Primary Examiner—Alan P. Douglas

Assistant Examiner—Clare E. Heflin

(74) *Attorney, Agent, or Firm*—Kilpatrick Stockton LLP

(57) **CLAIM**

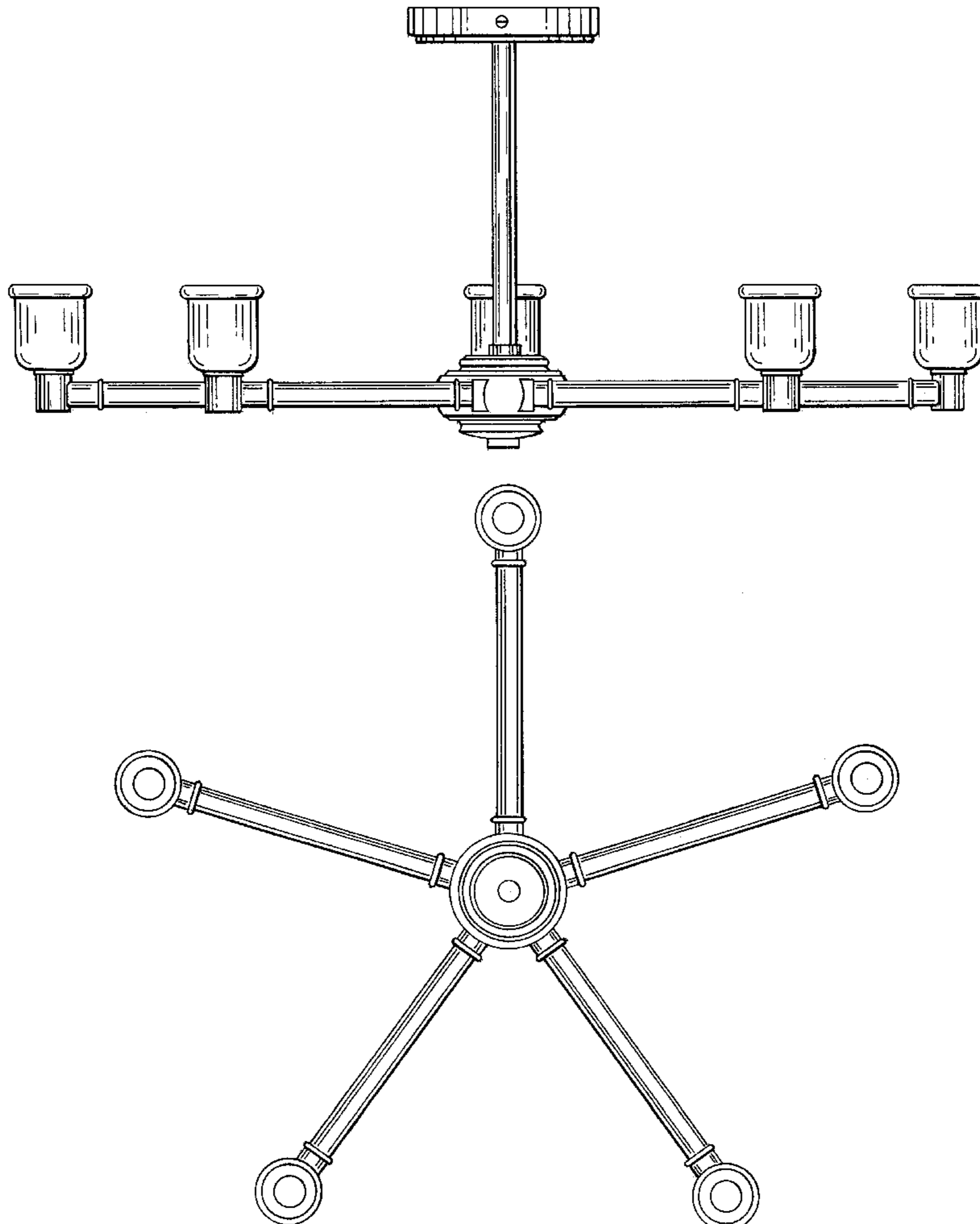
I claim the ornamental design for a lamp fixture, as shown.

DESCRIPTION

FIG. 1 is a side elevational view of the lamp fixture of my new design; and,

FIG. 2 is a top plan view of the lamp fixture of FIG. 1.

1 Claim, 2 Drawing Sheets



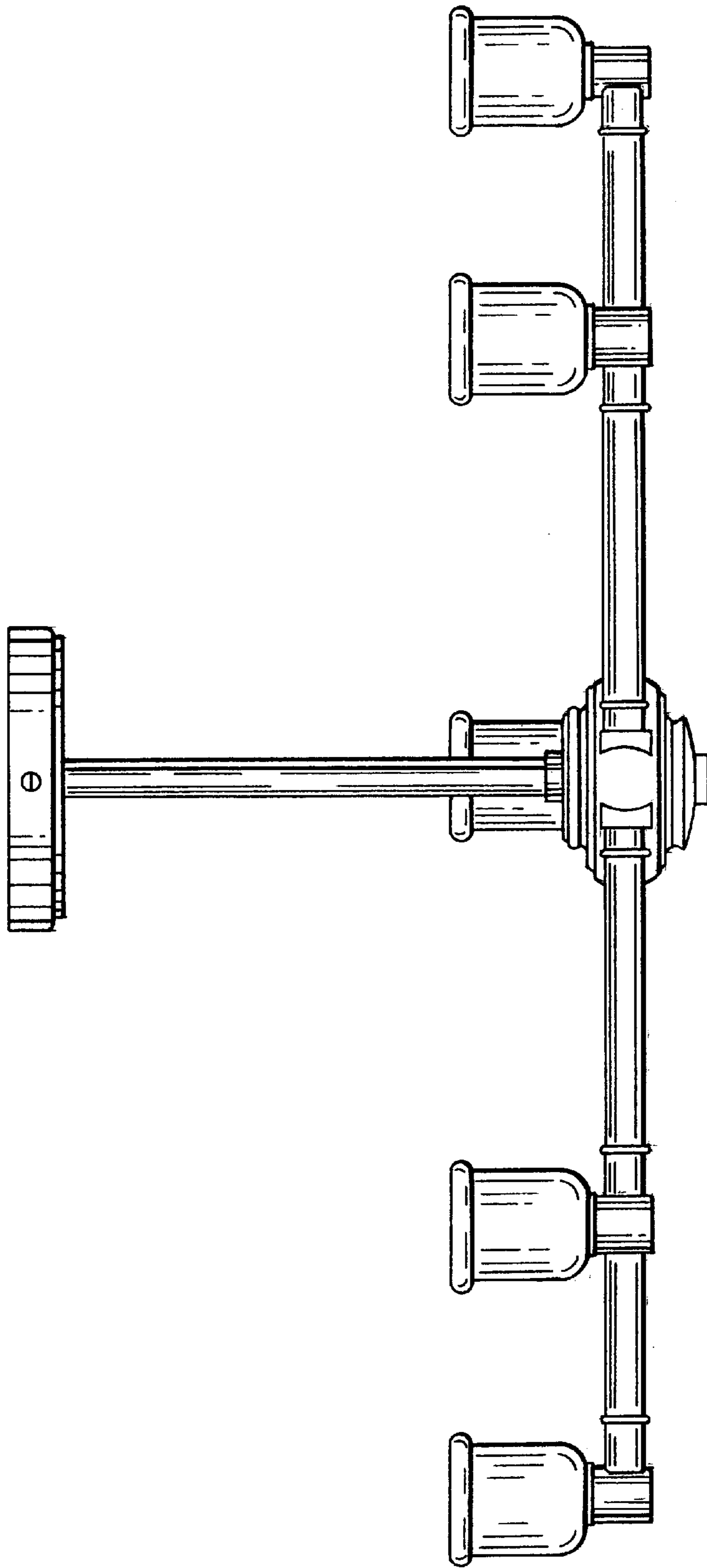


FIG. 1

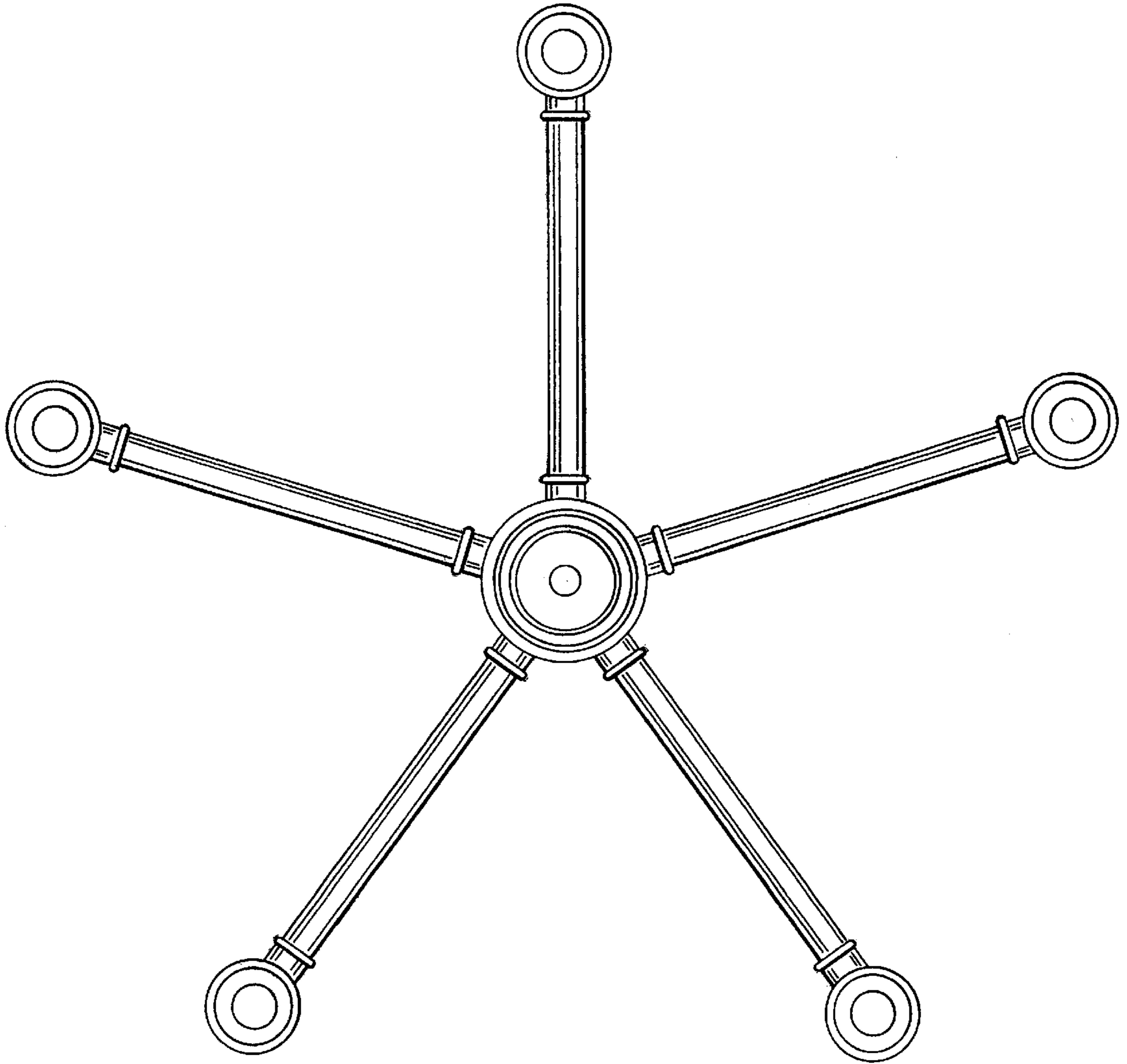


FIG. 2