



US00D470966S

(12) **United States Design Patent**
Rhee

(10) **Patent No.:** **US D470,966 S**

(45) **Date of Patent:** **** Feb. 25, 2003**

(54) **MOISTURE RESISTANT LIGHT FIXTURE**

(75) **Inventor:** **Shin W. Rhee**, Northridge, CA (US)

(73) **Assignee:** **Thin-Lite Corporation**, Camarillo, CA (US)

(**) **Term:** **14 Years**

(21) **Appl. No.:** **29/157,456**

(22) **Filed:** **Mar. 20, 2002**

(51) **LOC (7) Cl.** **26-03**

(52) **U.S. Cl.** **D26/76**

(58) **Field of Search** D26/72, 75-79;
362/217-225

D435,131 S 12/2000 Szymanek
D437,959 S * 2/2001 Lewis D26/76
D439,349 S 3/2001 Fahmian
D442,722 S 5/2001 Fahmian

* cited by examiner

Primary Examiner—Alan P. Douglas

Assistant Examiner—Clare E. Heflin

(74) *Attorney, Agent, or Firm*—Fulwider Patton Lee & Utecht, LLP

(57) **CLAIM**

The ornamental design for a moisture resistant light fixture, as shown and described.

DESCRIPTION

FIG. 1 is a bottom perspective view showing my new design broken away for ease of illustration only;

FIG. 2 is a front view thereof;

FIG. 3 is a back view thereof;

FIG. 4 is a left-hand end view thereof;

FIG. 5 is a right-hand end view thereof;

FIG. 6 is a top plan view thereof in reduced scale; and,

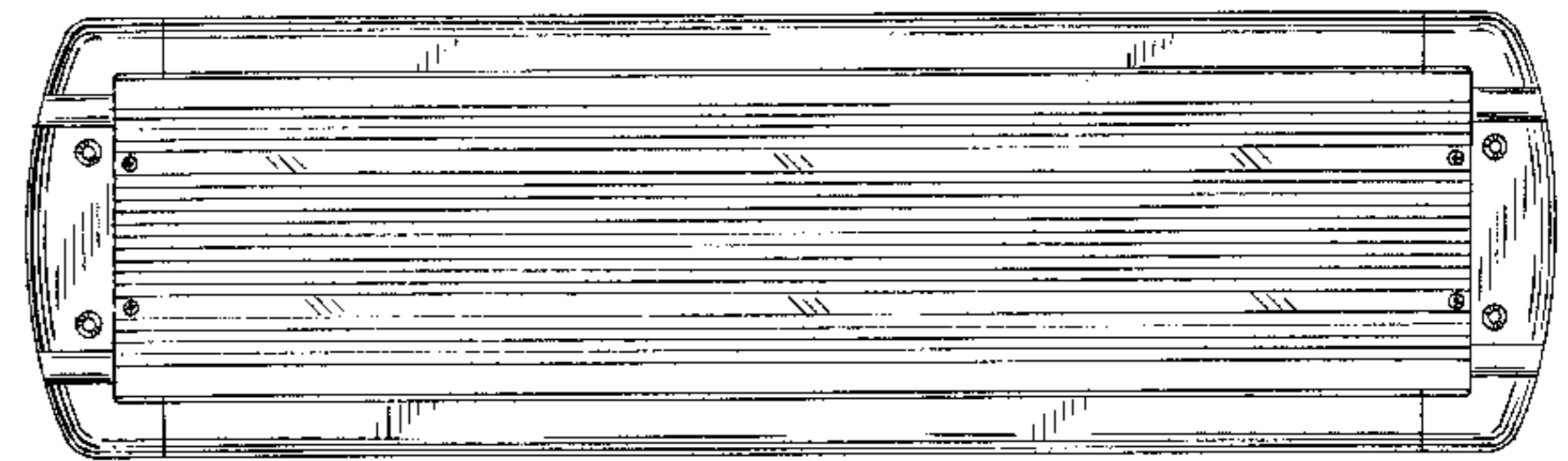
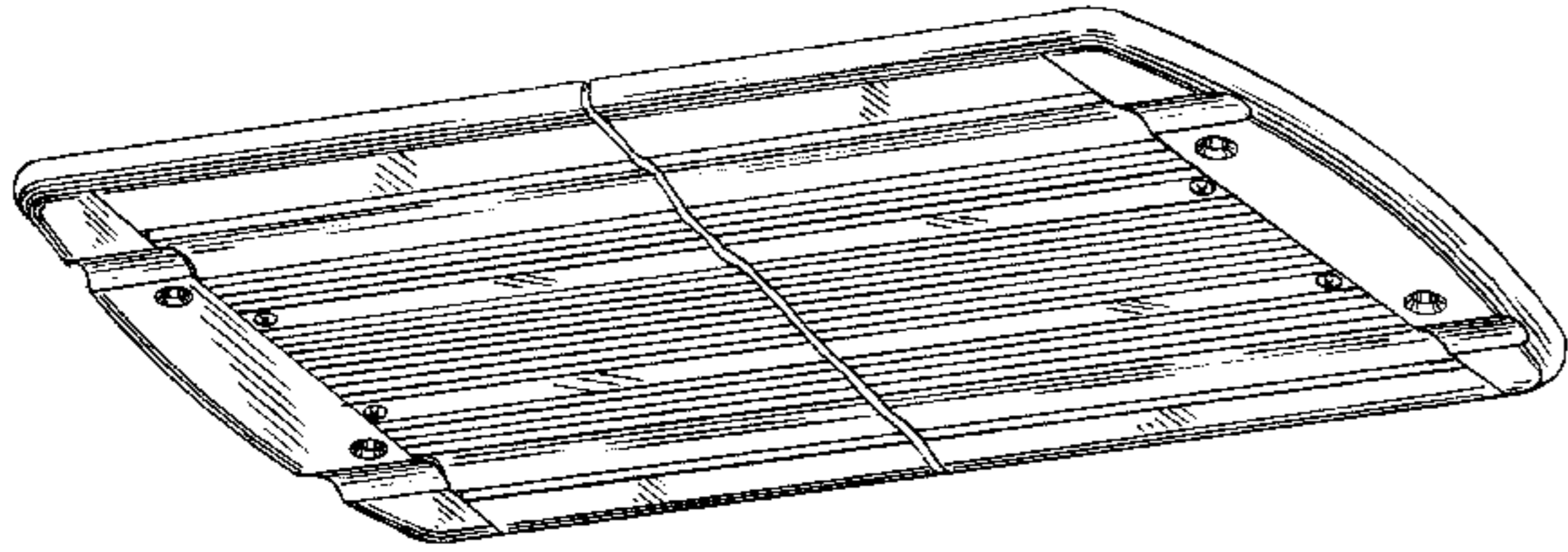
FIG. 7 is a bottom plan view thereof in reduced scale.

(56) **References Cited**

U.S. PATENT DOCUMENTS

D174,975 S * 6/1955 Agnew et al. D26/67
4,122,511 A * 10/1978 Petersen 362/223
D308,259 S * 5/1990 Burkarth D26/78
D320,283 S * 9/1991 Burkarth D26/121
D432,255 S 10/2000 Fahmian
D432,697 S 10/2000 Fahmian
D433,524 S 11/2000 Szymanek
D434,175 S 11/2000 Fahmian

1 Claim, 3 Drawing Sheets



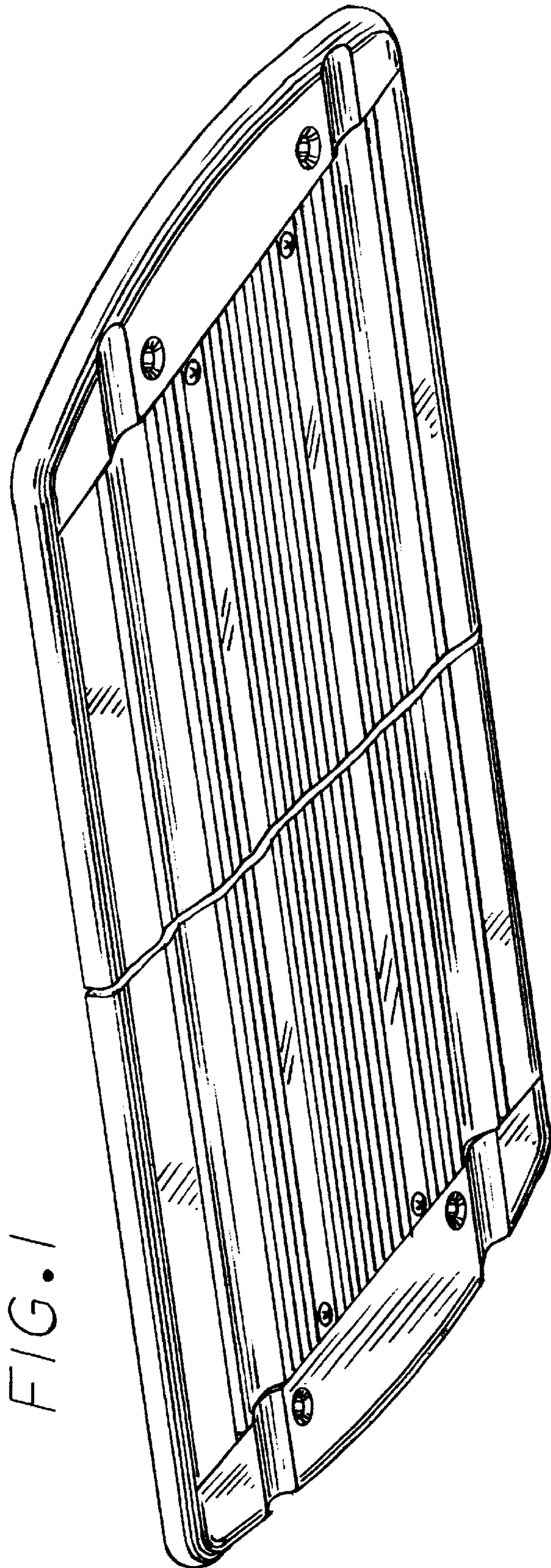


FIG. 1

FIG. 2

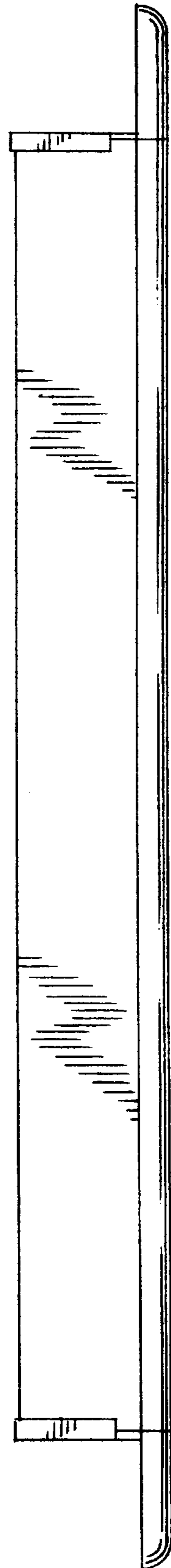


FIG. 3

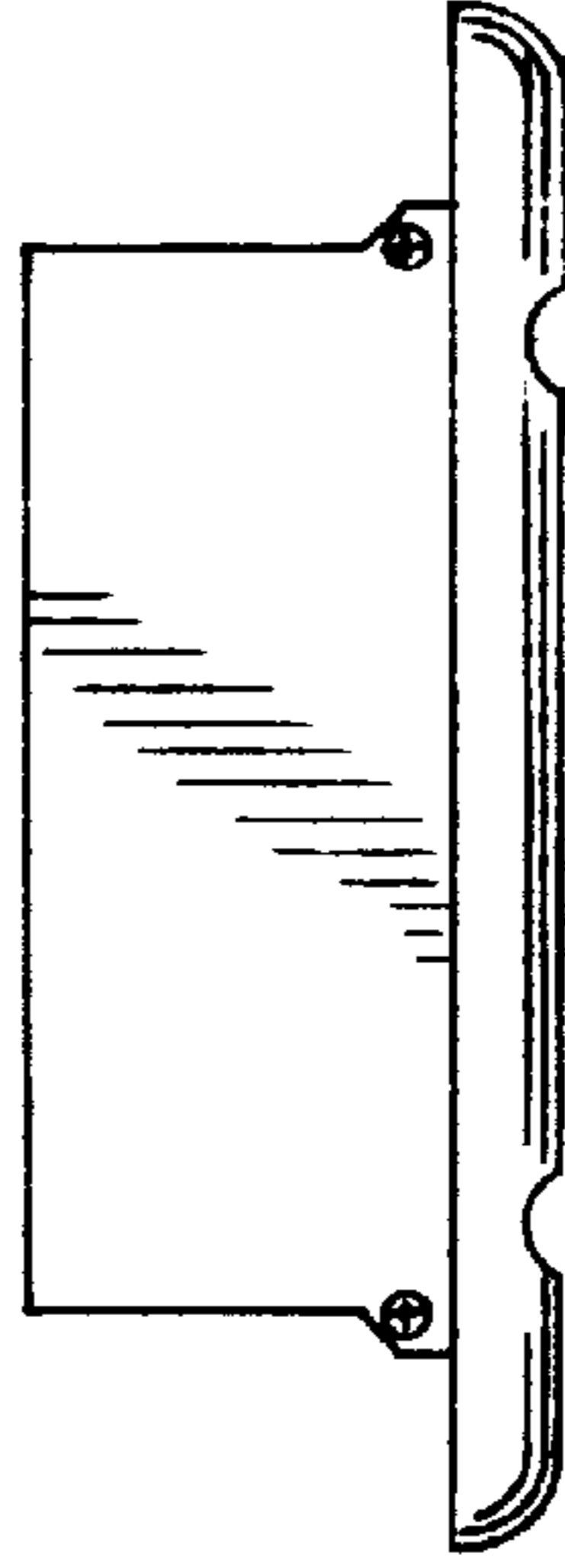
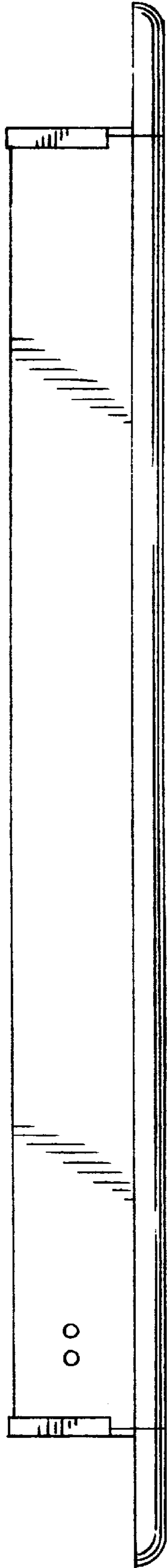


FIG. 5

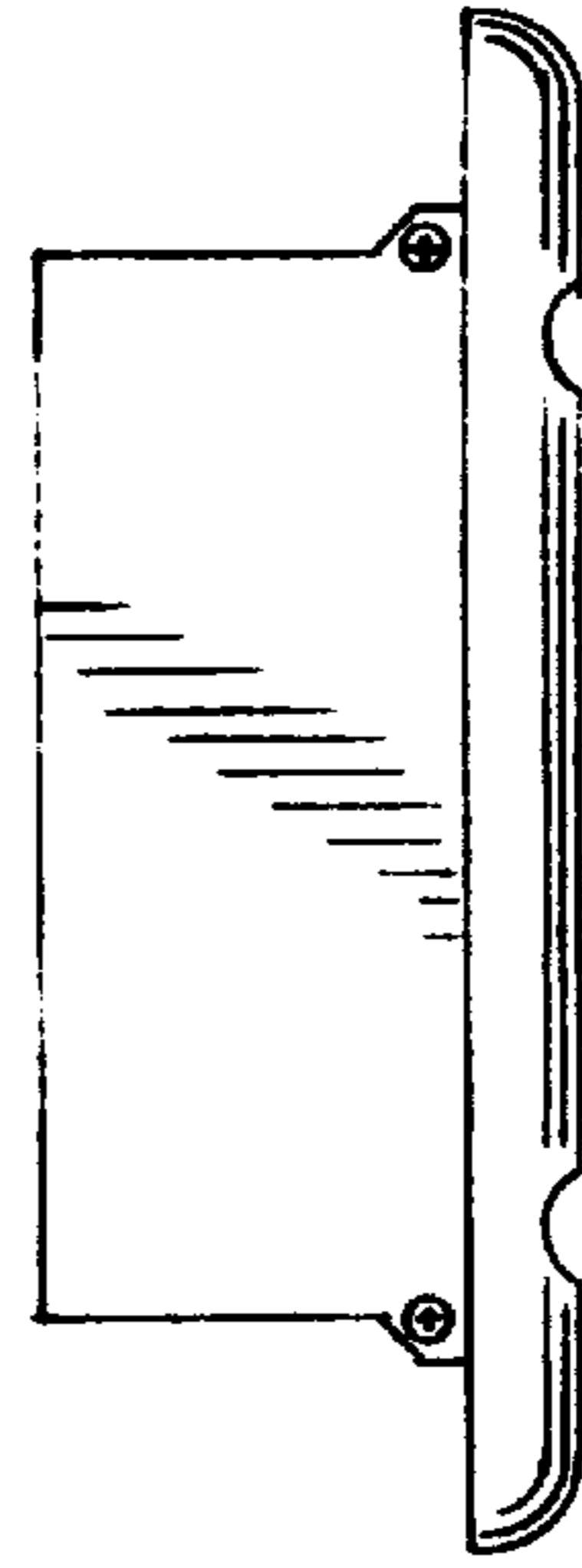


FIG. 4

FIG. 6

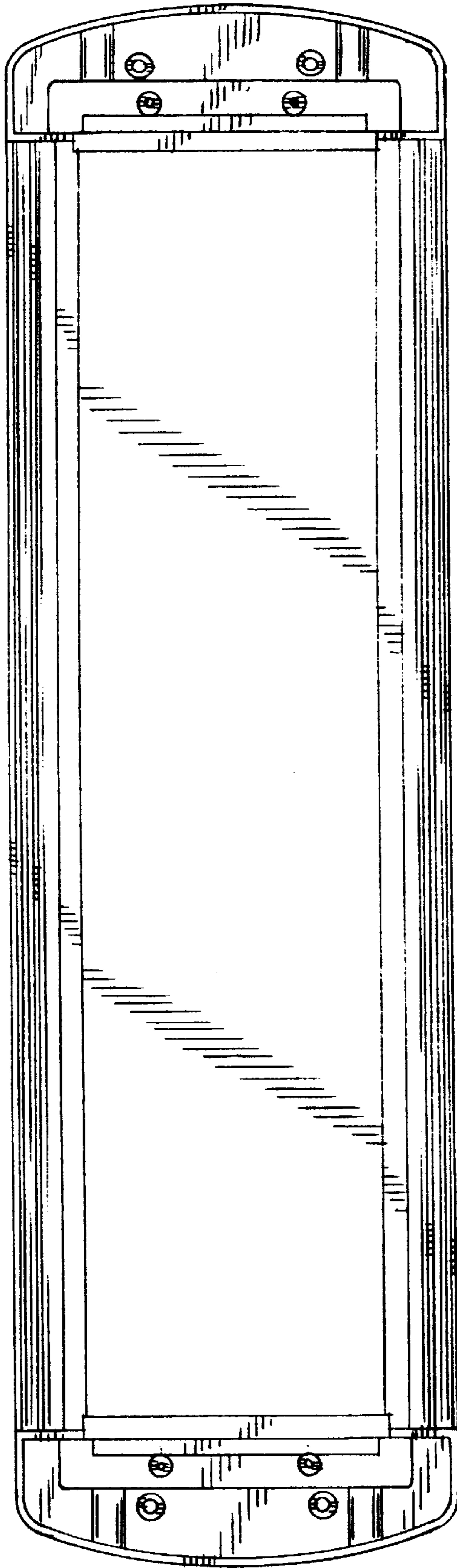


FIG. 7

