



US00D470965S

(12) **United States Design Patent**  
**Landefeld**

(10) **Patent No.:** **US D470,965 S**

(45) **Date of Patent:** **\*\* Feb. 25, 2003**

(54) **POLE MOUNTED LIGHT**

(75) Inventor: **Cory Landefeld**, Long Beach, CA (US)

(73) Assignee: **Architectural Area Lighting, Inc.**, La Mirada, CA (US)

(\*\*) Term: **14 Years**

(21) Appl. No.: **29/148,090**

(22) Filed: **Sep. 14, 2001**

(51) **LOC (7) Cl.** ..... **26-05**

(52) **U.S. Cl.** ..... **D26/71; D26/63**

(58) **Field of Search** ..... D26/72, 80, 83-92,  
D26/67-71; 362/404-408, 147, 310, 326,  
341, 346-353, 362, 363

(56) **References Cited**

**U.S. PATENT DOCUMENTS**

D207,273 S	*	3/1967	Miller	.....	D26/68
D236,909 S	*	9/1975	Richilano	.....	D26/68
4,298,921 A	*	11/1981	Krogstrup et al.	.....	362/269
D266,958 S	*	11/1982	Gernhardt	.....	D26/92
D318,535 S	*	7/1991	Von Klier	.....	D26/63

**OTHER PUBLICATIONS**

Taiwan Lighting, Aug. 2001, p. 44, item no. KB-1081.\*  
Taiwan Lighting, Aug. 2001, p. 59, item no. SD 748M.\*  
Taiwan Lighting, Nov. 2000, p. 69, item no. NW-1598.\*

\* cited by examiner

*Primary Examiner*—Alan P. Douglas

*Assistant Examiner*—Clare E. Heflin

(74) *Attorney, Agent, or Firm*—Milord & Associates, PC;  
Milord A. Keshishian, Esq.

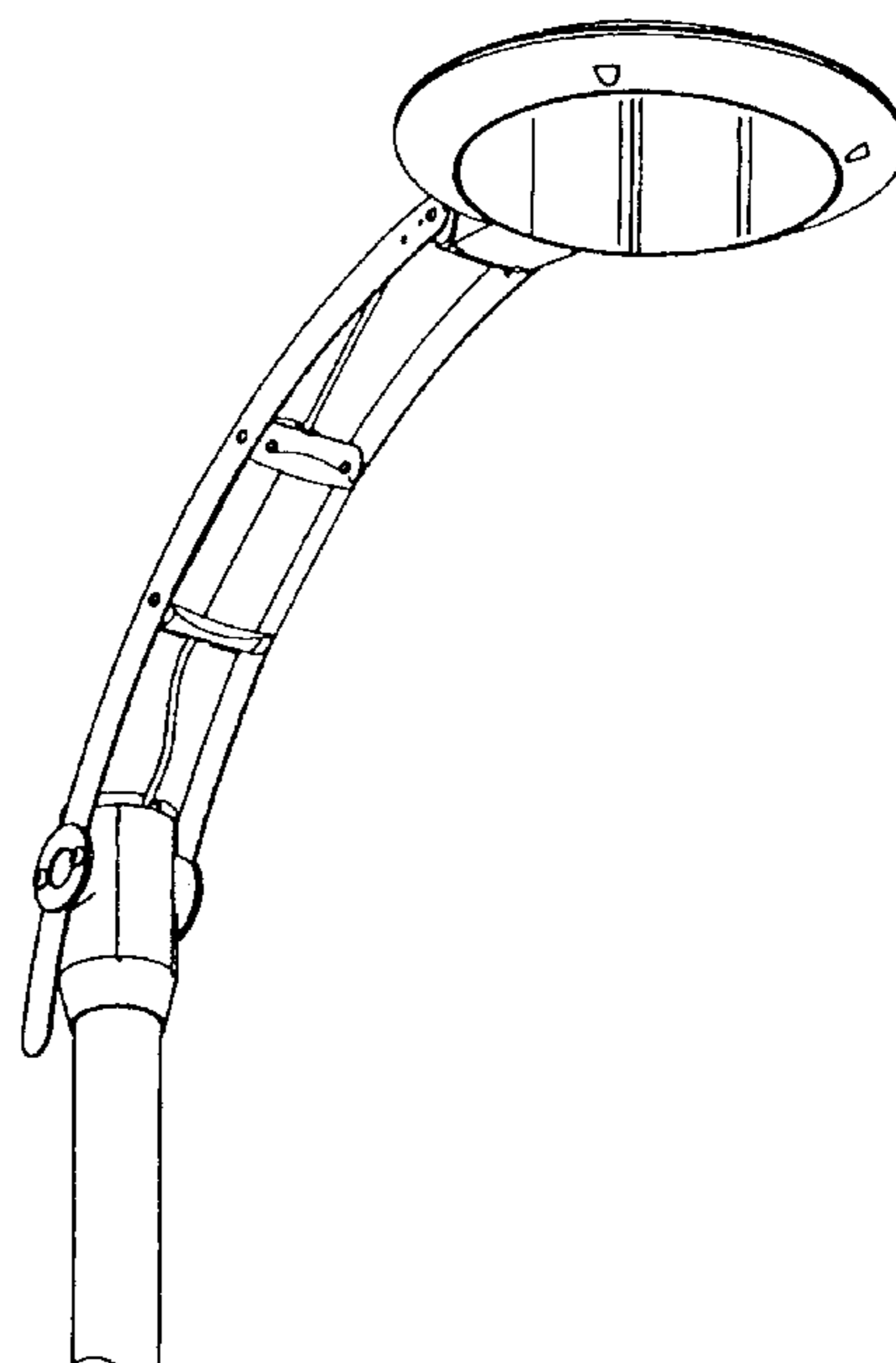
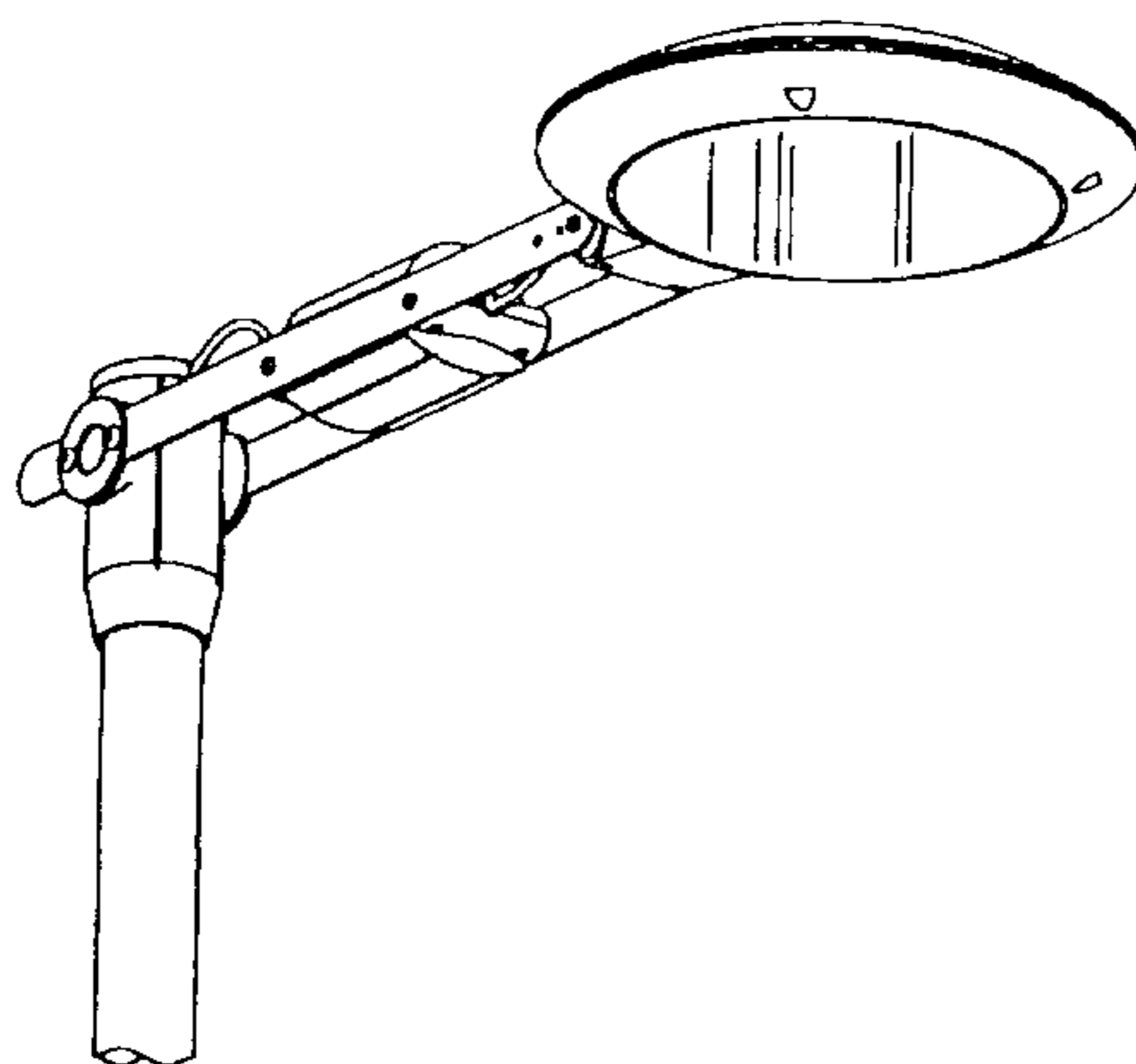
(57) **CLAIM**

The ornamental design for a pole mounted light, as shown and described.

**DESCRIPTION**

FIG. 1 is a top plan view of a pole mounted light;  
FIG. 2 is a bottom plan view of the pole mounted light;  
FIG. 3 is a perspective view of the pole mounted light;  
FIG. 4 is a rear elevational view of the pole mounted light;  
FIG. 5 is a right hand elevational view of the pole mounted light;  
FIG. 6 is a top plan view of a pole mounted light showing a second embodiment of the design, the sole difference being an arcuate arm;  
FIG. 7 is a bottom plan view of the pole mounted light showing a second embodiment of the design, the sole difference being the arcuate arm;  
FIG. 8 is a perspective view of the pole mounted light showing a second embodiment of the design, the sole difference being the arcuate arm;  
FIG. 9 is a rear elevational view of the pole mounted light showing a second embodiment of the design, the sole difference being the arcuate arm; and,  
FIG. 10 is a right hand elevational view of the pole mounted light showing a second embodiment of the design, the sole difference being the arcuate arm.

**1 Claim, 2 Drawing Sheets**



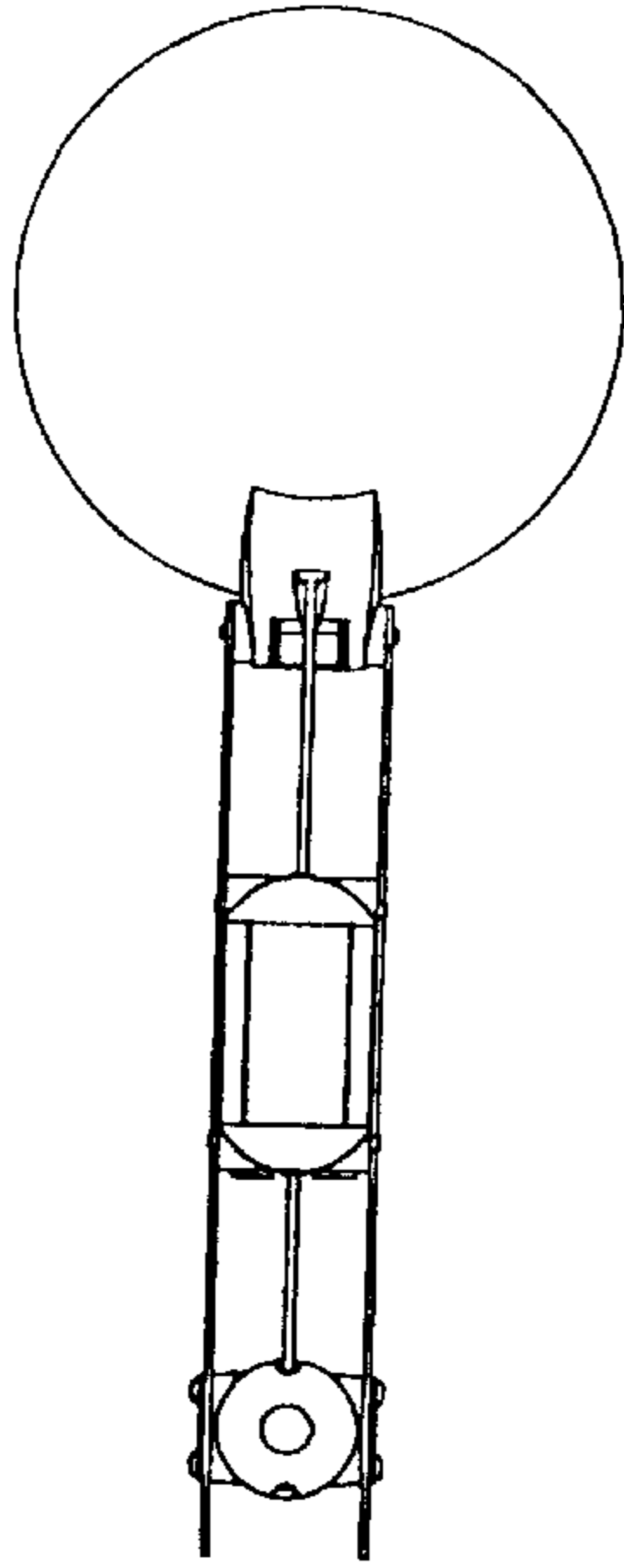


FIG. 1

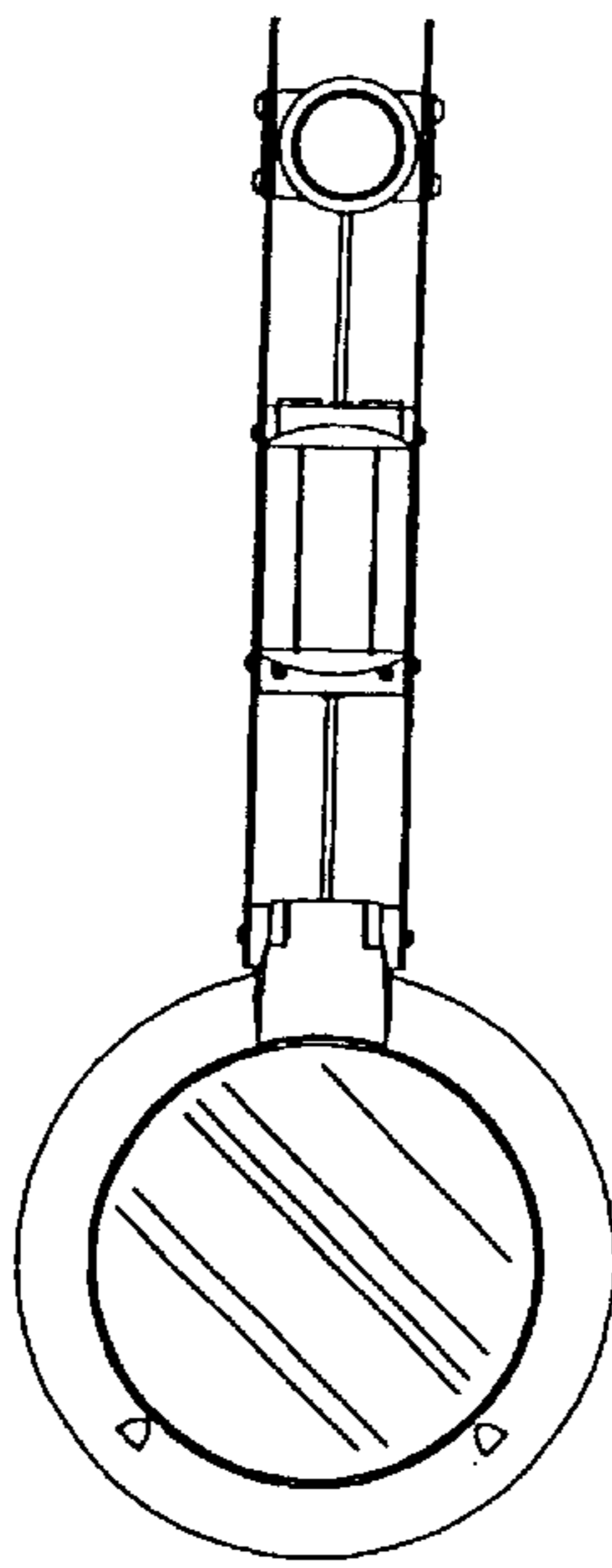


FIG. 2

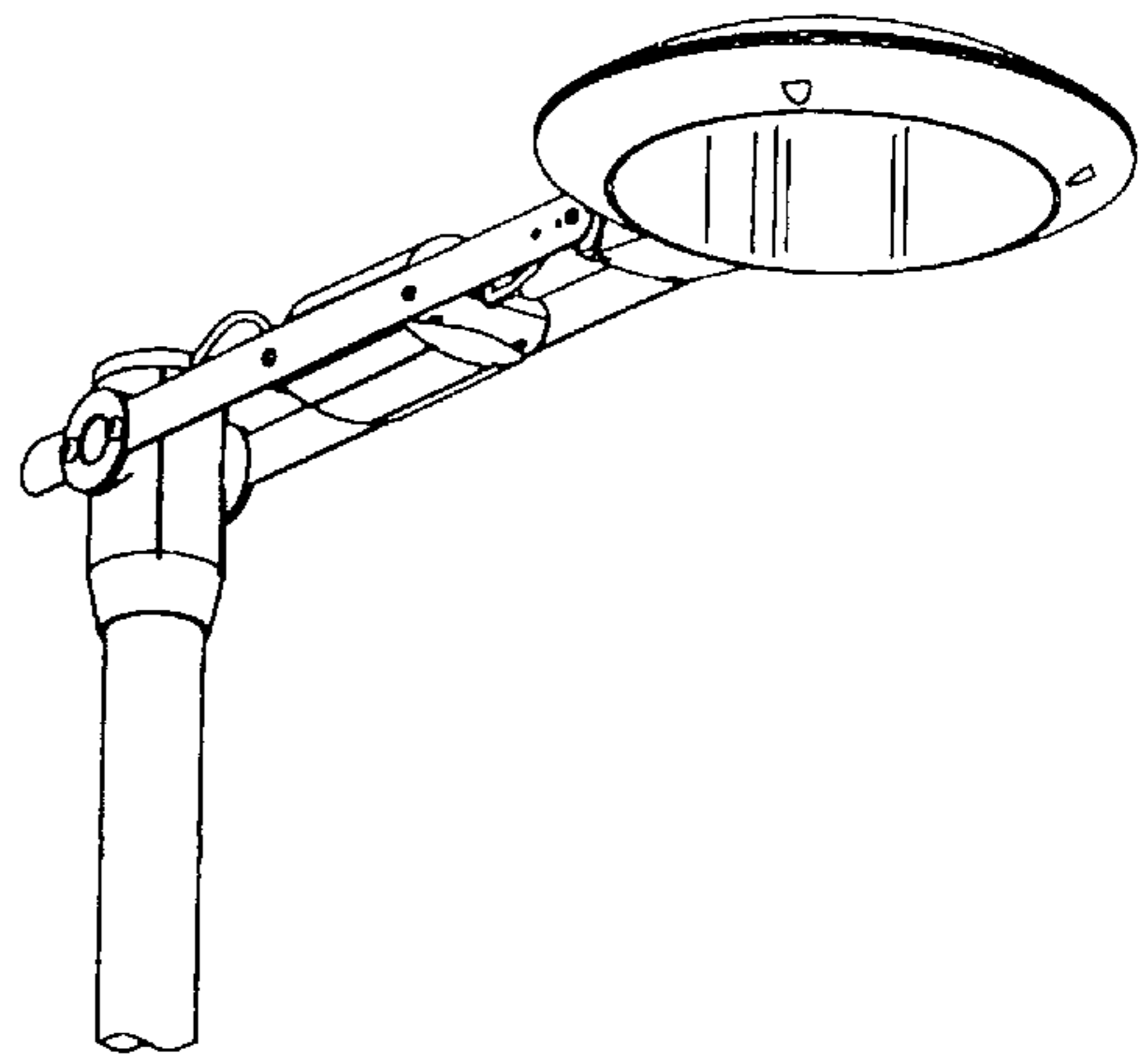


FIG. 3

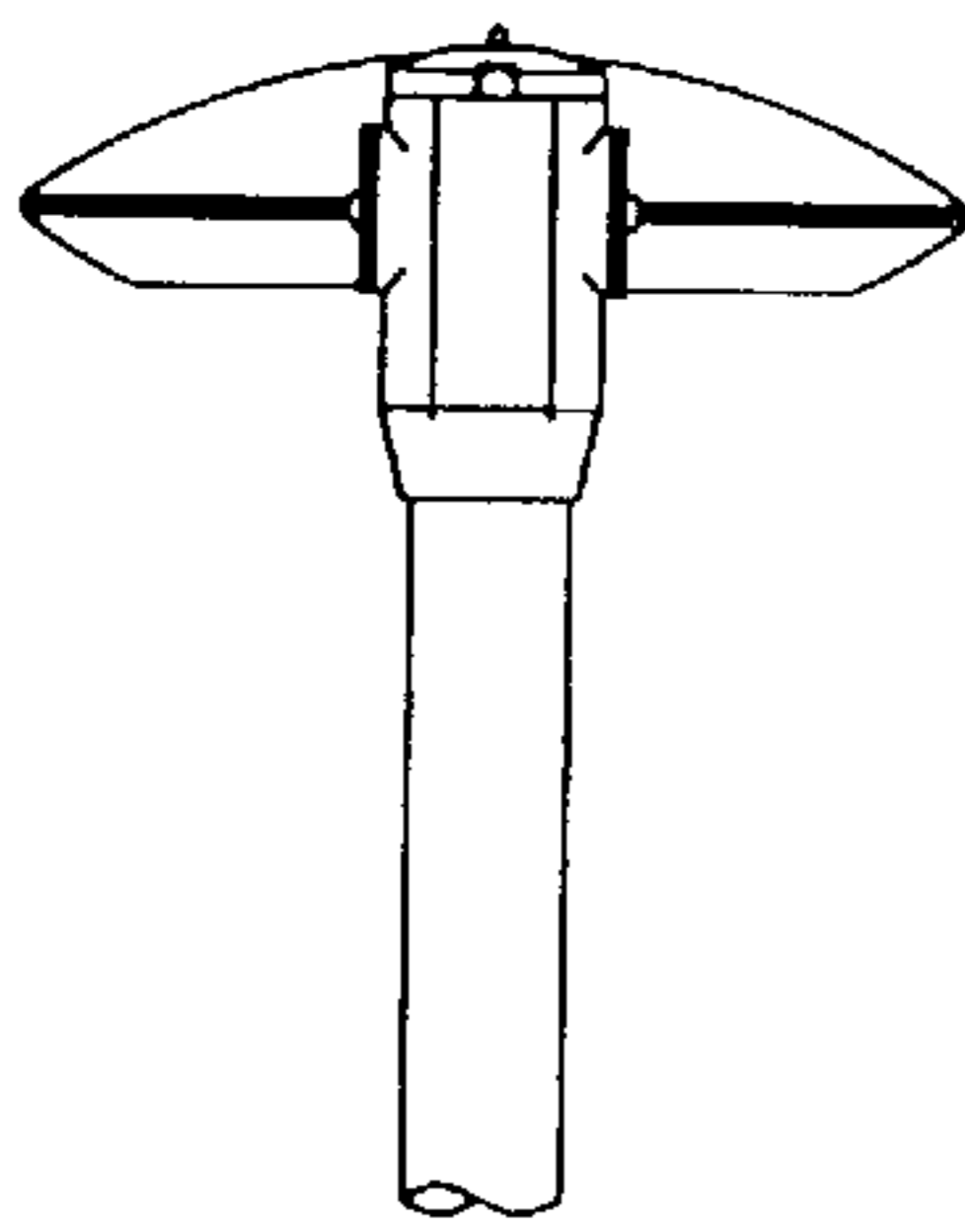


FIG. 4

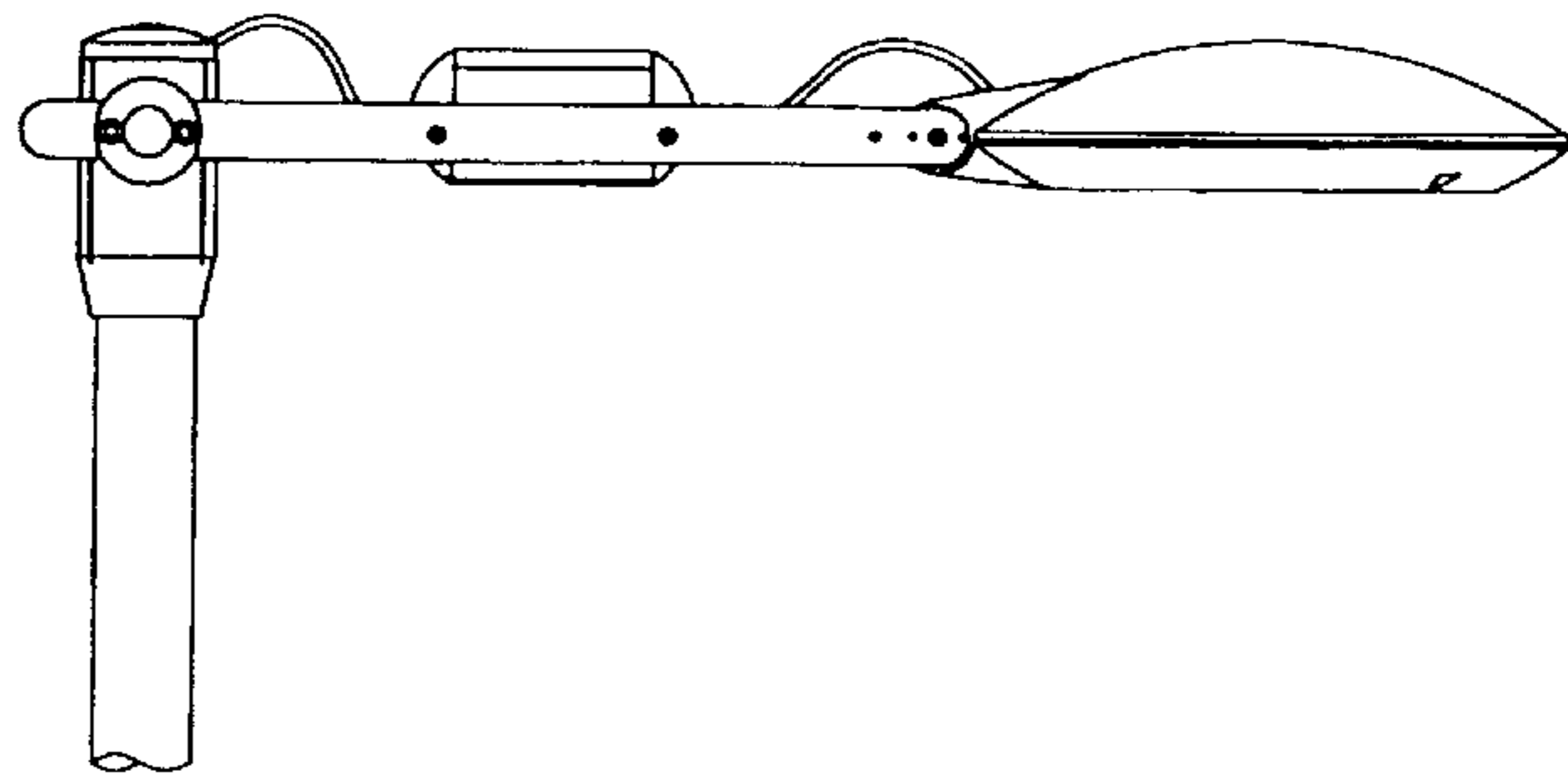


FIG. 5

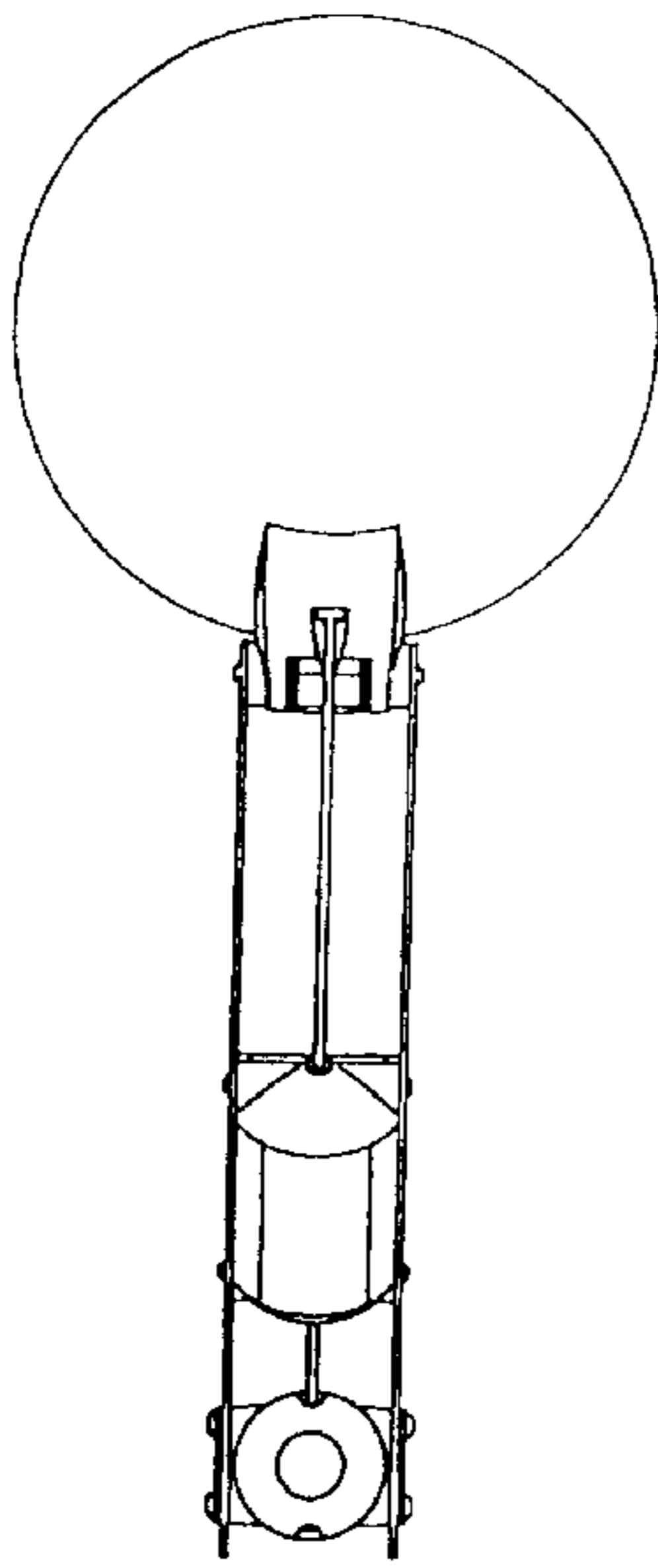


FIG. 6

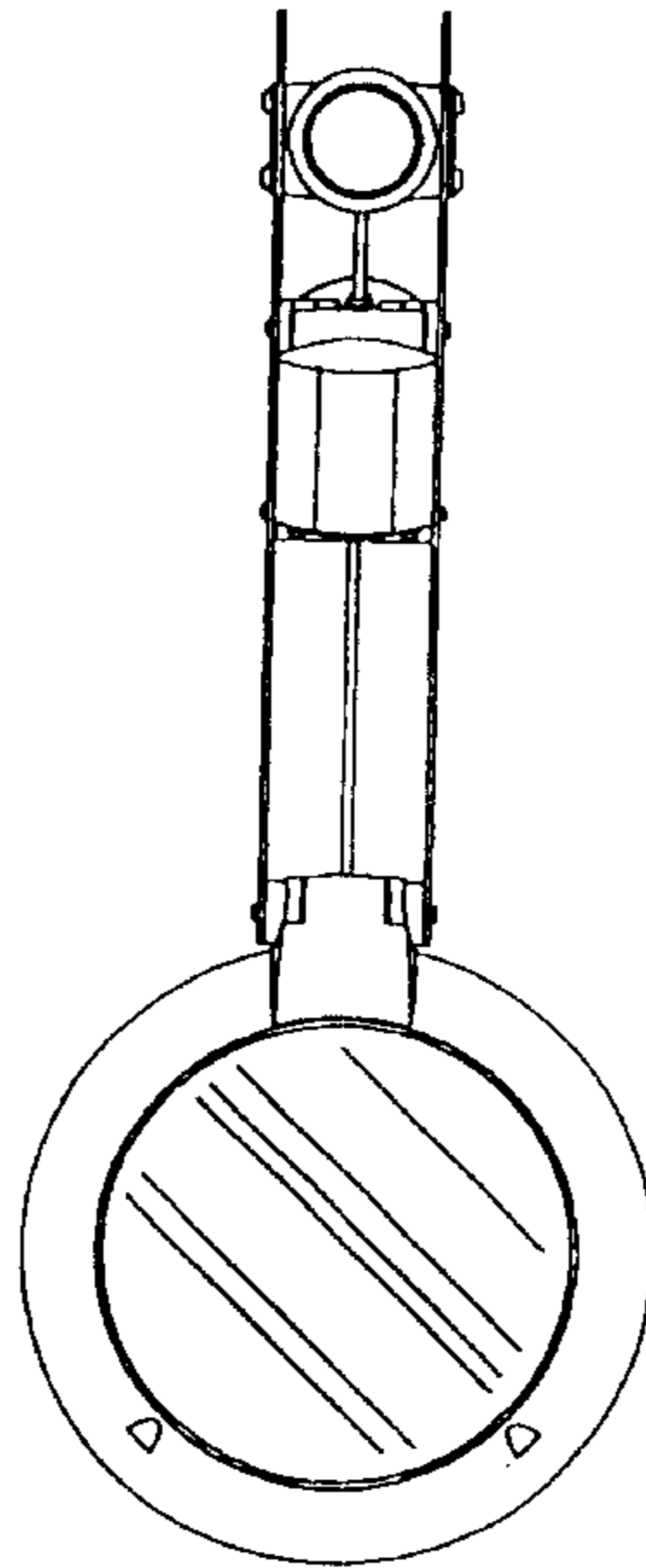


FIG. 7

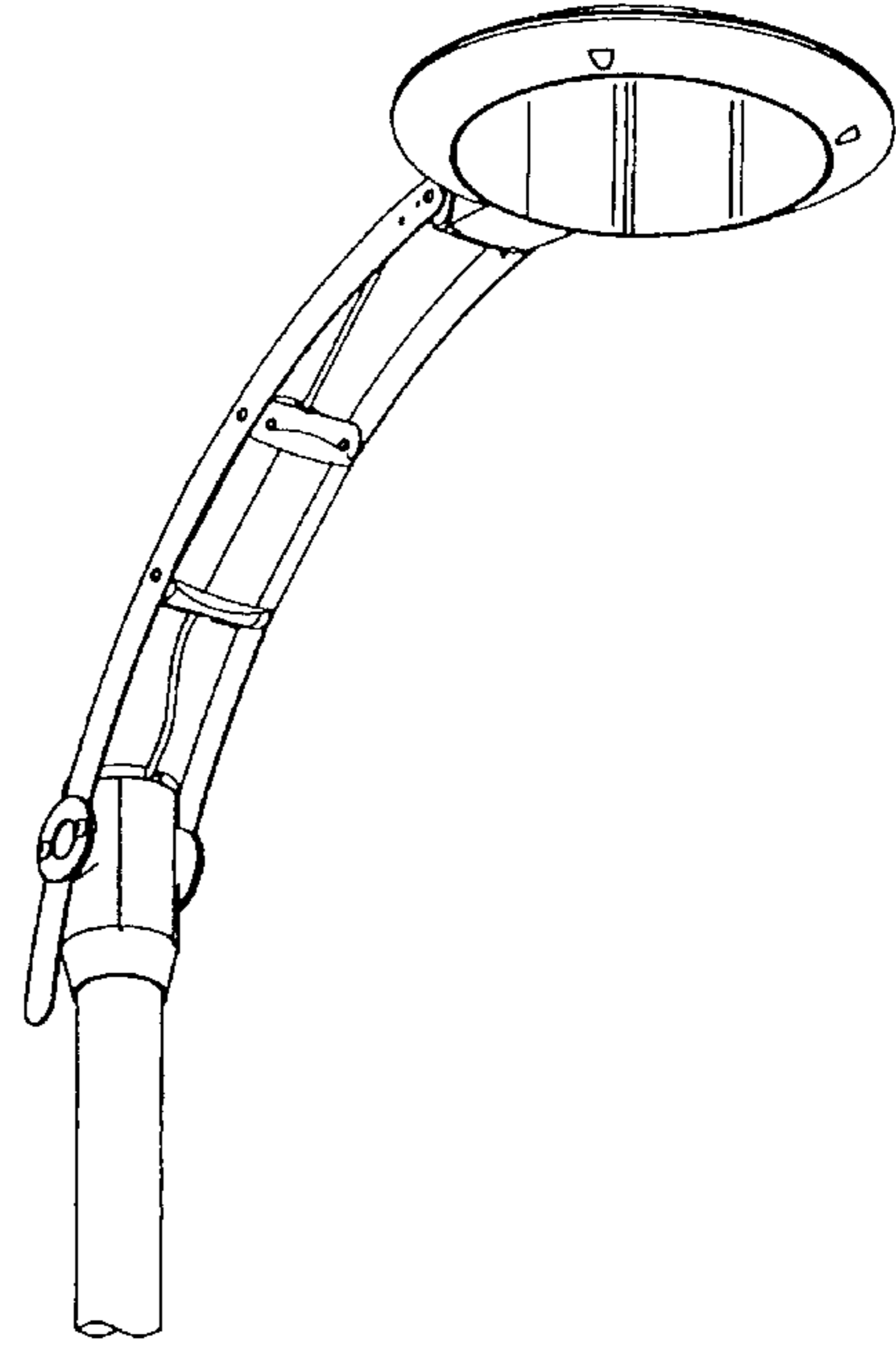


FIG. 8

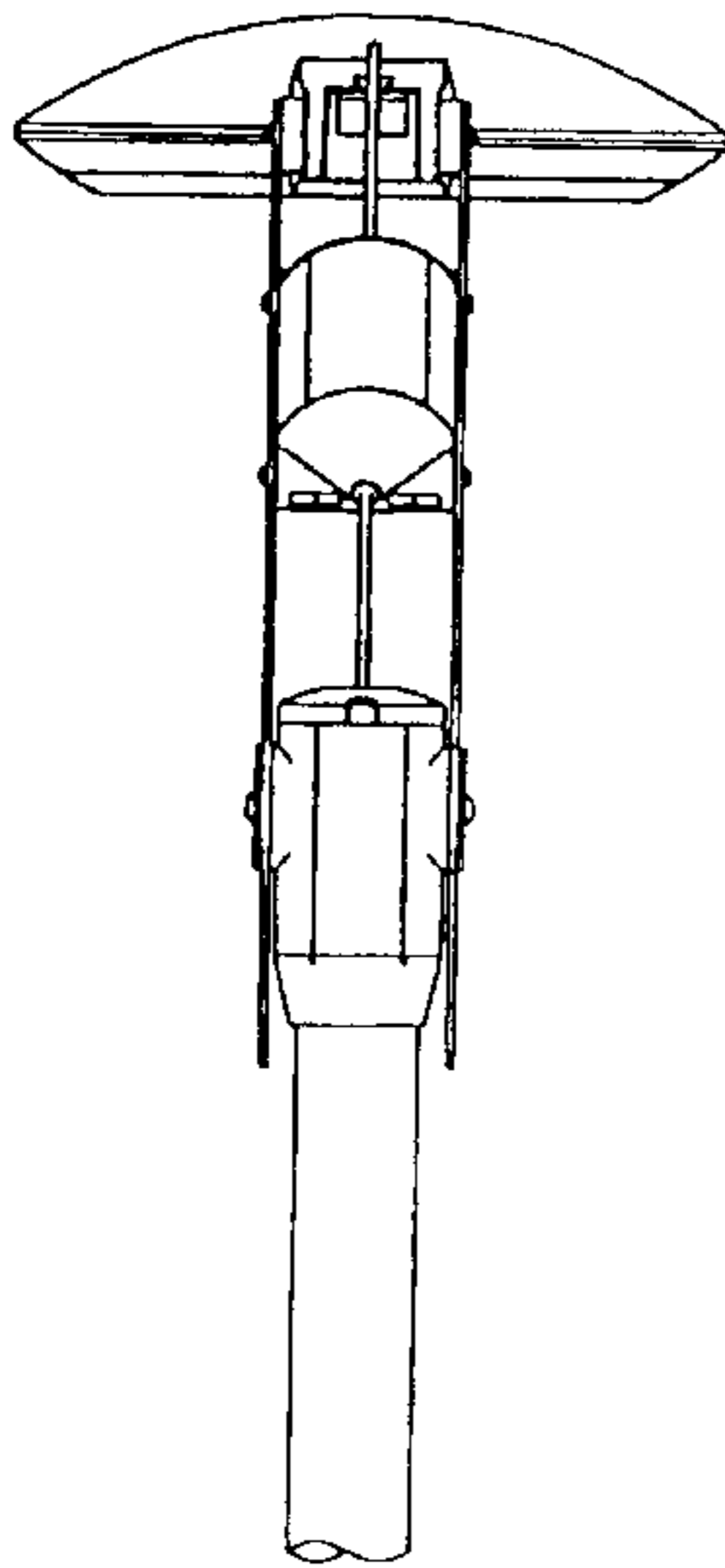


FIG. 9

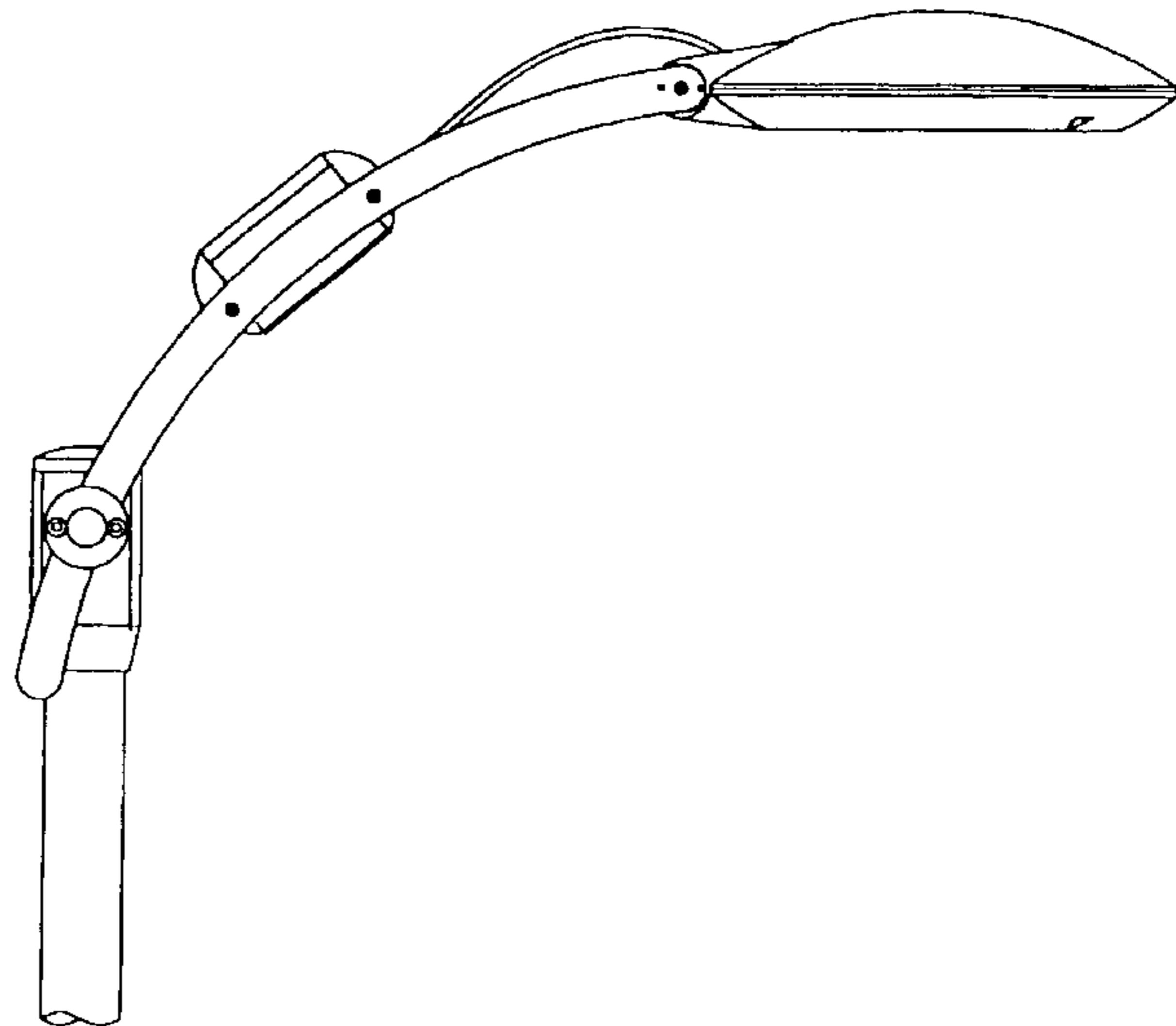


FIG. 10