



US00D470963S

(12) **United States Design Patent**  
**Cheong**

(10) **Patent No.:** **US D470,963 S**

(45) **Date of Patent:** **\*\* Feb. 25, 2003**

(54) **SOLAR POWERED OUTDOOR LIGHT**

(75) **Inventor:** **Ellis Hon Siu Cheong, Shunshine (HK)**

(73) **Assignee:** **The Brinkmann Corporation, Dallas, TX (US)**

(\*\*) **Term:** **14 Years**

(21) **Appl. No.:** **29/140,070**

(22) **Filed:** **Apr. 10, 2001**

(51) **LOC (7) Cl.** ..... **26-05**

(52) **U.S. Cl.** ..... **D26/67**

(58) **Field of Search** ..... D26/67-72, 85,  
D26/87, 92; 362/153, 153.1, 157, 147,  
183, 276, 363, 367, 431

(56) **References Cited**

**U.S. PATENT DOCUMENTS**

D37,742 S	12/1905	Davis	
D66,189 S	12/1924	Jaeger	
D67,423 S	5/1925	Walker	
D67,929 S	8/1925	Lipschutz	
D72,714 S	5/1927	Lipschutz	
D76,062 S	8/1928	Shortt	
D81,003 S	4/1930	Haas	
D105,246 S	7/1937	Ostrow	
D129,831 S	* 10/1941	Davidson	362/217
2,967,230 A	1/1961	Goetz et al.	240/3
3,239,958 A	3/1966	Daum	40/145
D206,082 S	10/1966	Rosen	D48/4
D220,641 S	5/1971	Lewis	D48/4
D251,629 S	4/1979	Nelson	D48/4 B
D302,477 S	7/1989	Bohler	D26/81
D309,796 S	8/1990	Koziol	D26/87
D313,868 S	1/1991	Shyu	D26/87
D314,834 S	2/1991	Rottner	D26/87
D316,759 S	5/1991	Choi	D26/87
D383,865 S	9/1997	Heiberg et al.	D26/67
D387,458 S	12/1997	Ruggles et al.	D26/67
D388,220 S	12/1997	Hsu	D26/87
D394,325 S	5/1998	Hsu	D26/87
D394,519 S	5/1998	Hsu	D26/87
D409,780 S	5/1999	Maxwell	D26/67
D420,162 S	2/2000	Meck et al.	D26/87

D420,459 S	2/2000	Meck et al.	D26/87
D420,760 S	2/2000	Meck et al.	D26/87
D428,507 S	7/2000	De'Armond	D26/72
D428,662 S	7/2000	Jaspers-Fayer et al.	D26/67
D429,016 S	8/2000	Cohen	D26/67
D455,514 S	* 4/2002	Cheong	D26/68
D456,936 S	* 5/2002	Hsu	D26/87
D461,577 S	* 8/2002	Cheong	D26/67

**OTHER PUBLICATIONS**

*Home Lighting & Accessories*, Aug. 1995, p. 19, Exterior Wall Lamp.

Kichler Lighting Catalog, 1989, p. 93, Post Lantern #K-9955.

\* cited by examiner

*Primary Examiner*—Alan P. Douglas

*Assistant Examiner*—Clare E. Heflin

(74) *Attorney, Agent, or Firm*—Sheppard, Mullin Richter & Hampton LLP

(57) **CLAIM**

The ornamental design for a solar powered outdoor light, as shown and described.

**DESCRIPTION**

FIG. 1 is a perspective view of a solar powered outdoor light embodying the new design.

FIG. 2 is a left side elevational view of the design depicted in FIG. 1.

FIG. 3 is a right side elevational view of the design depicted in FIG. 1.

FIG. 4 is a front elevational view of the design depicted in FIG. 1.

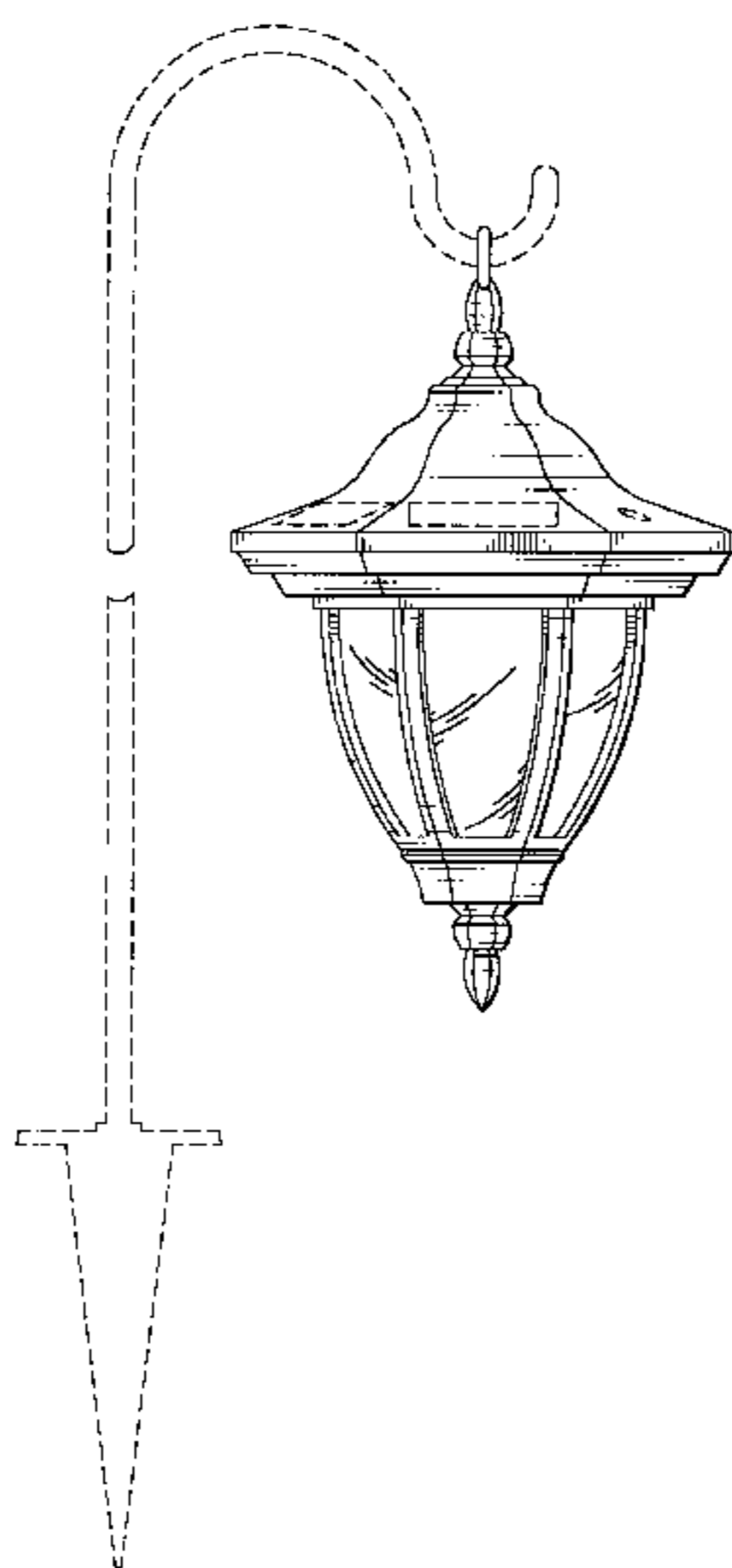
FIG. 5 is a rear elevational view of the design depicted in FIG. 1.

FIG. 6 is a top plan view of the design depicted in FIG. 1; and,

FIG. 7 is a bottom plan view of the design depicted in FIG. 1.

The dotted lines are for illustrative purposes only and form no part of the claimed design.

**1 Claim, 6 Drawing Sheets**



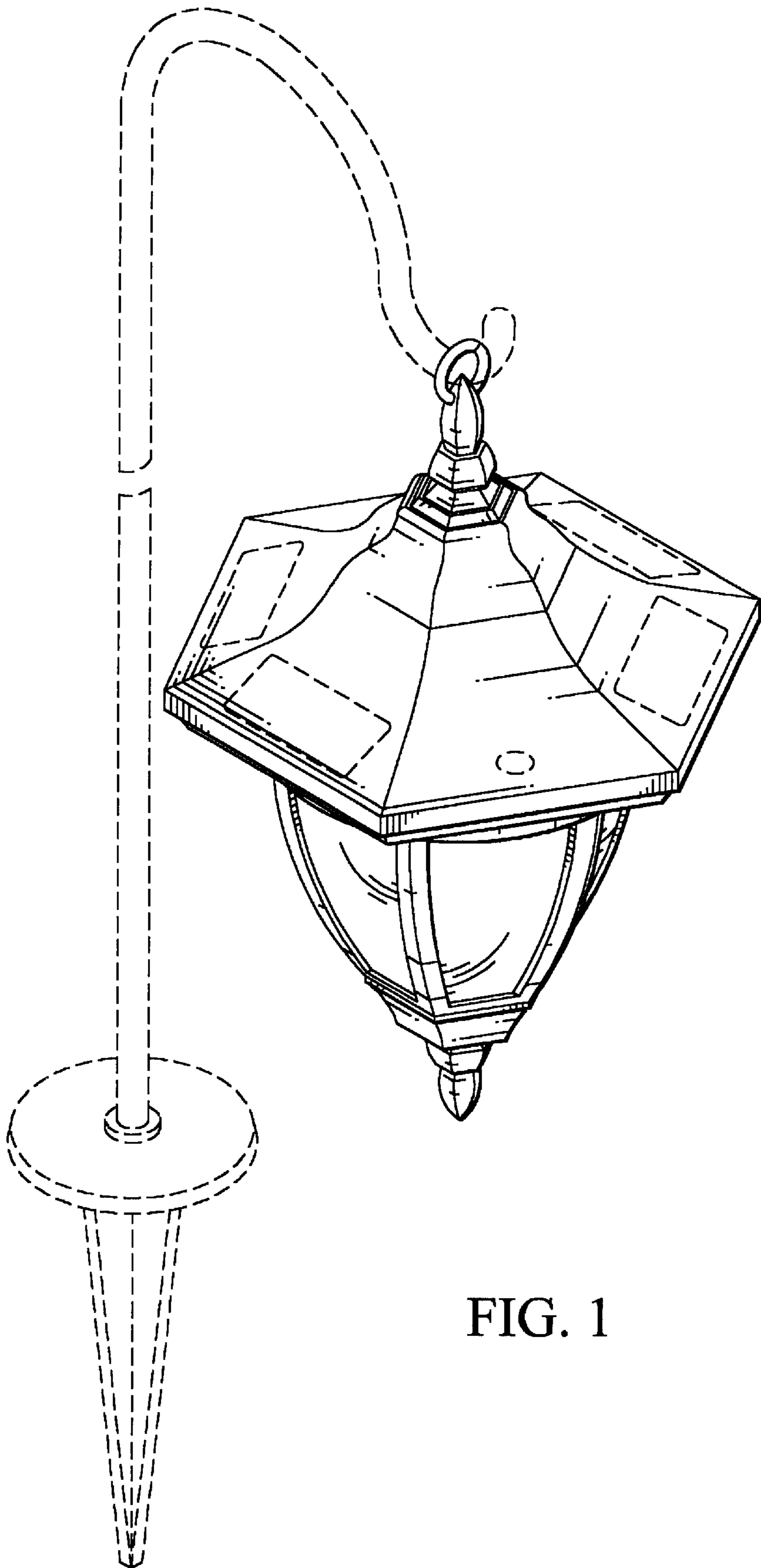


FIG. 1

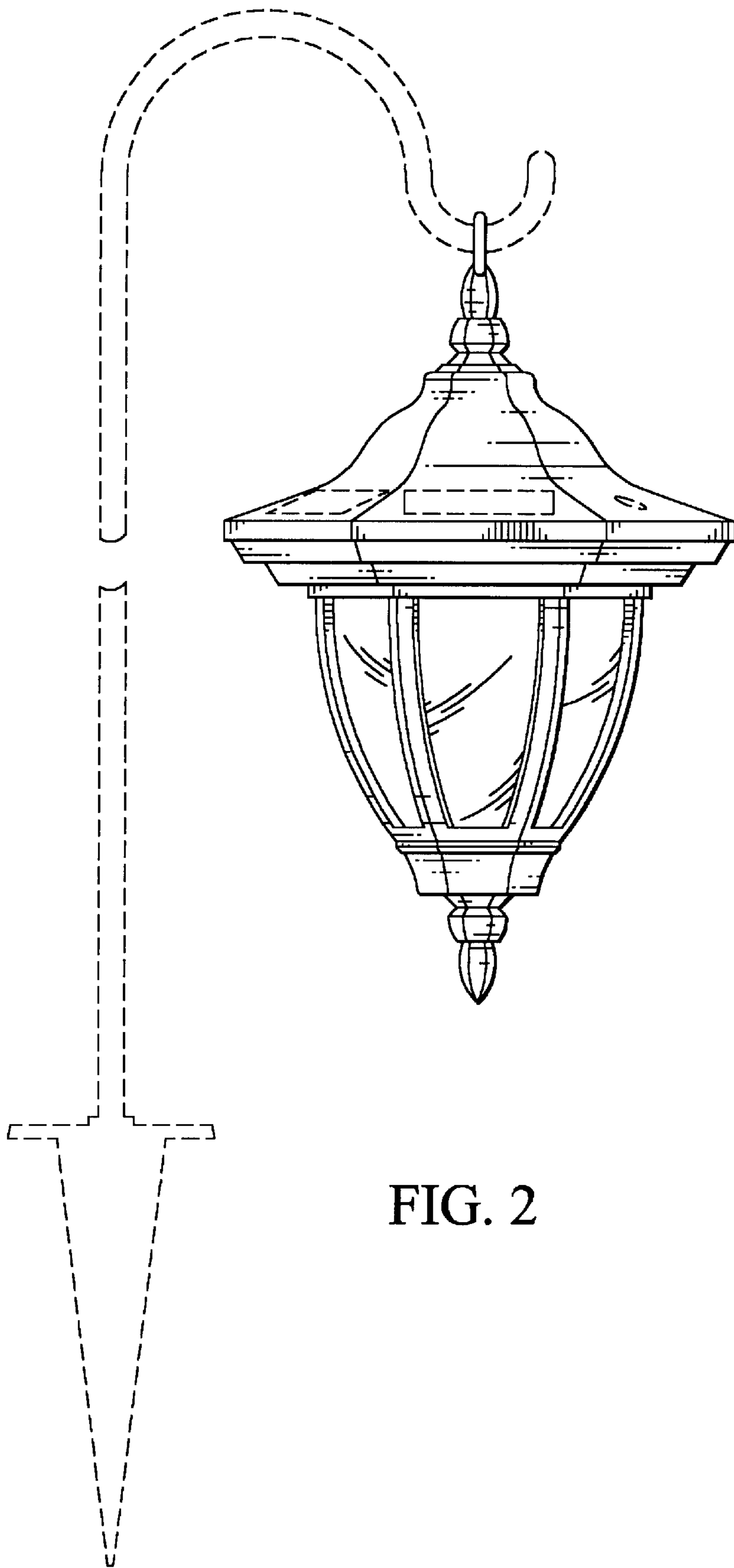


FIG. 2

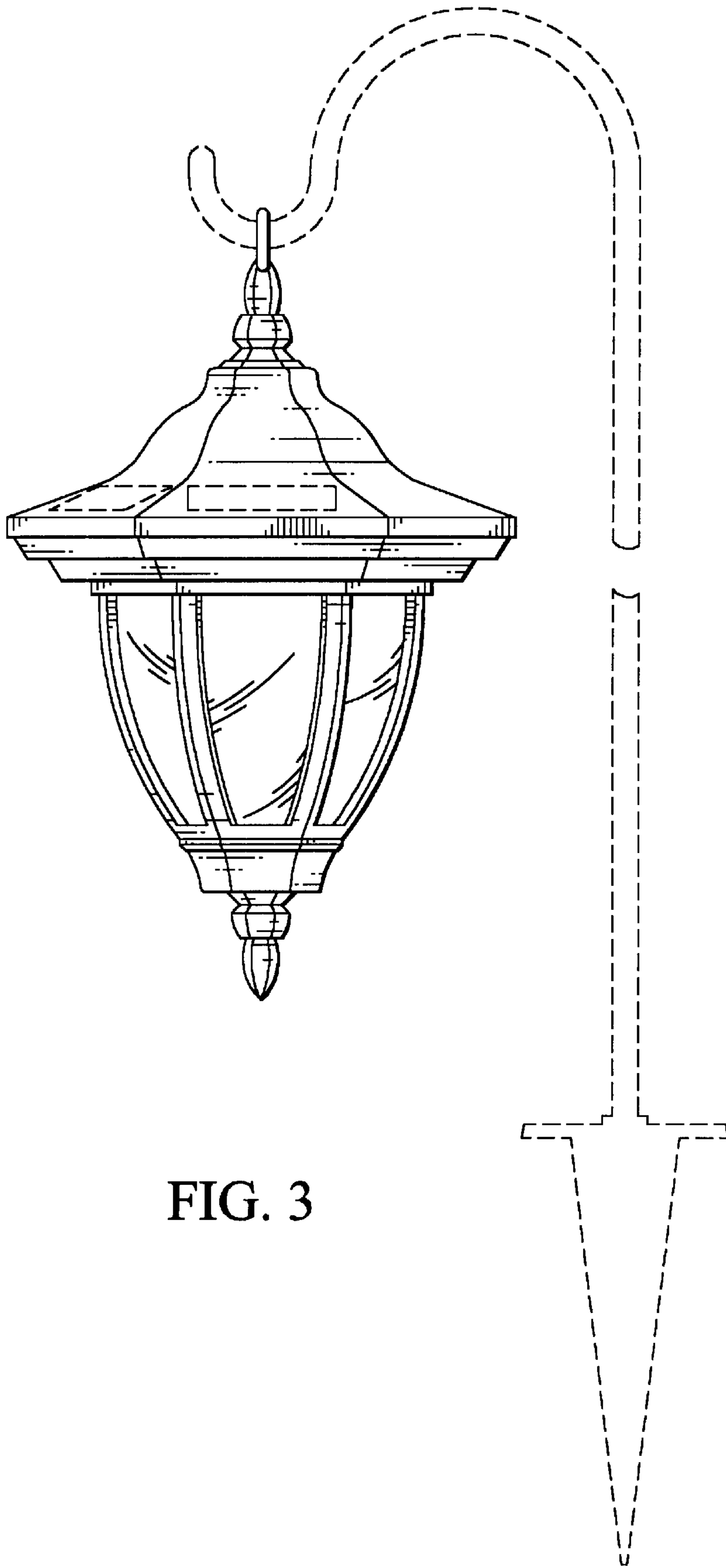


FIG. 3

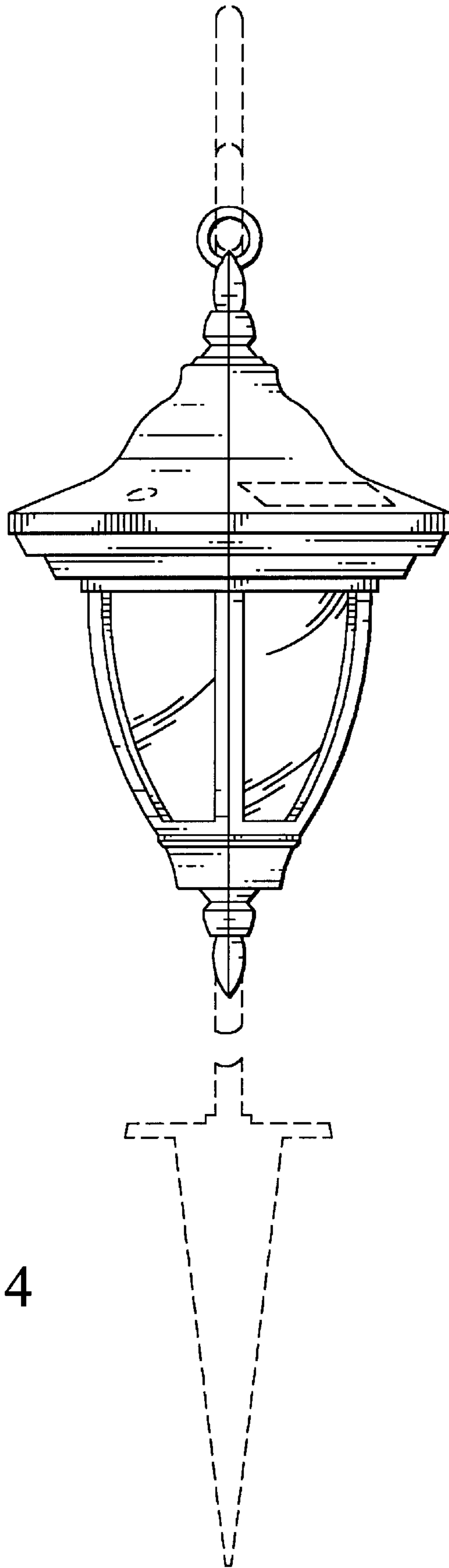


FIG. 4

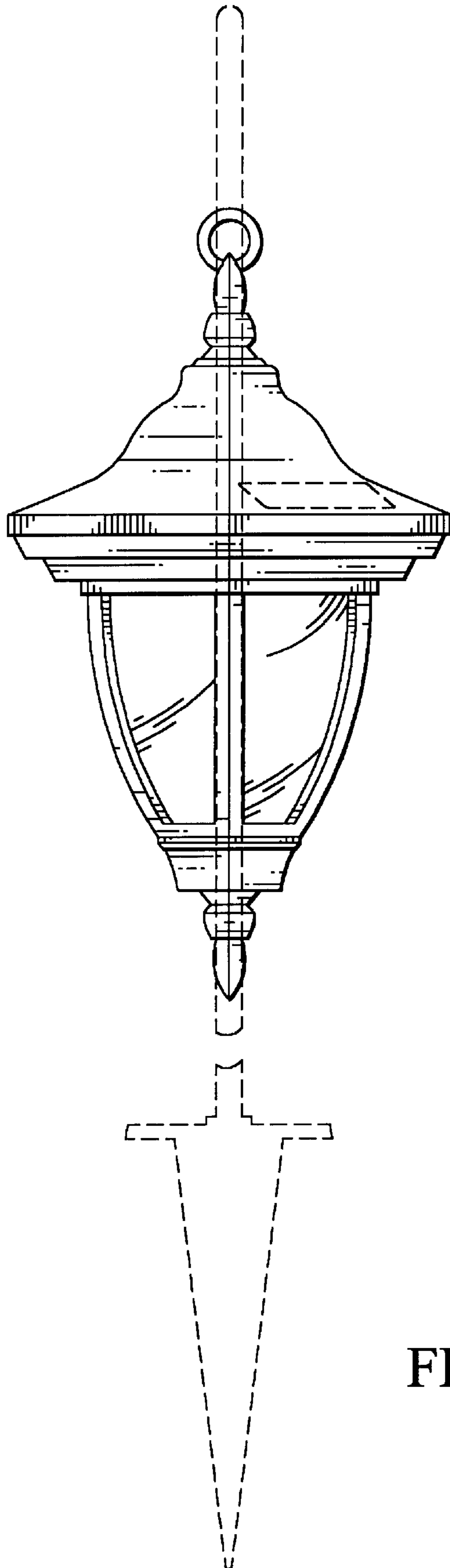


FIG. 5

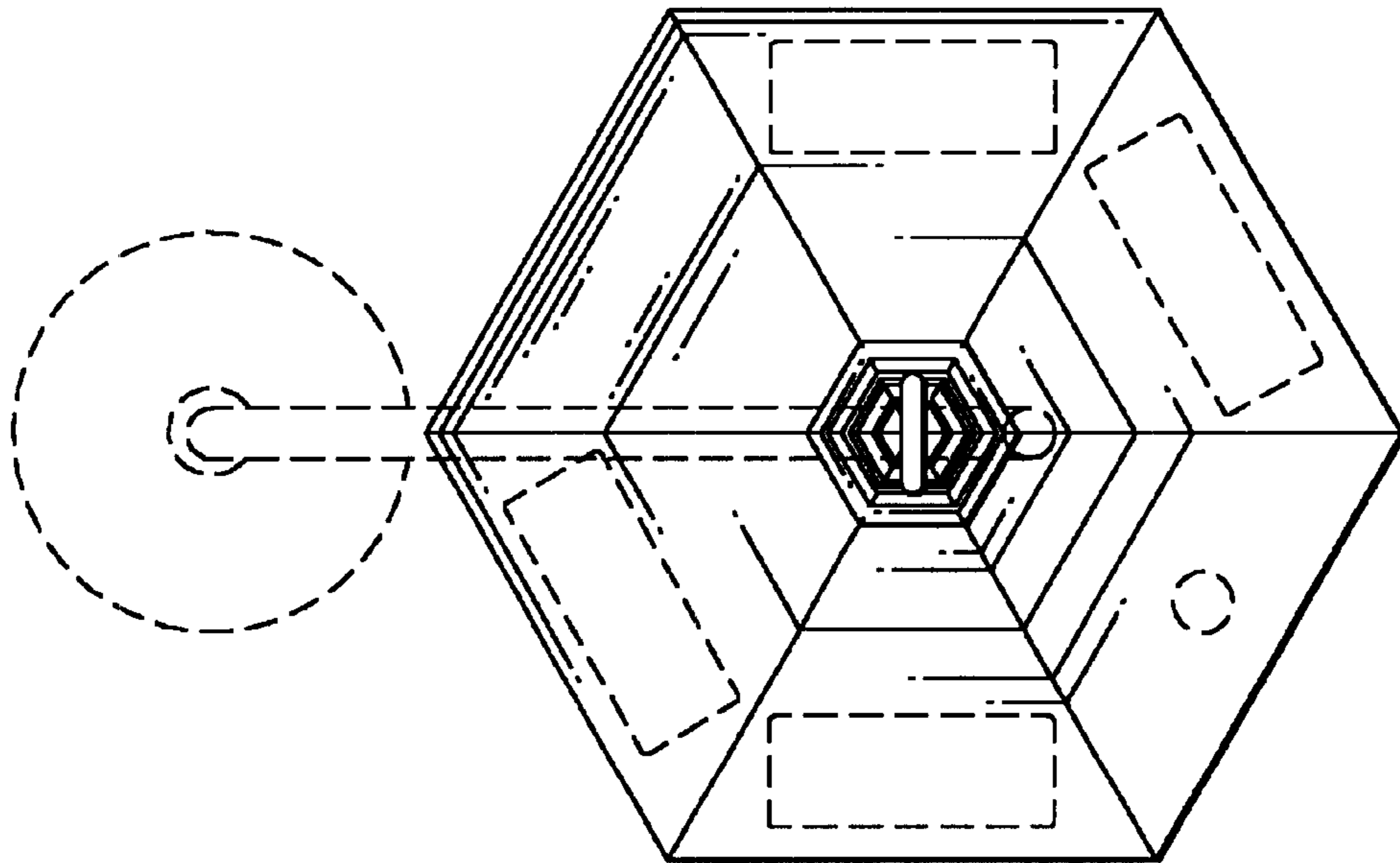


FIG. 6

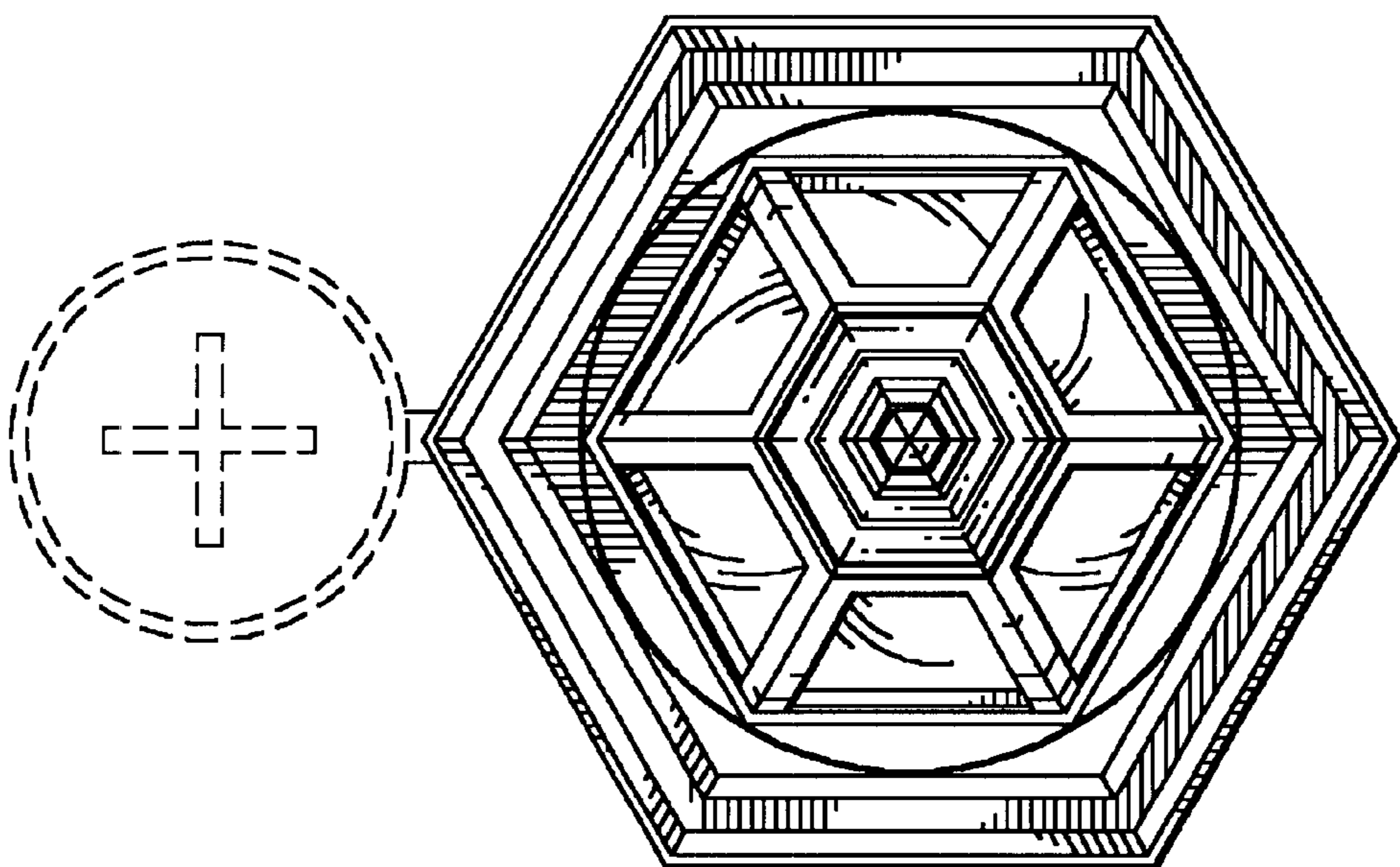


FIG. 7