



US00D470962S

(12) **United States Design Patent**
Chen

(10) **Patent No.:** **US D470,962 S**

(45) **Date of Patent:** **** Feb. 25, 2003**

(54) **LAMPSHADE**

(76) **Inventor:** **Frank Chen**, P.O. Box 26-757, Taipei (TW), 106

(**) **Term:** **14 Years**

(21) **Appl. No.:** **29/148,826**

(22) **Filed:** **Sep. 24, 2001**

(51) **LOC (7) Cl.** **26-99**

(52) **U.S. Cl.** **D26/63; D26/118**

(58) **Field of Search** **D26/61-66, 118-137; 362/418, 419, 427**

(56) **References Cited**

U.S. PATENT DOCUMENTS

D204,791 S	*	5/1966	Schwartz	D26/63
D205,082 S	*	6/1966	Morgan	D26/63
D234,712 S	*	4/1975	Kennedy	D26/63
D437,443 S	*	2/2001	Lin	D26/118

* cited by examiner

Primary Examiner—Jennifer Rivard

(74) *Attorney, Agent, or Firm*—Rosenberg, Klein & Lee

(57) **CLAIM**

The ornamental design for a “lampshade,” as shown and described.

DESCRIPTION

FIG. 1 is the perspective view of a “lampshade” showing my new design;

FIG. 2 is the front view thereof;

FIG. 3 is the rear view thereof;

FIG. 4 is the left side view thereof;

FIG. 5 is the right side view thereof;

FIG. 6 is the top view thereof;

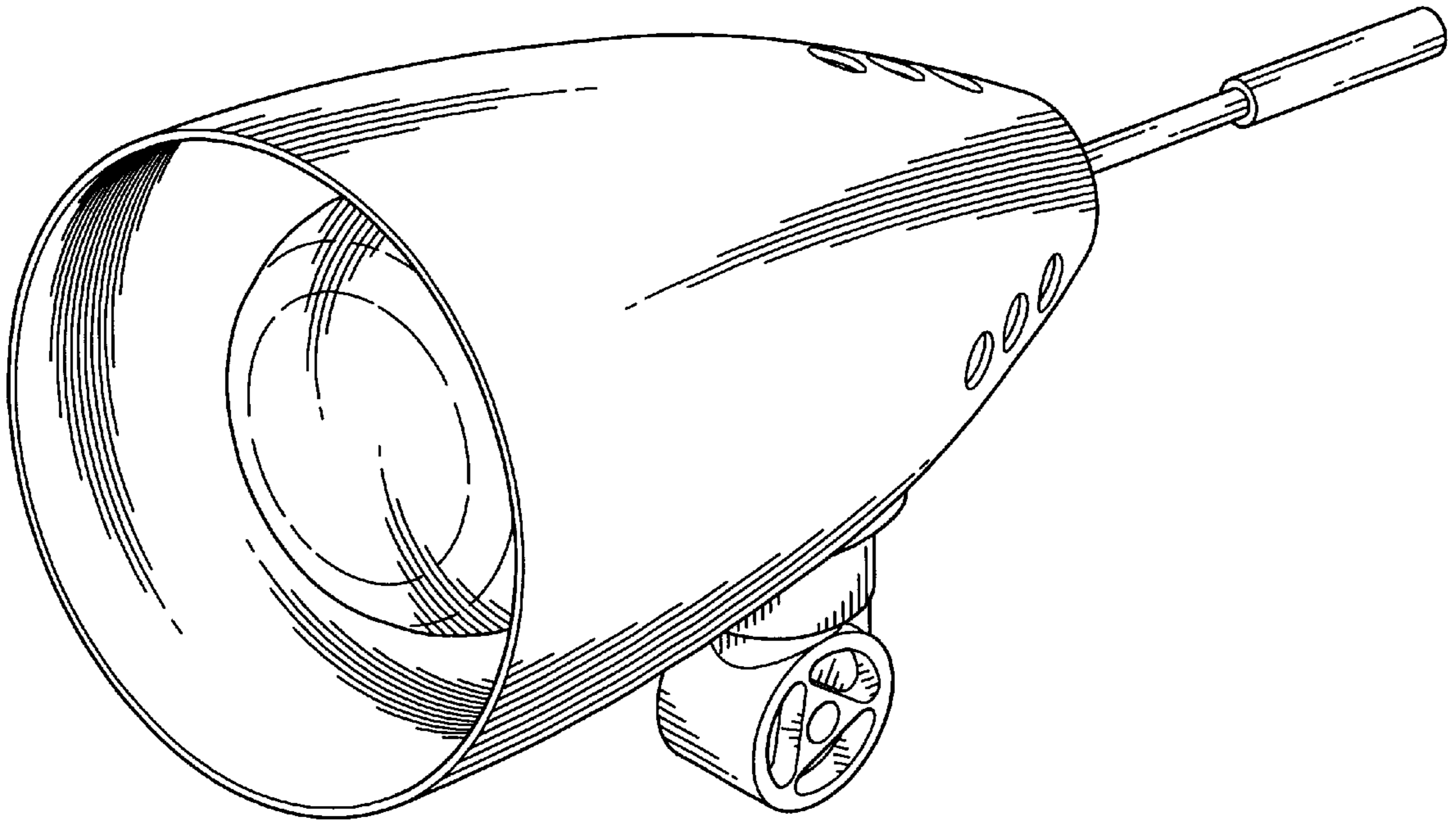
FIG. 7 is the bottom view thereof; and

FIG. 8 is the perspective view showing the practical usage thereof; and,

FIG. 9 is another perspective view showing the practical usage thereof.

The broken line environmental showing is for illustrative purposes only and forms no part of the claimed design.

1 Claim, 8 Drawing Sheets



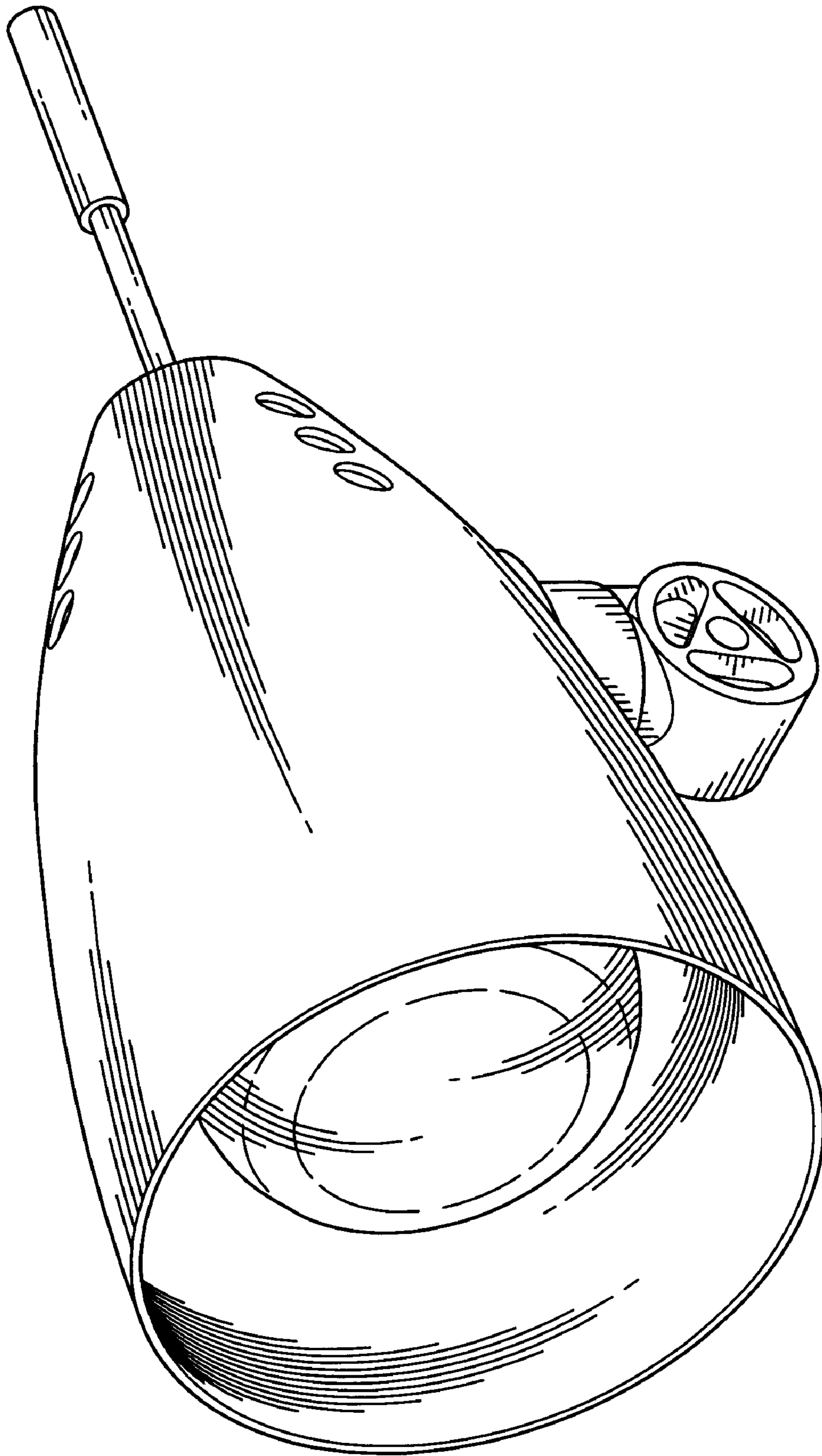


FIG. 1

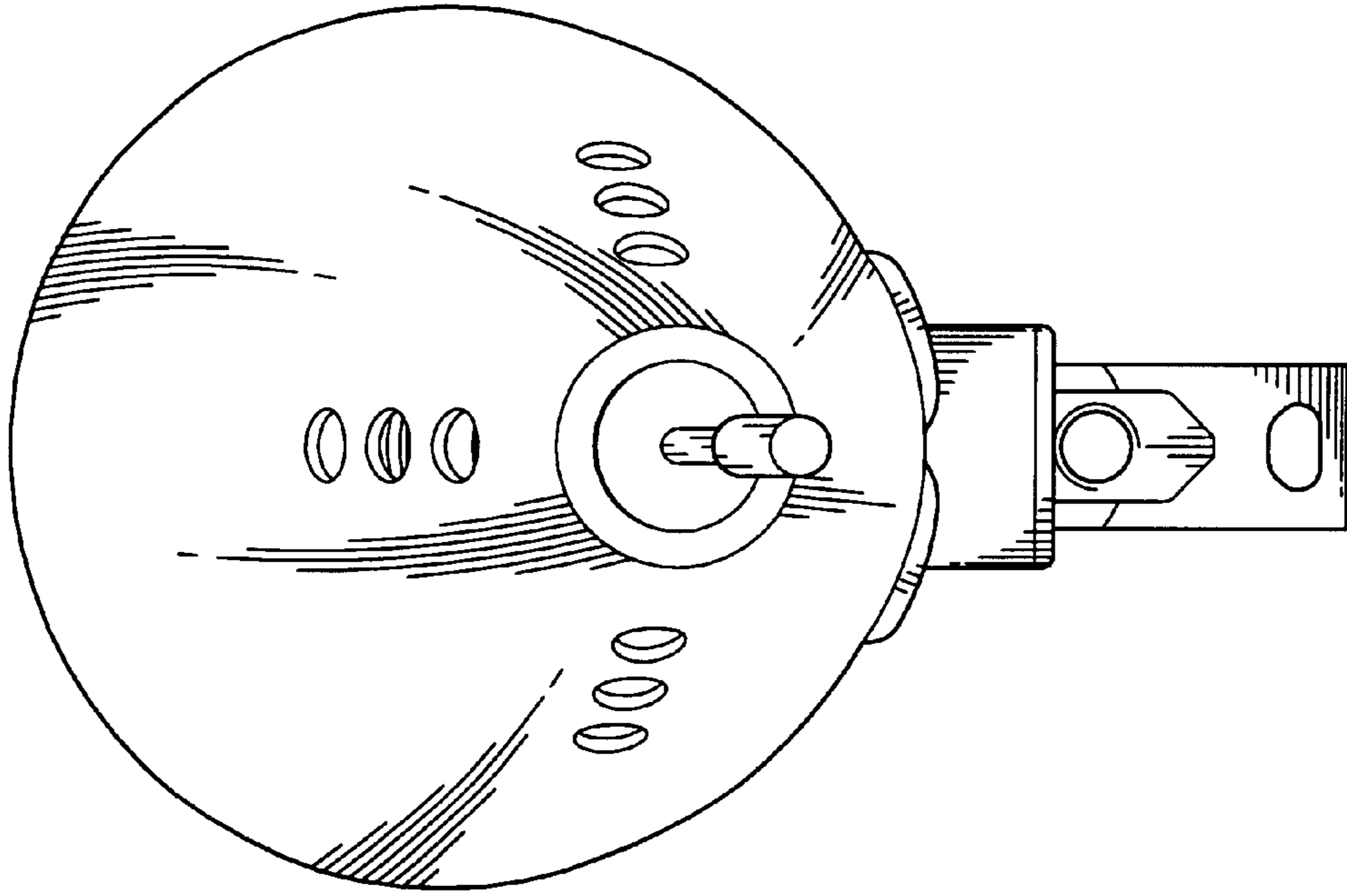


FIG. 2

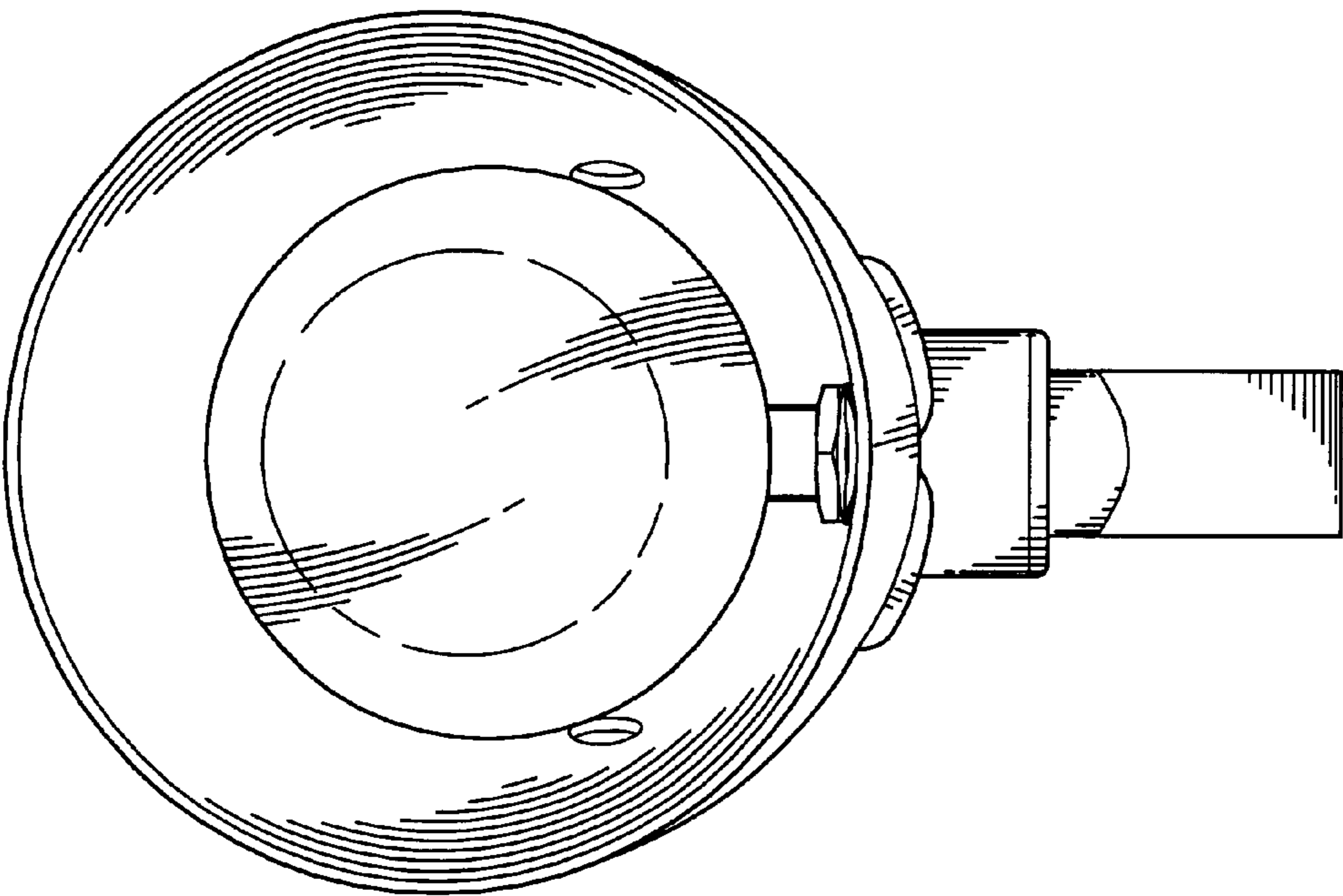


FIG. 3

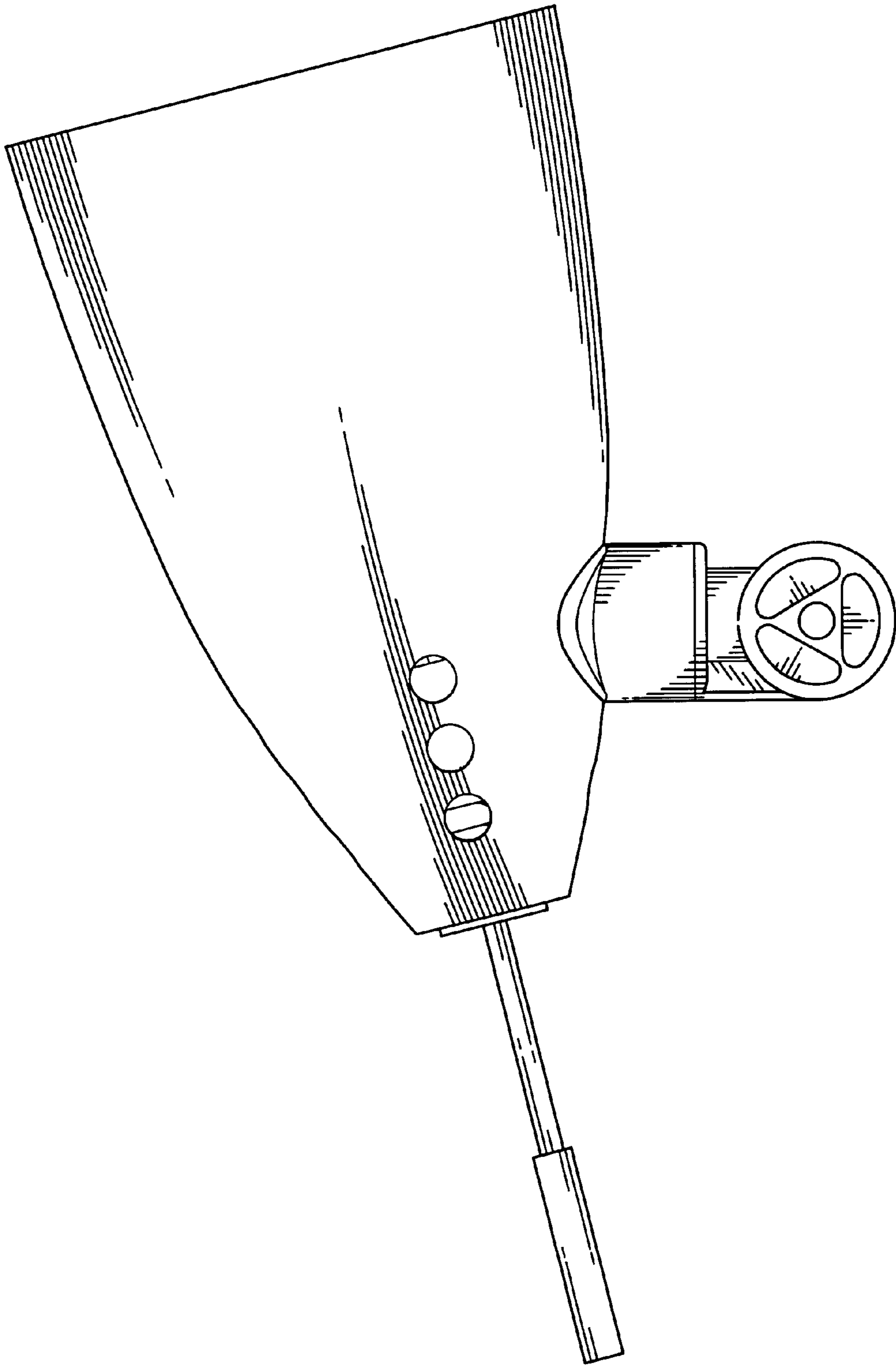


FIG. 4

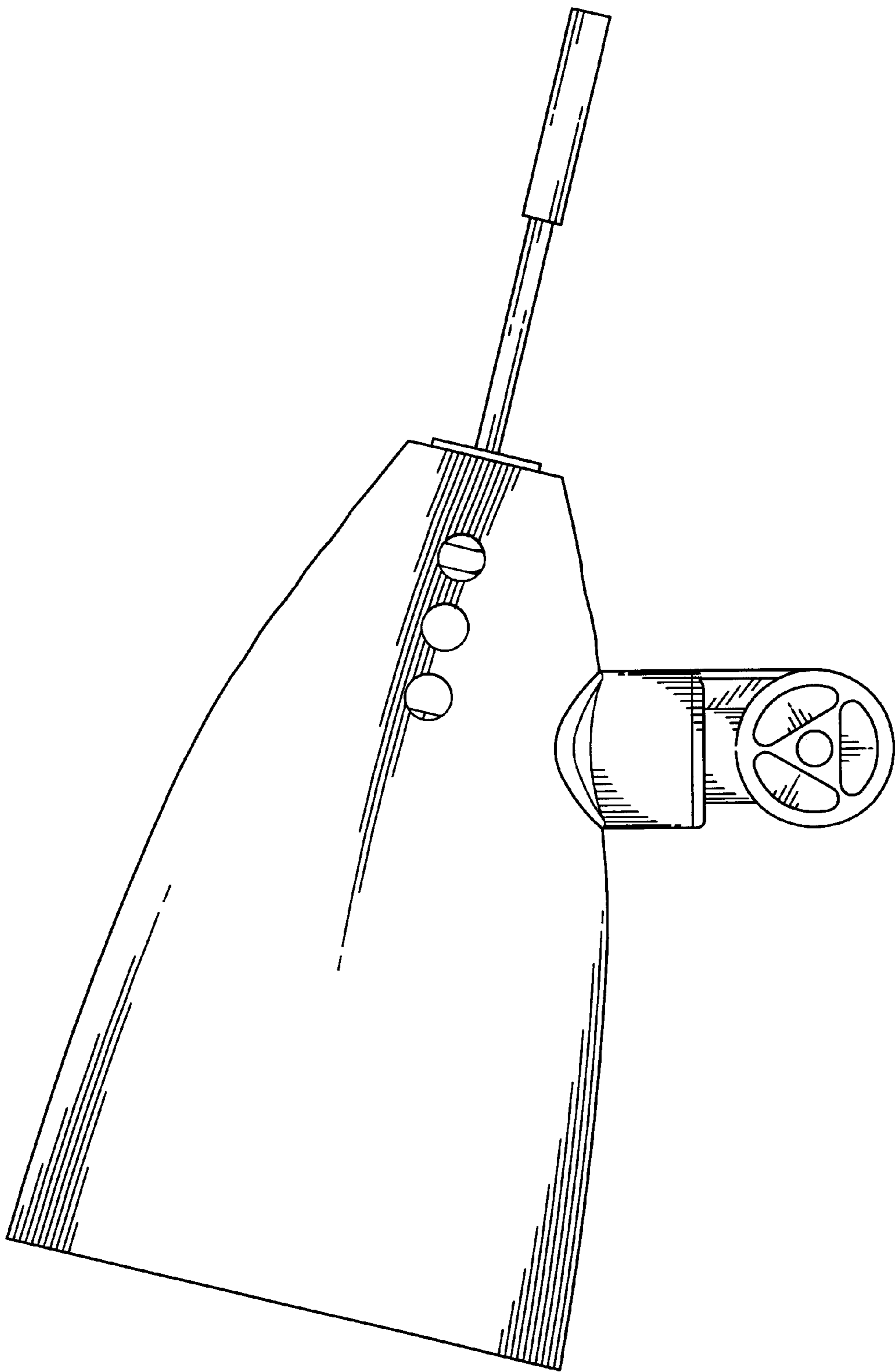


FIG. 5

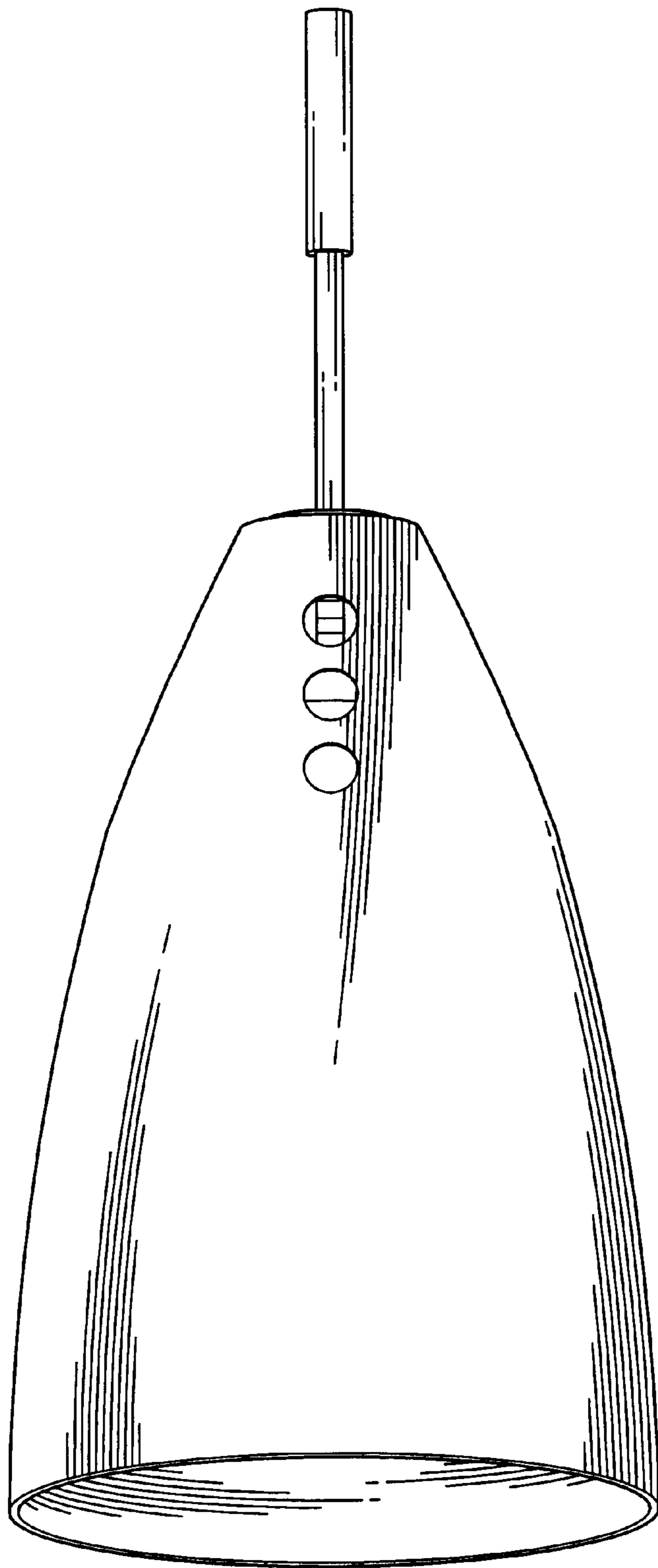


FIG. 6

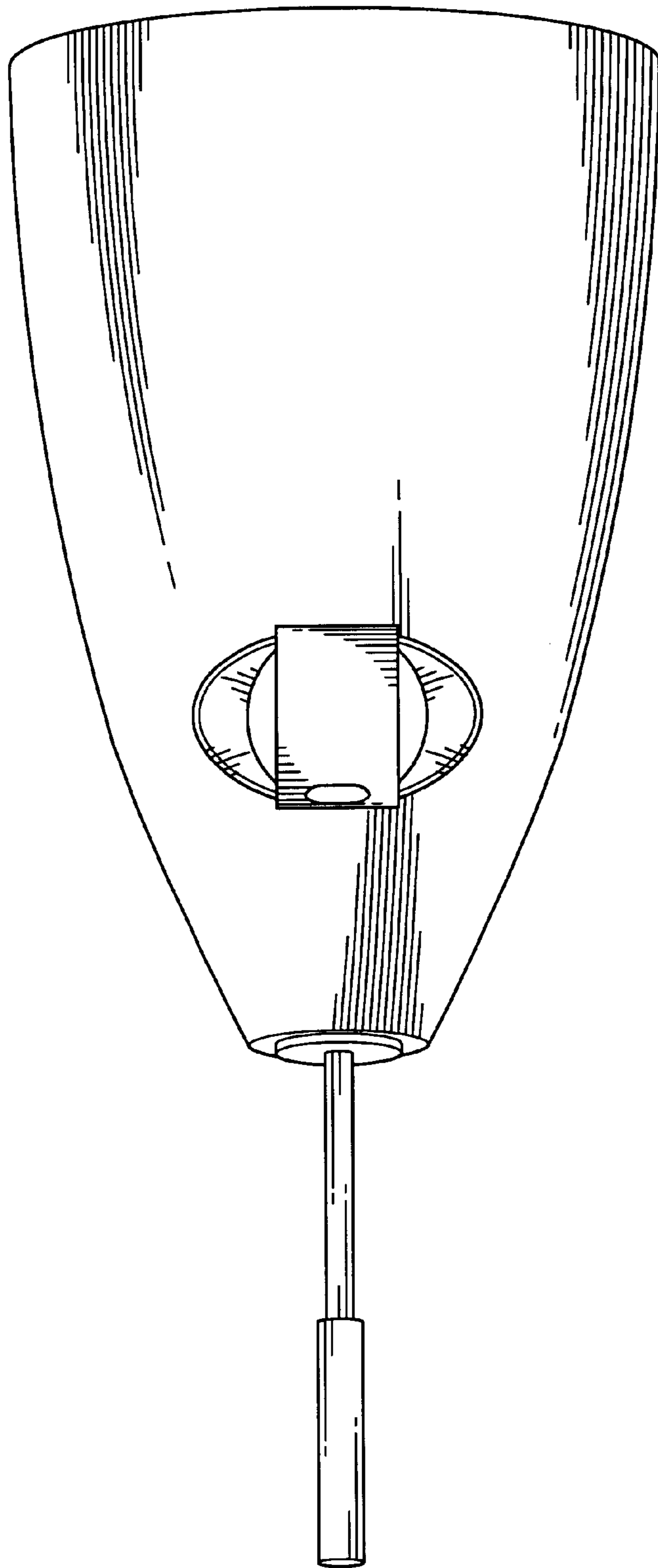


FIG. 7

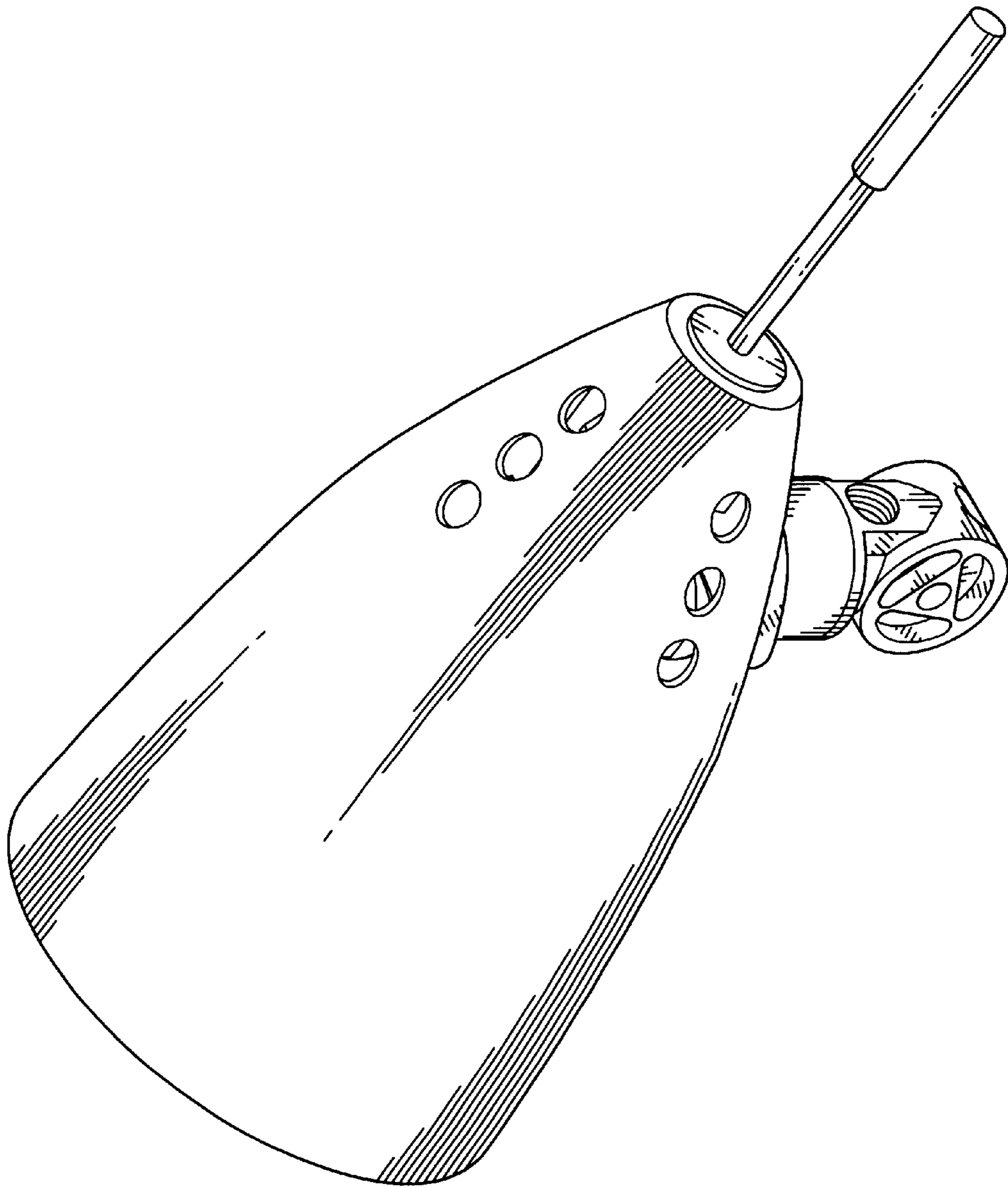


FIG. 8

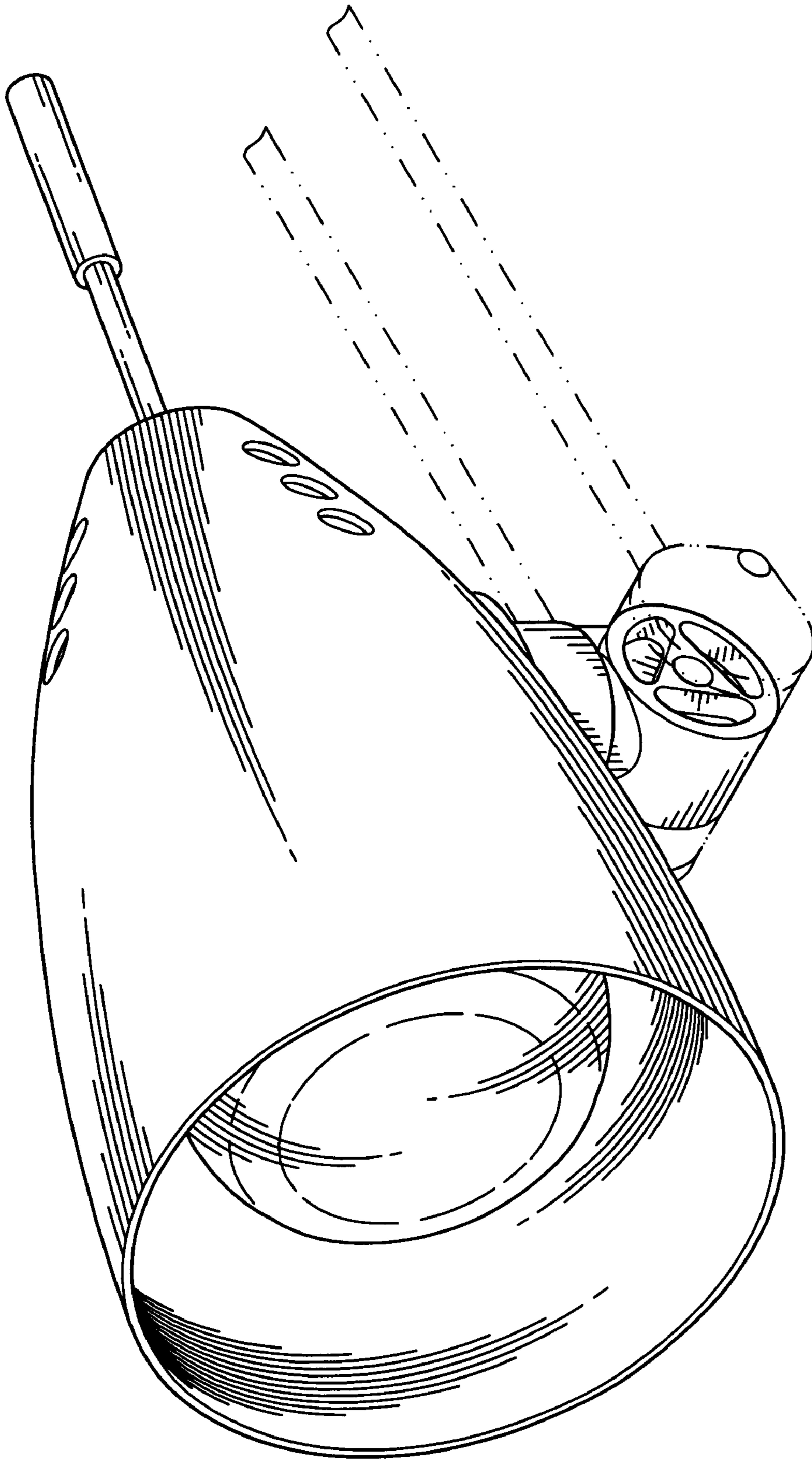


FIG. 9