



US00D470960S

(12) **United States Design Patent**
Kung

(10) **Patent No.:** **US D470,960 S**

(45) **Date of Patent:** **** Feb. 25, 2003**

(54) **LANTERN**

D428,173 S * 7/2000 Lynch et al. D26/42

(75) Inventor: **Kenneth Kung**, Tai Tam (HK)

* cited by examiner

(73) Assignee: **Tung Fat Industries Ltd.**, Hong Kong (CN)

Primary Examiner—Marcus A. Jackson
(74) *Attorney, Agent, or Firm*—Ladas & Parry

(**) Term: **14 Years**

(57) **CLAIM**

The ornamental design for a “lantern”, as shown.

(21) Appl. No.: **29/158,582**

DESCRIPTION

(22) Filed: **Apr. 5, 2002**

(51) **LOC (7) Cl.** **26-02**

FIG. 1 is a front perspective view of a lantern of this invention;

(52) **U.S. Cl.** **D26/42**

FIG. 2 is a front view thereof;

(58) **Field of Search** D26/37–50; 362/157, 362/158, 171, 172, 173, 183–208

FIG. 3 is a rear view thereof;

FIG. 4 is a right view thereof;

FIG. 5 is a left view thereof;

FIG. 6 is a top plan view thereof; and,

FIG. 7 is a bottom plan view thereof.

(56) **References Cited**

U.S. PATENT DOCUMENTS

D393,915 S * 4/1998 Yuen D26/42

D424,222 S * 5/2000 Leung D26/42

1 Claim, 3 Drawing Sheets

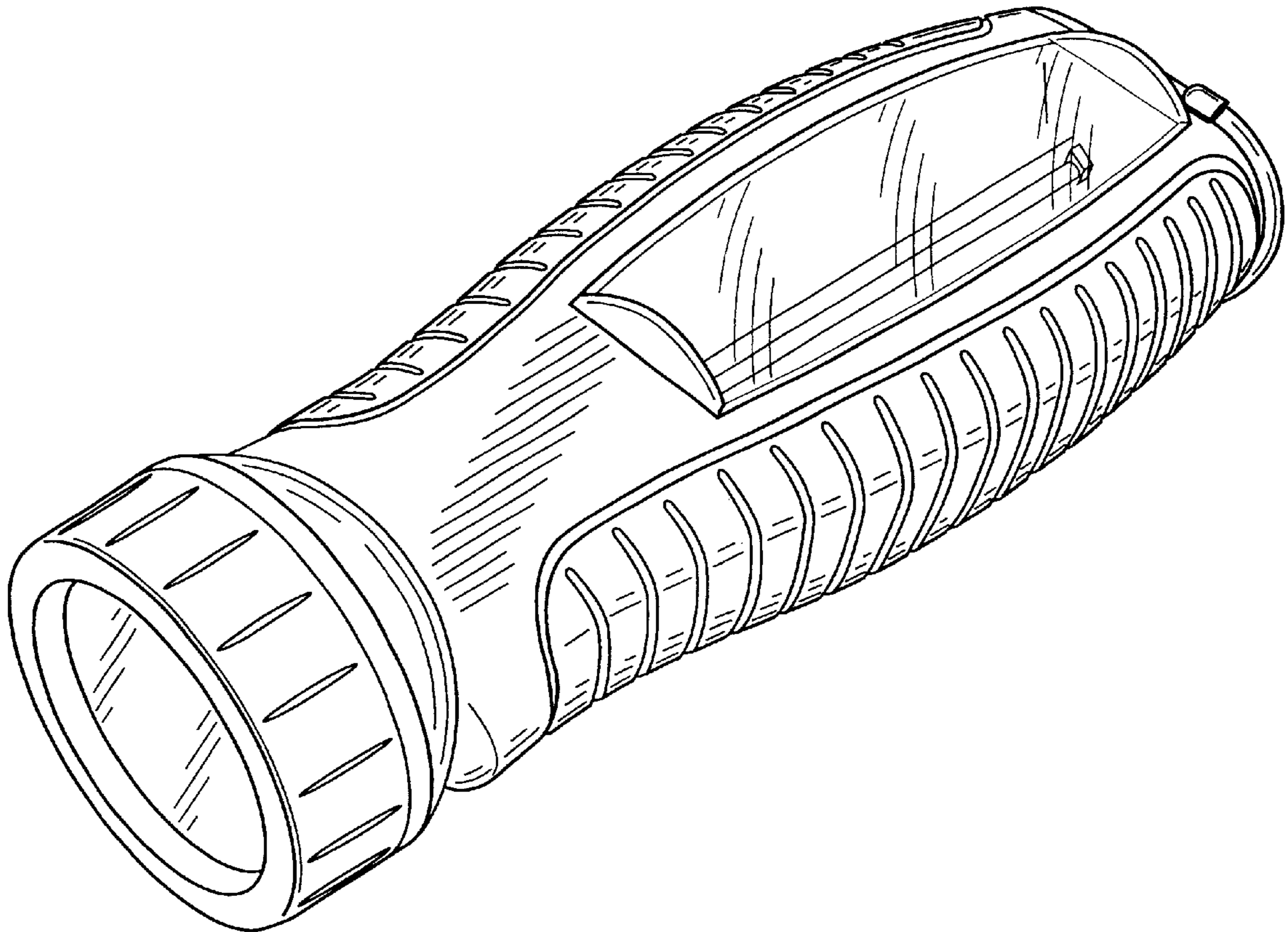


FIG. 1

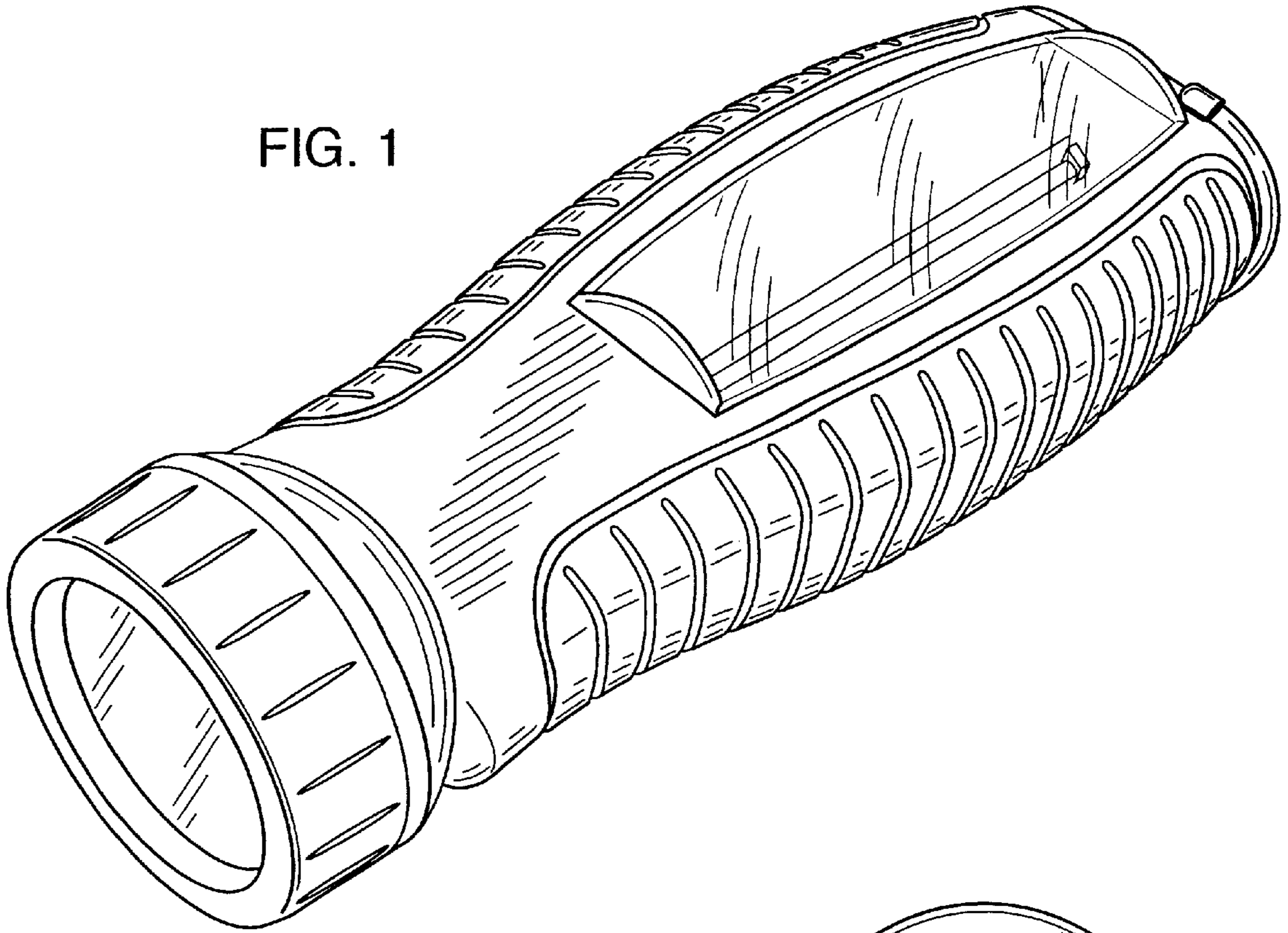


FIG. 2

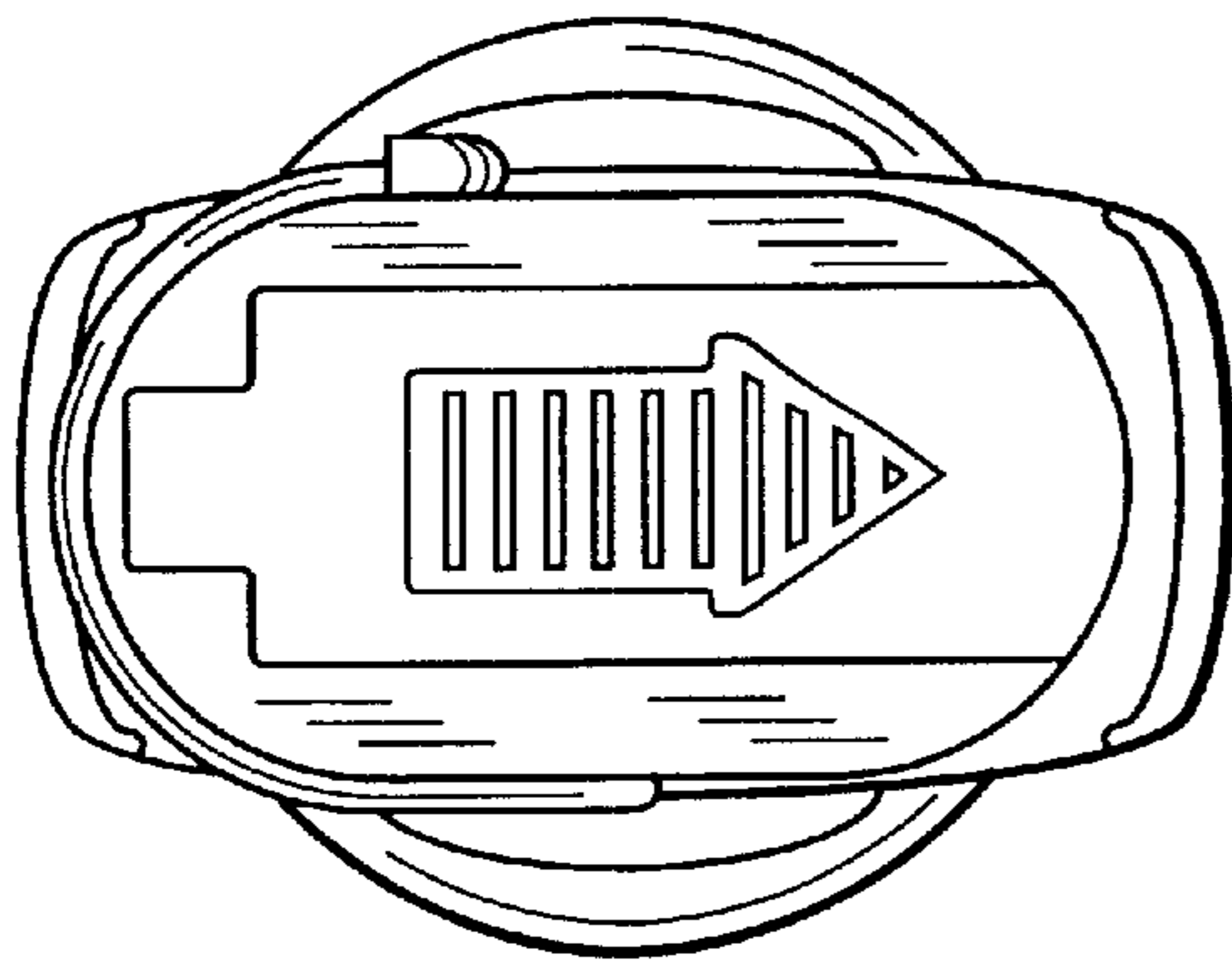
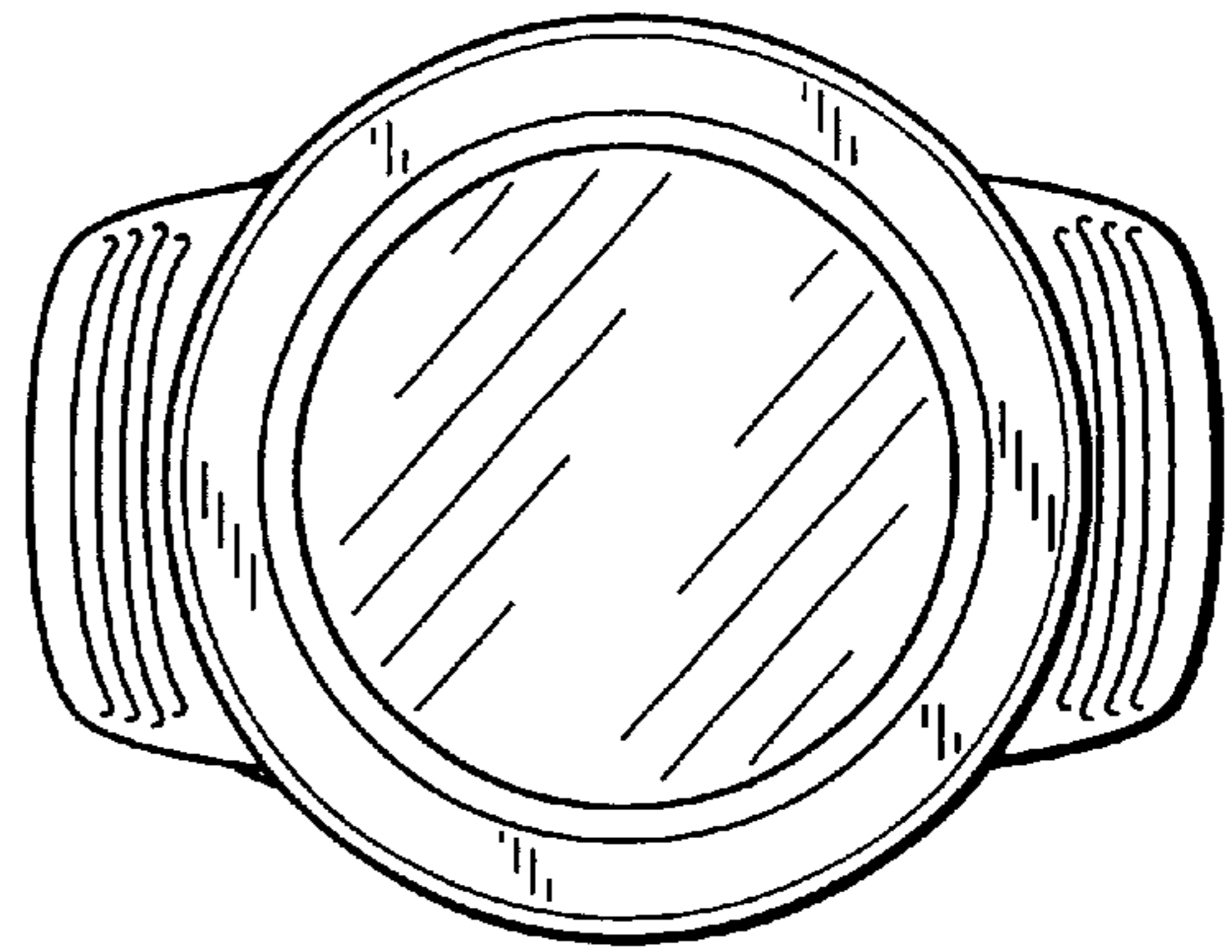


FIG. 3

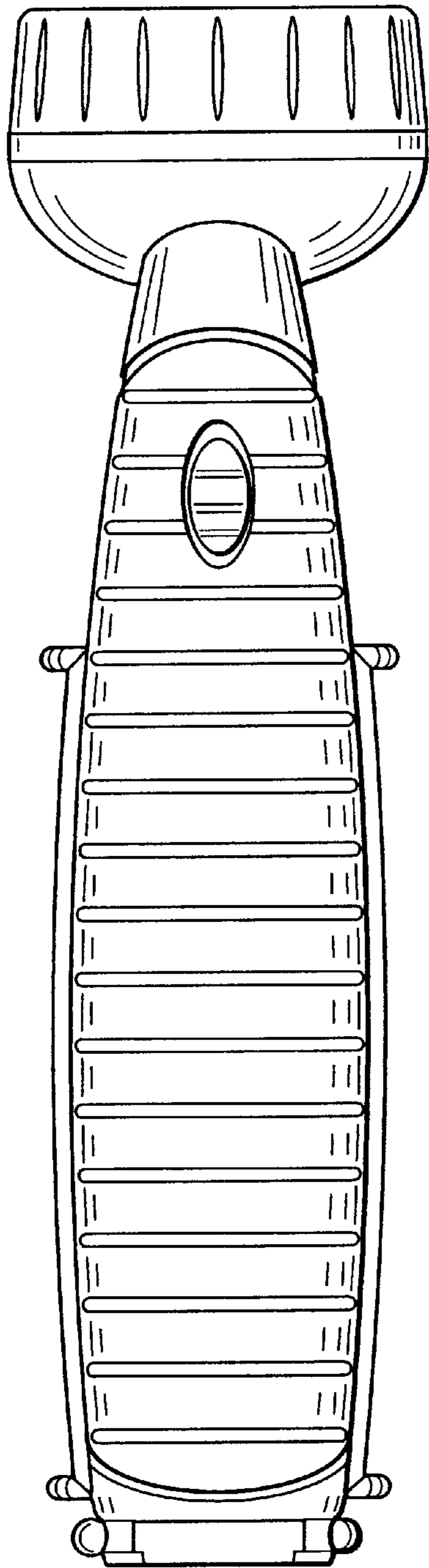


FIG. 4

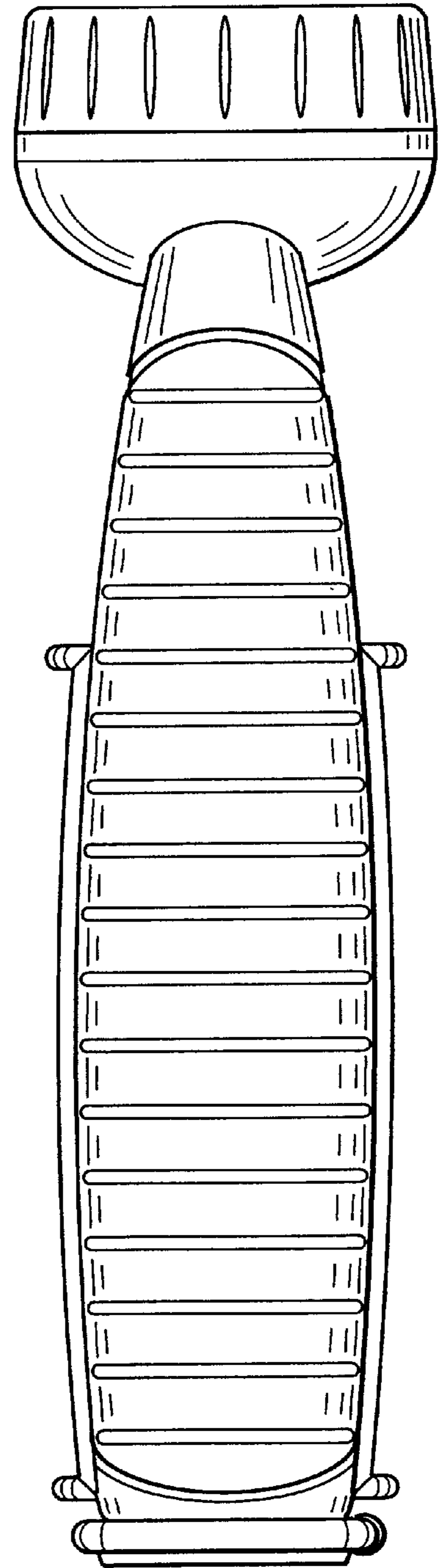


FIG. 5

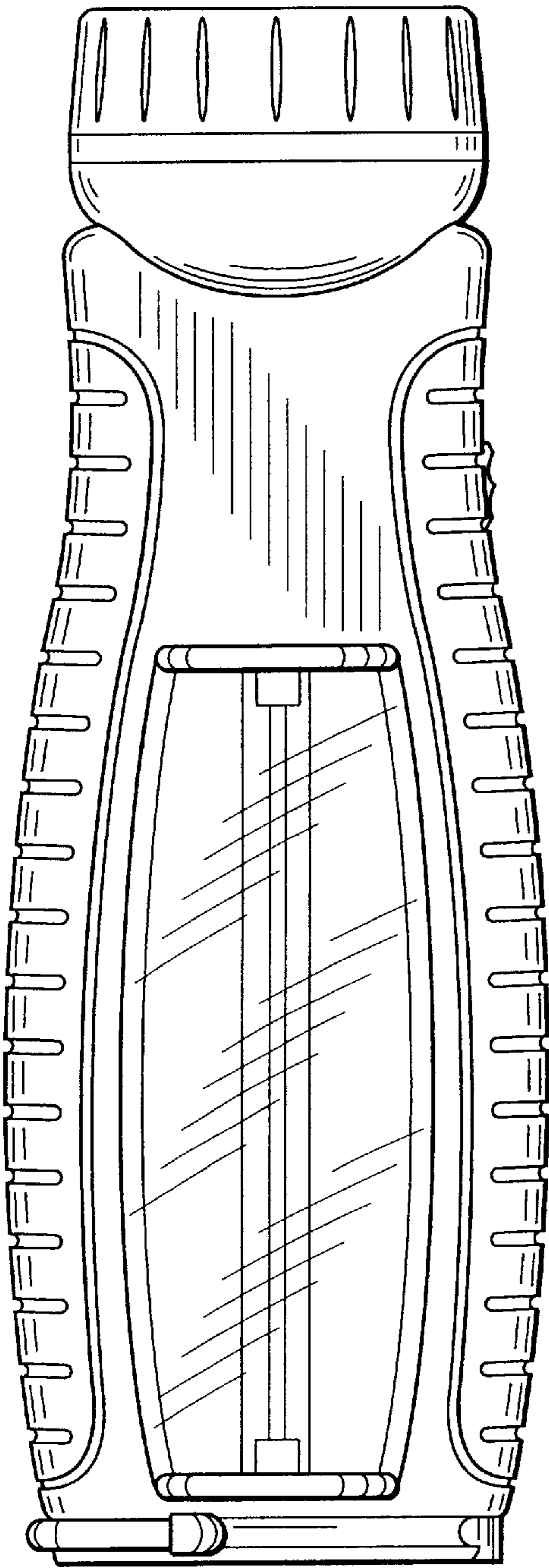


FIG. 7

FIG. 6

