



US00D470959S

(12) **United States Design Patent**
Lai

(10) **Patent No.:** **US D470,959 S**

(45) **Date of Patent:** **** Feb. 25, 2003**

(54) **TWIN TORCH**

(76) Inventor: **Kevin Lai**, Flat N, 10/F., Everest Industrial Center, 396 Kwun Tong Road, Kowloon, Hong Kong (CN)

(**) Term: **14 Years**

(21) Appl. No.: **29/142,638**

(22) Filed: **May 30, 2001**

(51) **LOC (7) Cl.** **26-02**

(52) **U.S. Cl.** **D26/37**

(58) **Field of Search** D26/72-92, 37-50;
362/157, 158, 171, 173, 183-208

(56) **References Cited**

U.S. PATENT DOCUMENTS

5,475,368	A	*	12/1995	Collins	340/573
D374,492	S	*	10/1996	Coe	D26/37
5,893,631	A	*	4/1999	Padden	362/201
D439,352	S	*	3/2001	Lai	D26/37
D443,086	S	*	5/2001	van Klinken	D26/37
6,270,234	B1	*	8/2001	Au-Yeung	362/189

* cited by examiner

Primary Examiner—Alan P. Douglas

Assistant Examiner—Clare E. Heflin

(74) *Attorney, Agent, or Firm*—Sherman D. Pernia

(57) **CLAIM**

The ornamental design for a twin torch, as shown.

DESCRIPTION

FIG. 1 is a reduced front view of a twin torch with the cover in a first of two positions, showing my new design;

FIG. 2 is a back view thereof;

FIG. 3 is a bottom view thereof;

FIG. 4 is a top view thereof;

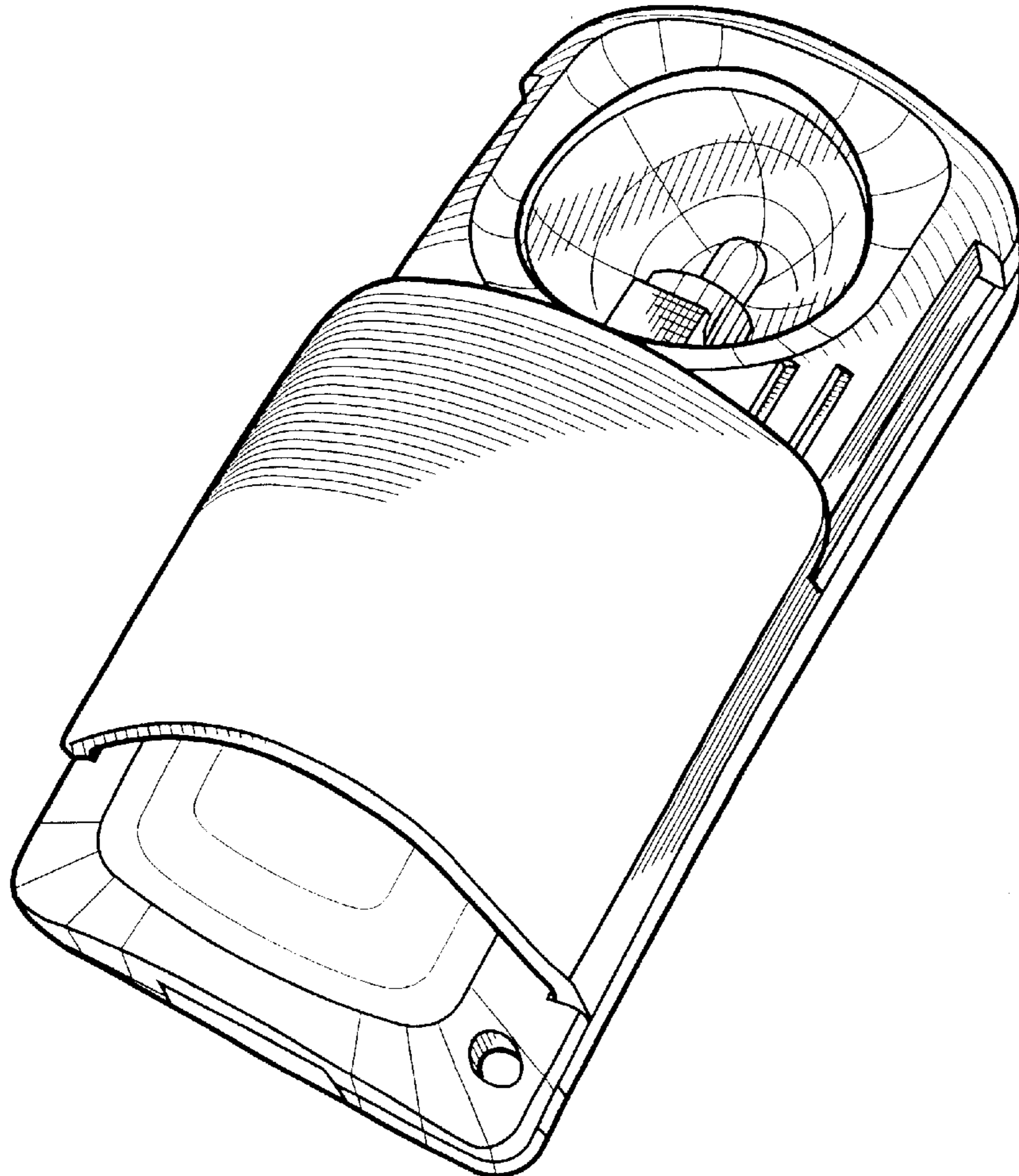
FIG. 5 is a left side view thereof;

FIG. 6 is a right side view thereof;

FIG. 7 is a reduced front perspective view of the twin torch with the cover in the first position; and,

FIG. 8 is a front perspective view of the twin torch with the cover in the second position.

1 Claim, 7 Drawing Sheets



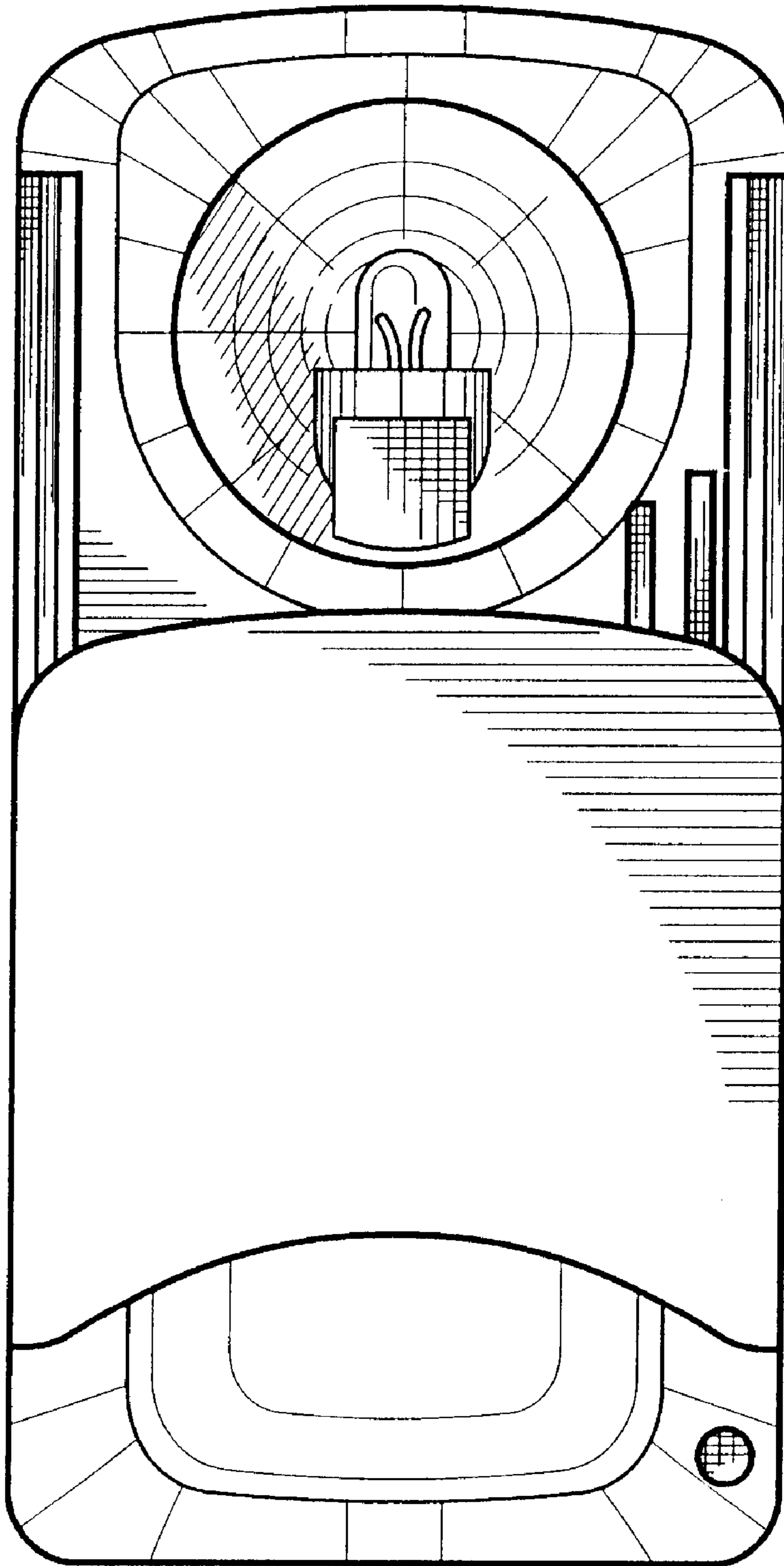


FIGURE 1

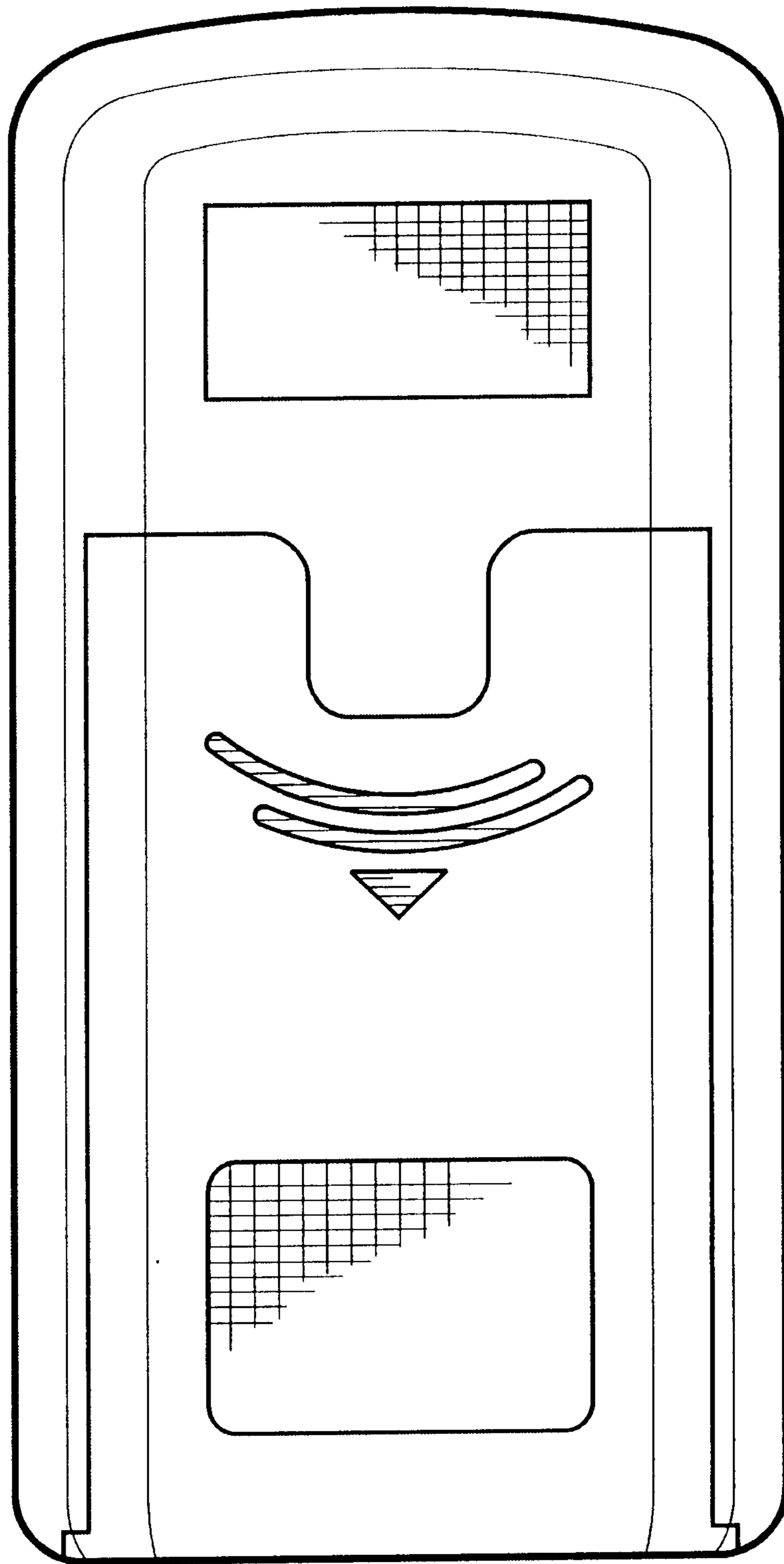


FIGURE 2

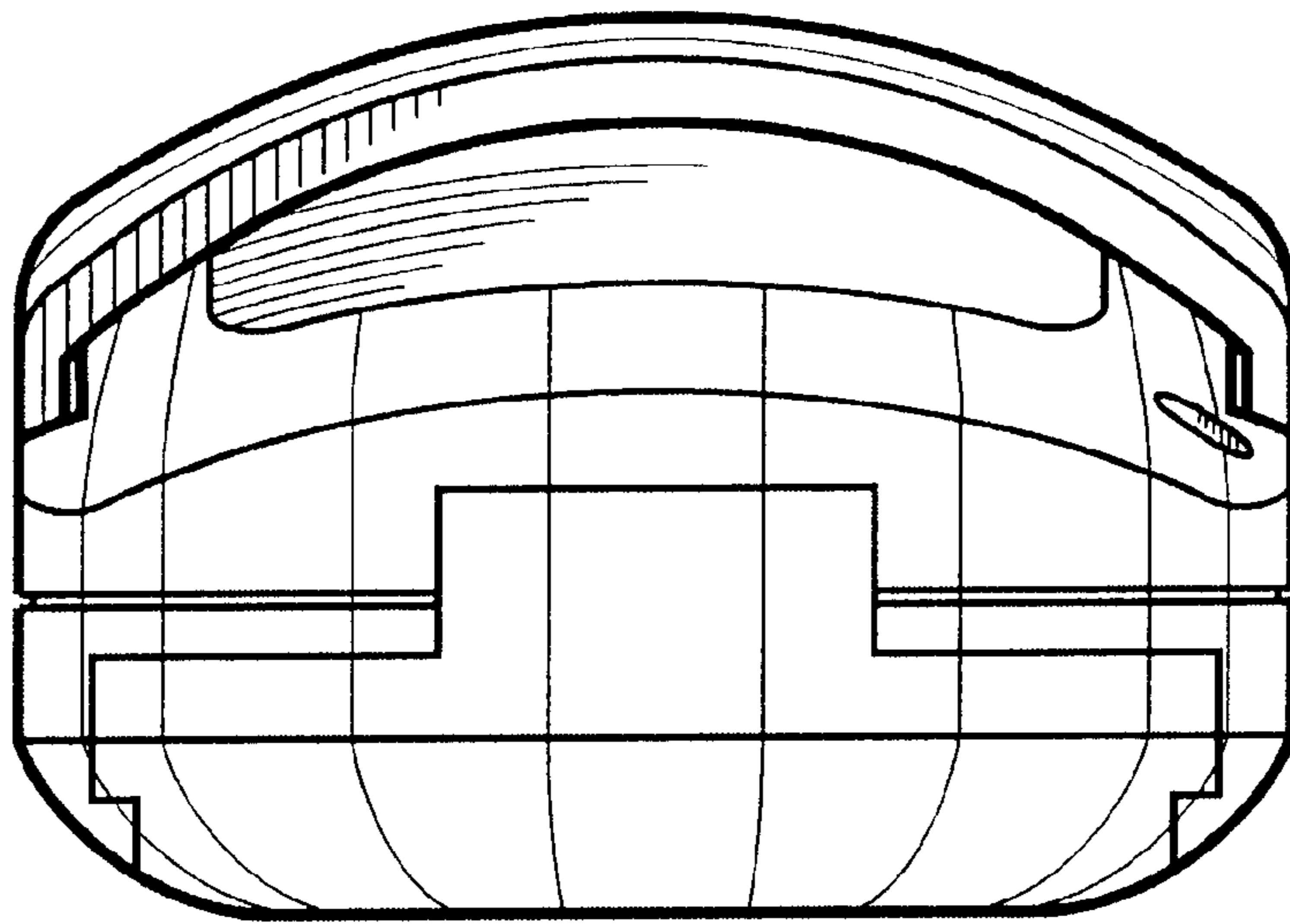


FIGURE 3

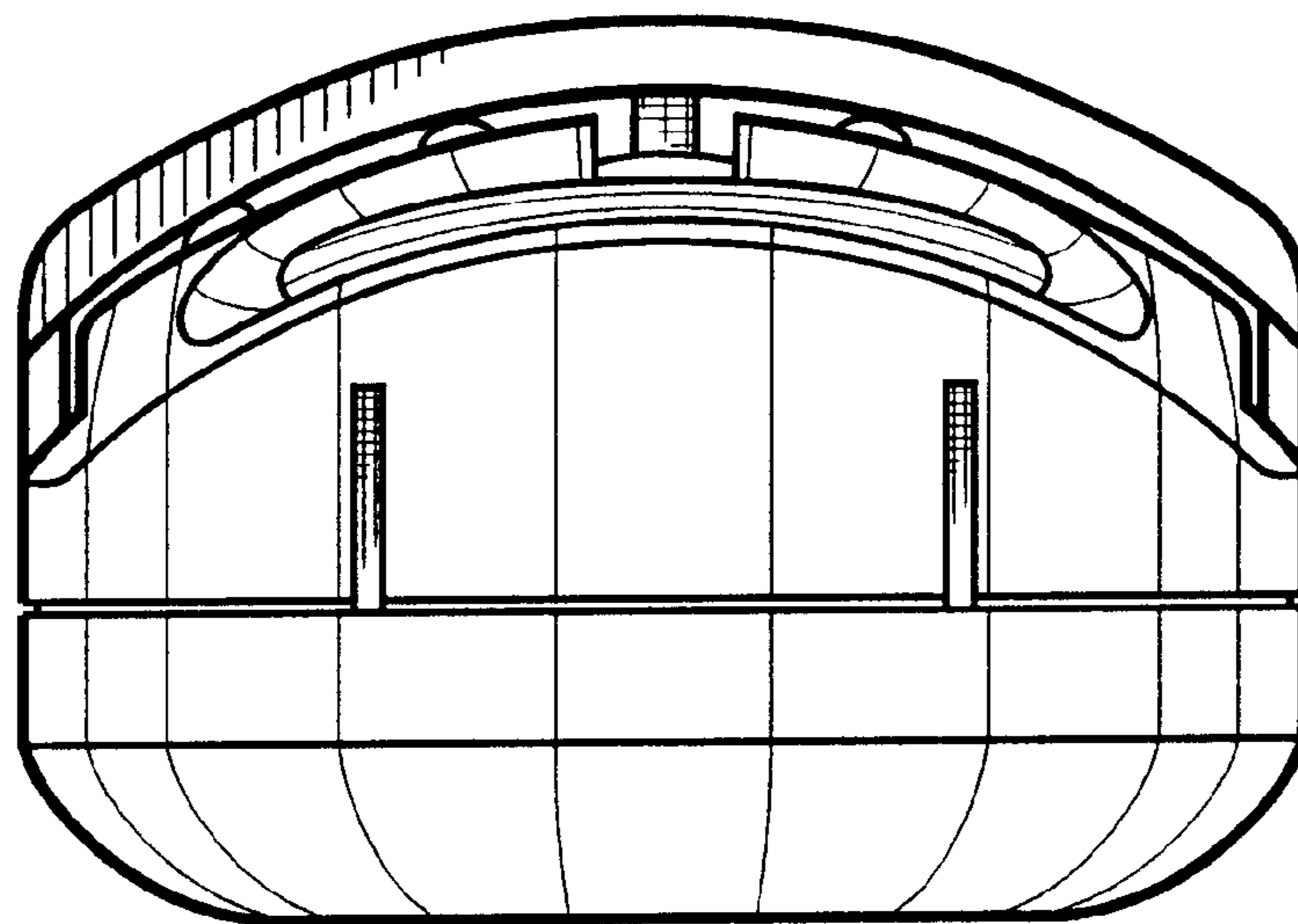


FIGURE 4

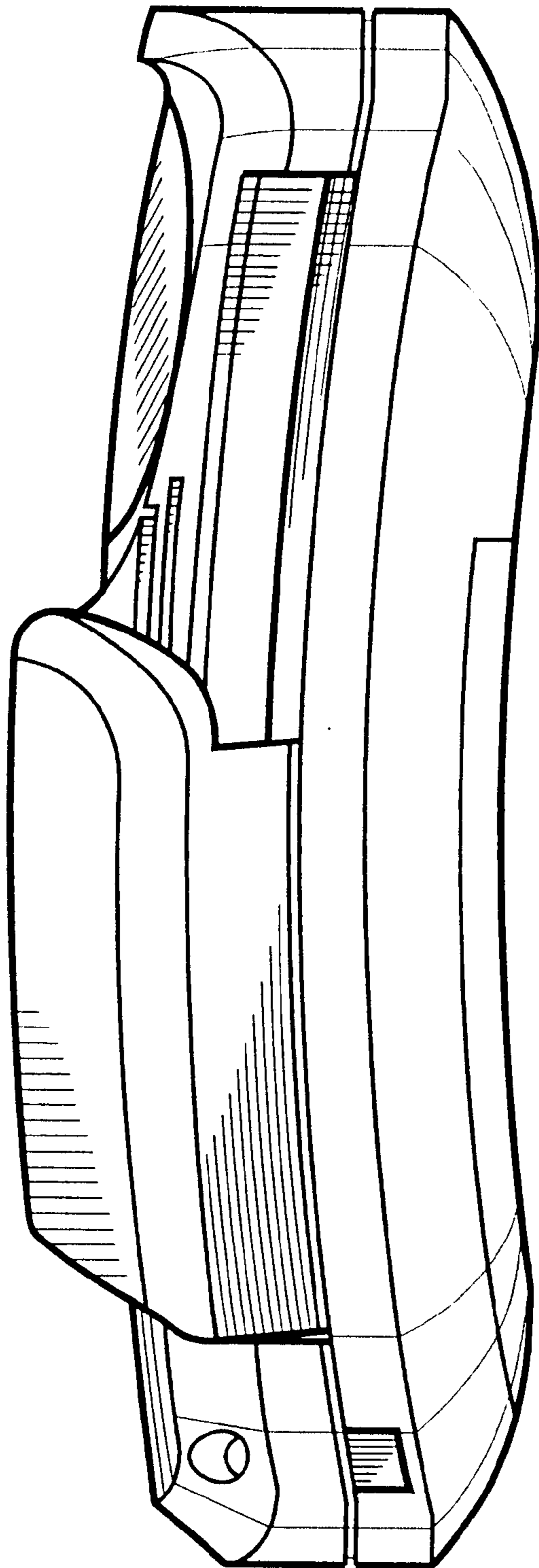


FIGURE 5

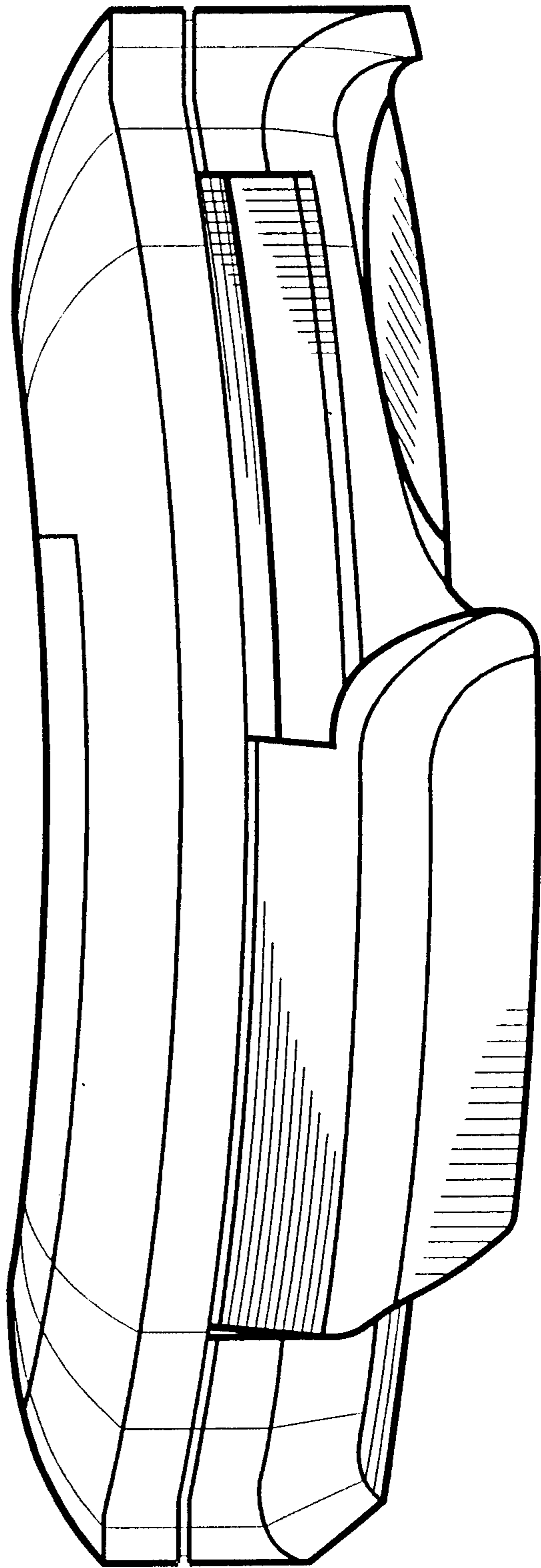


FIGURE 6

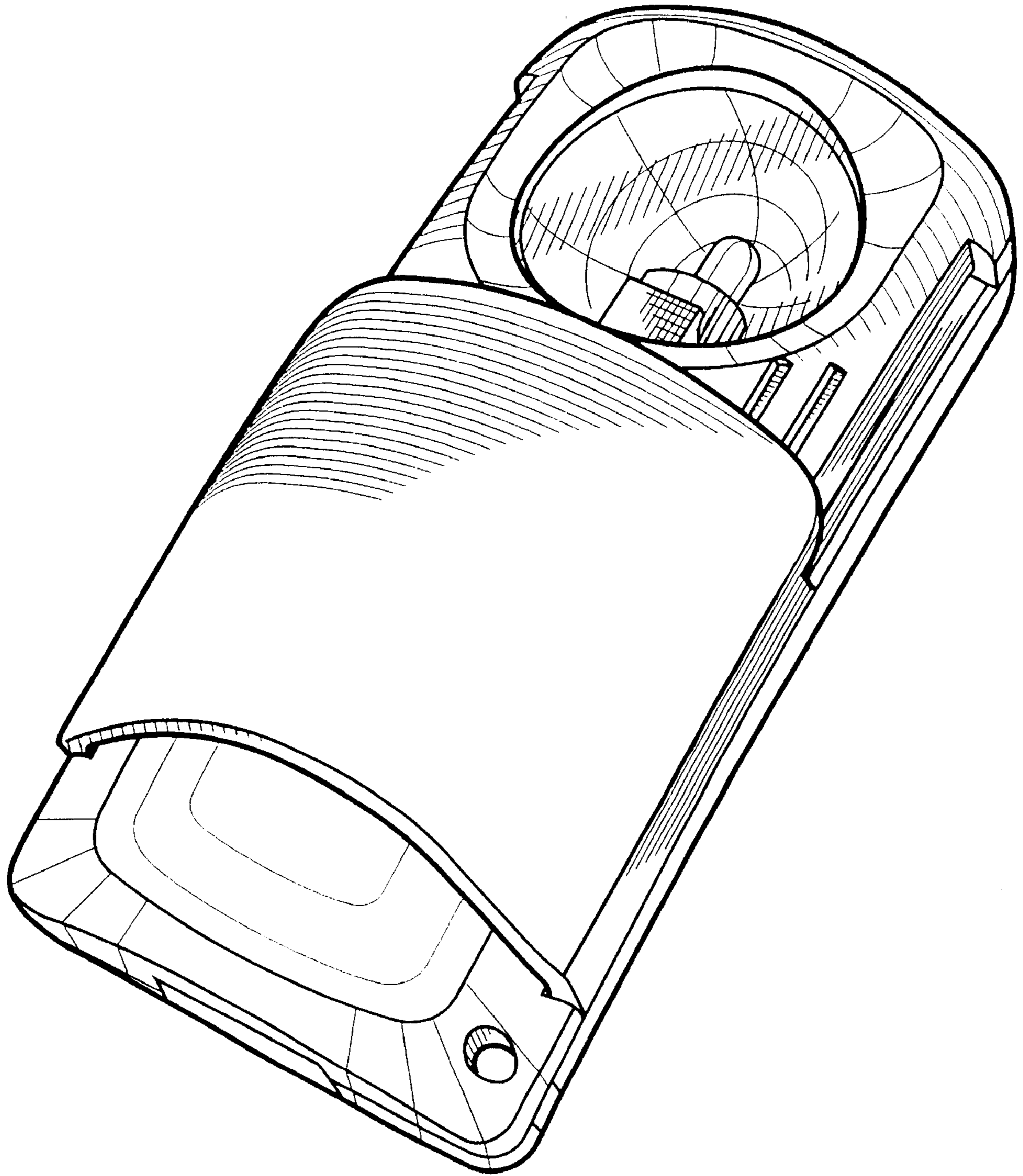


FIGURE 7

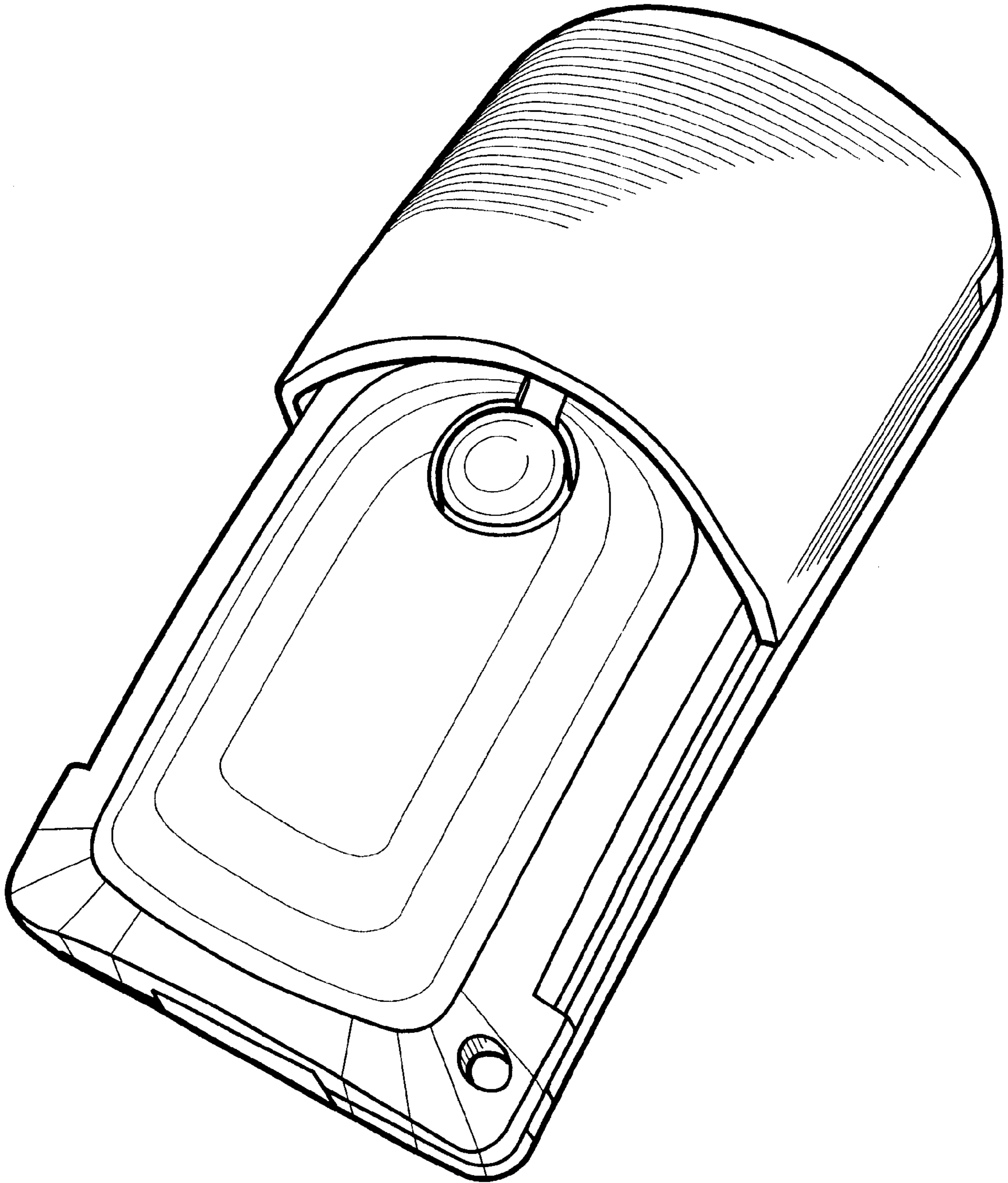


FIGURE 8