



US00D470950S

(12) **United States Design Patent**
Roberts et al.

(10) **Patent No.:** **US D470,950 S**

(45) **Date of Patent:** **** *Feb. 25, 2003**

(54) **SILL**

(75) Inventors: **William G. Roberts**, Beaver, PA (US);
Walter W. Stucky, Beaver Falls, PA (US)

(73) Assignee: **Veka, Inc.**, Fombell, PA (US)

(*) Notice: This patent is subject to a terminal disclaimer.

(**) Term: **14 Years**

(21) Appl. No.: **29/146,712**

(22) Filed: **Aug. 15, 2001**

(51) **LOC (7) Cl.** **25-01**

(52) **U.S. Cl.** **D25/124**

(58) **Field of Search** 52/204.5, 204.55,
52/204.56, 204.597, 204.6, 204.61, 204.63,
204.71, 656.7, 656.2, 656.5; 49/504, 505;
D25/124, 125

(56) **References Cited**

U.S. PATENT DOCUMENTS

D450,393 S * 11/2001 Roberts et al. D25/124

* cited by examiner

Primary Examiner—Doris Clark

(74) *Attorney, Agent, or Firm*—Cohen & Grigsby, P.C.

(57) **CLAIM**

The ornamental design for sill, substantially as shown.

DESCRIPTION

FIG. 1 is a perspective view of the sill, showing my new design.

FIG. 2 is a front elevational view of the sill.

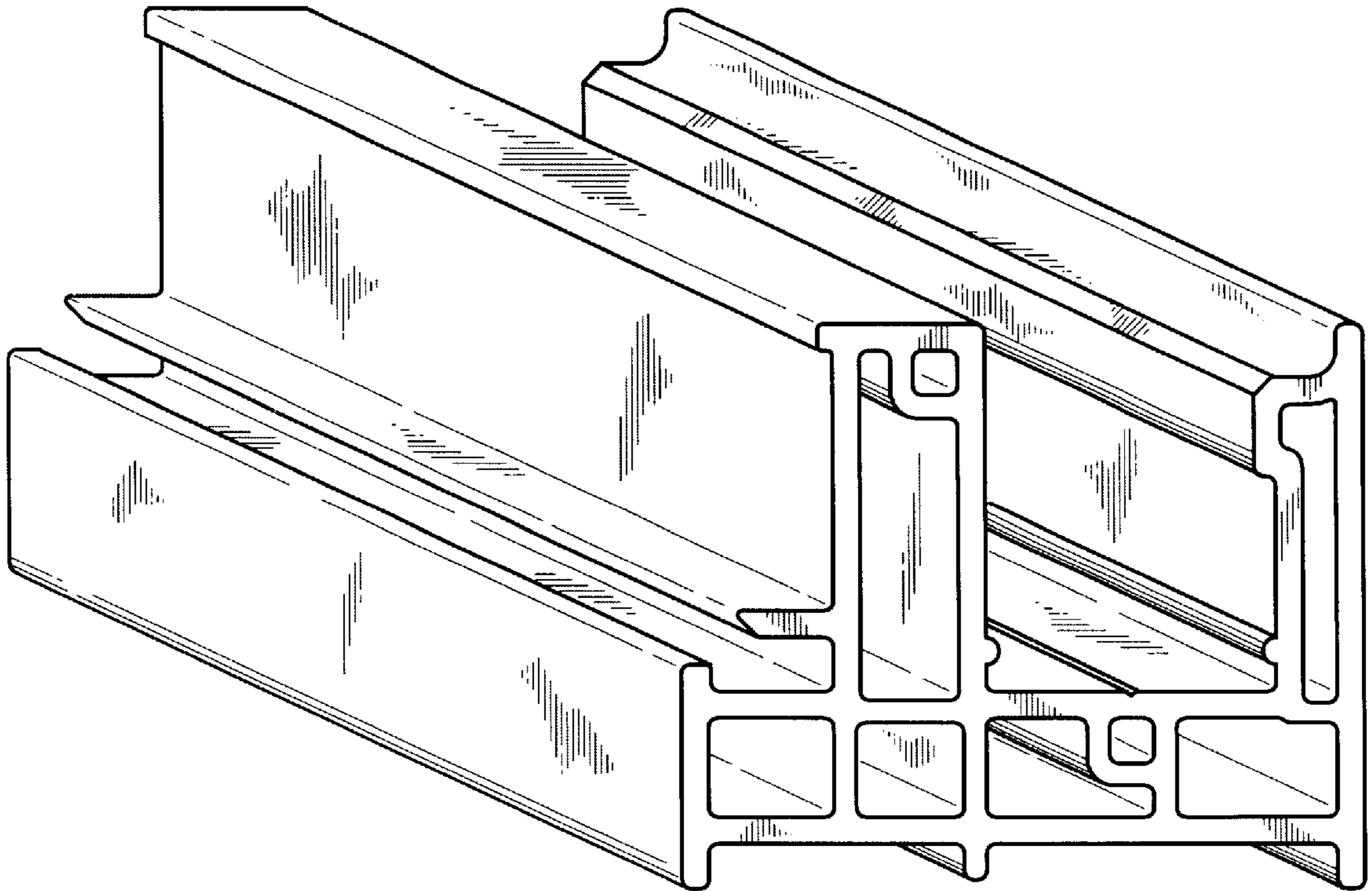
FIG. 3 is a left side elevational view of the sill.

FIG. 4 is a right side elevational view of the sill.

FIG. 5 is a top plan view of the sill; and,

FIG. 6 is a bottom plan view of the sill.

1 Claim, 6 Drawing Sheets



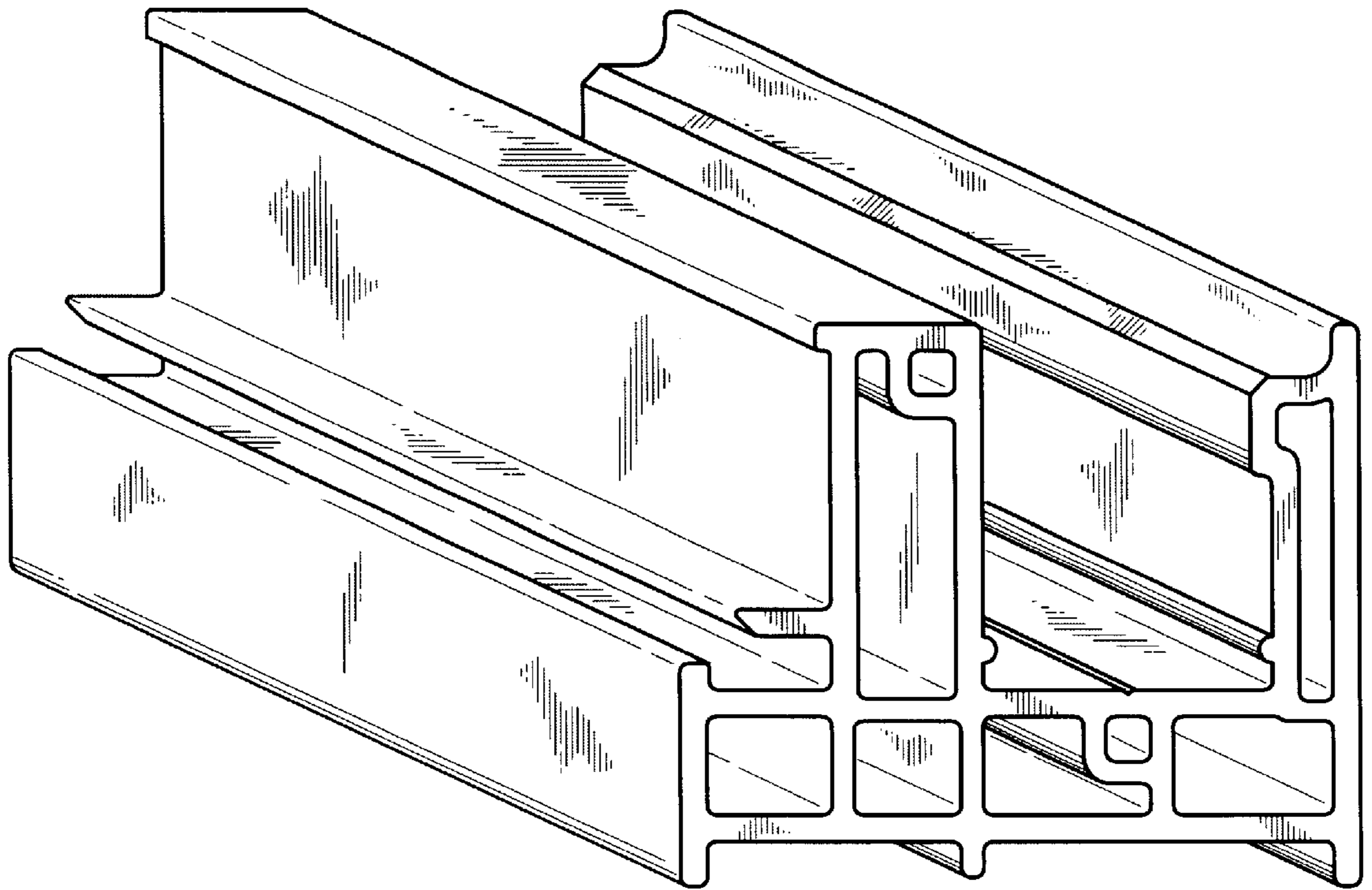


FIG. 1

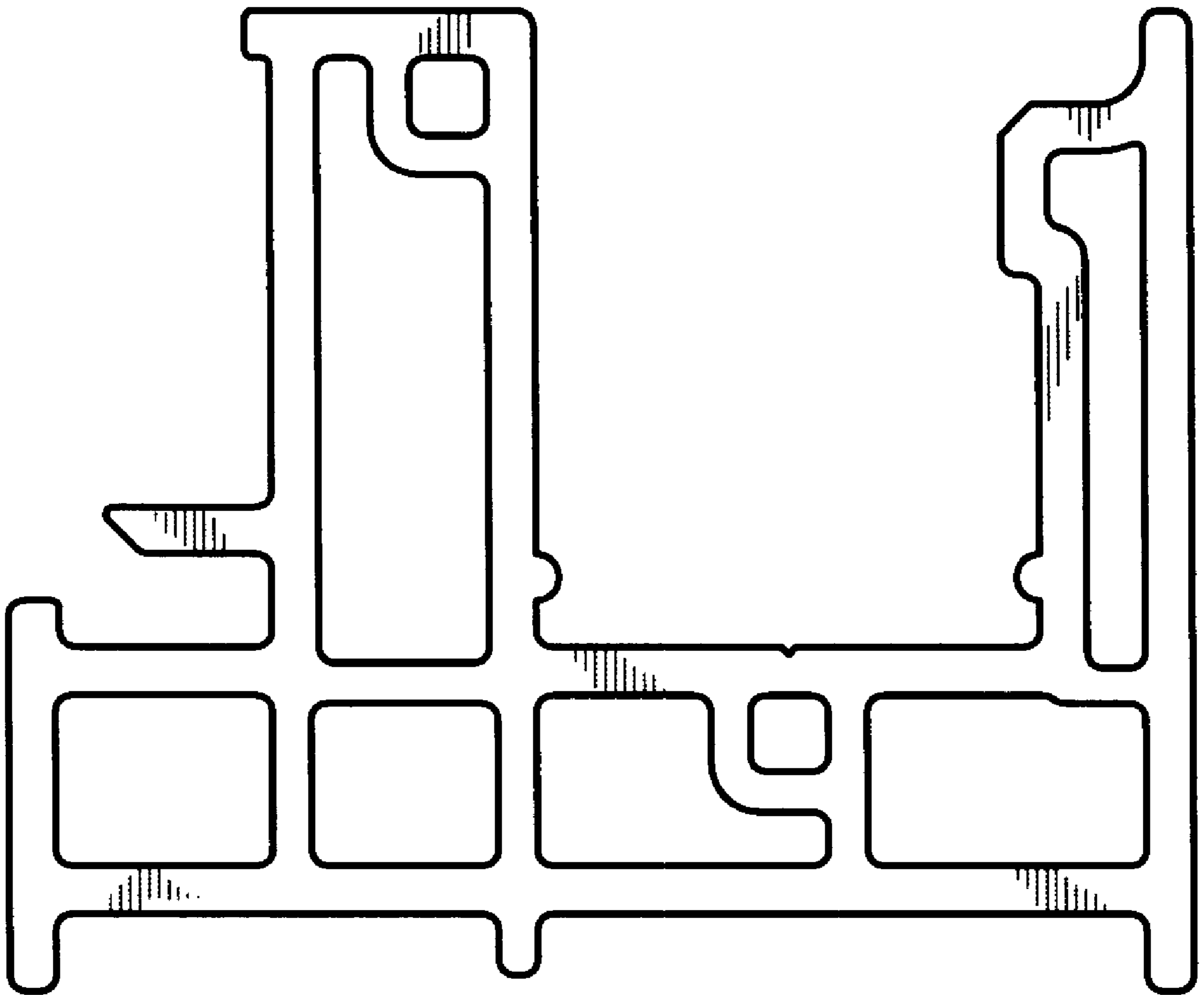


FIG. 2

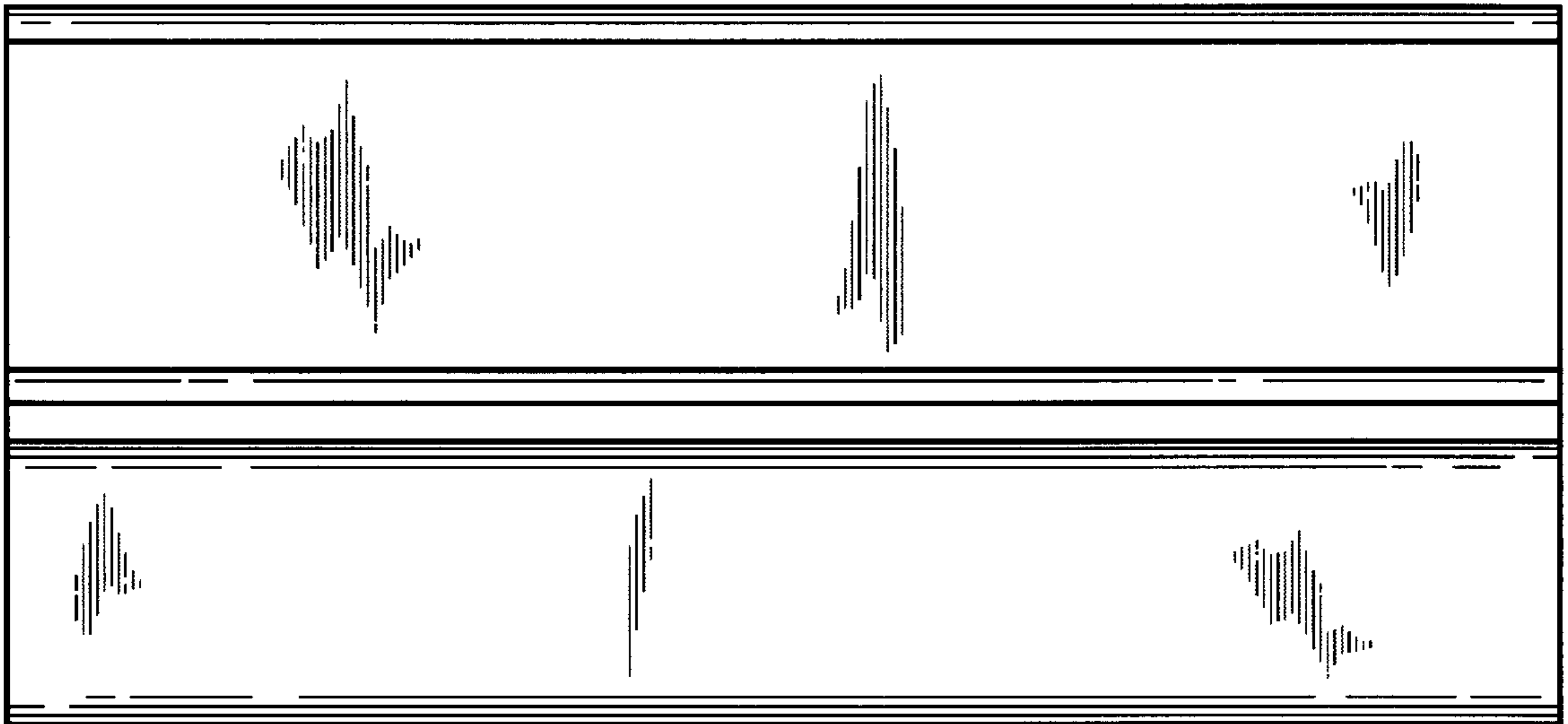


FIG. 3

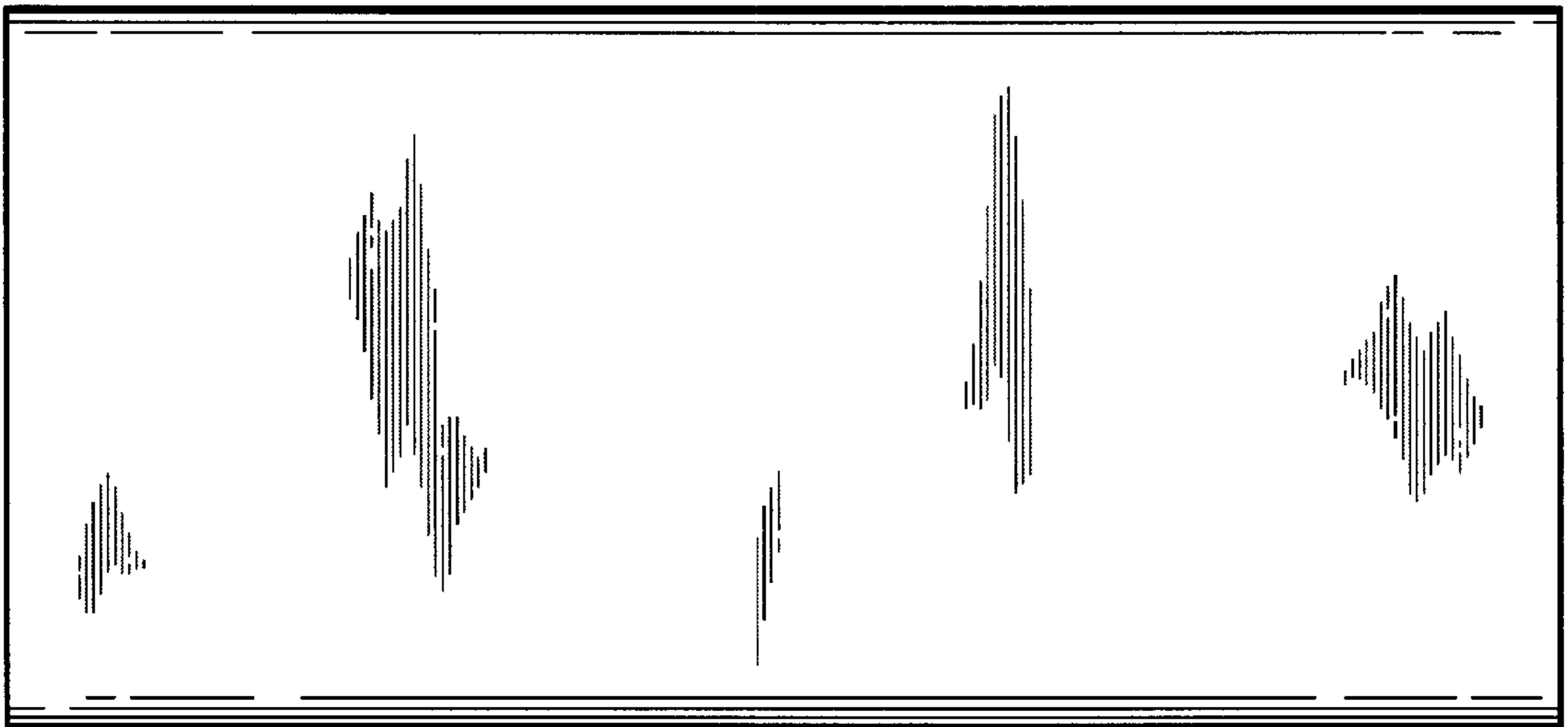


FIG. 4

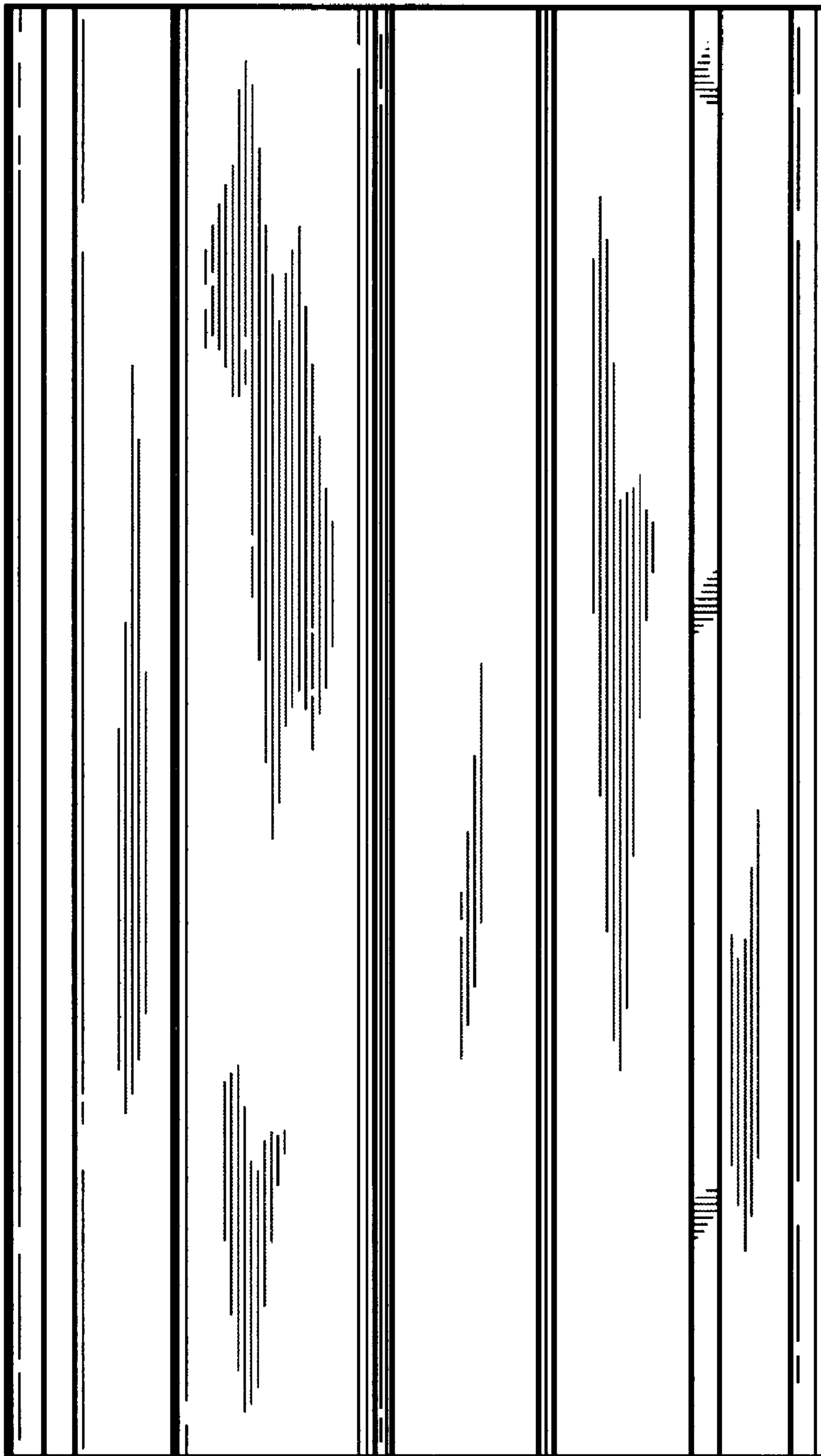


FIG. 5

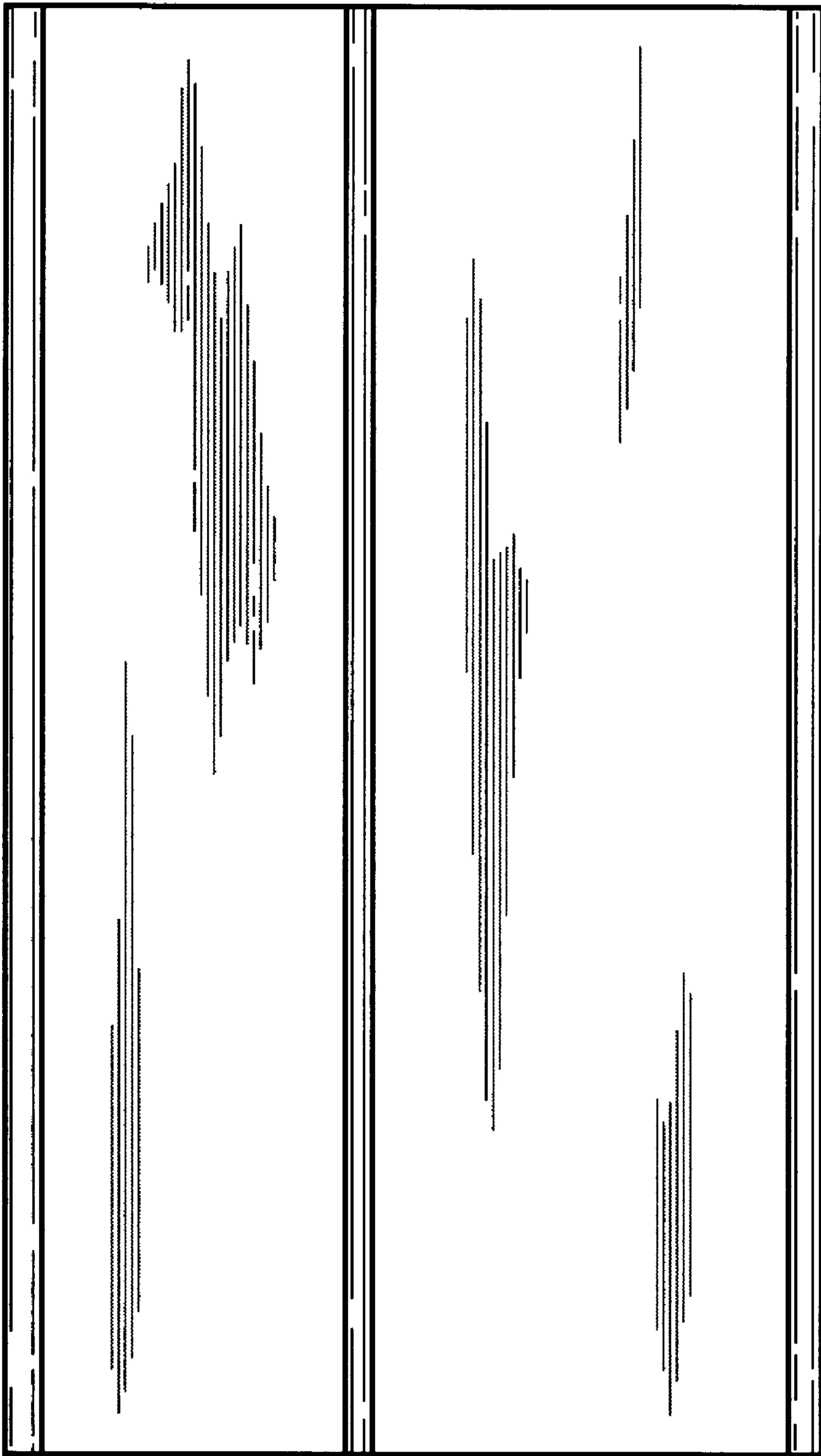


FIG. 6