



US00D470949S

(12) **United States Design Patent**
Fullen

(10) **Patent No.:** **US D470,949 S**

(45) **Date of Patent:** **** Feb. 25, 2003**

(54) **FLANGE STEP**

(76) Inventor: **Cathy A. Fullen**, P.O. Box 404,
Waskom, TX (US) 75692

(**) Term: **14 Years**

(21) Appl. No.: **29/163,563**

(22) Filed: **Jul. 9, 2002**

(51) **LOC (7) Cl.** **25-04**

(52) **U.S. Cl.** **D25/69**

(58) **Field of Search** D25/62, 69; 182/173,
182/230

(56) **References Cited**

U.S. PATENT DOCUMENTS

4,290,495	A	9/1981	Elliston
5,379,861	A	1/1995	Amacker
5,704,427	A	1/1998	Buck et al.
5,954,158	A	9/1999	Concepcion

D433,761 S * 11/2000 Phillips D25/62
D434,158 S * 11/2000 Armstrong et al. D25/69
6,234,253 B1 5/2001 Dallas

* cited by examiner

Primary Examiner—Doris Clark

(74) *Attorney, Agent, or Firm*—R. L. Mikesell

(57) **CLAIM**

The design for a flange step, as shown and described.

DESCRIPTION

FIG. 1 is a Top left perspective view.

FIG. 2 is a Top plan view

FIG. 3 is a Bottom plan view

FIG. 4 is a Side elevation view

FIG. 5 is a Front elevation view; and,

FIG. 6 is a Rear elevation view

1 Claim, 1 Drawing Sheet

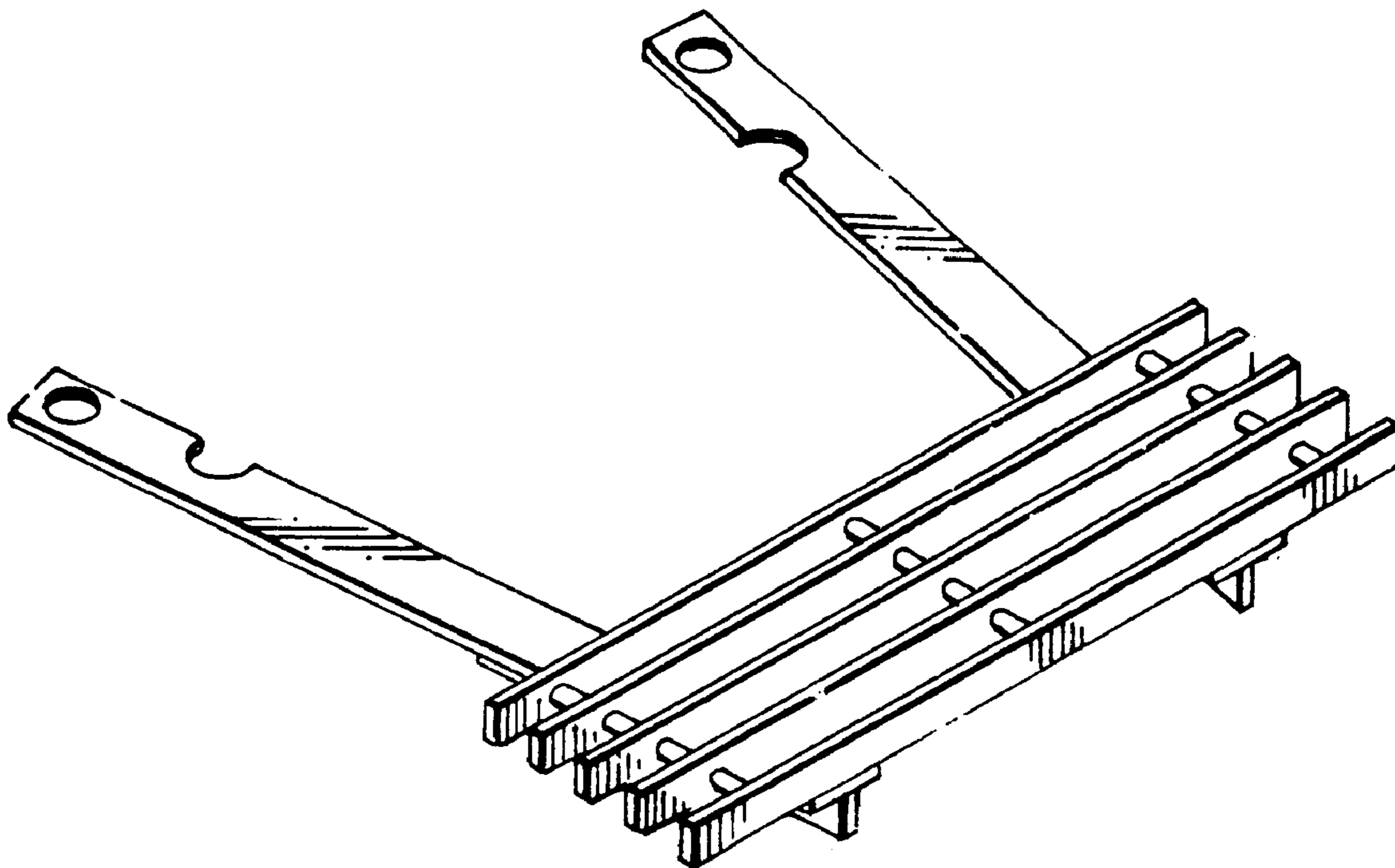


FIG. 1

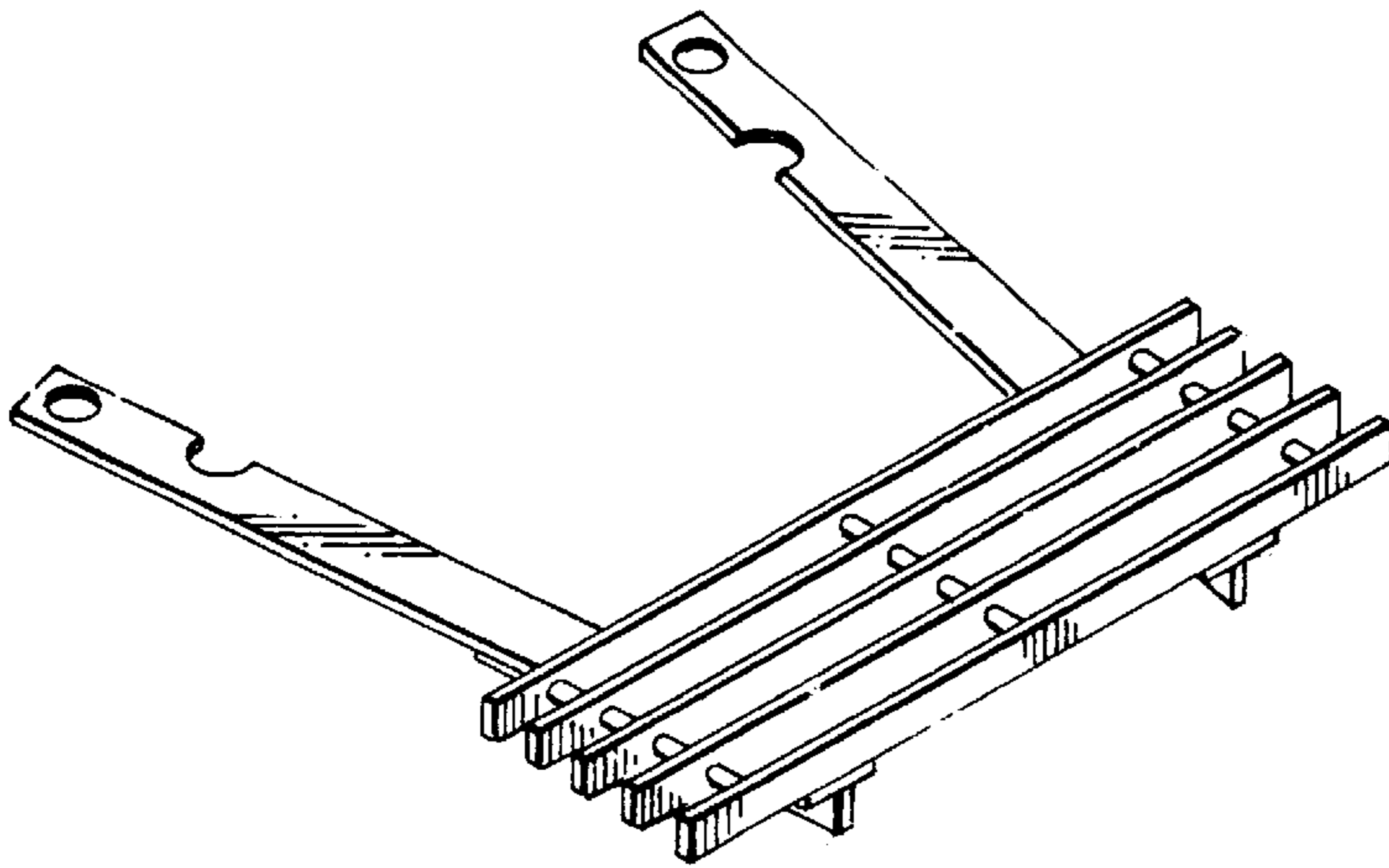


FIG. 4



FIG. 2

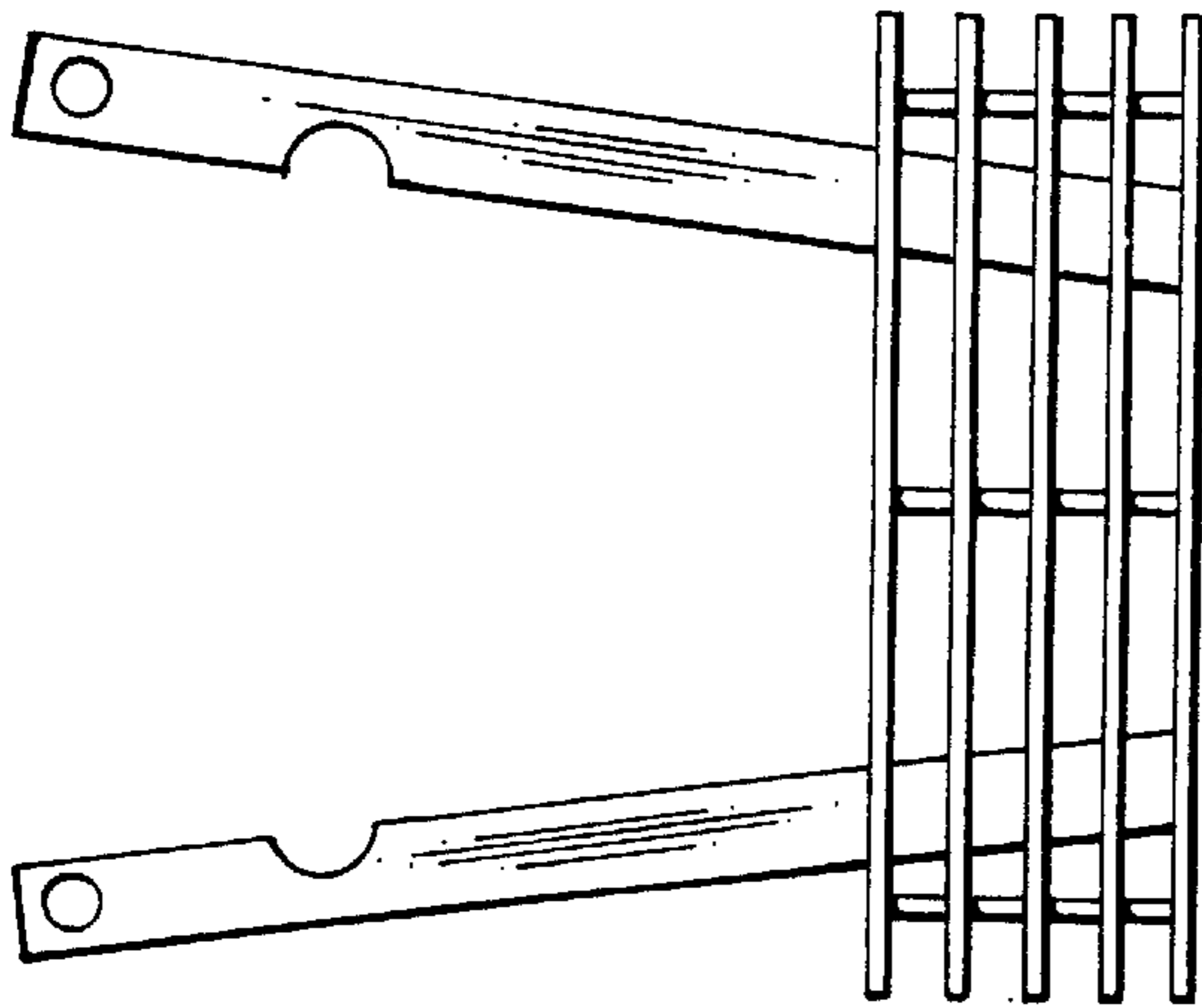


FIG. 5

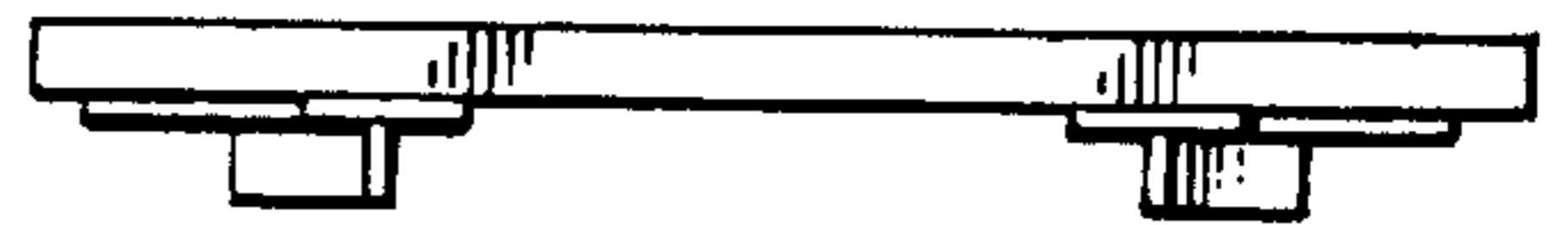


FIG. 6

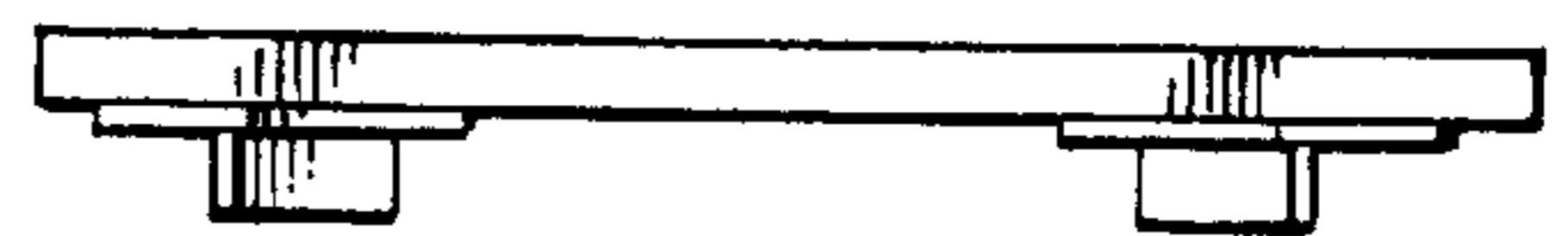


FIG. 3

