



US00D470948S

(12) **United States Design Patent**
Rumachik

(10) **Patent No.:** **US D470,948 S**

(45) **Date of Patent:** **** Feb. 25, 2003**

(54) **SWIMMING POOL WALL BRACE**

(75) Inventor: **Paul Rumachik**, Kenosha, WI (US)

(73) Assignee: **Kiefer Pool Equipment Co.**, Zion, IL (US)

(**) Term: **14 Years**

(21) Appl. No.: **29/153,964**

(22) Filed: **Jan. 14, 2002**

(51) **LOC (7) Cl.** **25-02**

(52) **U.S. Cl.** **D25/61**

(58) **Field of Search** D25/2, 61; 4/506

(56) **References Cited**

U.S. PATENT DOCUMENTS

D402,043 S * 12/1998 Schall D25/61
5,941,030 A * 8/1999 Williamson 4/506

OTHER PUBLICATIONS

Kiefer Pool Equipment Company, Zion, Illinois, undated brochure "Kiefer Millenium PVC Clad Stainless Steel Pool".

* cited by examiner

Primary Examiner—Doris Clark

(74) *Attorney, Agent, or Firm*—Wood, Phillips, Katz, Clark & Mortimer

(57) **CLAIM**

The ornamental design for a swimming pool wall brace, as shown and described.

DESCRIPTION

FIG. 1 is a perspective view of a swimming pool wall brace showing my new design;

FIG. 2 is a front view thereof;

FIG. 3 is a back view thereof;

FIG. 4 is a top view thereof; and

FIG. 5 is a bottom view thereof;

FIG. 6 is an edge view thereof, as seen from the left edge in FIG. 2; and,

FIG. 7 is an edge view thereof, as seen from the right edge of FIG. 2.

As mounted outside and against a wall of a swimming pool, beneath a gutter of the swimming pool, such a brace is used to brace the wall against outwardly directed forces, which are imparted when the swimming pool is filled with water, and to support the gutter.

1 Claim, 3 Drawing Sheets

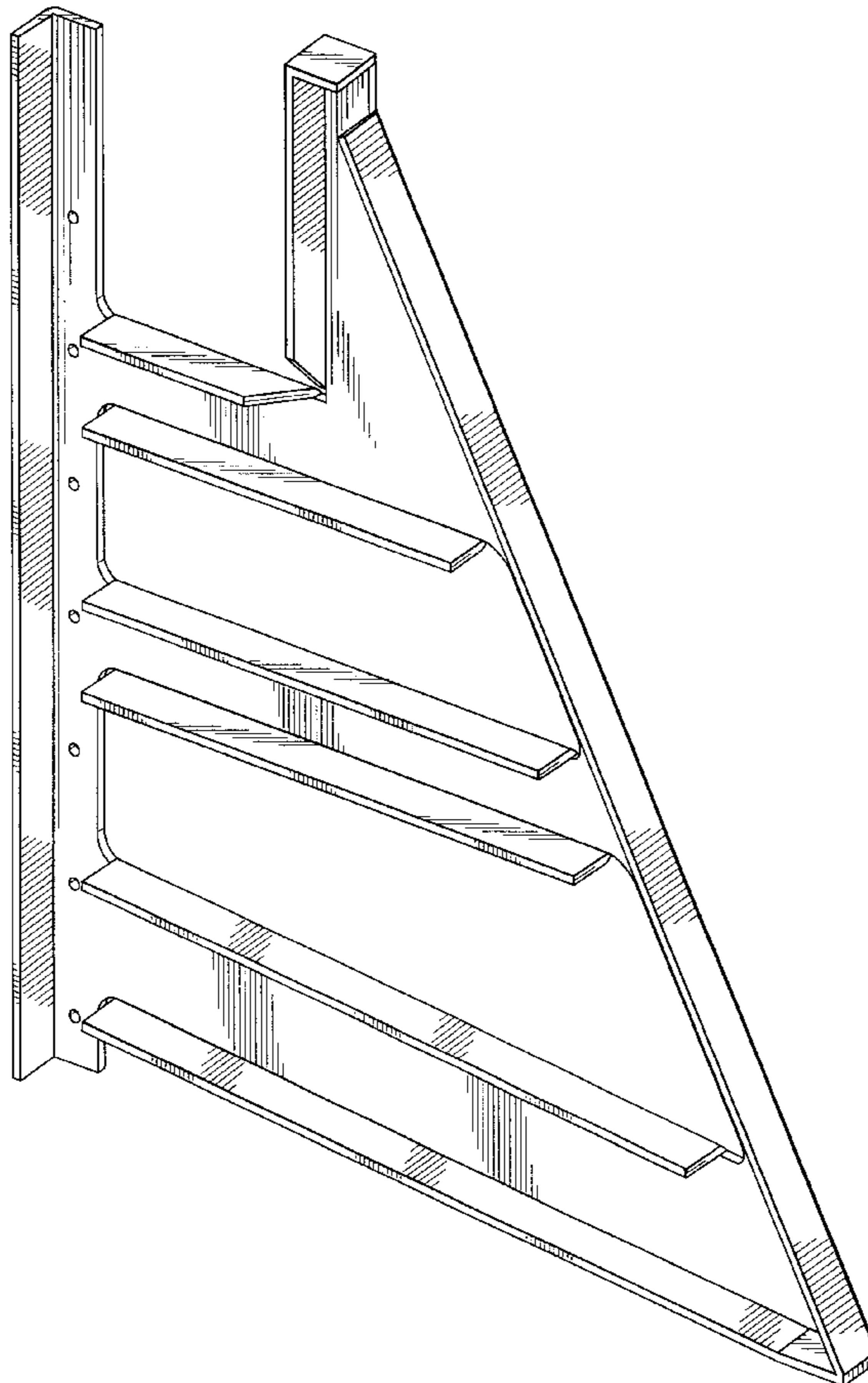
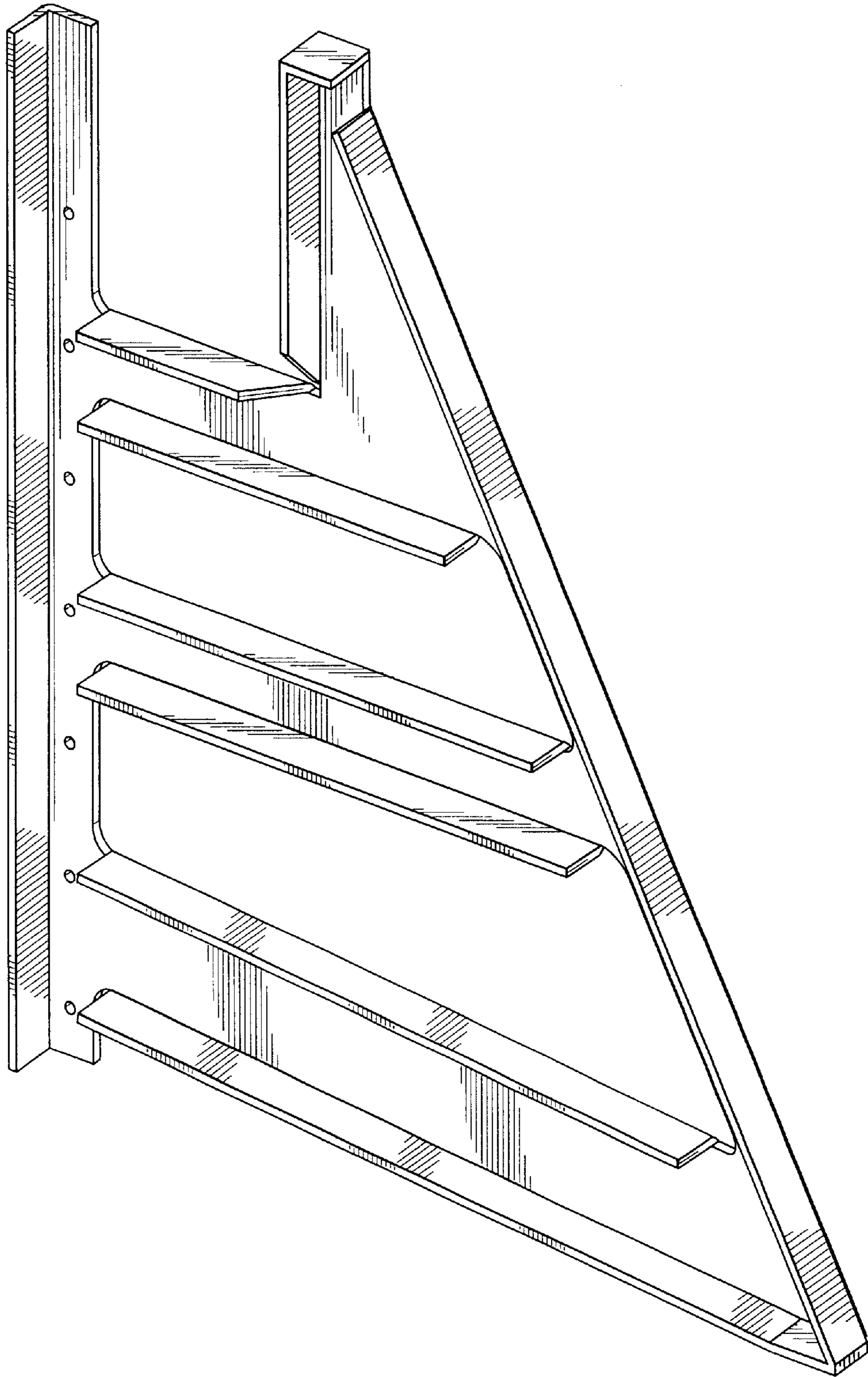


Fig. 1



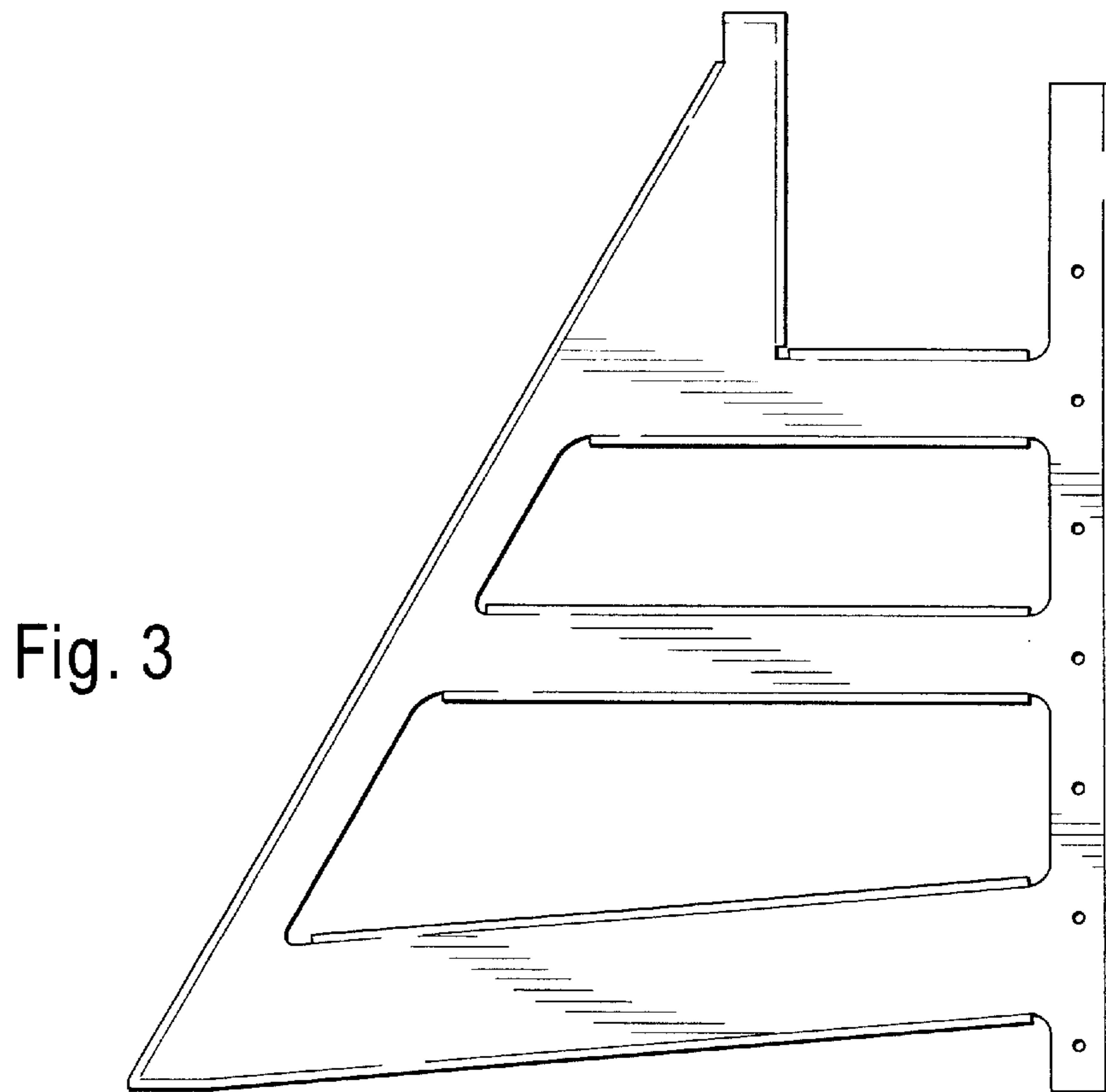
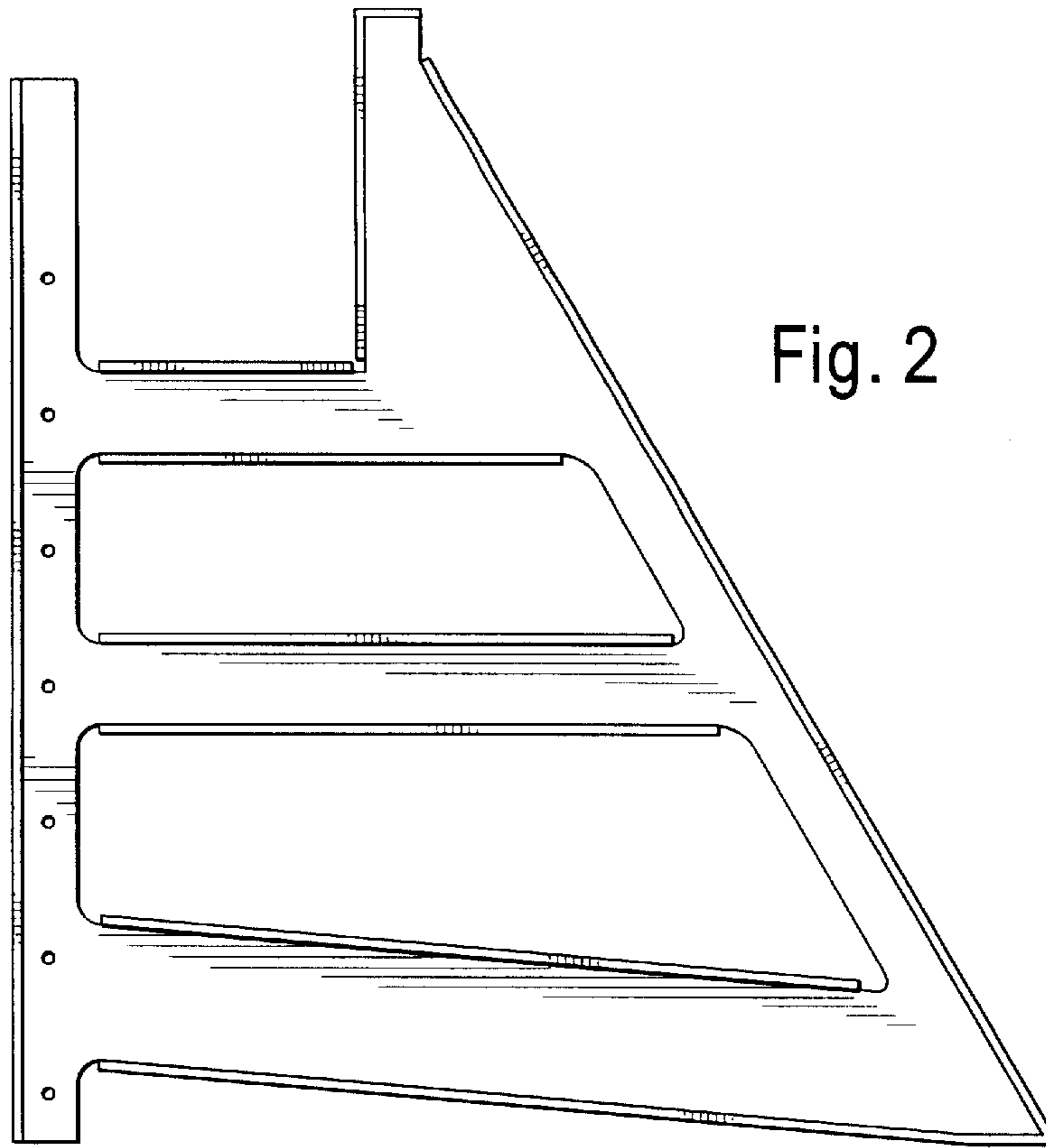


Fig. 4



Fig. 5

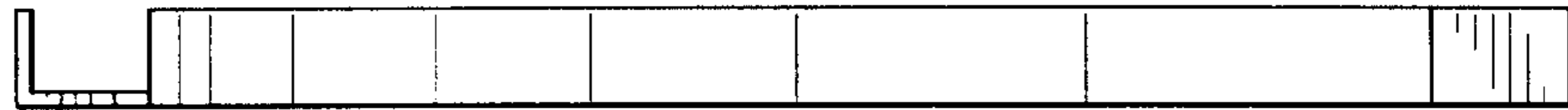


Fig. 6



Fig. 7

