



US00D470946S

(12) **United States Design Patent**
Jacuzzi et al.

(10) **Patent No.:** **US D470,946 S**

(45) **Date of Patent:** **** Feb. 25, 2003**

(54) **WHIRLPOOL BATH**

(75) Inventors: **Roy A. Jacuzzi**, Orinda, CA (US);
Garo J. Paroonagian, Martinez, CA
(US); **James Raeburn Pauls**, Concord,
CA (US)

(73) Assignee: **Jacuzzi, Inc.**, Walnut Creek, CA (US)

(**) Term: **14 Years**

(21) Appl. No.: **29/159,238**

(22) Filed: **Apr. 16, 2002**

(51) **LOC (7) Cl.** **24-04**

(52) **U.S. Cl.** **D24/204**

(58) **Field of Search** D24/204, 205,
D24/201; D23/277; 4/538, 541.1, 541.2,
541.3, 541.4, 541.5, 541.6

(56) **References Cited**

U.S. PATENT DOCUMENTS

D252,042 S * 6/1979 Jacuzzi et al. D24/204

D258,610 S * 3/1981 Tulipani D24/204

D367,708 S * 3/1996 Lawing et al. D24/204

D446,845 S * 8/2001 Jacuzzi et al. D23/277

D453,835 S * 2/2002 Jacuzzi et al. D24/205

* cited by examiner

Primary Examiner—Stella Reid

(74) *Attorney, Agent, or Firm*—Thomas R. Lampe

(57) **CLAIM**

The ornamental design for a whirlpool bath, as shown and described.

DESCRIPTION

FIG. 1 is a perspective view of a whirlpool bath showing our design;

FIG. 2 is a top plan view thereof;

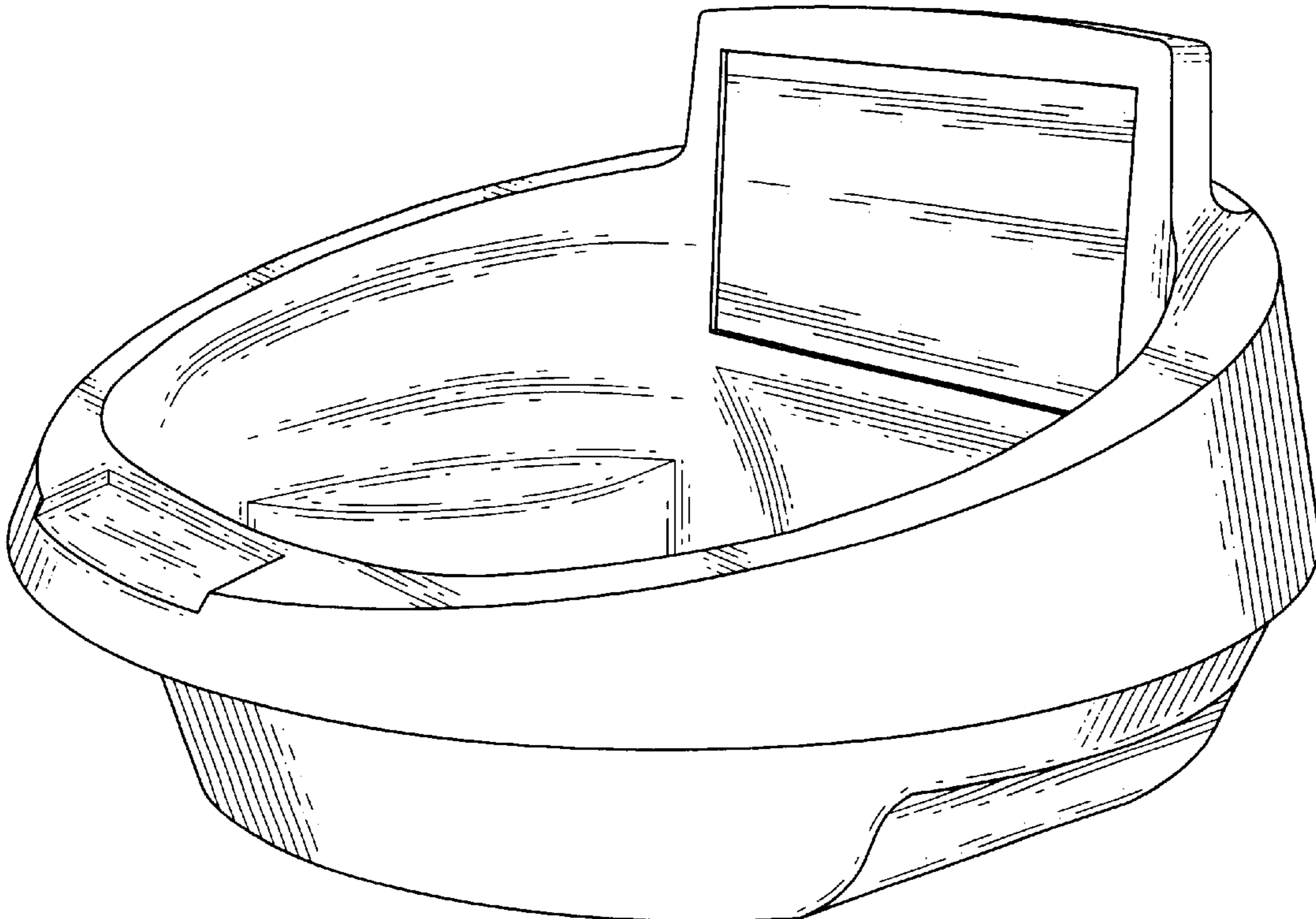
FIG. 3 is a front elevation view thereof;

FIG. 4 is a rear elevation view thereof;

FIG. 5 is a right side elevation view thereof, the left side elevation view thereof being a mirror image; and,

FIG. 6 is a bottom plan view thereof.

1 Claim, 3 Drawing Sheets



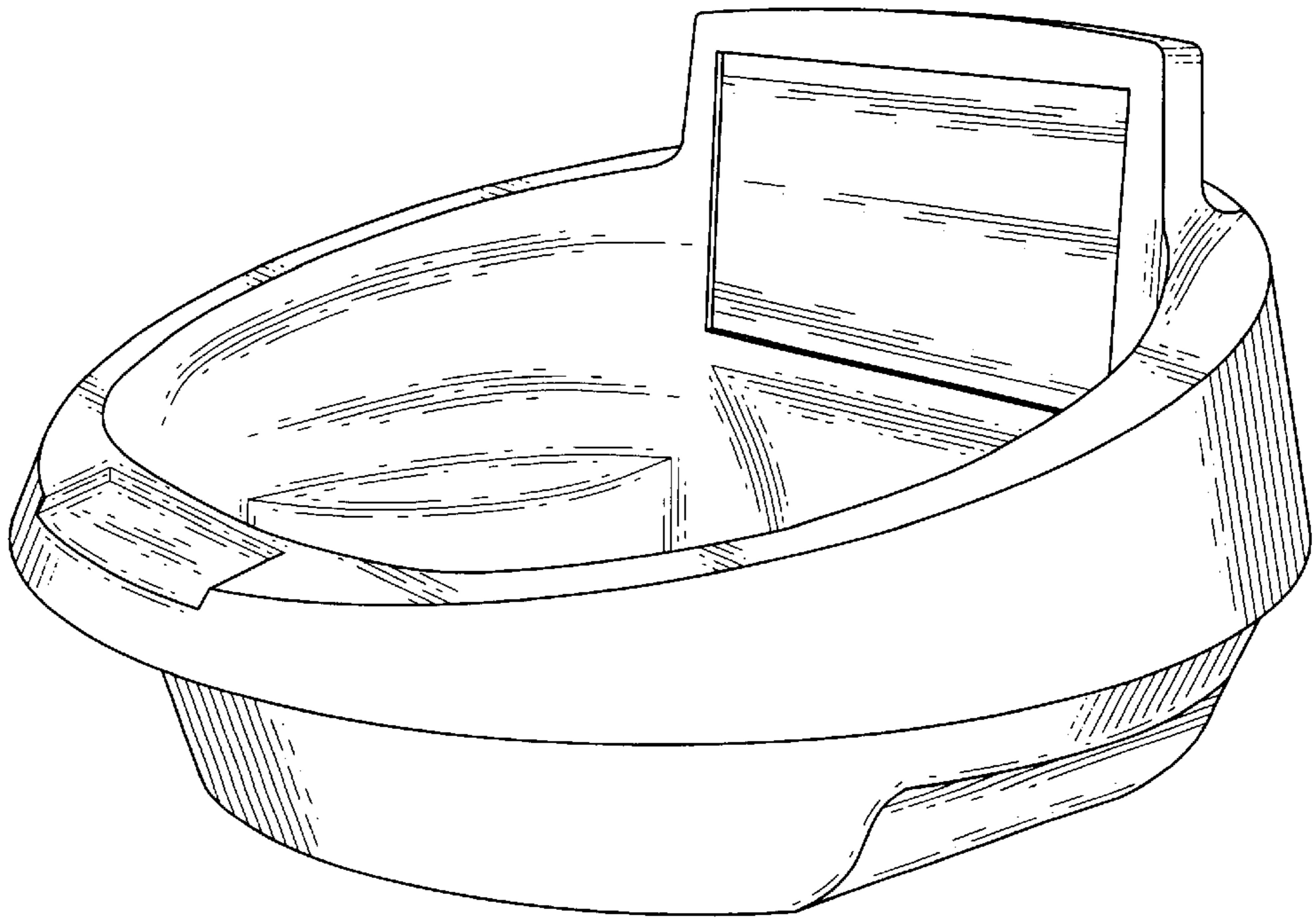


Fig. 1

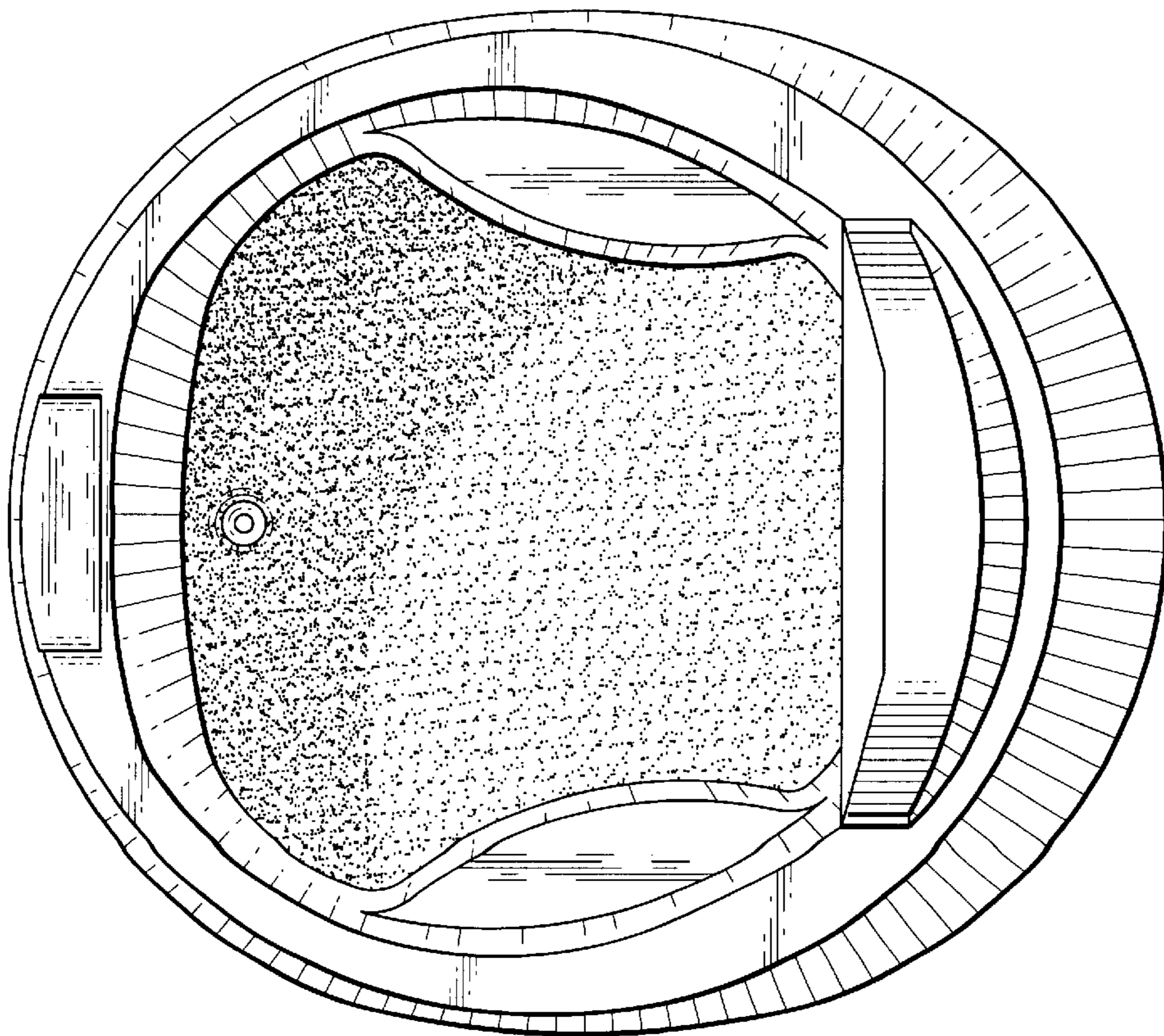


Fig. 2

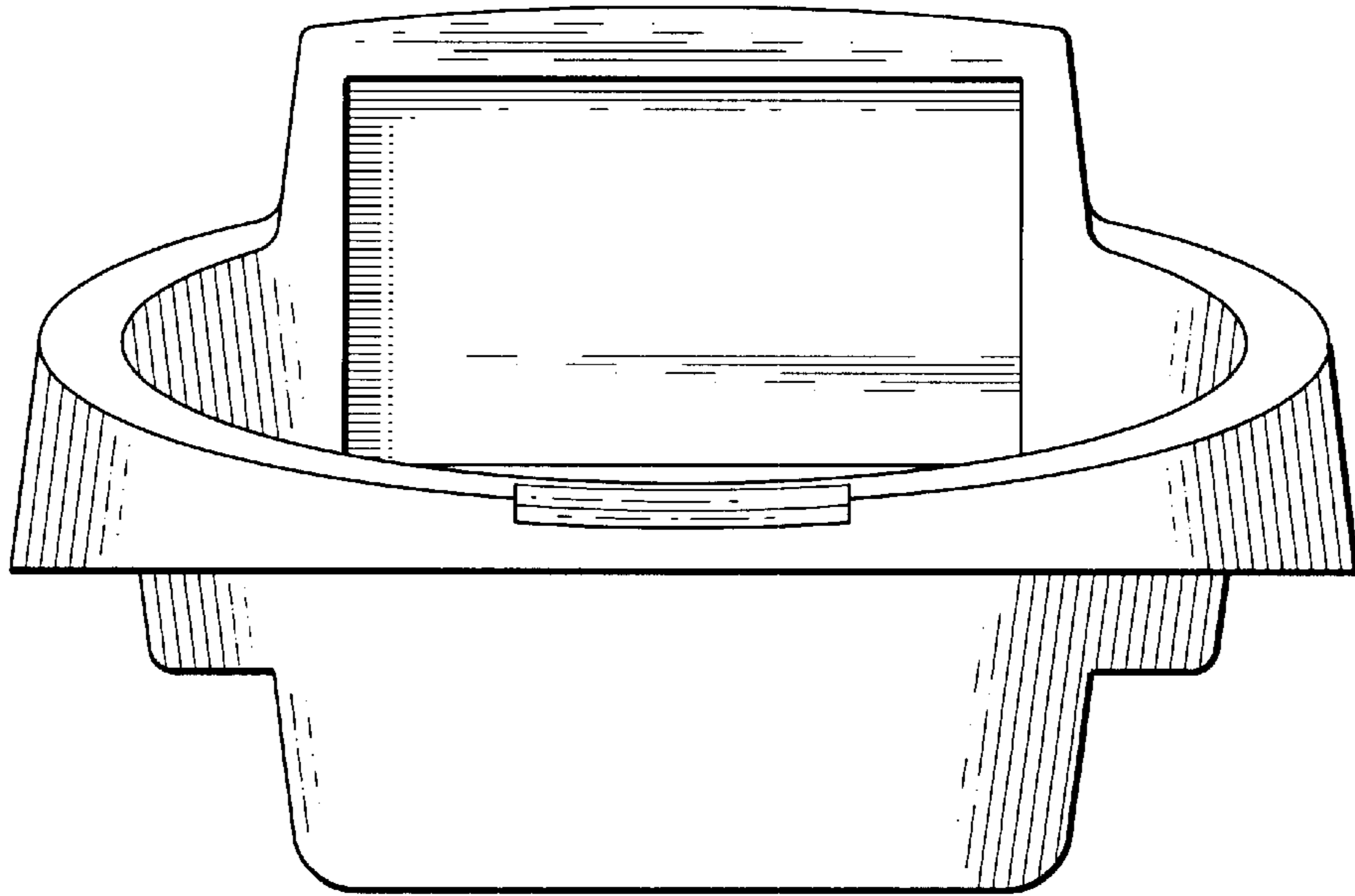


Fig. 3

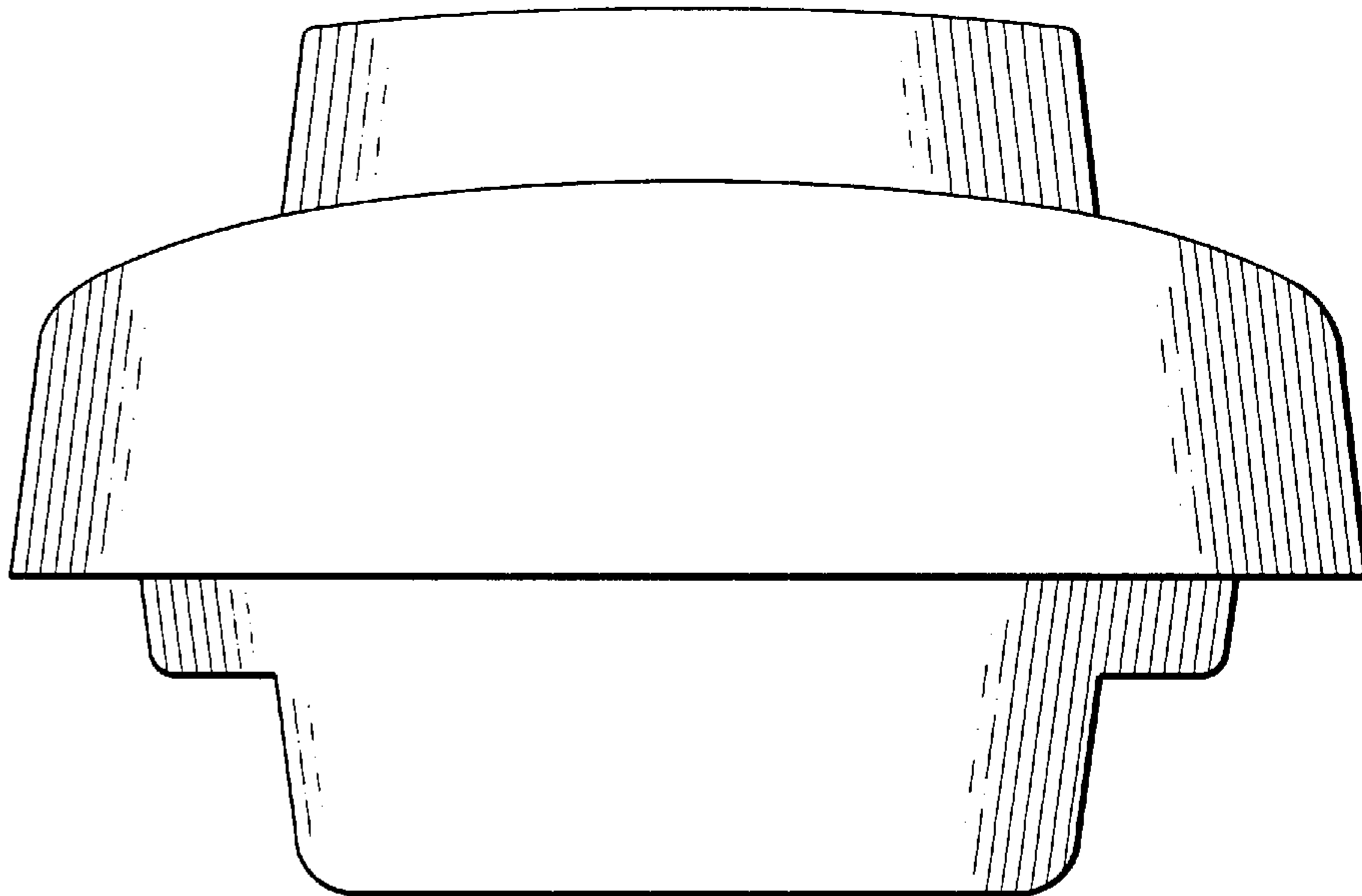


Fig. 4

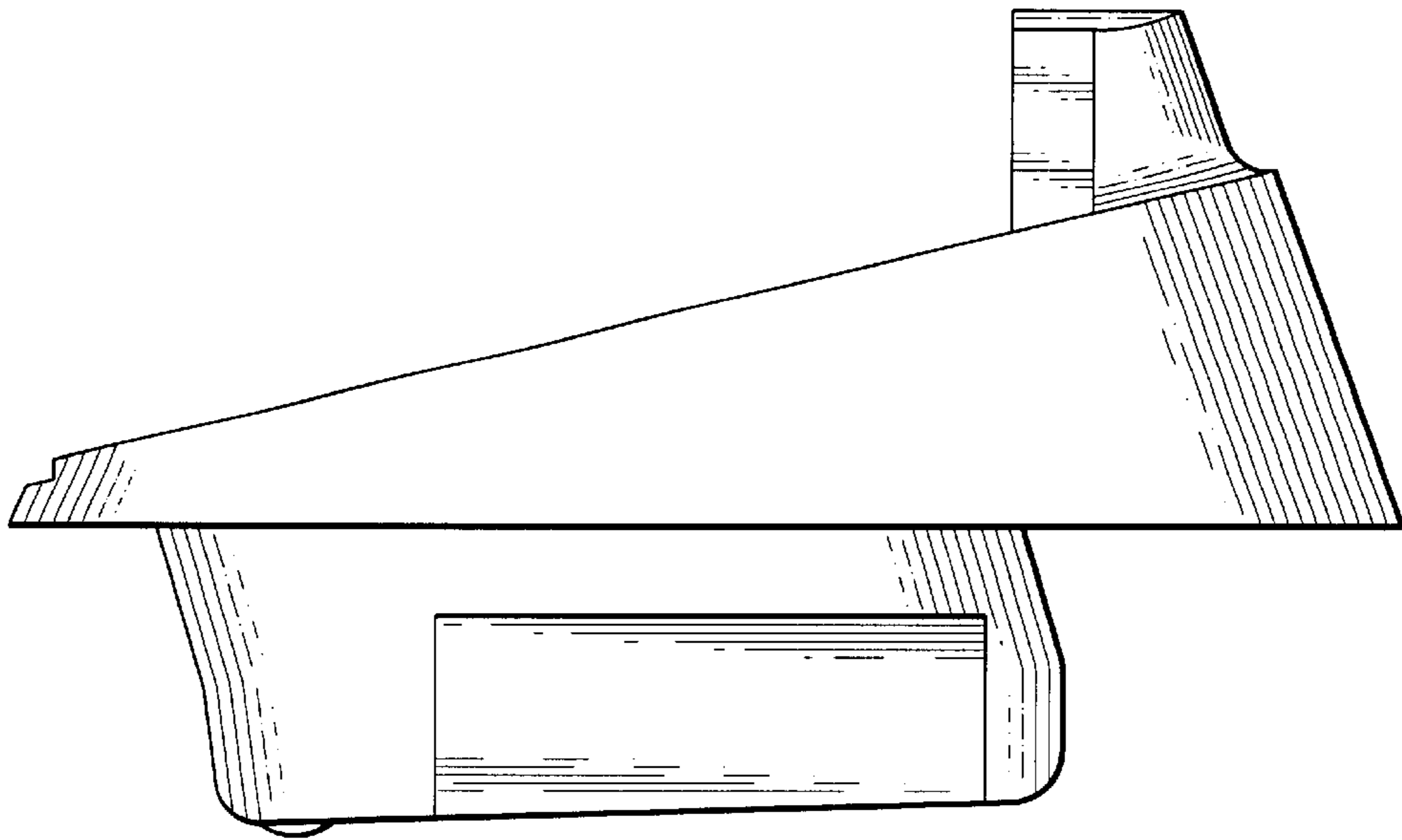


Fig. 5

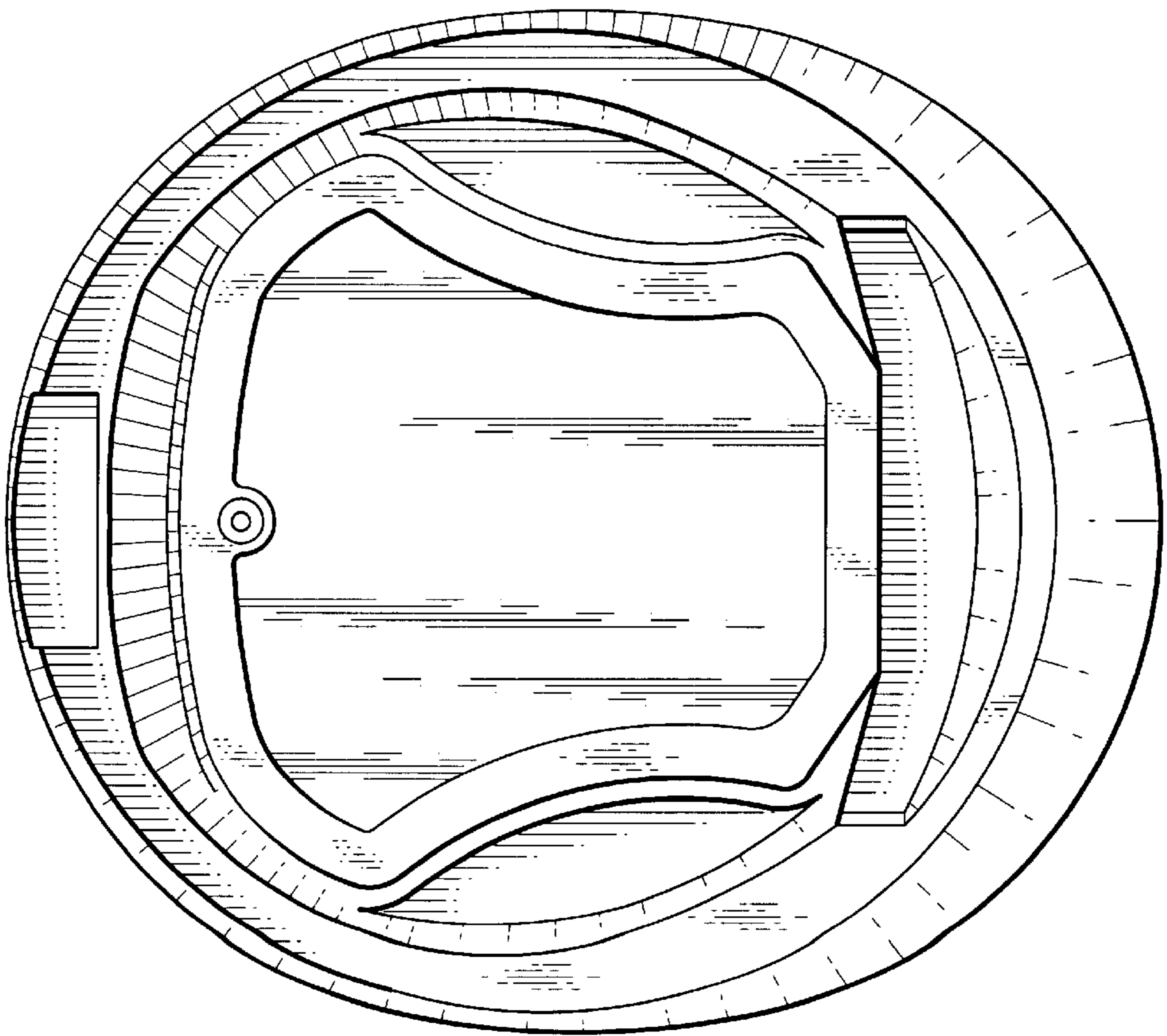


Fig. 6