



US00D470944S

(12) **United States Design Patent**
Daffer et al.

(10) **Patent No.:** **US D470,944 S**

(45) **Date of Patent:** **** Feb. 25, 2003**

(54) **BASE FOR A PERSONAL FULL BODY THERAPY COMPARTMENT**

(75) Inventors: **Steven J. Daffer**, Edina, MN (US);
Richard W. Jostrom, Mound, MN (US)

(73) Assignee: **Visibelle Derma Institute, Inc.**,
Bloomington, MN (US)

(**) Term: **14 Years**

(21) Appl. No.: **29/132,246**

(22) Filed: **Nov. 6, 2000**

(51) **LOC (7) Cl.** **24-01**

(52) **U.S. Cl.** **D24/202**

(58) **Field of Search** D24/202, 203,
D24/201; 607/80, 81, 83, 84; 4/524, 528,
529, 530, 532, 536

(56) **References Cited**

U.S. PATENT DOCUMENTS

4,277,855 A	7/1981	Foss	4/524
4,565,188 A	1/1986	Hardie	128/24.2
4,671,284 A	6/1987	Wilson et al.	128/373
4,712,538 A	12/1987	Hardie et al.	128/24.1
D297,863 S	9/1988	Hardie et al.	D24/37
4,884,574 A	12/1989	Hardie et al.	128/373
D317,650 S	6/1991	Soder	D24/202
5,101,809 A	4/1992	Daffer et al.	128/33

D326,720 S	6/1992	Garrison et al.	D24/202
D340,992 S	11/1993	Garrison	D24/202
5,266,070 A	11/1993	Hagiwara et al.	600/27
D360,469 S	7/1995	Panelli et al.	D24/202
D377,530 S	1/1997	Daffer et al.	D24/202
D384,416 S	9/1997	Daffer et al.	D24/203
D413,388 S	8/1999	Daffer et al.	D24/202
D453,834 S	* 2/2002	Daffer et al.	D24/202

* cited by examiner

Primary Examiner—Stella Reid

(74) *Attorney, Agent, or Firm*—Westman, Champlin & Kelly, P.A.

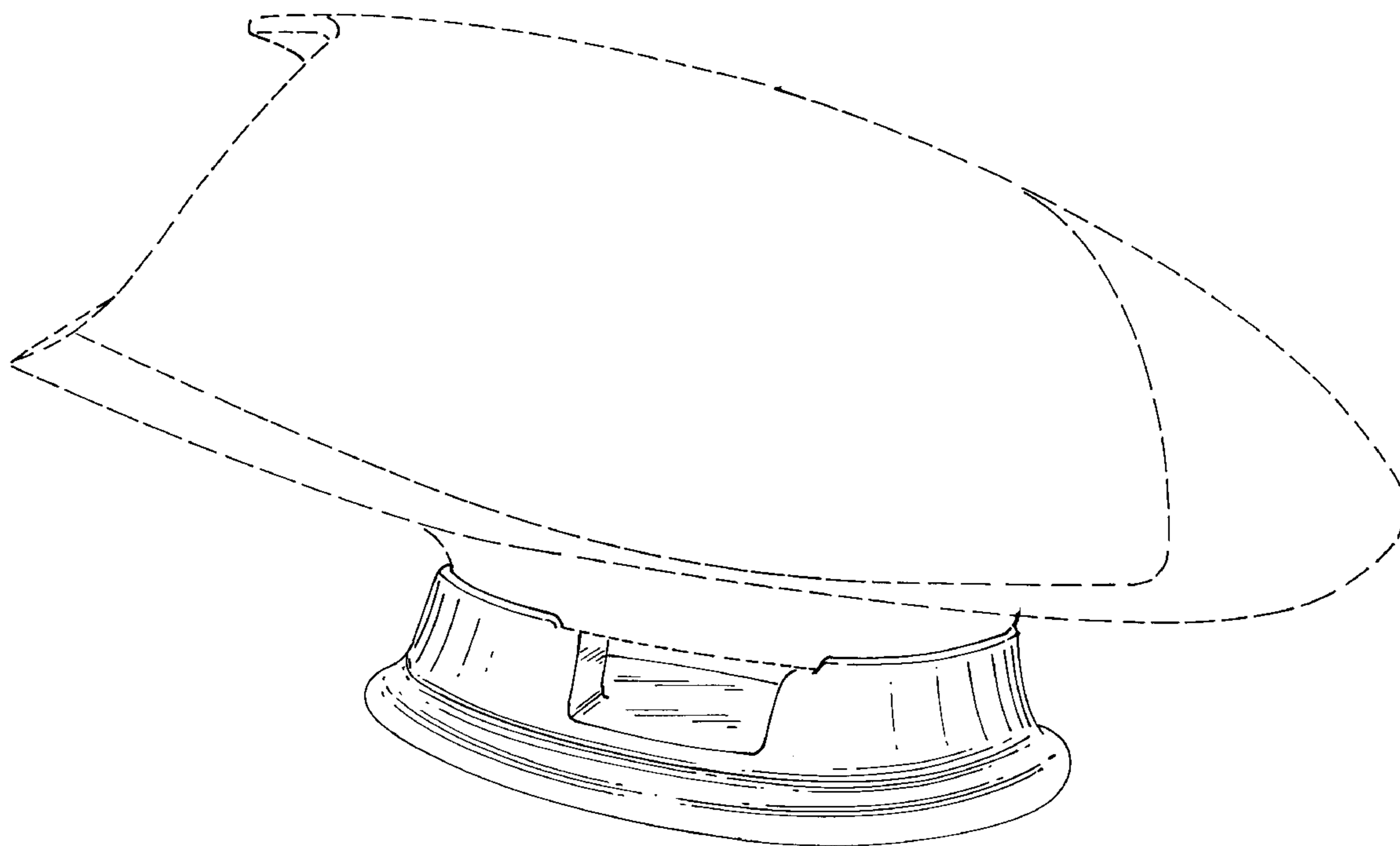
(57) **CLAIM**

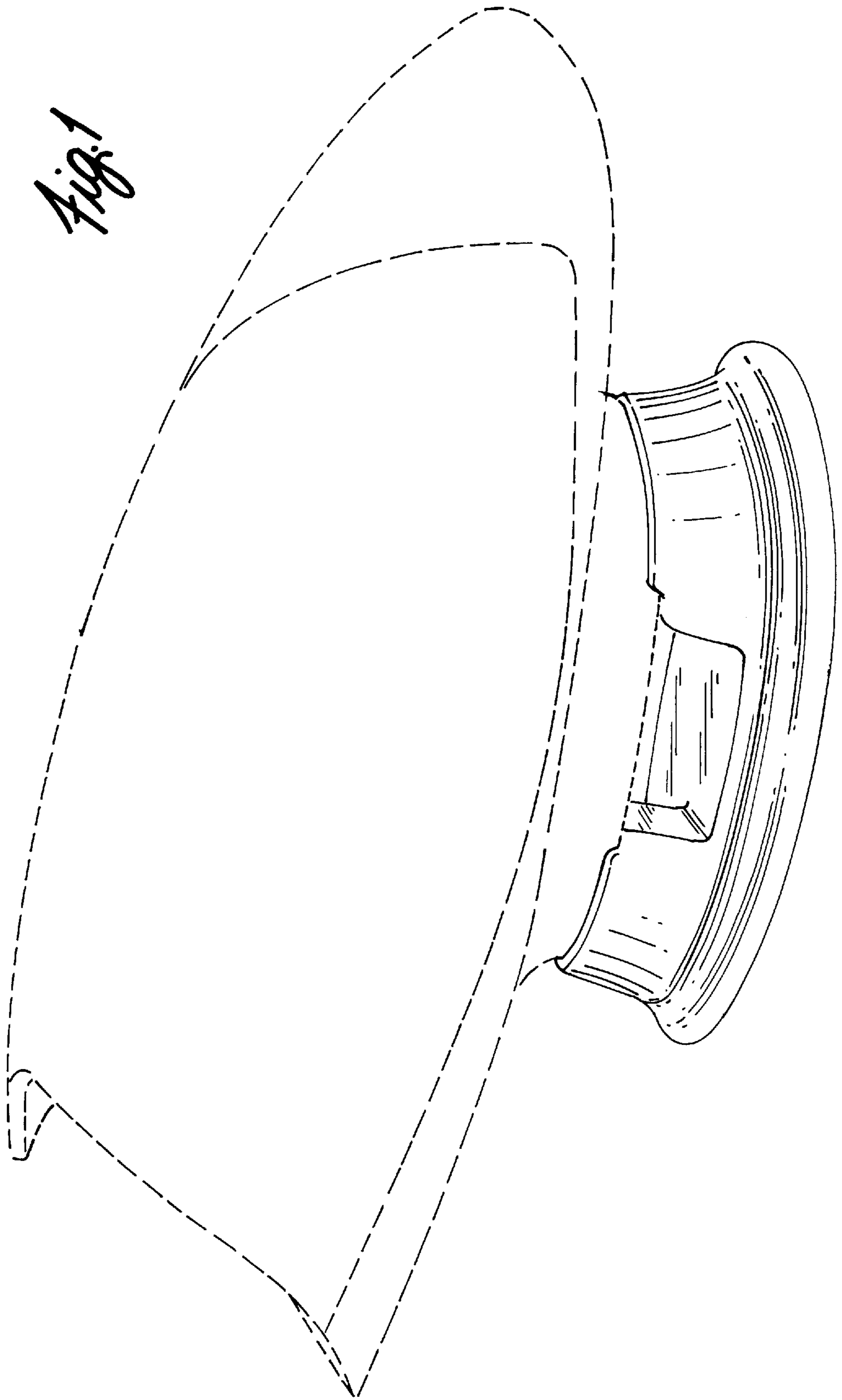
The ornamental design for a base for a personal full body therapy compartment, as shown and described.

DESCRIPTION

FIG. 1 is a front perspective view of a base for a full body therapy compartment, embodying our new design, the broken line showing is for illustrative purposes only and forms no part of the claimed design;
FIG. 2 is a top plan view thereof;
FIG. 3 is a right side view thereof;
FIG. 4 is a left side view thereof;
FIG. 5 is a bottom plan view thereof;
FIG. 6 is a front view thereof; and,
FIG. 7 is a rear view thereof.

1 Claim, 3 Drawing Sheets





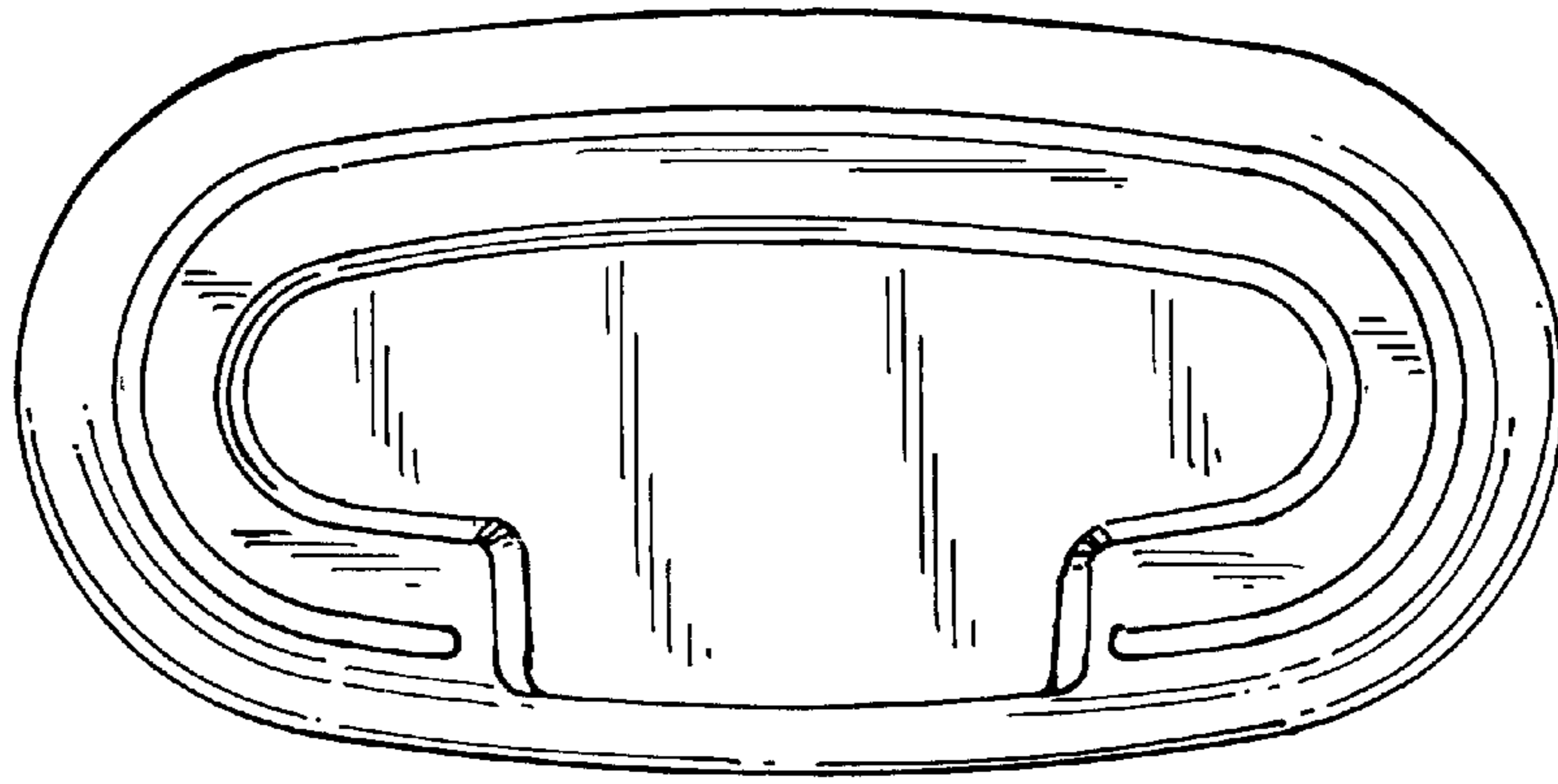


Fig. 2

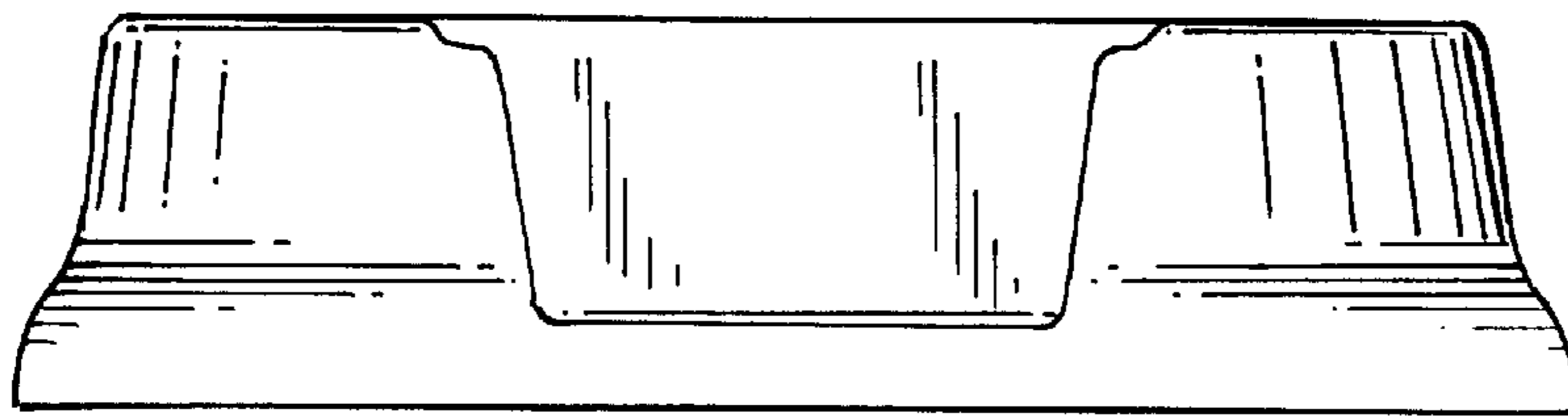


Fig. 3

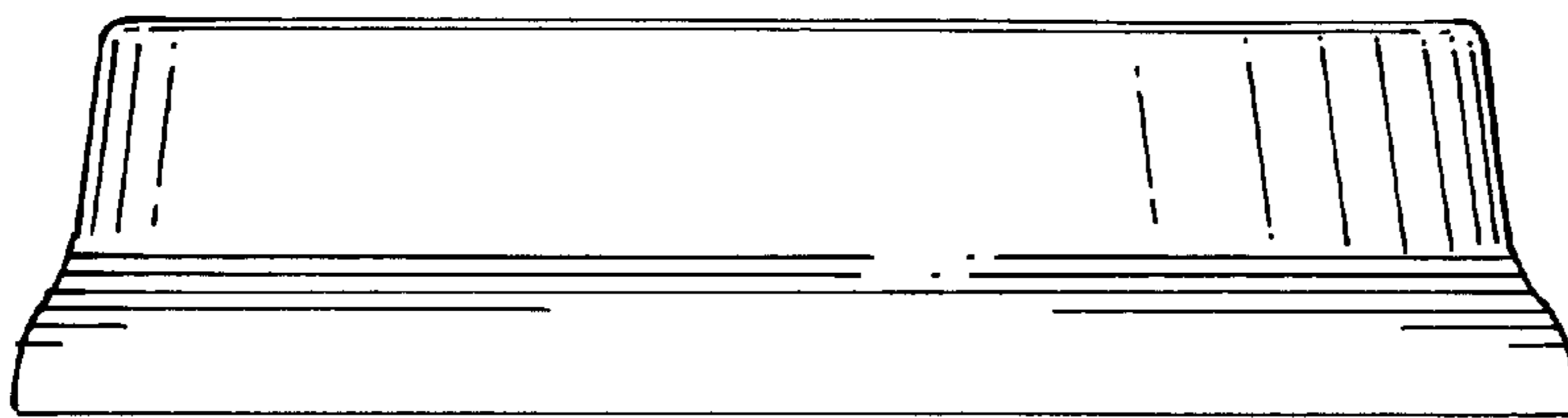


Fig. 4

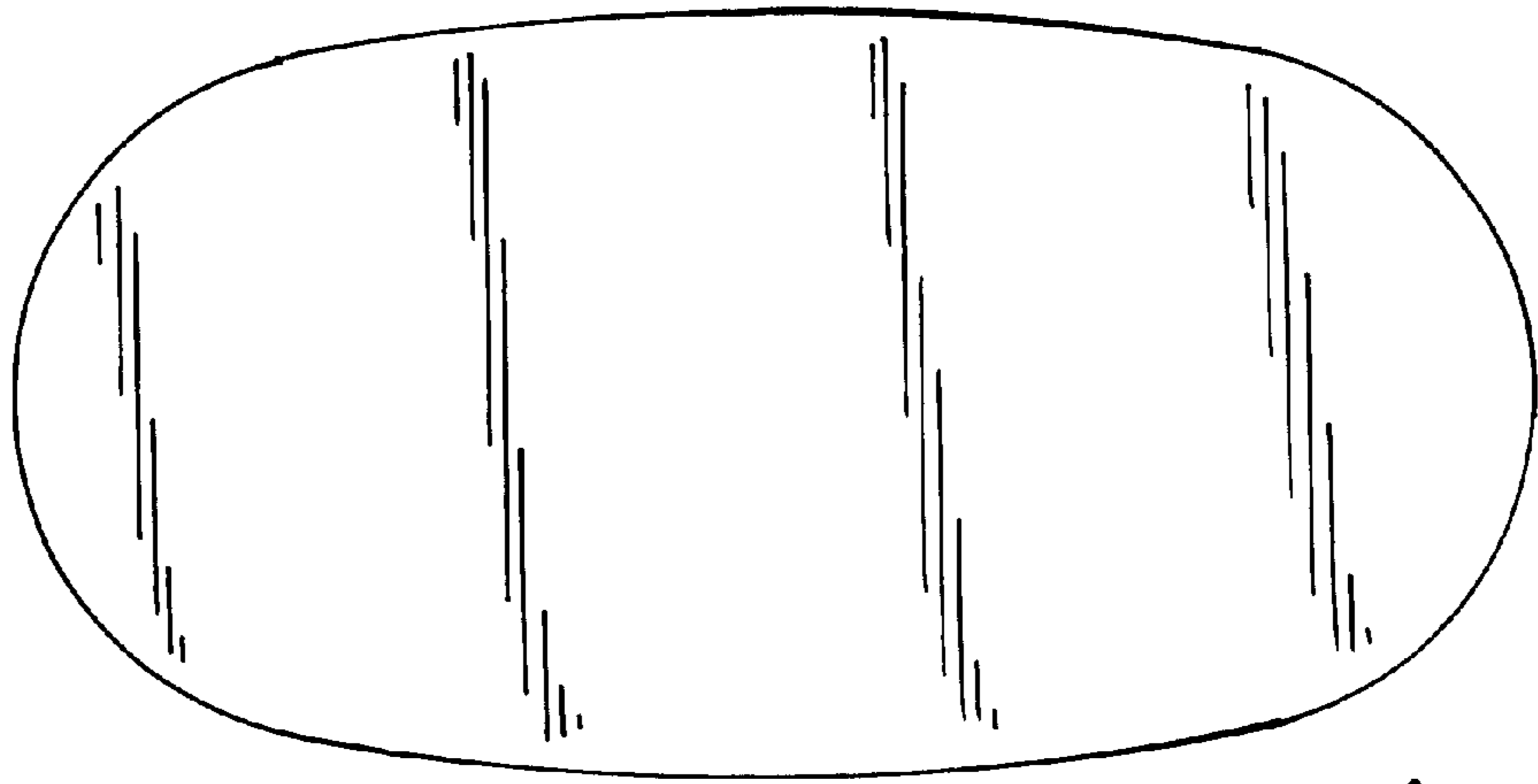


Fig. 5

Fig. 6

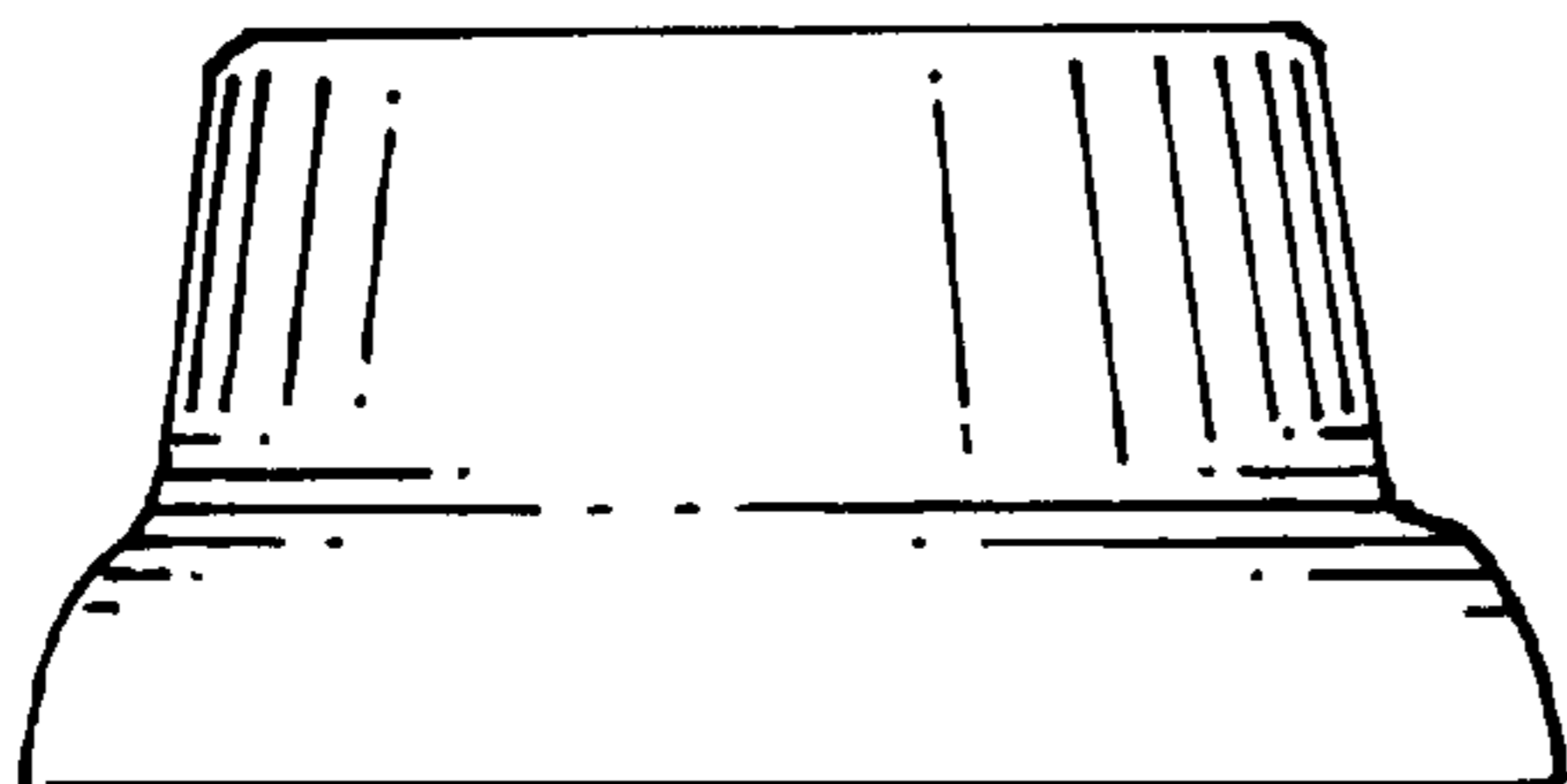
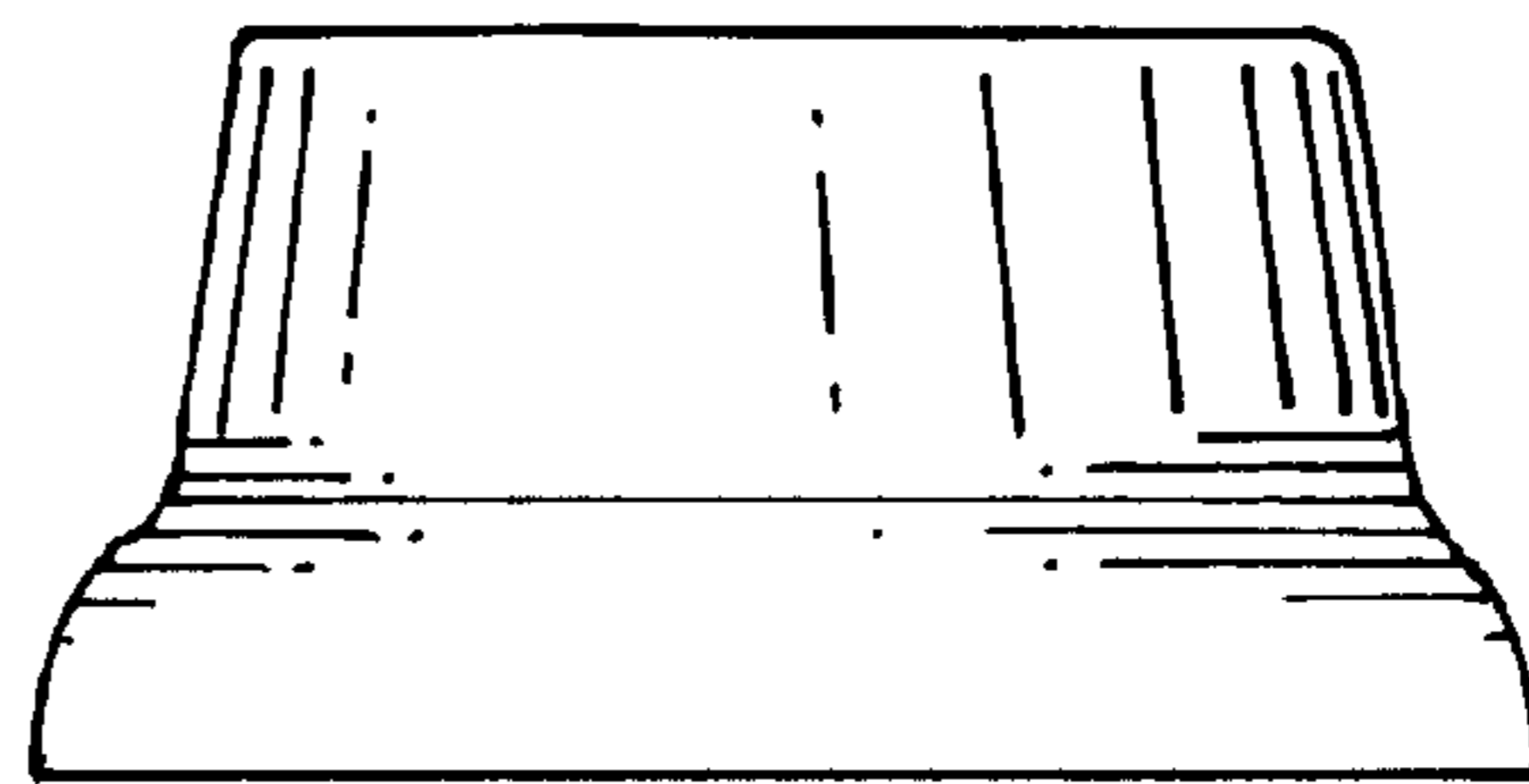


Fig. 7