



US00D470942S

(12) **United States Design Patent**  
**Pecora et al.**

(10) **Patent No.:** **US D470,942 S**

(45) **Date of Patent:** **\*\* Feb. 25, 2003**

(54) **PACIFIER WITH REMOTE LOCATOR**

(76) Inventors: **Eric Pecora**, 46 Church St., Inwood, NY (US) 11096; **Toni Ann Pecora**, 46 Church St., Inwood, NY (US) 11096

(\*\*) Term: **14 Years**

(21) Appl. No.: **29/161,330**

(22) Filed: **May 28, 2002**

(51) **LOC (7) Cl.** ..... **24-04**

(52) **U.S. Cl.** ..... **D24/194**

(58) **Field of Search** ..... D24/194, 193; 606/234, 235, 236; 600/549; 446/81, 175

(56) **References Cited**

**U.S. PATENT DOCUMENTS**

4,554,919 A	*	11/1985	Hubert	.....	606/234
4,856,519 A	*	8/1989	Teves	.....	606/234
D380,269 S	*	6/1997	Mendes	.....	D24/194
5,662,685 A	*	9/1997	Uhler	.....	606/234

5,859,585 A	*	1/1999	Fleming	.....	340/539
D419,240 S	*	1/2000	Leick	.....	D24/194
6,066,161 A	*	5/2000	Parella	.....	606/234
6,102,935 A	*	8/2000	Harlan et al.	.....	606/234

\* cited by examiner

*Primary Examiner*—Stella Reid

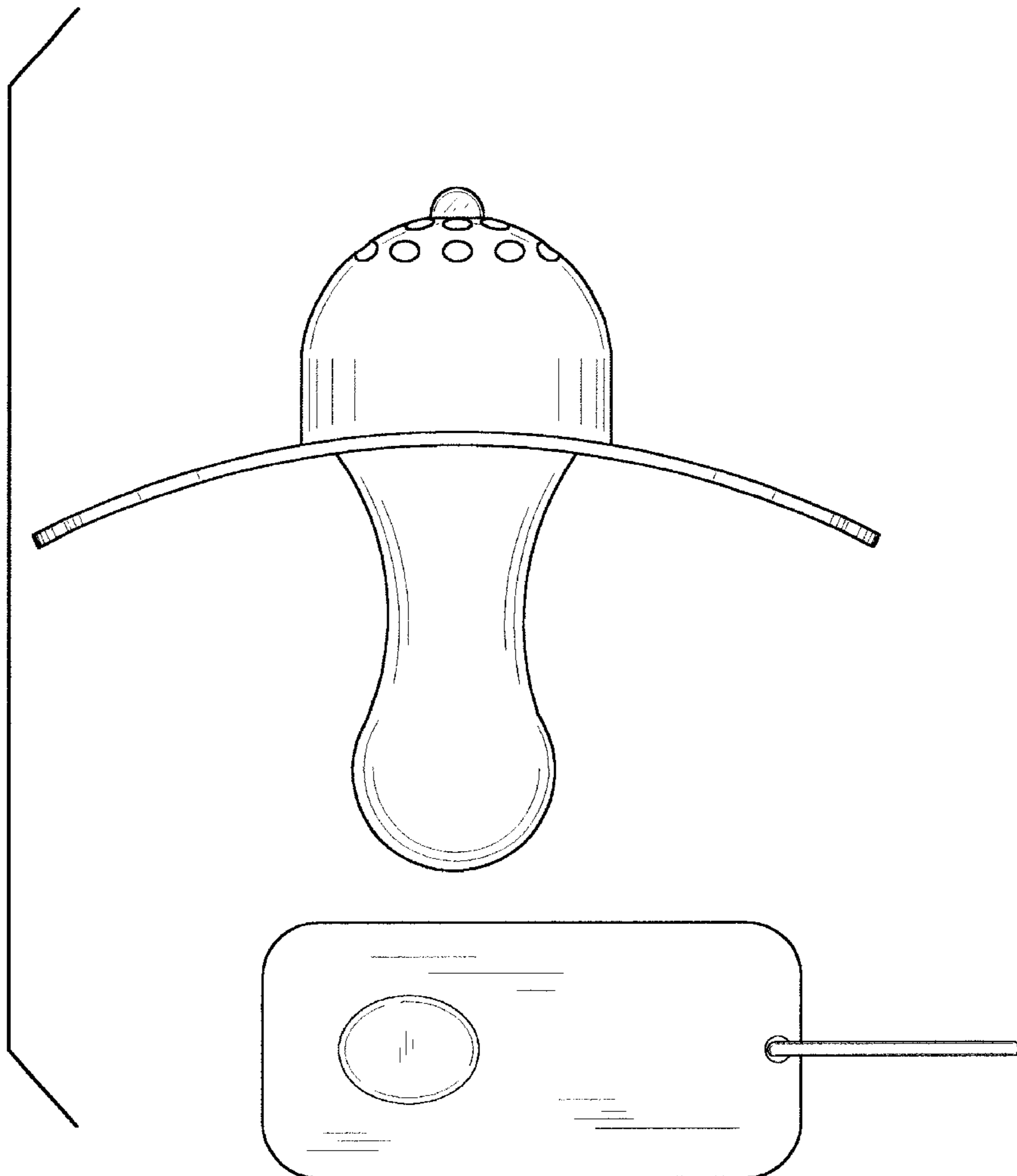
(57) **CLAIM**

The ornamental design for a pacifier with remote locator, as shown and described.

**DESCRIPTION**

FIG. 1 is a front elevational view of a pacifier with remote locator showing our new design; FIG. 2 is a rear elevational view thereof; FIG. 3 is a side view, taken from the left side of FIG. 1; FIG. 4 is a side view, taken from the right side of FIG. 1; FIG. 5 is a top plan view thereof; and, FIG. 6 is a bottom plan view thereof.

**1 Claim, 6 Drawing Sheets**



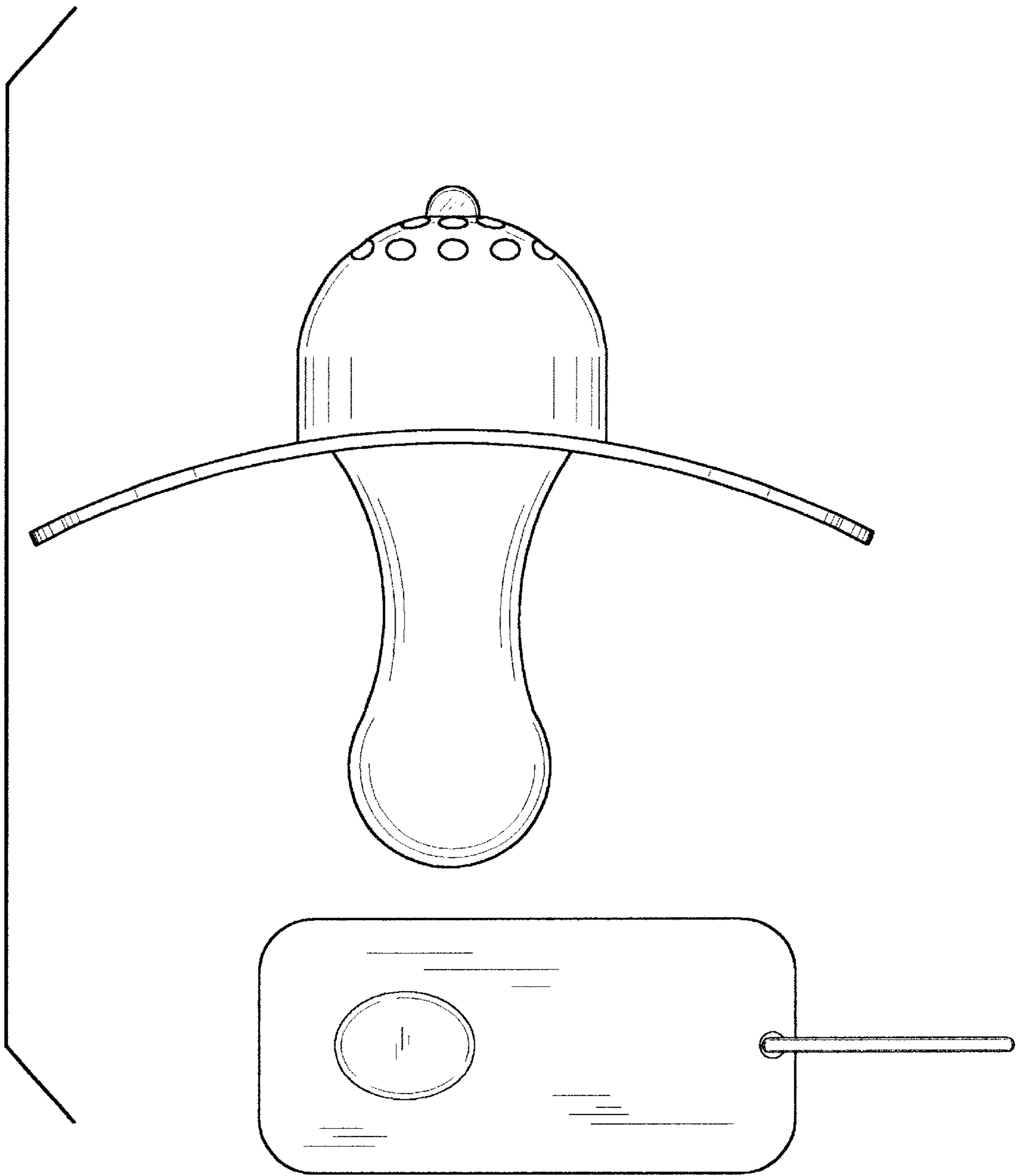


FIG. 1

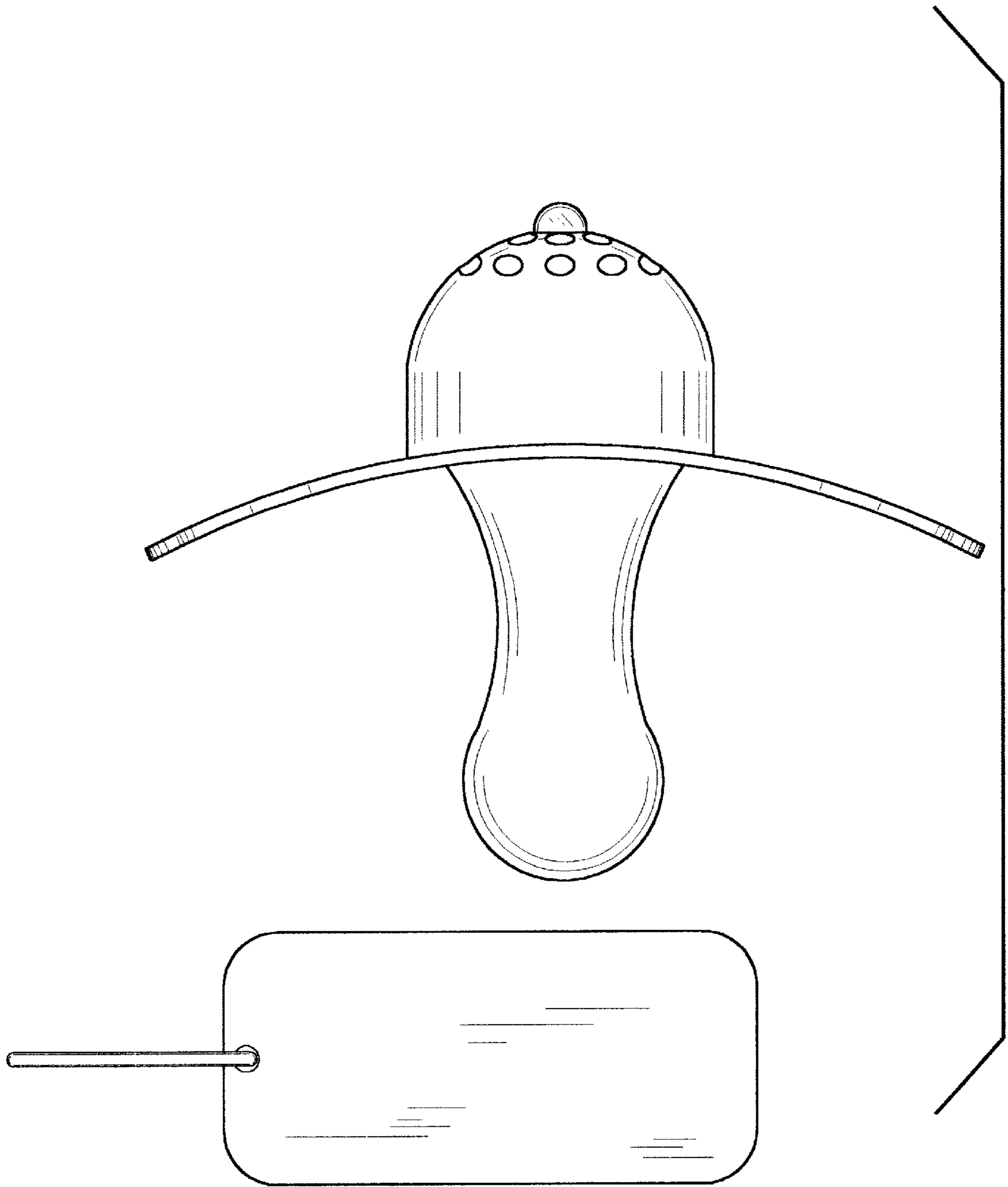


FIG. 2

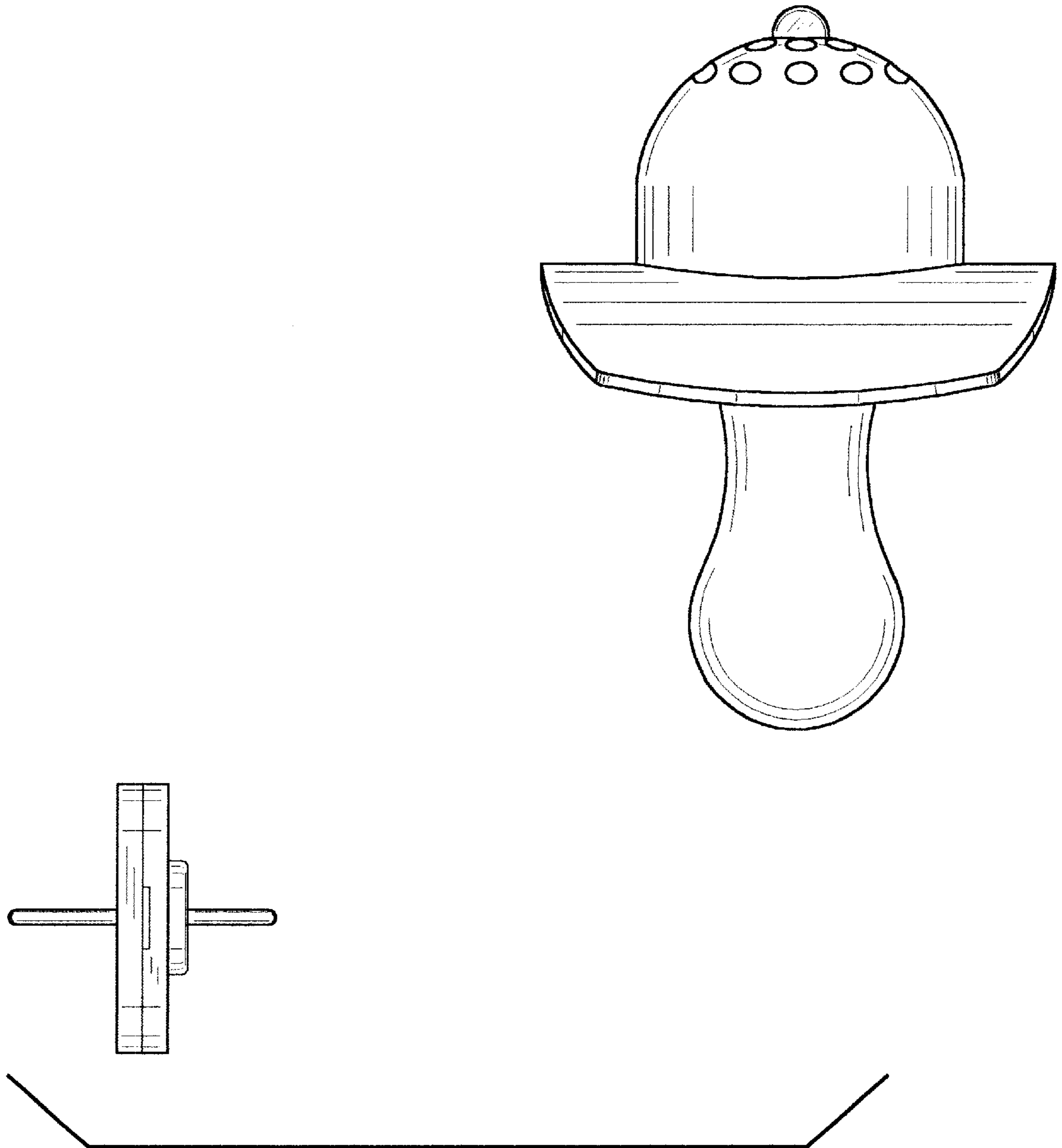


FIG. 3

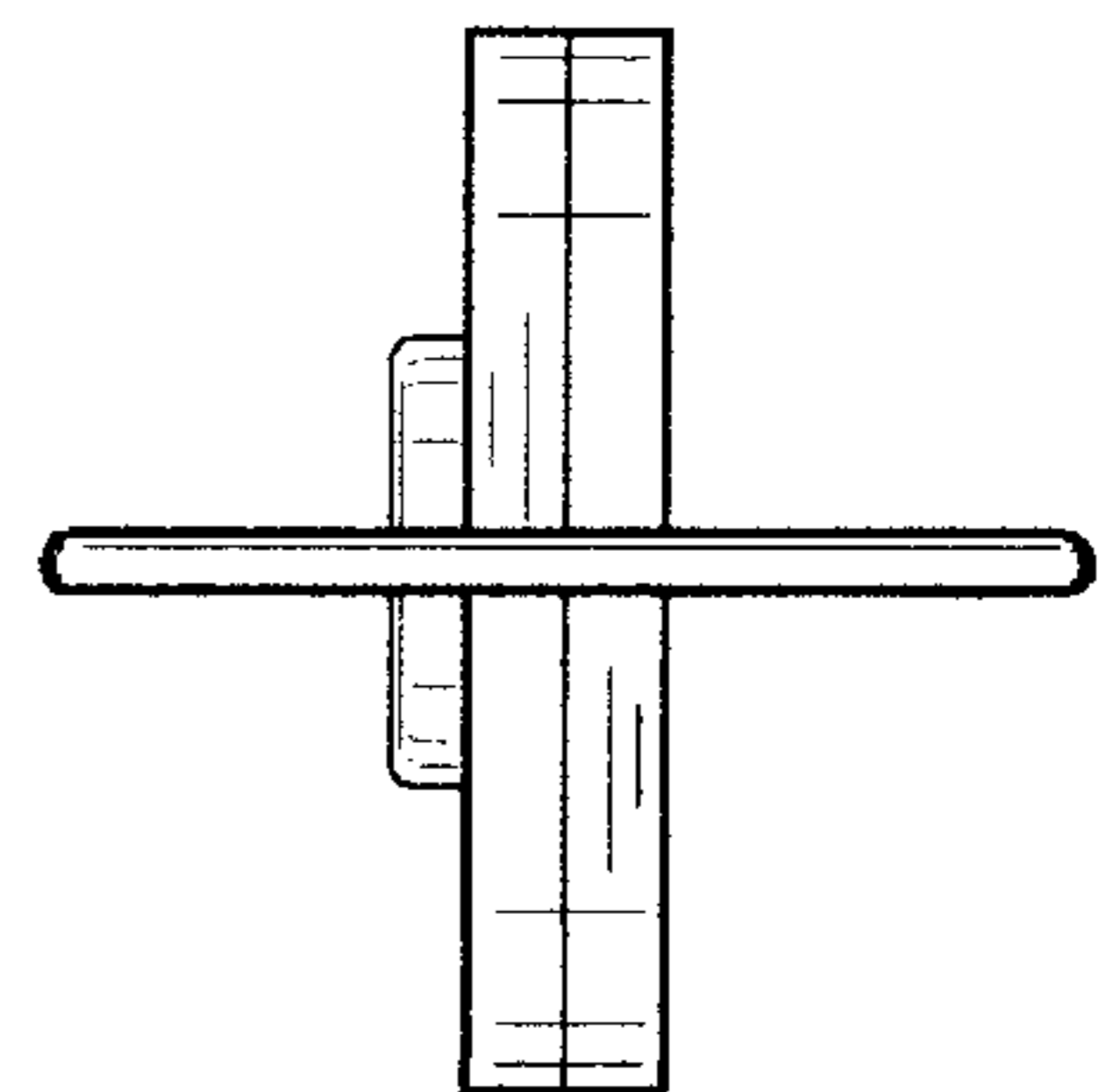
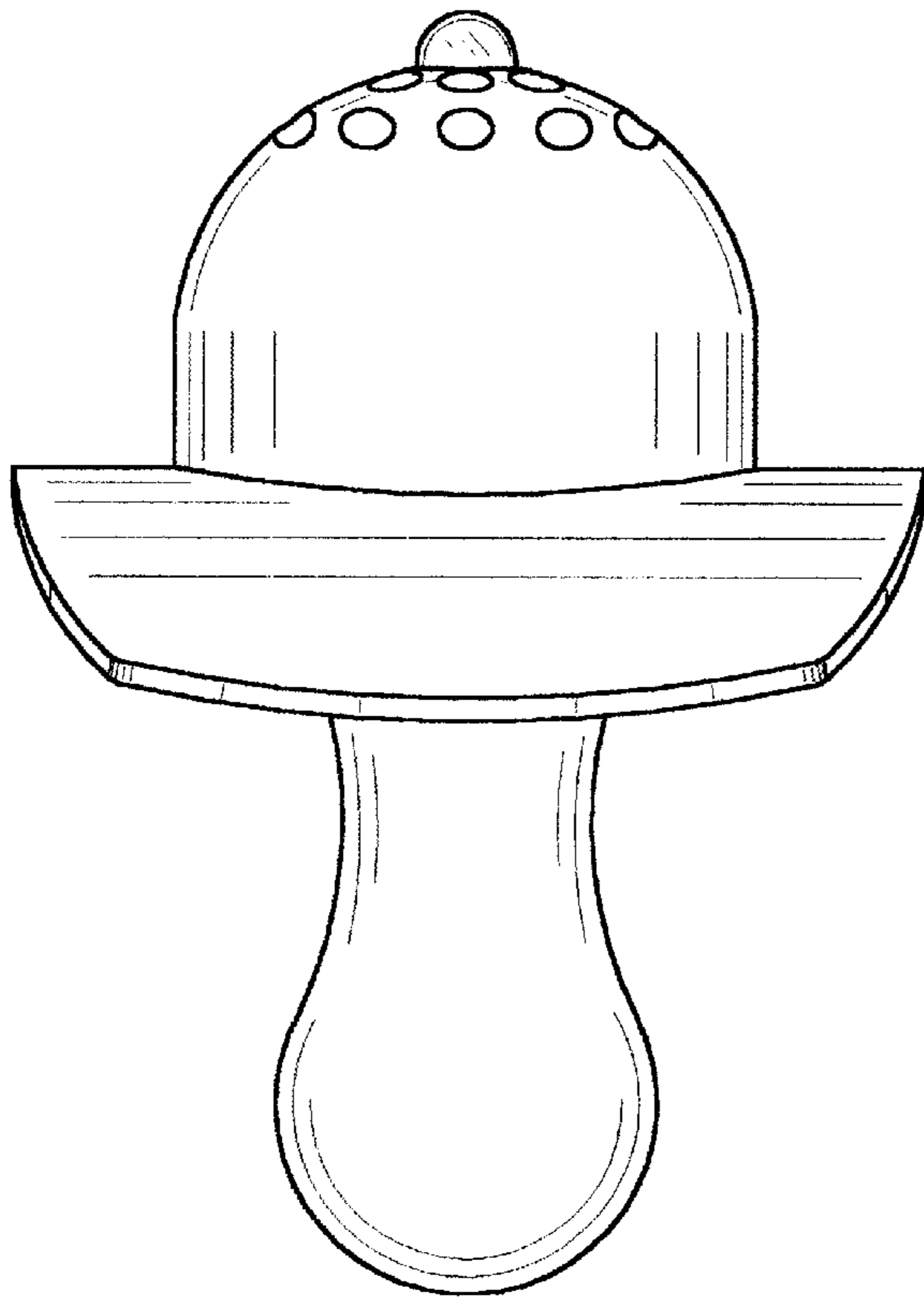


FIG. 4

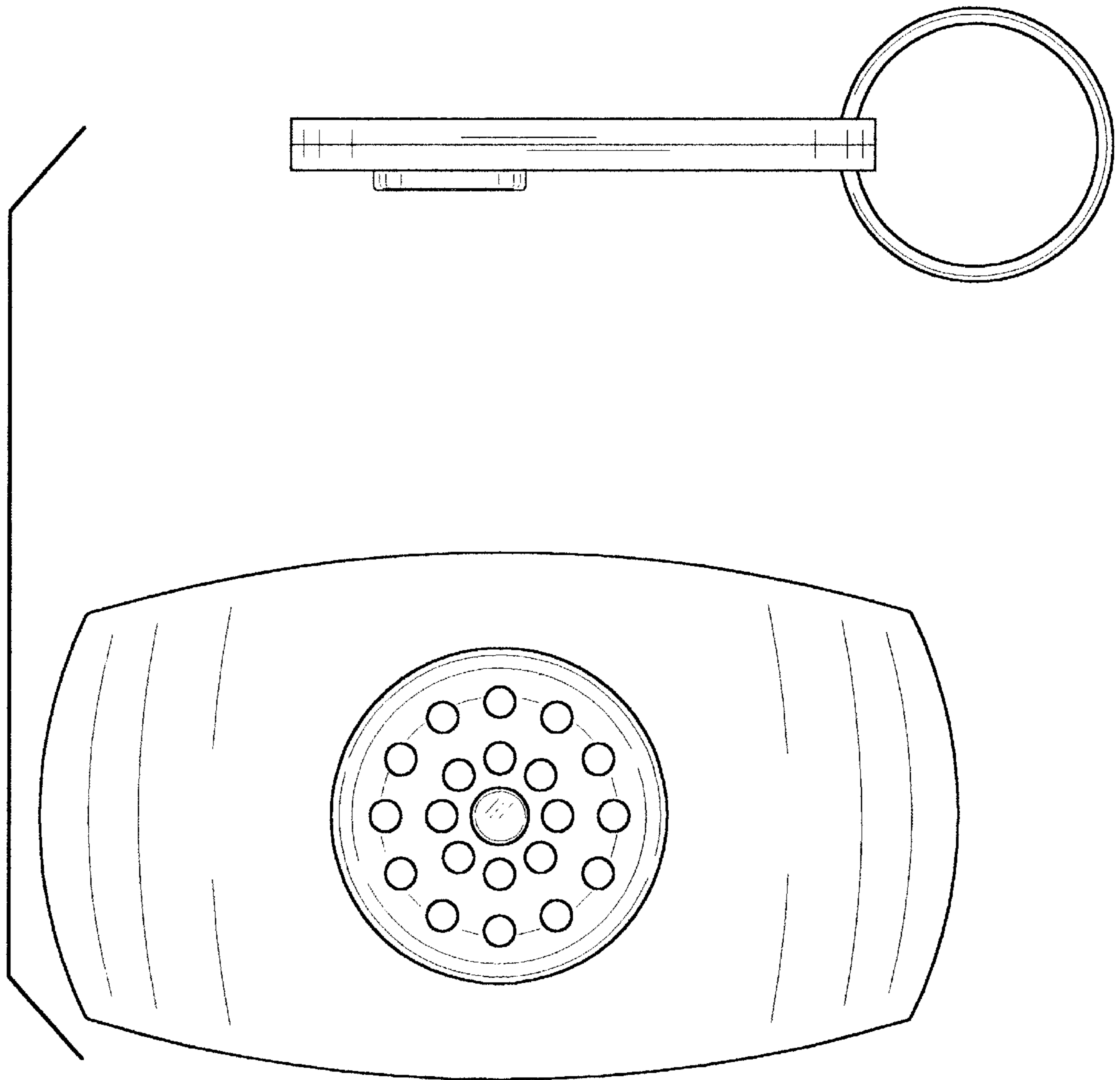


FIG. 5

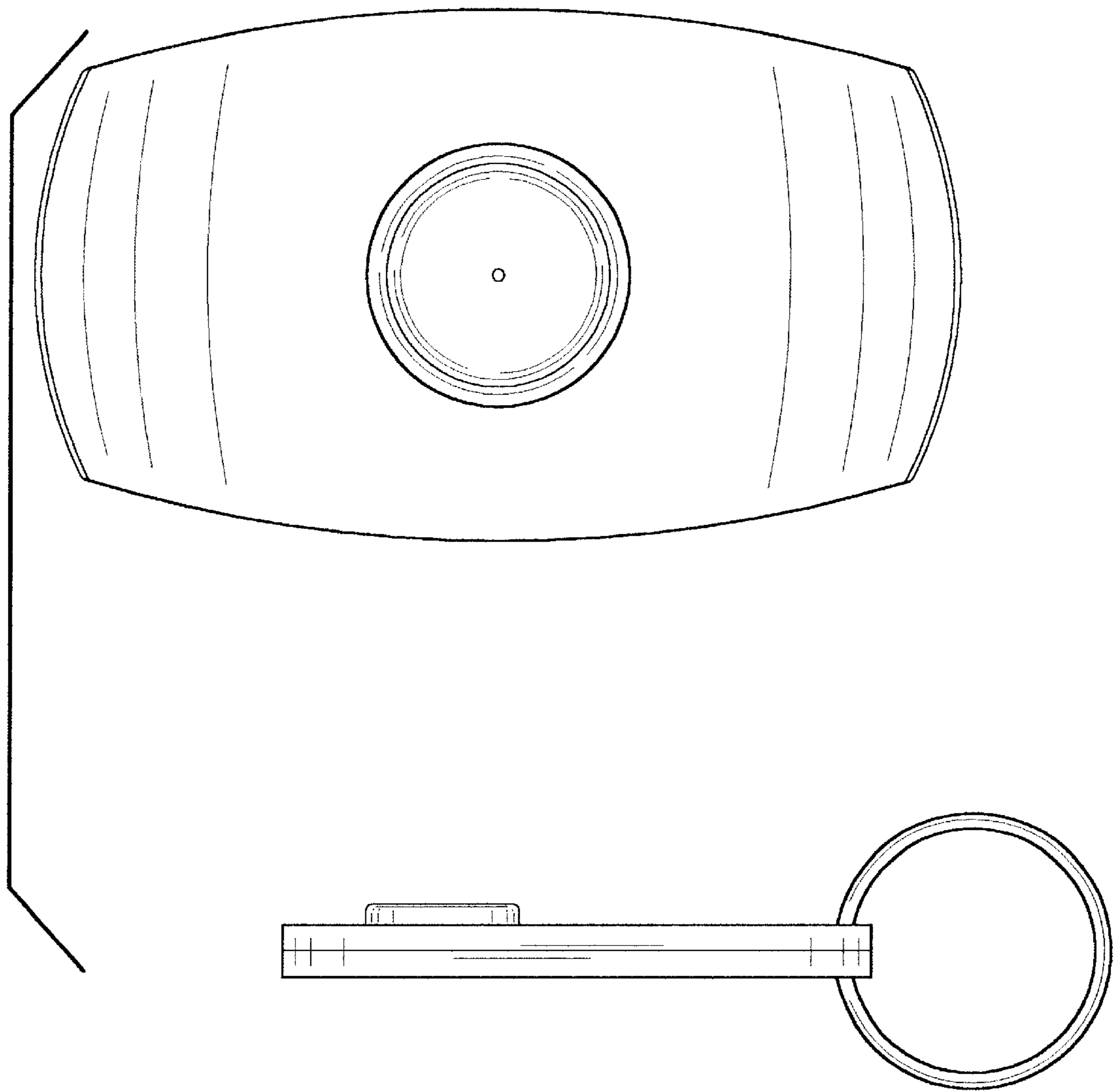


FIG. 6