



US00D470939S

(12) **United States Design Patent**
Daftary

(10) **Patent No.: US D470,939 S**

(45) **Date of Patent: ** Feb. 25, 2003**

(54) **ANATOMIC IMPLANT WITH A BEVELED EDGE**

(76) **Inventor: Fereidoun Daftary**, 9001 Wilshire Blvd., No. 205, Beverly Hills, CA (US) 90211

(**) **Term: 14 Years**

(21) **Appl. No.: 29/156,441**

(22) **Filed: Mar. 1, 2002**

(51) **LOC (7) Cl. 24-03**

(52) **U.S. Cl. D24/156**

(58) **Field of Search D24/156; 433/172-174**

(56) **References Cited**

U.S. PATENT DOCUMENTS

D296,362 S	*	6/1988	Branemark	D24/156
5,759,034 A	*	6/1998	Daftary	433/173
5,762,499 A	*	6/1998	Dard et al.	433/173

* cited by examiner

Primary Examiner—Antoine Duval Davis

(74) *Attorney, Agent, or Firm*—Thomas I. Rozsa; Tony D. Chen

(57) **CLAIM**

The ornamental design for an anatomic implant with a beveled edge, as shown and described.

DESCRIPTION

FIG. 1 is a perspective view of an anatomic implant with a beveled edge, showing my new design;

FIG. 2 is a front elevational view thereof;

FIG. 3 is a rear elevational view thereof;

FIG. 4 is a left side elevational view, when viewed from FIG. 2;

FIG. 5 is a right side elevational view, when viewed from FIG. 2;

FIG. 6 is a top plan view thereof;

FIG. 7 is a bottom plan view thereof;

FIG. 8 is a perspective view of another embodiment of the anatomic implant with a beveled edge, shown in FIG. 1, showing my new design;

FIG. 9 is a front elevational view thereof;

FIG. 10 is a rear elevational view thereof;

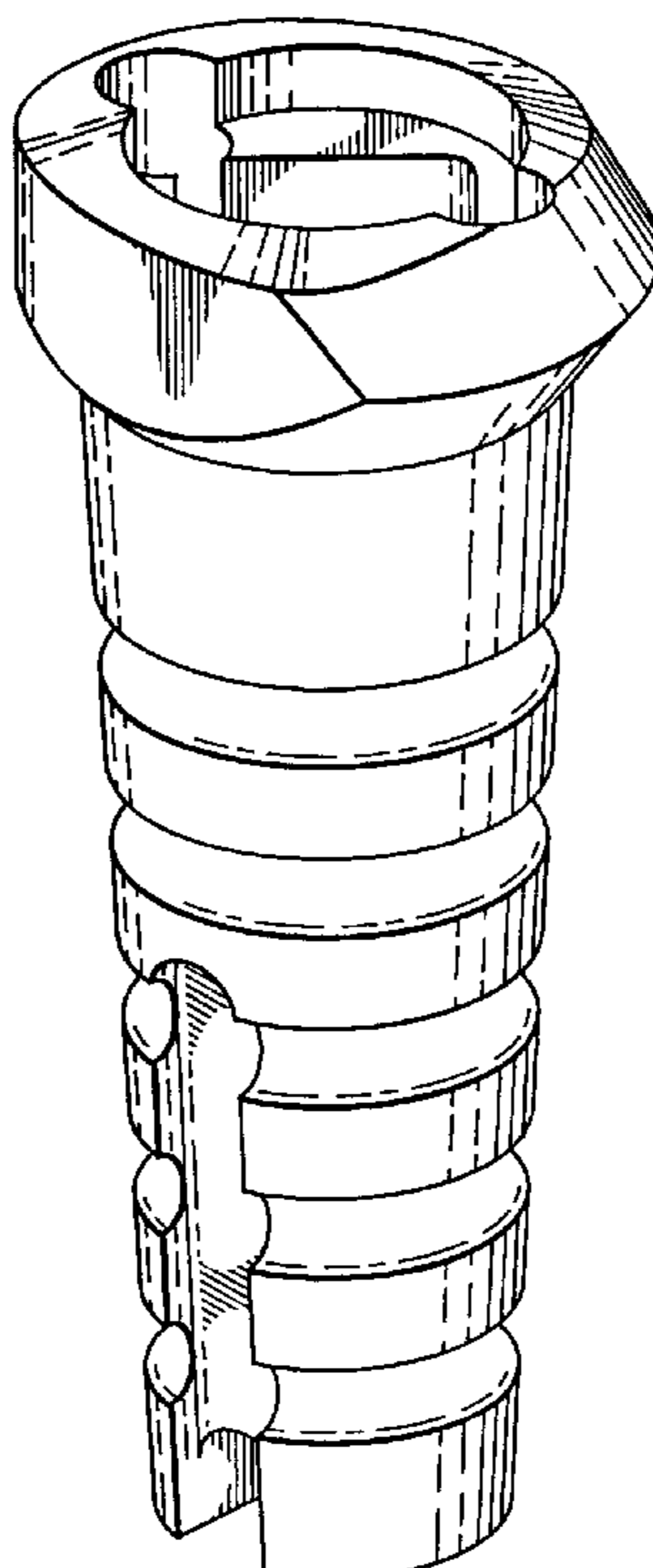
FIG. 11 is a left side elevational view, when viewed from FIG. 9;

FIG. 12 is a right side elevational view, when viewed from FIG. 9;

FIG. 13 is a top plan view thereof; and,

FIG. 14 is a bottom plan view thereof.

1 Claim, 4 Drawing Sheets



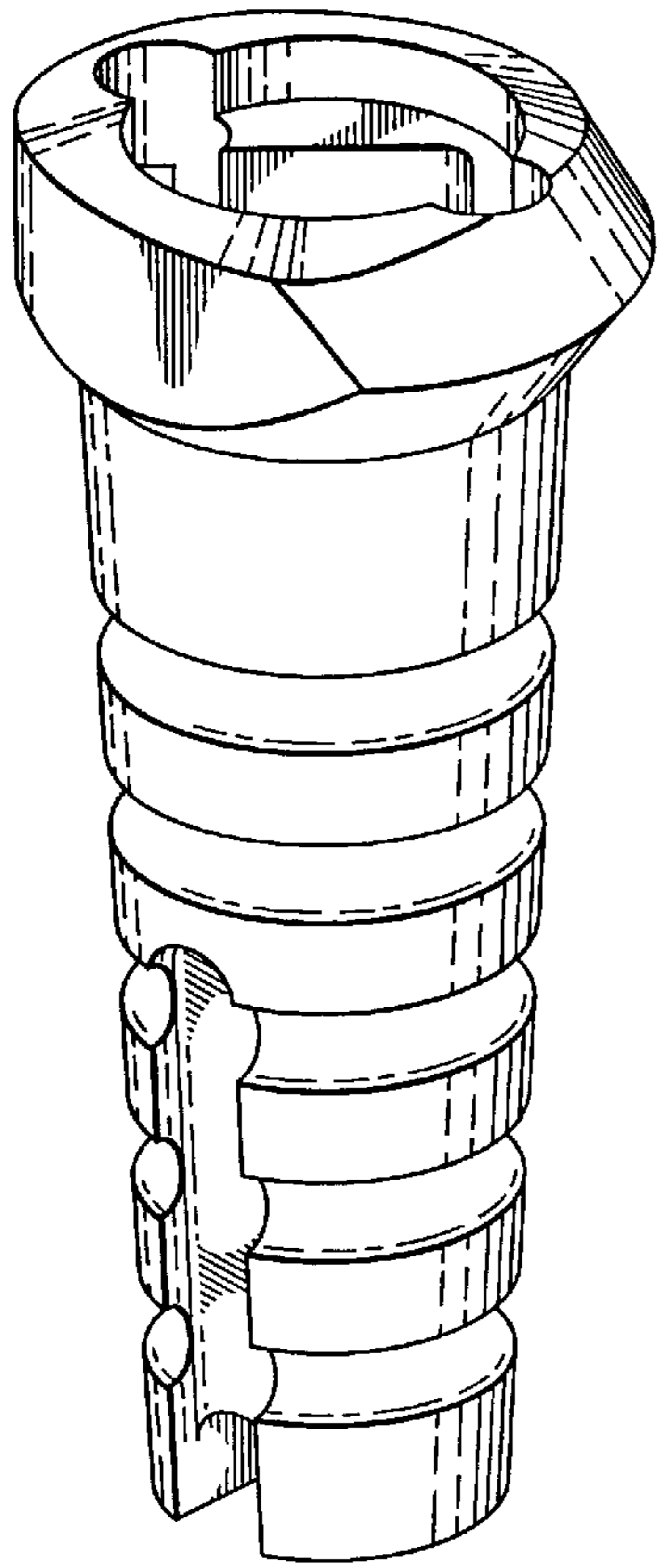


FIG. 1

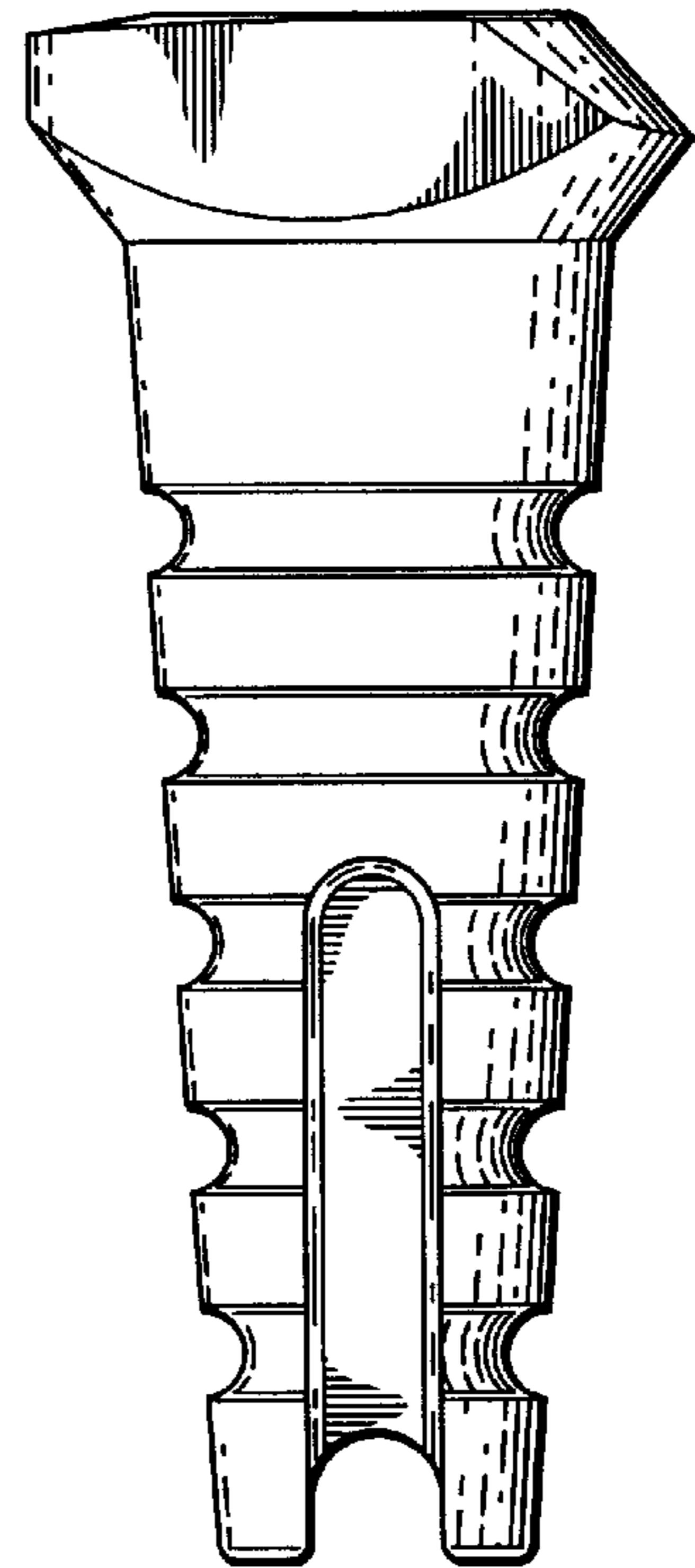


FIG. 2

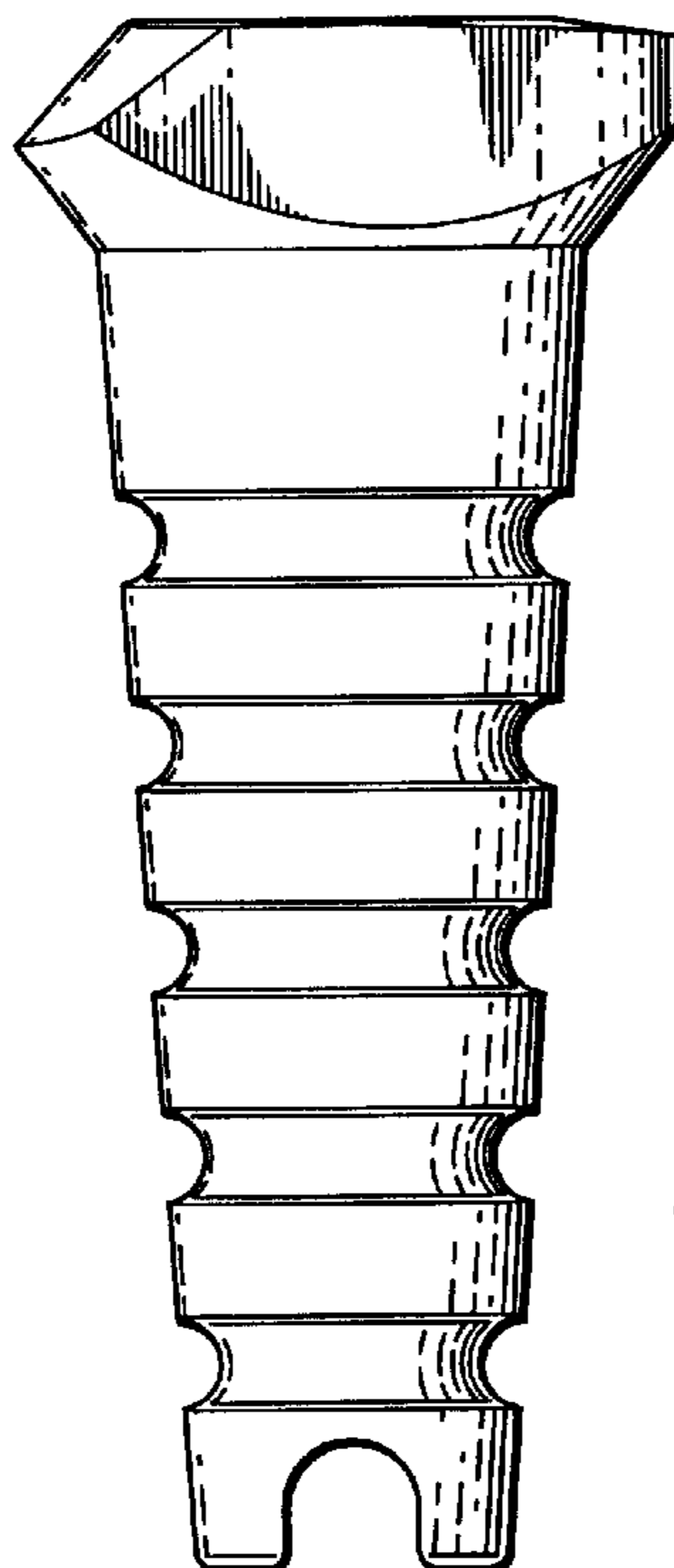


FIG. 3

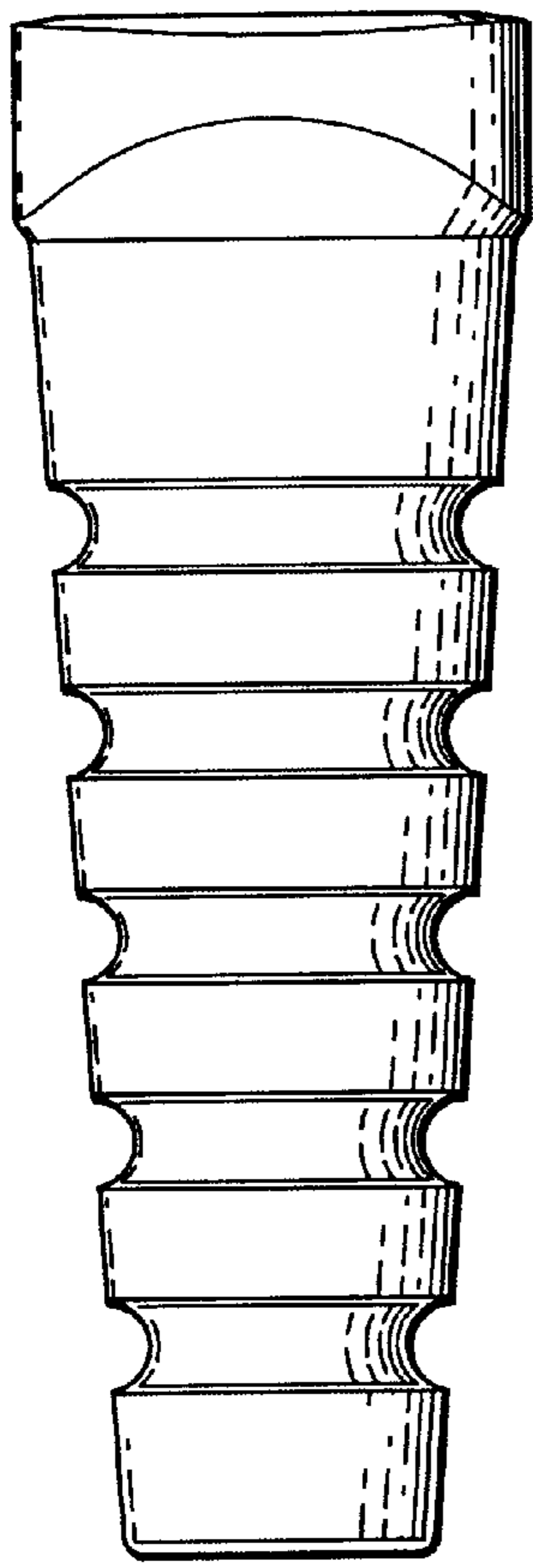


FIG. 4

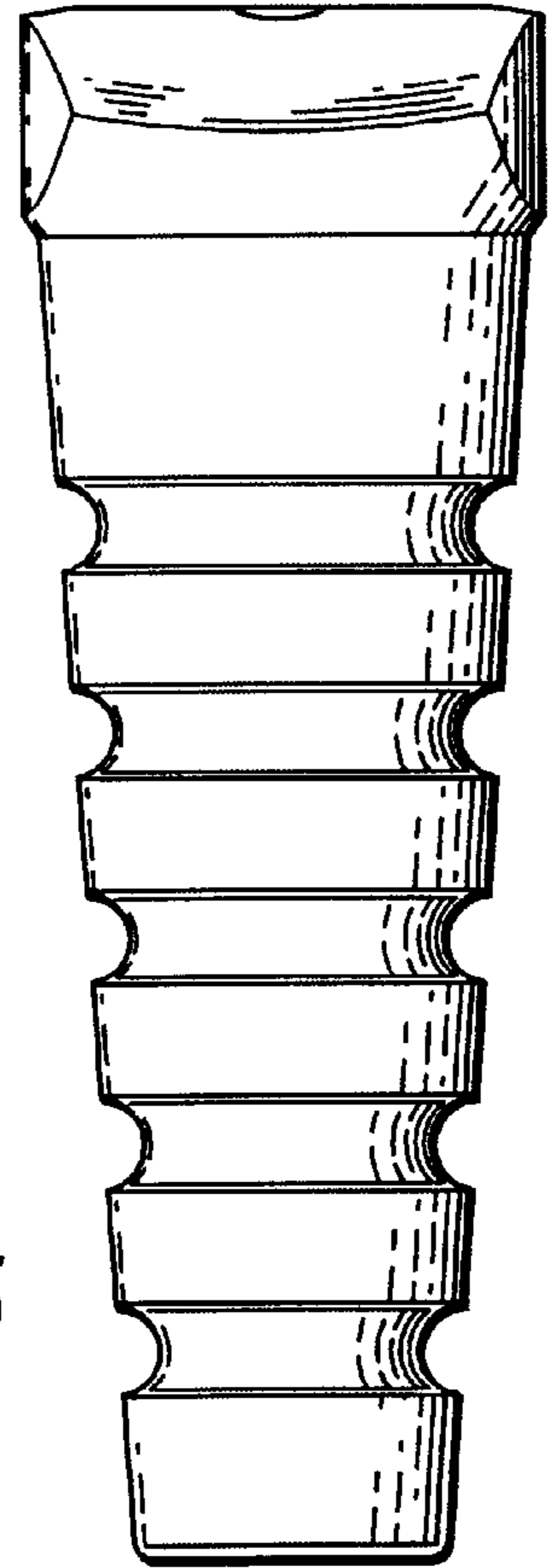


FIG. 5

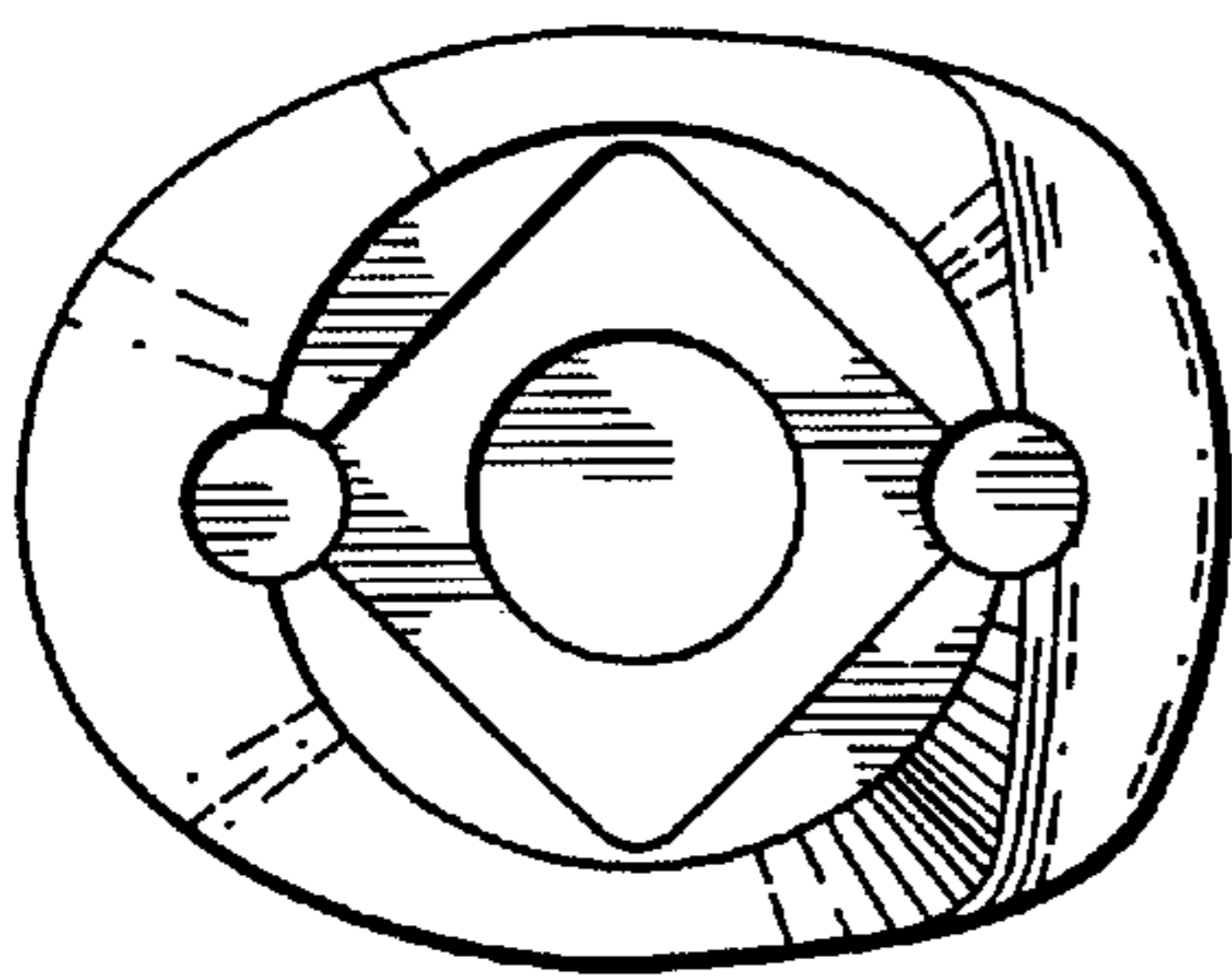


FIG. 6

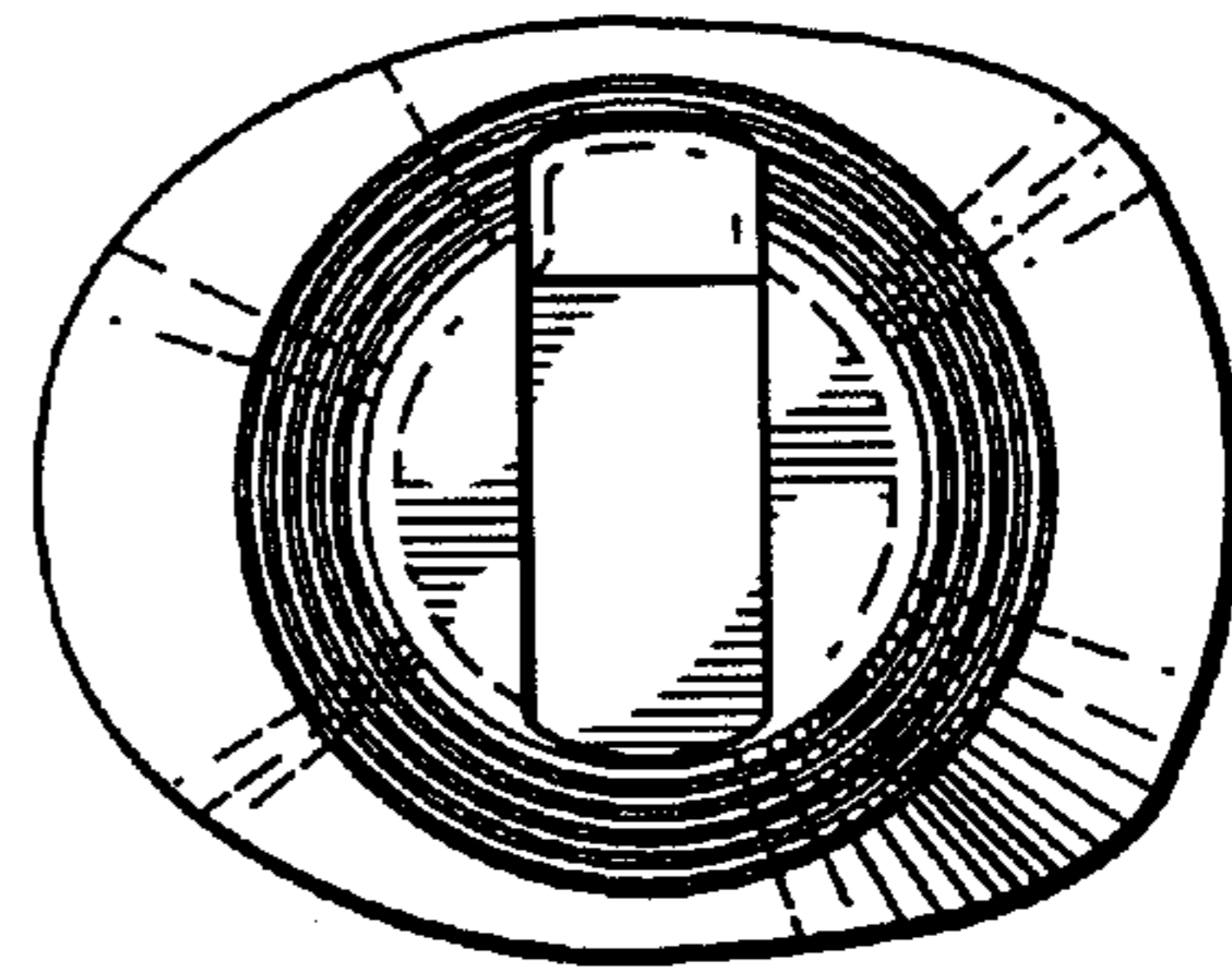


FIG. 7

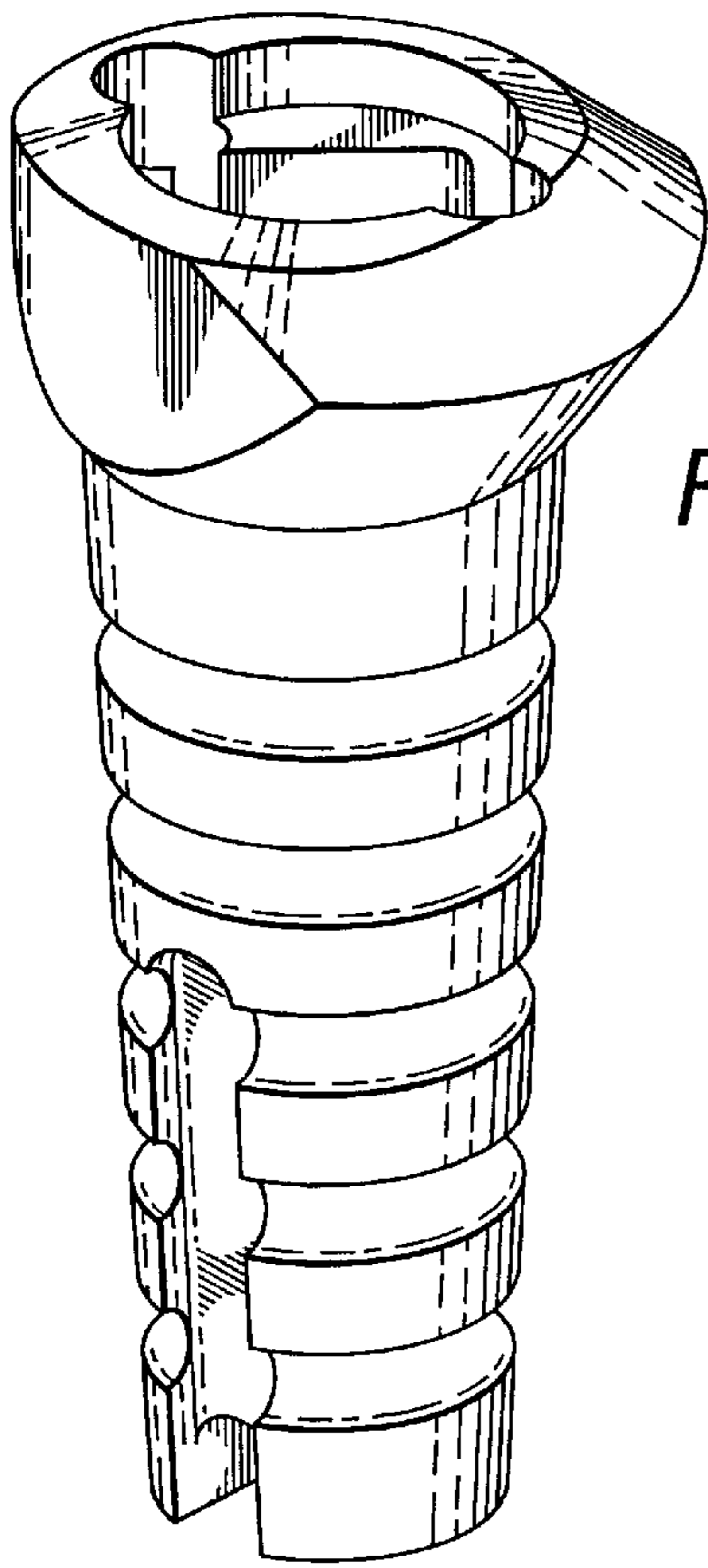


FIG. 8

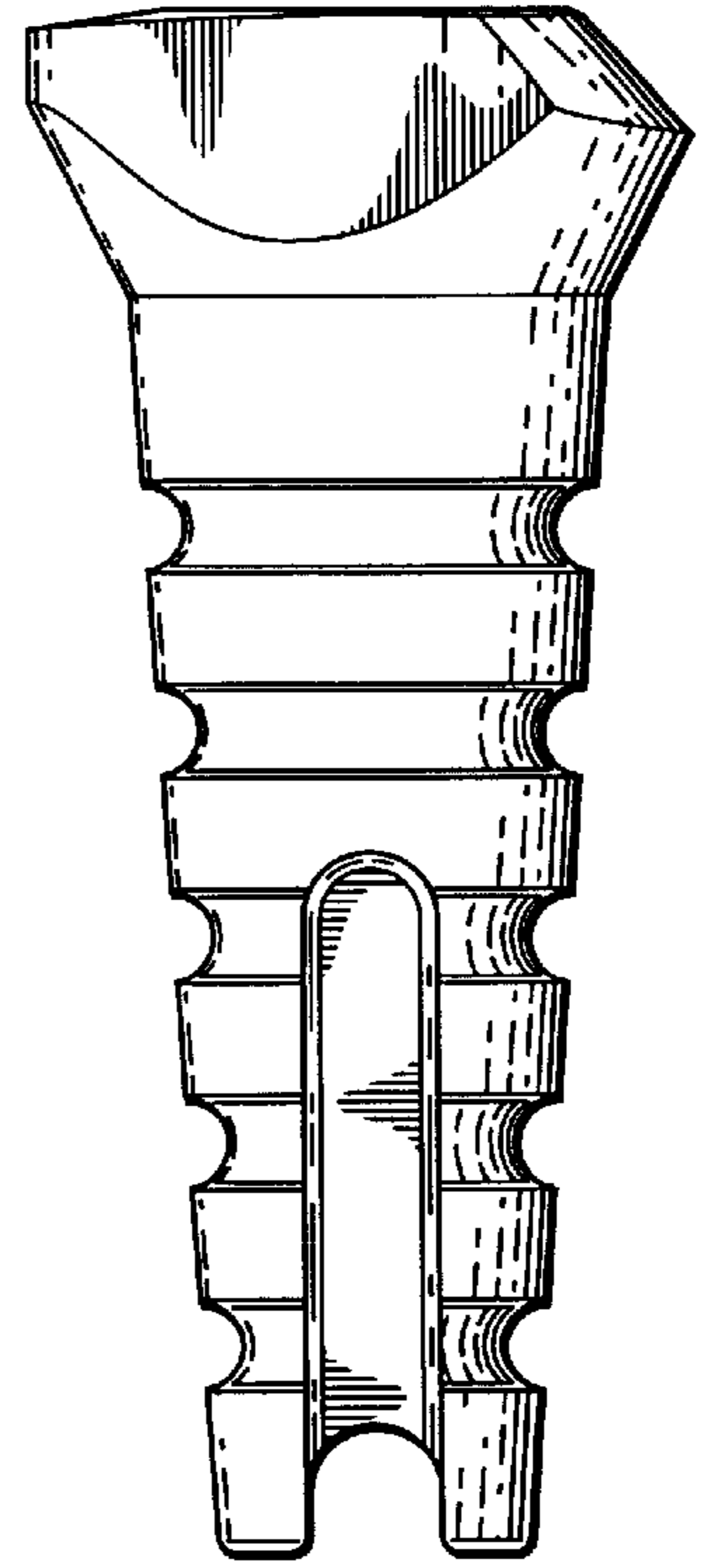


FIG. 9

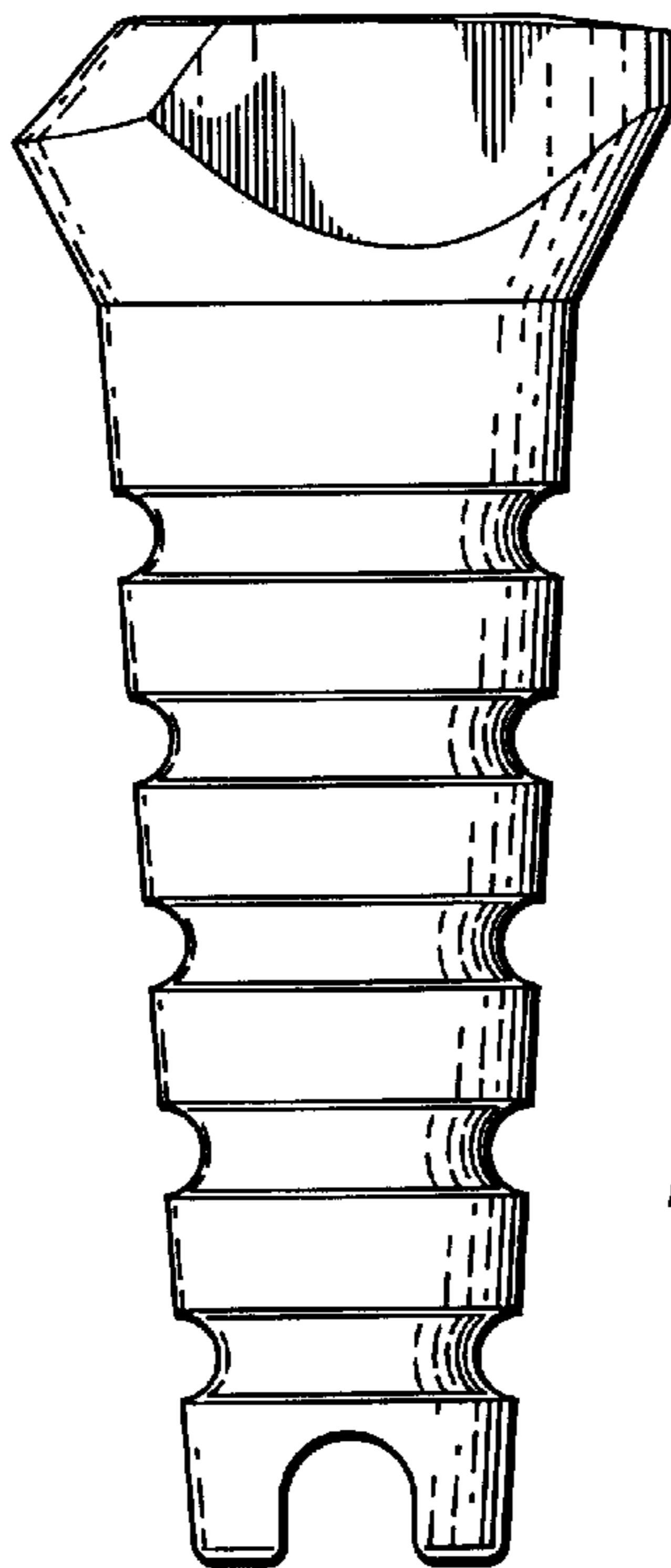


FIG. 10

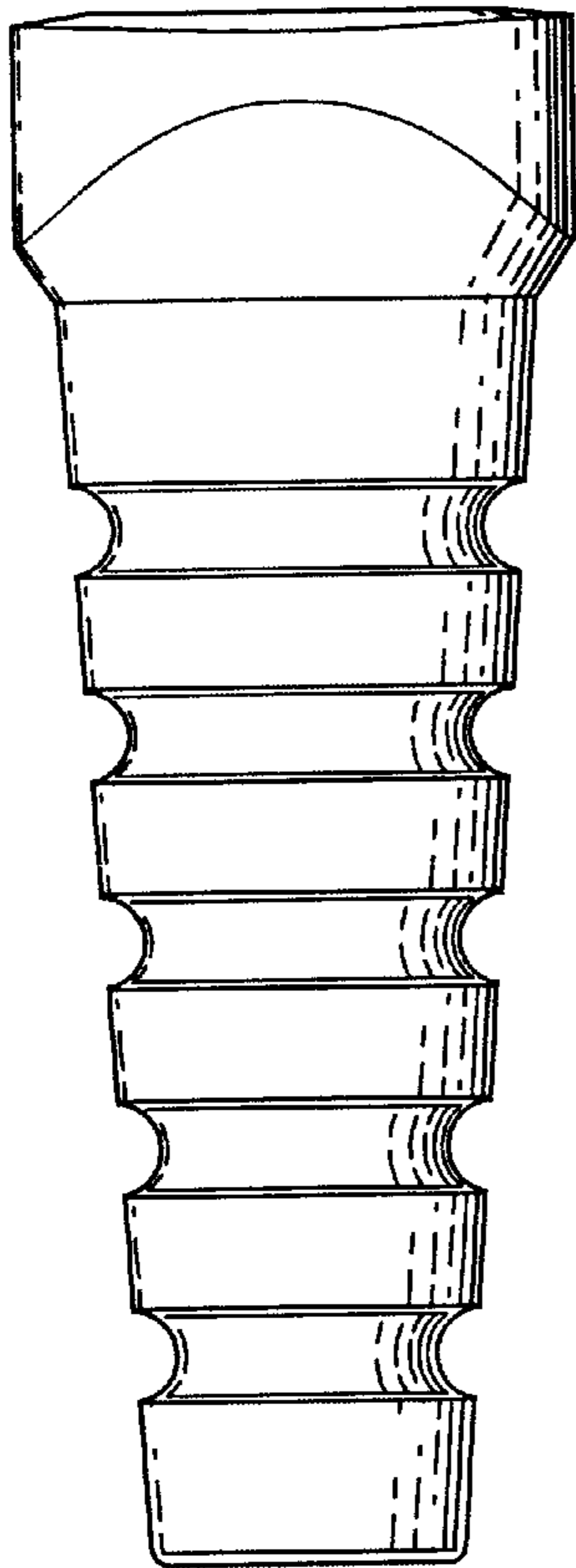


FIG. 11

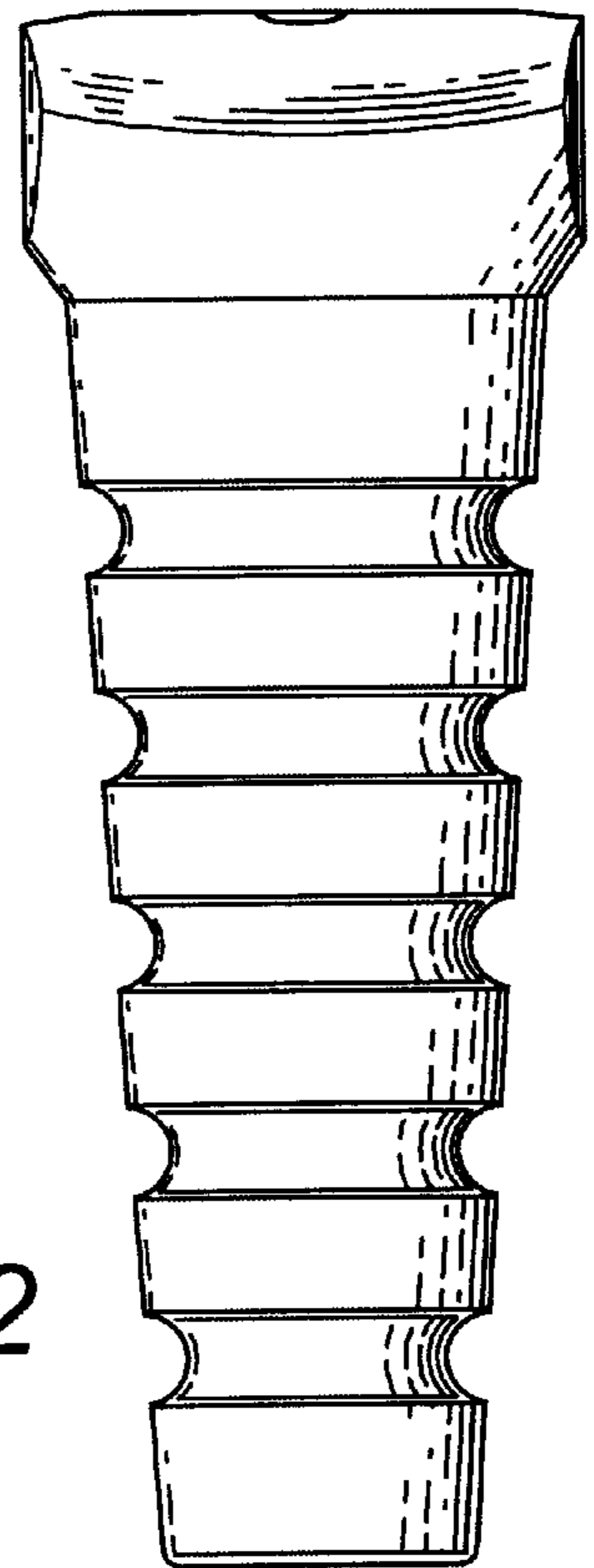


FIG. 12

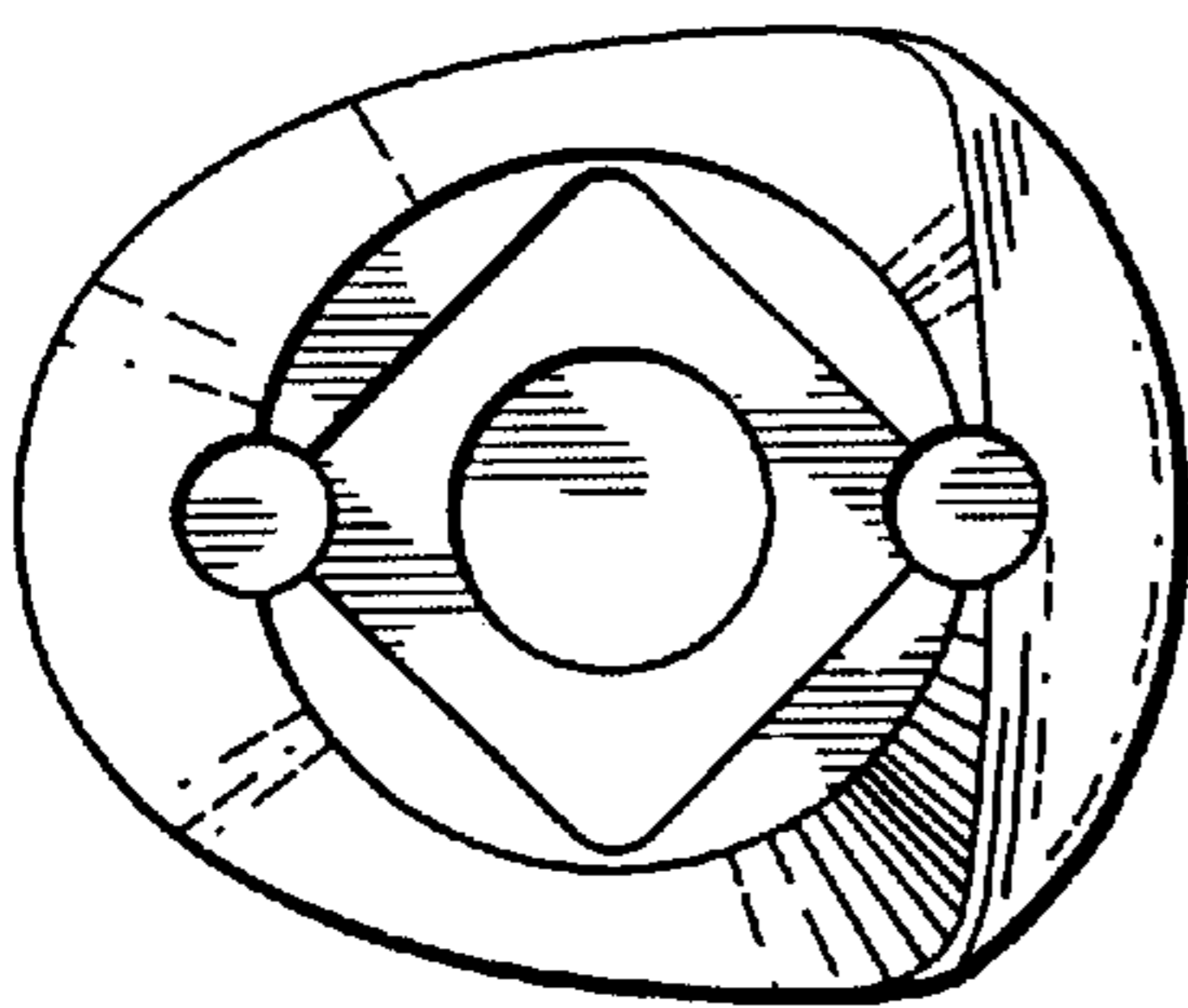


FIG. 13

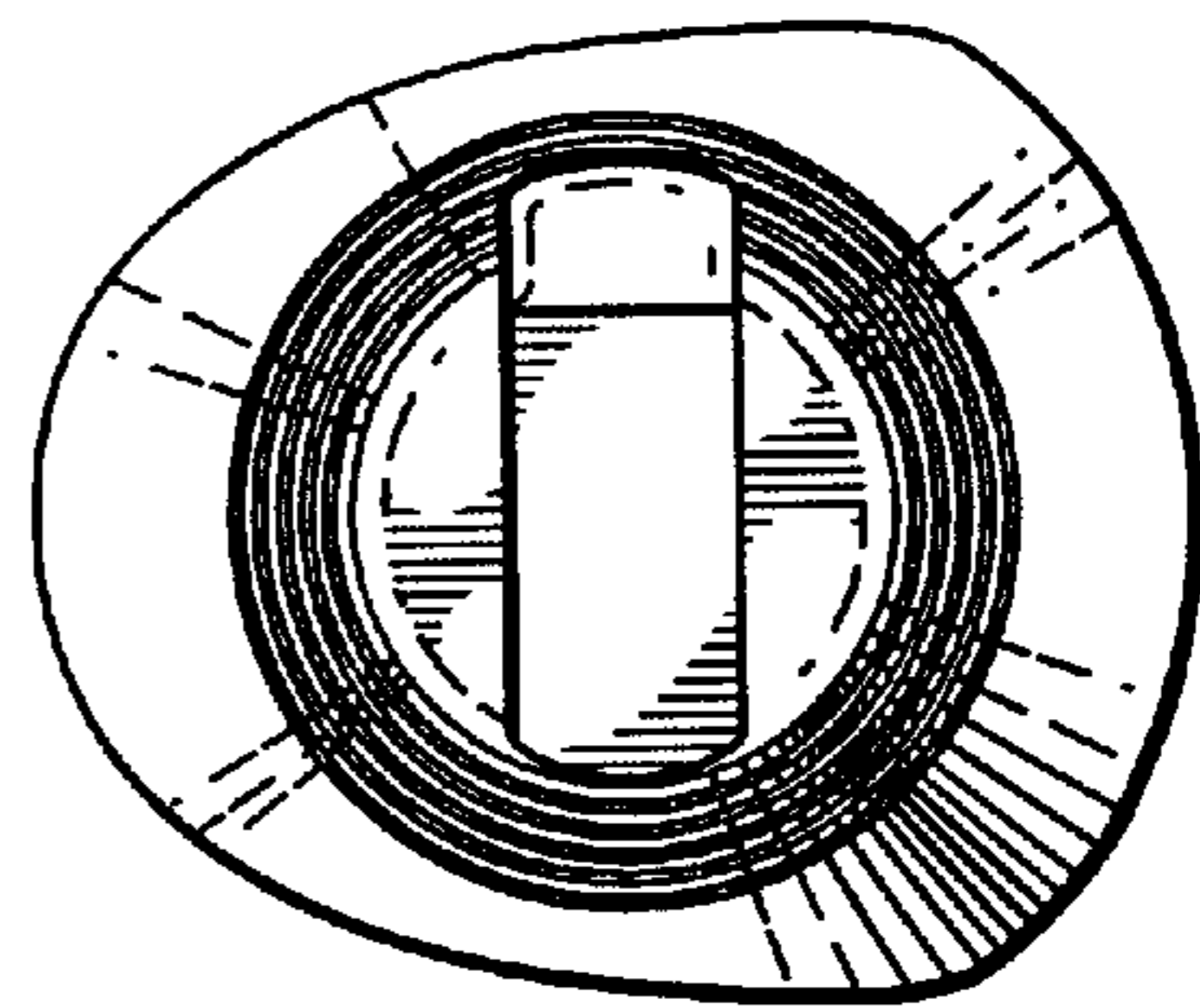


FIG. 14