



US00D470934S

(12) **United States Design Patent**
Pierson et al.

(10) **Patent No.:** **US D470,934 S**

(45) **Date of Patent:** **** Feb. 25, 2003**

(54) **DISPENSING SYRINGE**

(75) Inventors: **Paul R. Pierson**, Camden, DE (US);
Curt E. Metzbower, Wyoming, DE (US)

(73) Assignee: **Dentsply Research & Development Corp.**

(**) Term: **14 Years**

(21) Appl. No.: **29/153,747**

(22) Filed: **Jan. 10, 2002**

(51) **LOC (7) Cl.** **24-02**

(52) **U.S. Cl.** **D24/114**

(58) **Field of Search** D24/114, 112,
D24/152, 176; 433/90, 89, 224; 604/211,
227, 235, 241, 208, 209, 210

(56) **References Cited**

U.S. PATENT DOCUMENTS

4,184,490 A	1/1980	Jacklich	128/236
4,189,065 A	2/1980	Herold	222/46
4,269,331 A	5/1981	Watson	222/390
D274,838 S	* 7/1984	Shadwell	D24/114
4,479,781 A	10/1984	Herold et al.	433/90
4,498,904 A	2/1985	Turner et al.	604/211
4,560,352 A	12/1985	Neumeister et al.	433/90
D287,877 S	* 1/1987	Holewinski et al.	D24/114
4,710,179 A	12/1987	Harber et al.	604/211
4,732,302 A	3/1988	Muhlbauer	222/390
4,863,072 A	9/1989	Perler	222/390
4,909,788 A	3/1990	Egolf	604/187
5,267,859 A	12/1993	Discko, Jr.	433/89
5,531,709 A	7/1996	Eykman et al.	604/218
5,603,701 A	2/1997	Fischer	604/211

5,618,273 A	4/1997	Fischer	604/211
5,620,423 A	4/1997	Eykman et al.	604/217
5,647,856 A	7/1997	Eykman et al.	604/181
5,961,491 A	10/1999	McGary et al.	604/110
5,997,514 A	12/1999	Balestracci	604/227
D419,236 S	* 1/2000	Carlson et al.	D24/114
D421,121 S	* 2/2000	Prasad et al.	D24/114

FOREIGN PATENT DOCUMENTS

DE	91 00 284.2	6/1991
DE	295 21 073	9/1996
GN	1 515 219	4/1976
WO	00/16829	9/1999

* cited by examiner

Primary Examiner—Ian Simmons

(74) *Attorney, Agent, or Firm*—Douglas J. Hura; James B. Bieber

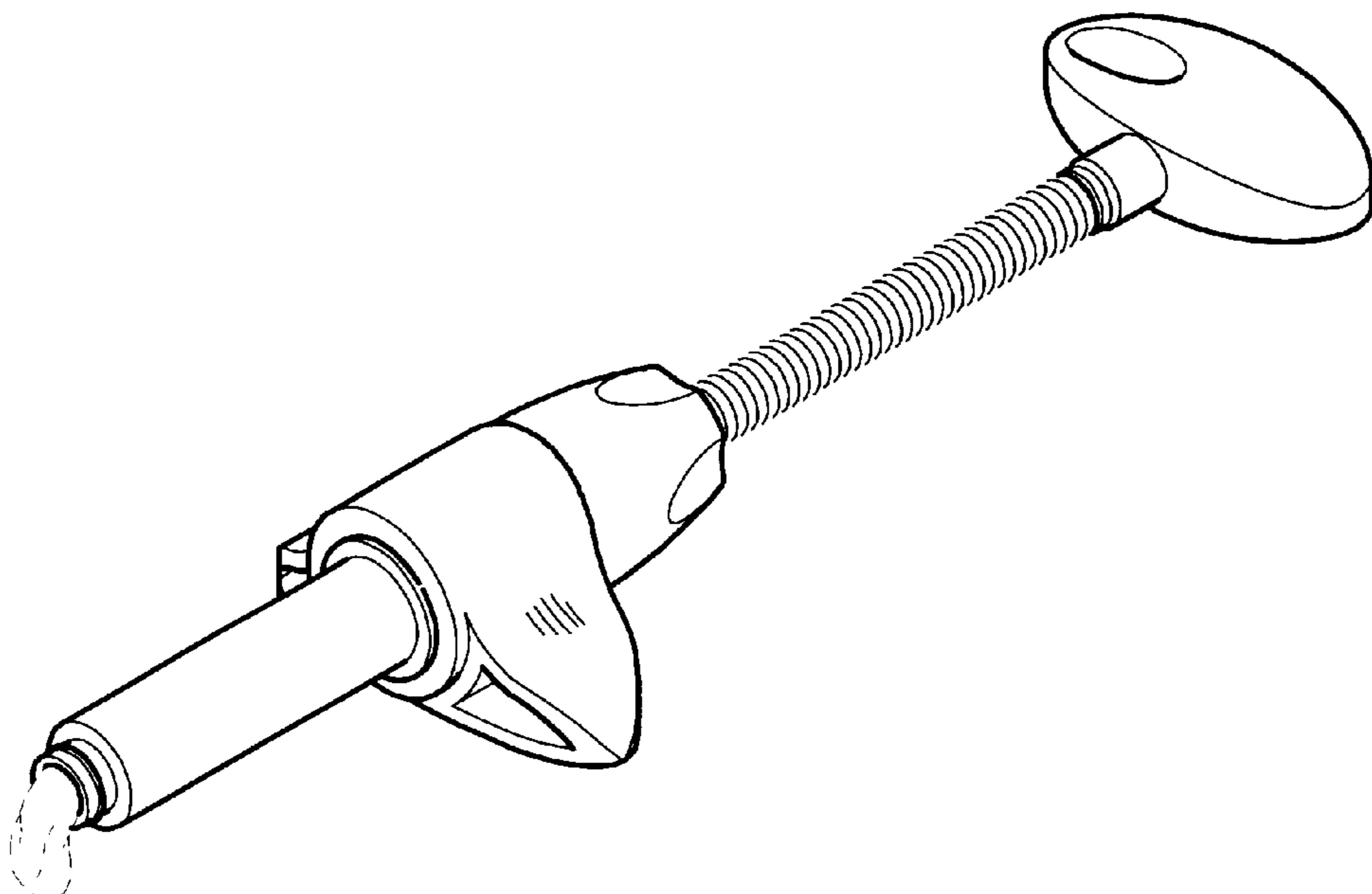
(57) **CLAIM**

The ornamental design for a dispensing syringe, as shown and described.

DESCRIPTION

FIG. 1 is an exploded perspective view for a dispensing syringe showing our new design; FIG. 2 is a perspective view thereof, shown in assembled condition; FIG. 3 is a side elevational view thereof; FIG. 4 is a bottom plan view thereof; and, FIG. 5 is a rear elevational view thereof. The broken line showing in FIGS. 1 and 2 of the cap and material are is for illustrative purposes only and forms no part of the claimed design.

1 Claim, 2 Drawing Sheets



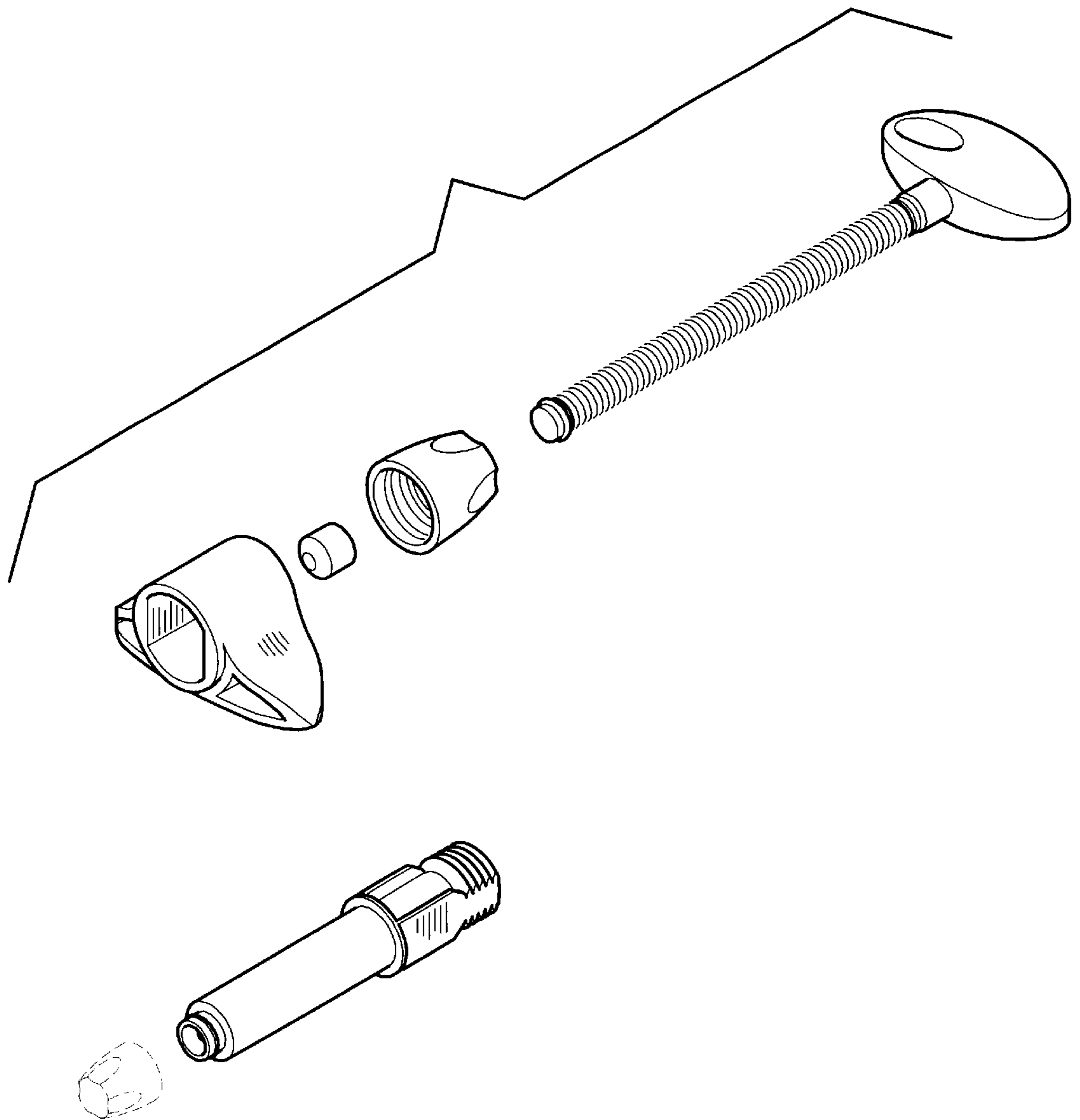


Fig. 1

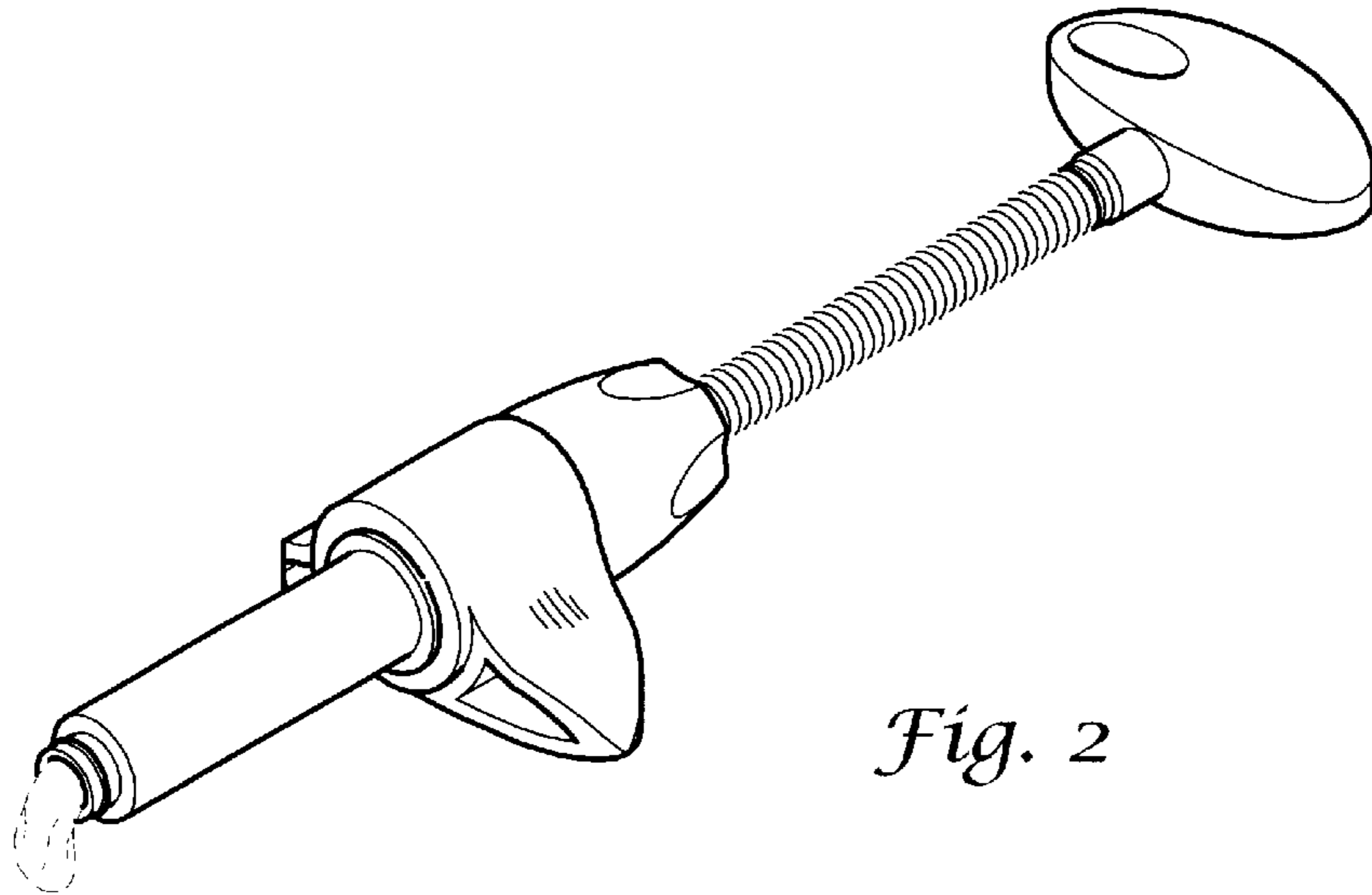


Fig. 2

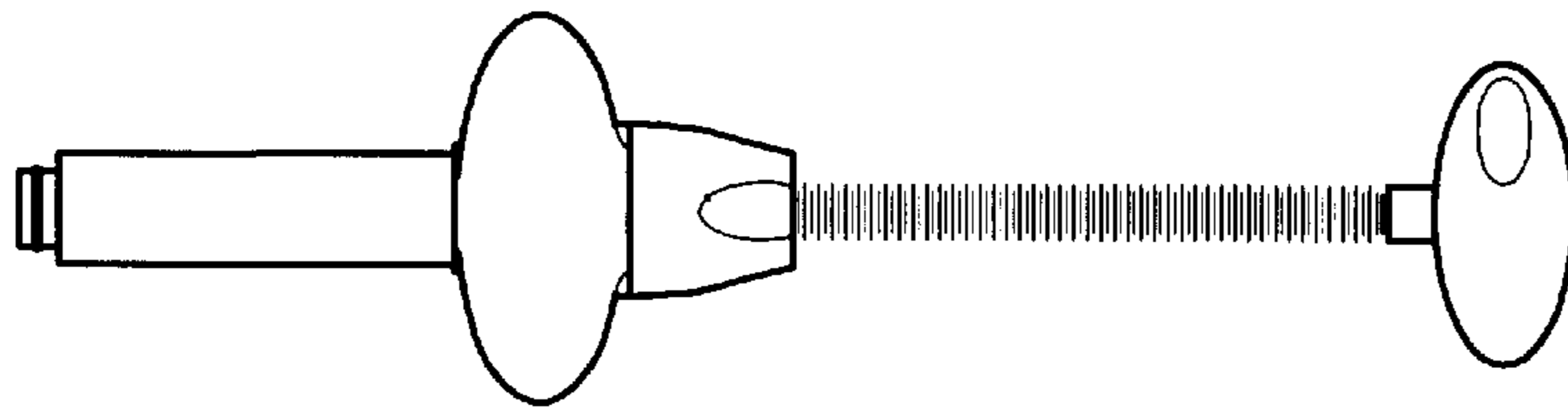


Fig. 4

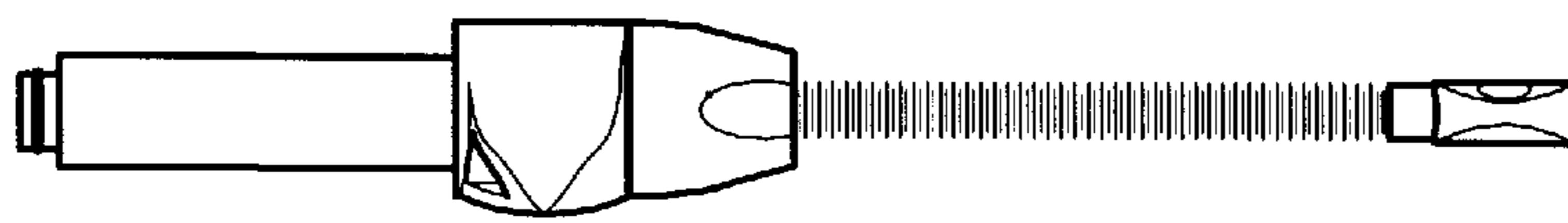


Fig. 3

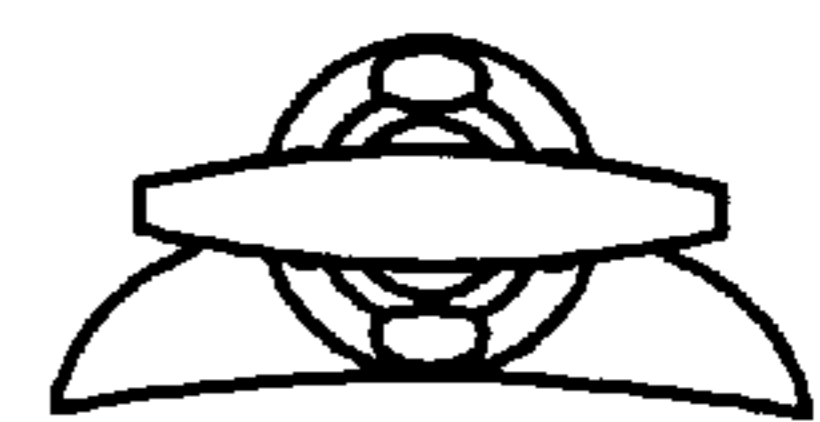


Fig. 5