



US00D470932S

(12) **United States Design Patent**  
**Smith et al.**

(10) **Patent No.:** **US D470,932 S**

(45) **Date of Patent:** **\*\* Feb. 25, 2003**

(54) **OUTDOOR-HEATER OFFSET ARM**

D450,816 S \* 11/2001 Bilotti ..... D23/328

(75) Inventors: **Richard R. Smith**, Broken Arrow, OK (US); **Wei Dong Jin**, Shenzhen (CN)

**OTHER PUBLICATIONS**

Web page from Artic Products web site for Arctic® Heater.

(73) Assignee: **Arctic Products, LLC**, Broken Arrow, OK (US)

\* cited by examiner

(\*\*) Term: **14 Years**

*Primary Examiner*—Louis S. Zarfes

*Assistant Examiner*—Robert A. Delehanty

(74) *Attorney, Agent, or Firm*—Banner & Witcoff, Ltd.

(21) Appl. No.: **29/146,481**

(22) Filed: **Aug. 10, 2001**

(57) **CLAIM**

The ornamental design for an outdoor-heater offset arm, as shown.

(51) **LOC (7) Cl.** ..... **23-03**

(52) **U.S. Cl.** ..... **D23/386**

(58) **Field of Search** ..... D3/5-6, 10, 12;  
135/98, 16, 18-26, 29-32, 33.71, 910;  
297/184.6; D23/342, 386; 126/29 A, 29 B;  
D22/123; 362/92, 217

**DESCRIPTION**

FIG. 1 is a front elevational view of an outdoor-heater offset arm showing our new design;

FIG. 2 is a left-side-elevational view thereof;

FIG. 3 is a rear elevational view thereof;

FIG. 4 is a top plan view thereof; and,

FIG. 5 is a bottom plan view thereof. The broken line showing of other parts of an outdoor heater with offset arm are for illustrative purposes only and forms no part of the design.

(56) **References Cited**

**U.S. PATENT DOCUMENTS**

169,599	A	*	11/1875	Tibbals	.....	135/98	X
332,917	A	*	12/1885	Markham	.....	135/98	X
552,115	A	*	12/1895	Frye	.....	135/98	X
2,658,225	A	*	11/1953	Bascom	.....	297/184.16	
D398,443	S	*	9/1998	Bolle	.....	D3/5	

**1 Claim, 4 Drawing Sheets**

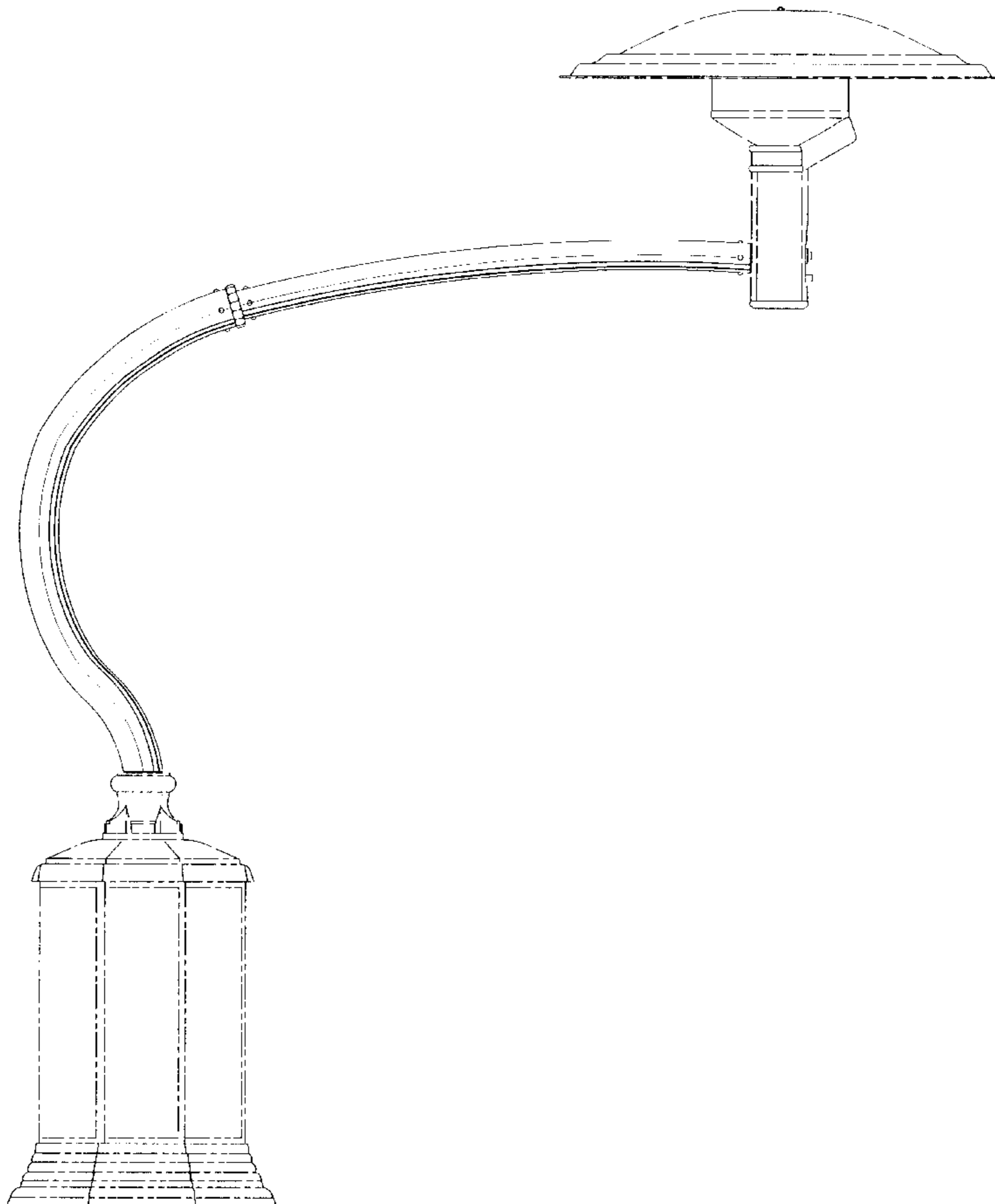


Fig. 1

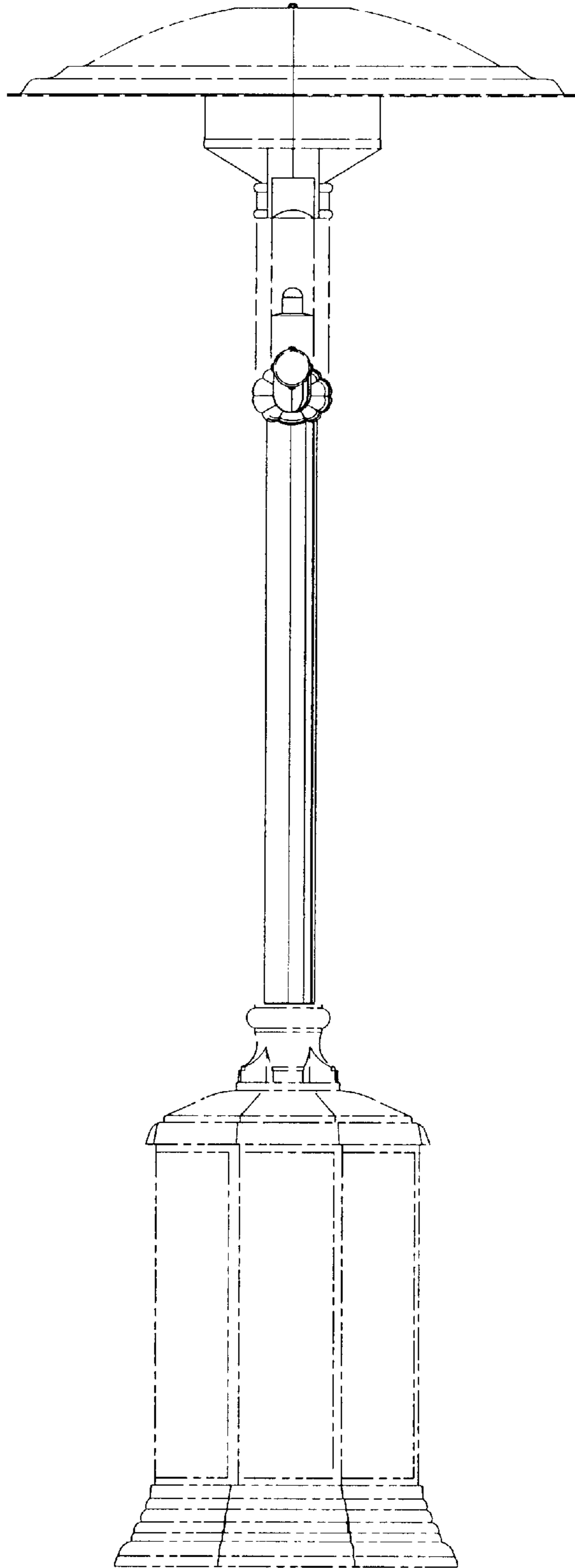


Fig. 2

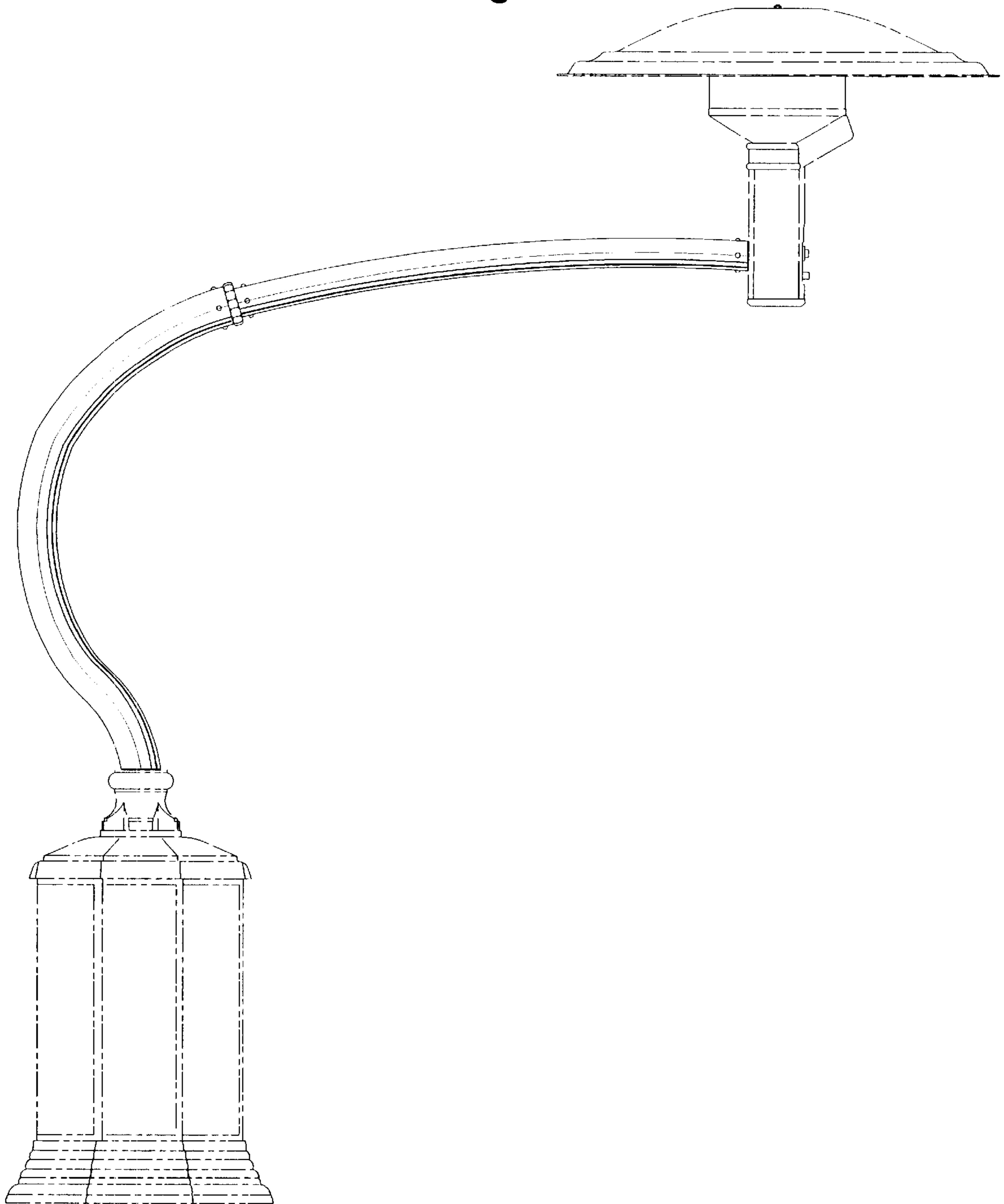


Fig. 3

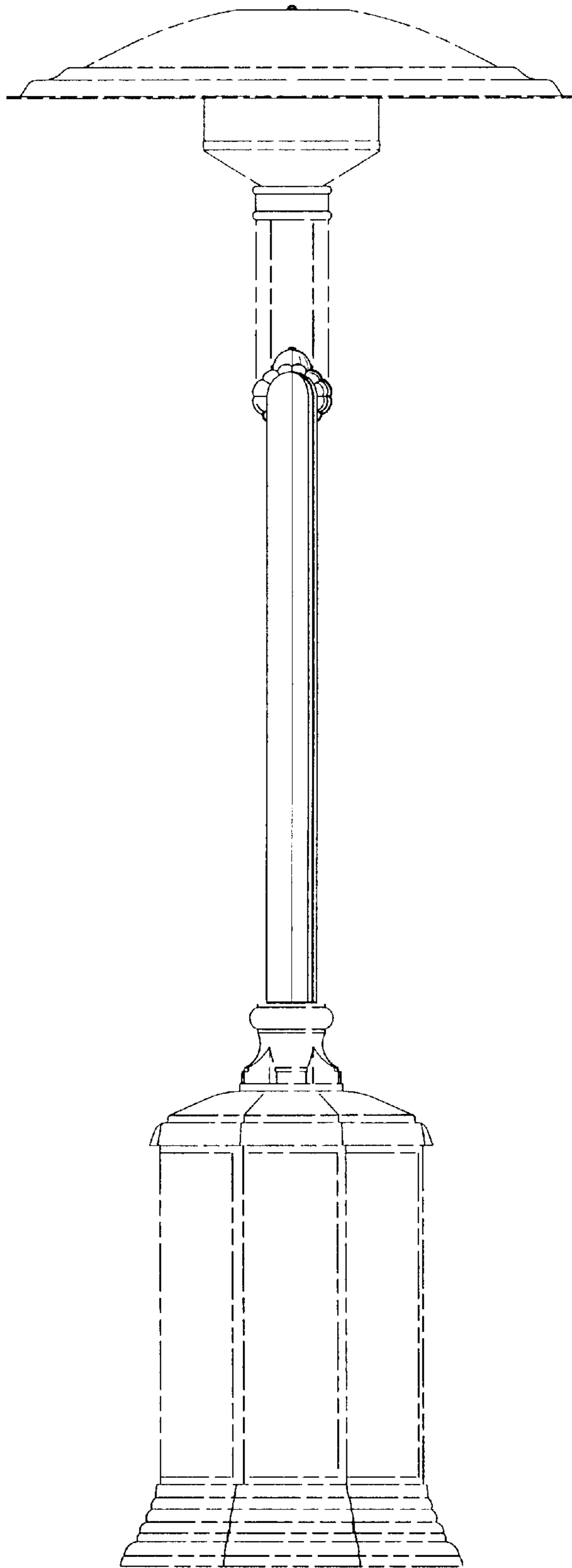


Fig. 4

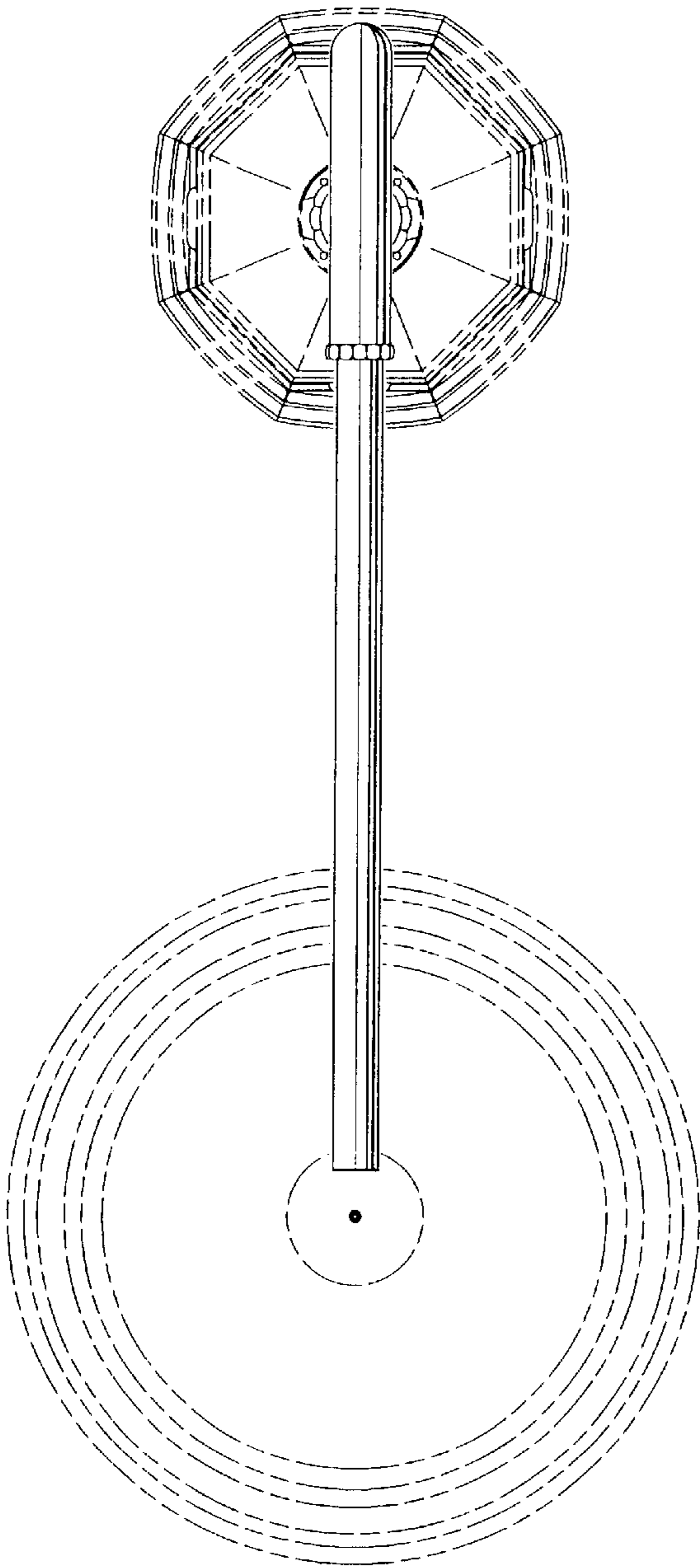


Fig. 5

