



US00D470921S

(12) **United States Design Patent**  
**Bush**

(10) **Patent No.:** **US D470,921 S**

(45) **Date of Patent:** **\*\* Feb. 25, 2003**

(54) **FLUSH VALVE COVER**

6,161,814 A \* 12/2000 Jahrling ..... 251/129.04  
D452,898 S \* 1/2002 Johnson ..... D23/233

(75) Inventor: **Shawn D. Bush**, Seminole County, FL (US)

\* cited by examiner

(73) Assignee: **I-Con Systems, Inc.**, Oviedo, FL (US)

*Primary Examiner*—Nelson C. Holtje  
(74) *Attorney, Agent, or Firm*—Webb Ziesenheim Logsdon Orkin & Hanson, P.C.

(\*\*) Term: **14 Years**

(21) Appl. No.: **29/153,065**

(57) **CLAIM**

(22) Filed: **Jan. 3, 2002**

The ornamental design for a flush valve cover, as shown and described.

(51) **LOC (7) Cl.** ..... **23-01**

**DESCRIPTION**

(52) **U.S. Cl.** ..... **D23/249**

(58) **Field of Search** ..... D23/233, 249;  
251/129.04, 30.03; 137/382; 4/DIG. 3

FIG. 1 is a front view of a flush valve cover according to my new design with a portion of a flush valve body shown in broken lines;

(56) **References Cited**

**U.S. PATENT DOCUMENTS**

- 5,169,118 A \* 12/1992 Whiteside ..... 251/30.03
- 5,195,720 A \* 3/1993 Nortier et al. .... 251/129.04
- D354,113 S 1/1995 Nortier et al. .... D23/233
- D355,478 S 2/1995 Allen et al. .... D23/249
- D382,941 S 8/1997 Nortier ..... D23/249
- D396,090 S \* 7/1998 Marcichow et al. .... D23/233
- D411,609 S 6/1999 Stoltenberg et al. .... D23/233

FIG. 2 is a rear view of my new valve cover design;

FIG. 3 is a top view thereof;

FIG. 4 is a left side view thereof;

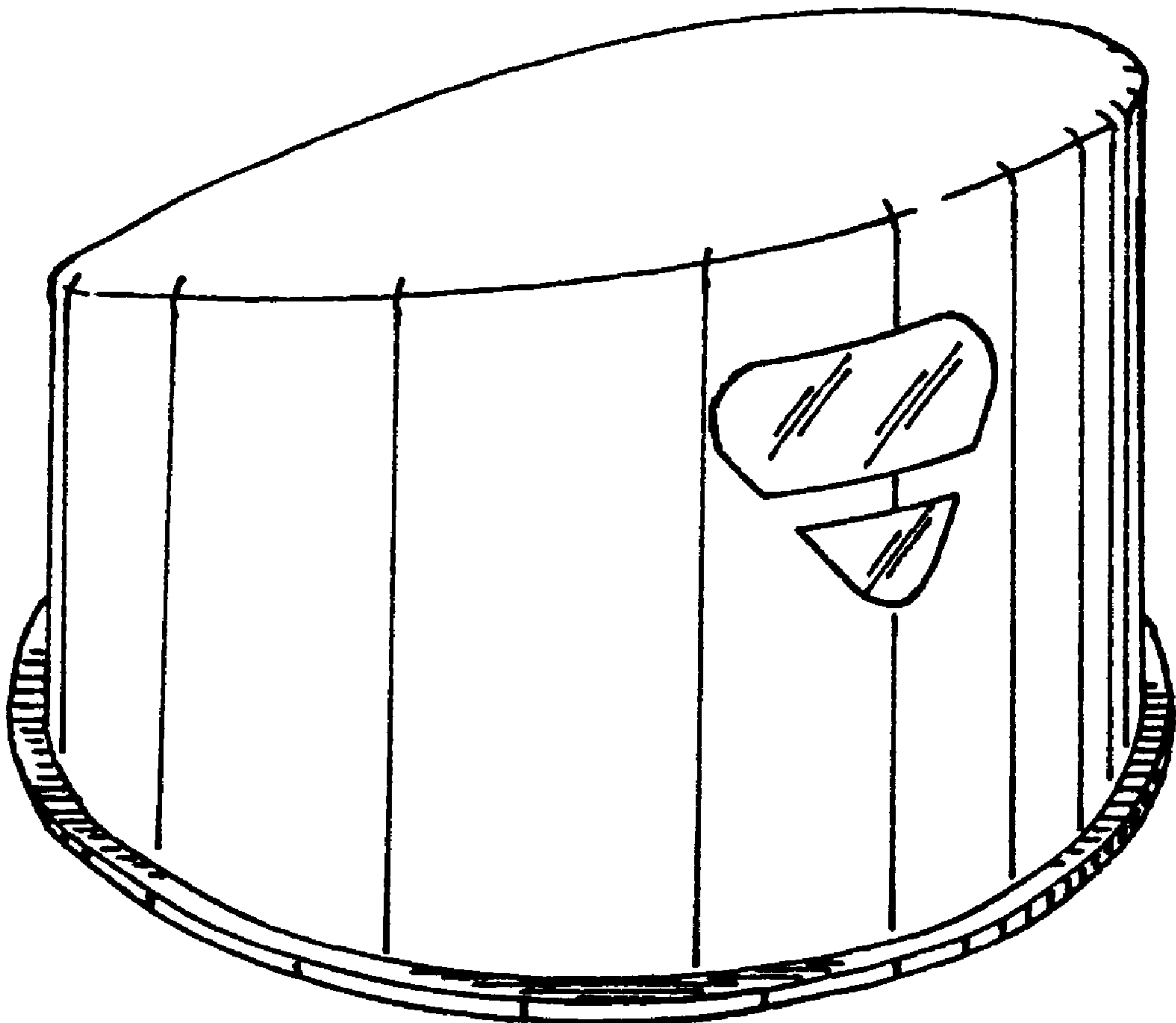
FIG. 5 is a bottom view thereof;

FIG. 6 is a top perspective thereof;

FIG. 7 is a right side view thereof; and,

FIG. 8 is a rear perspective view thereof.

**1 Claim, 3 Drawing Sheets**



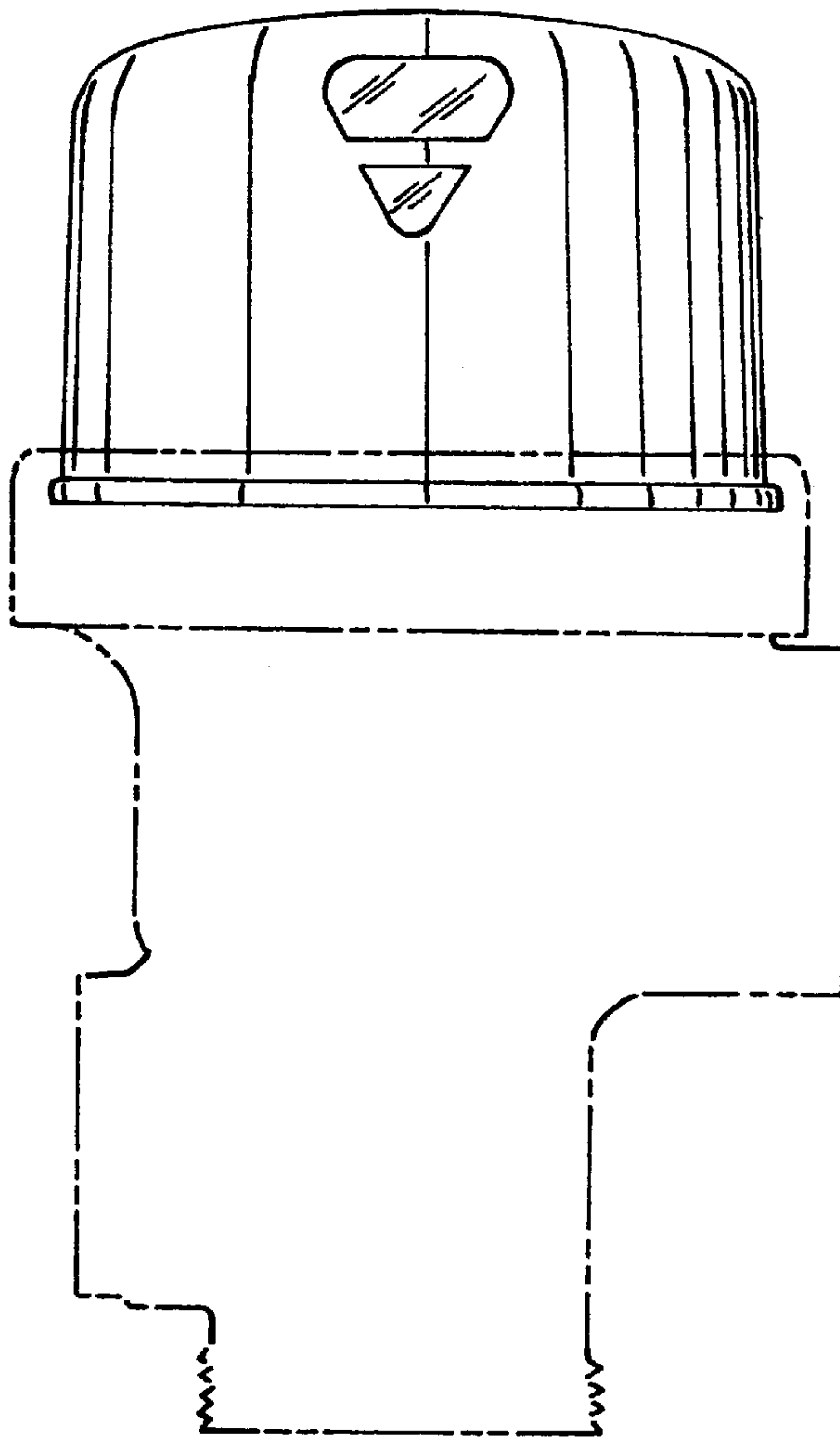


Fig. 1

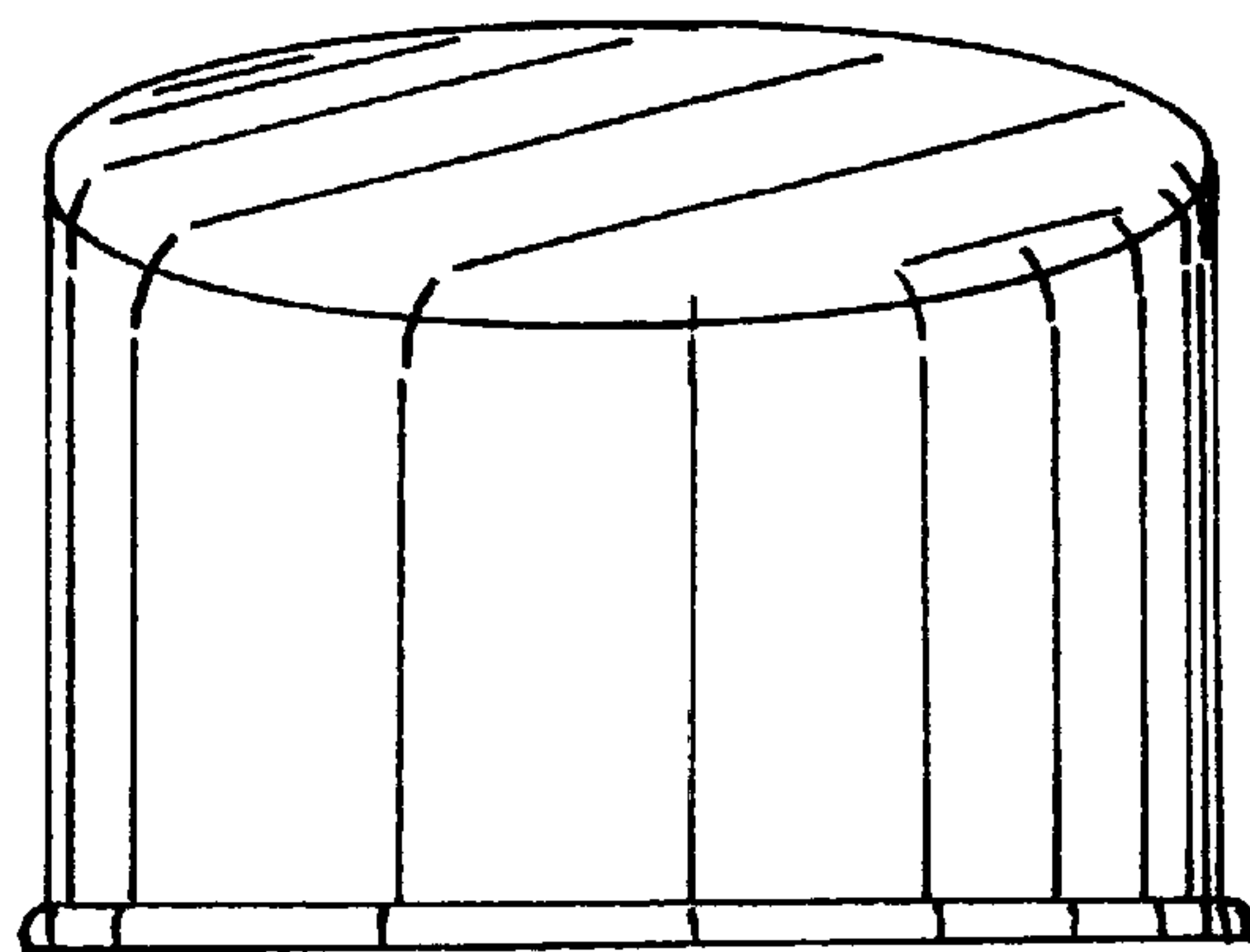


Fig. 2

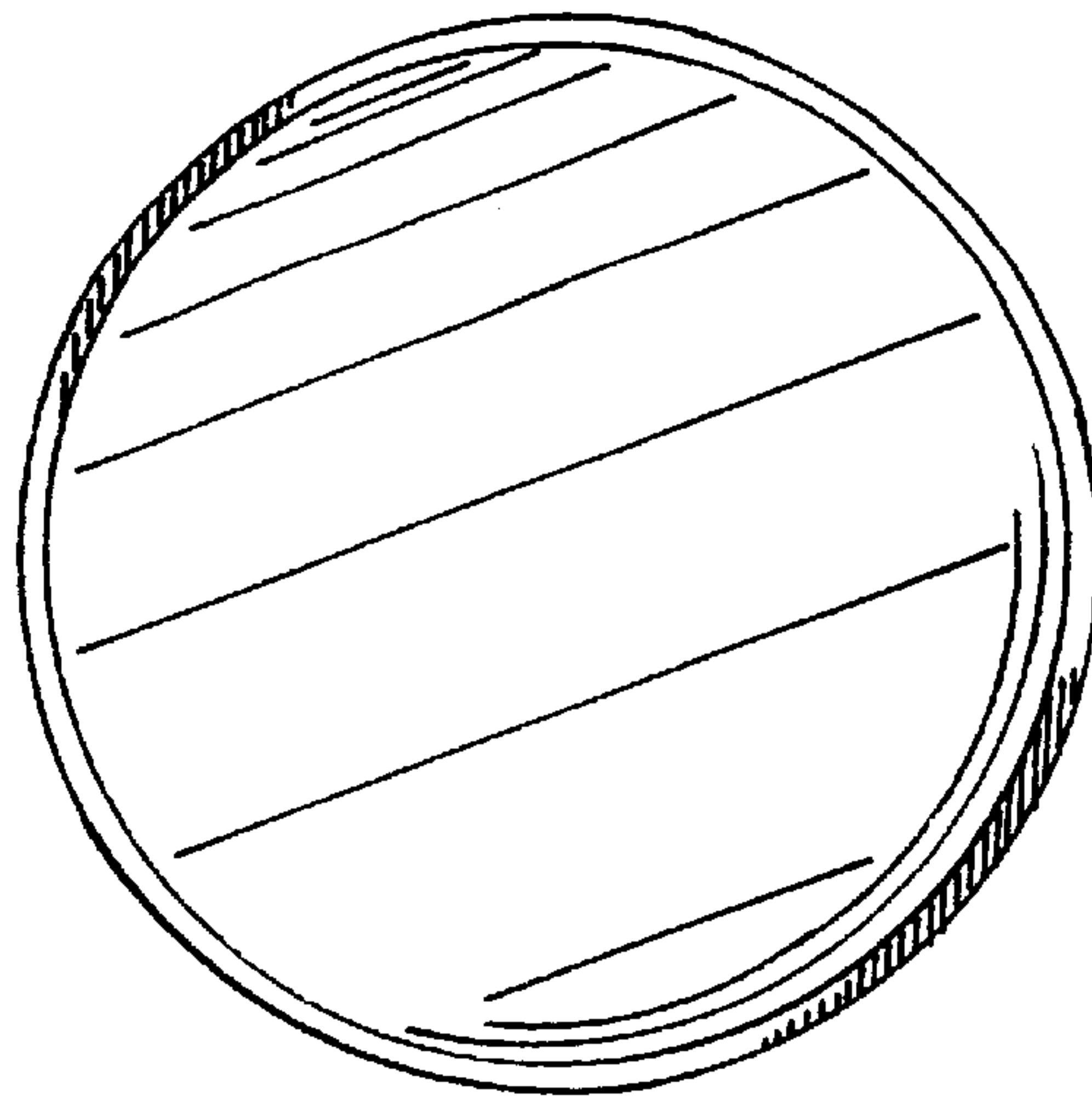


Fig. 3

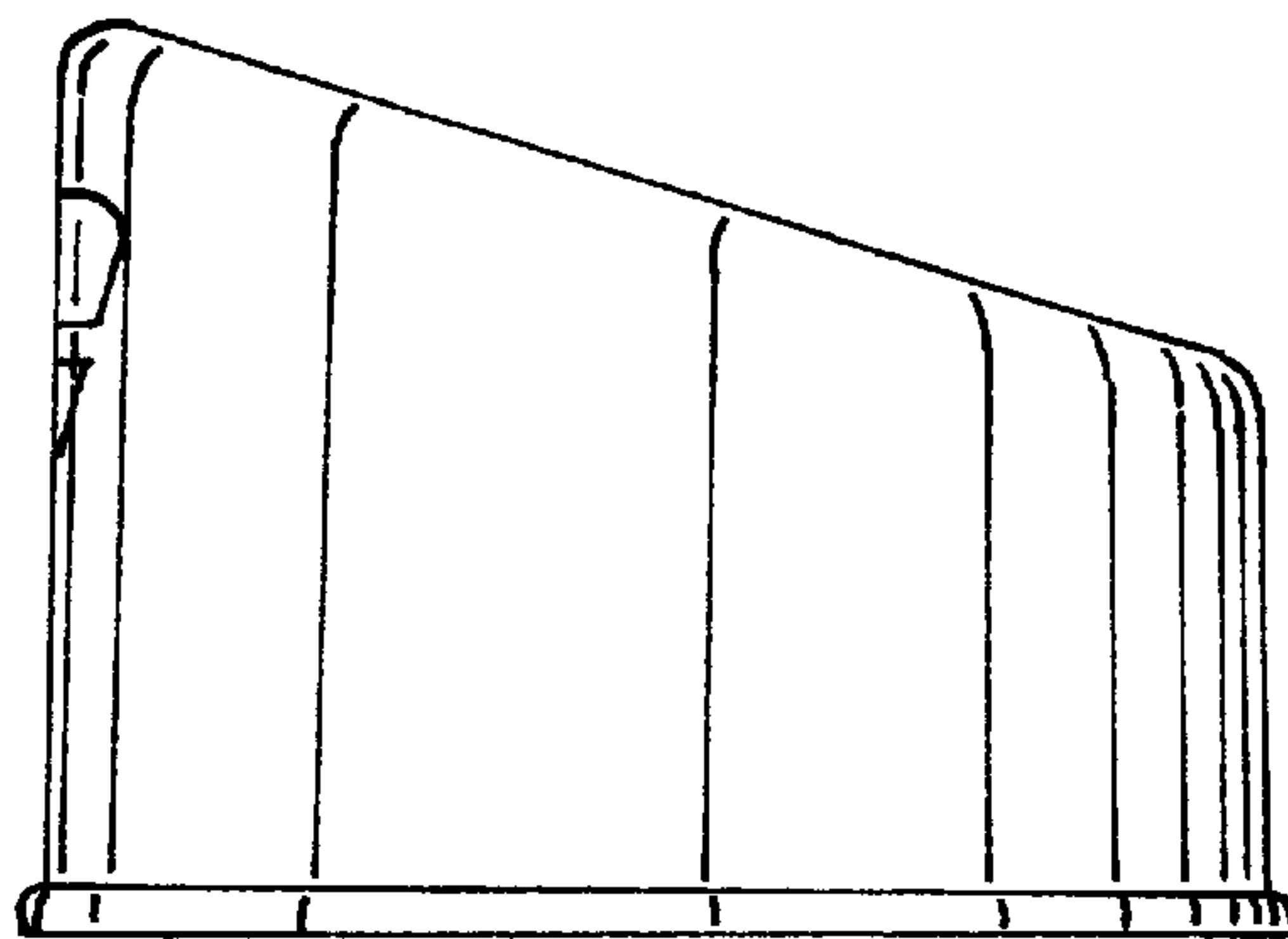


Fig. 4

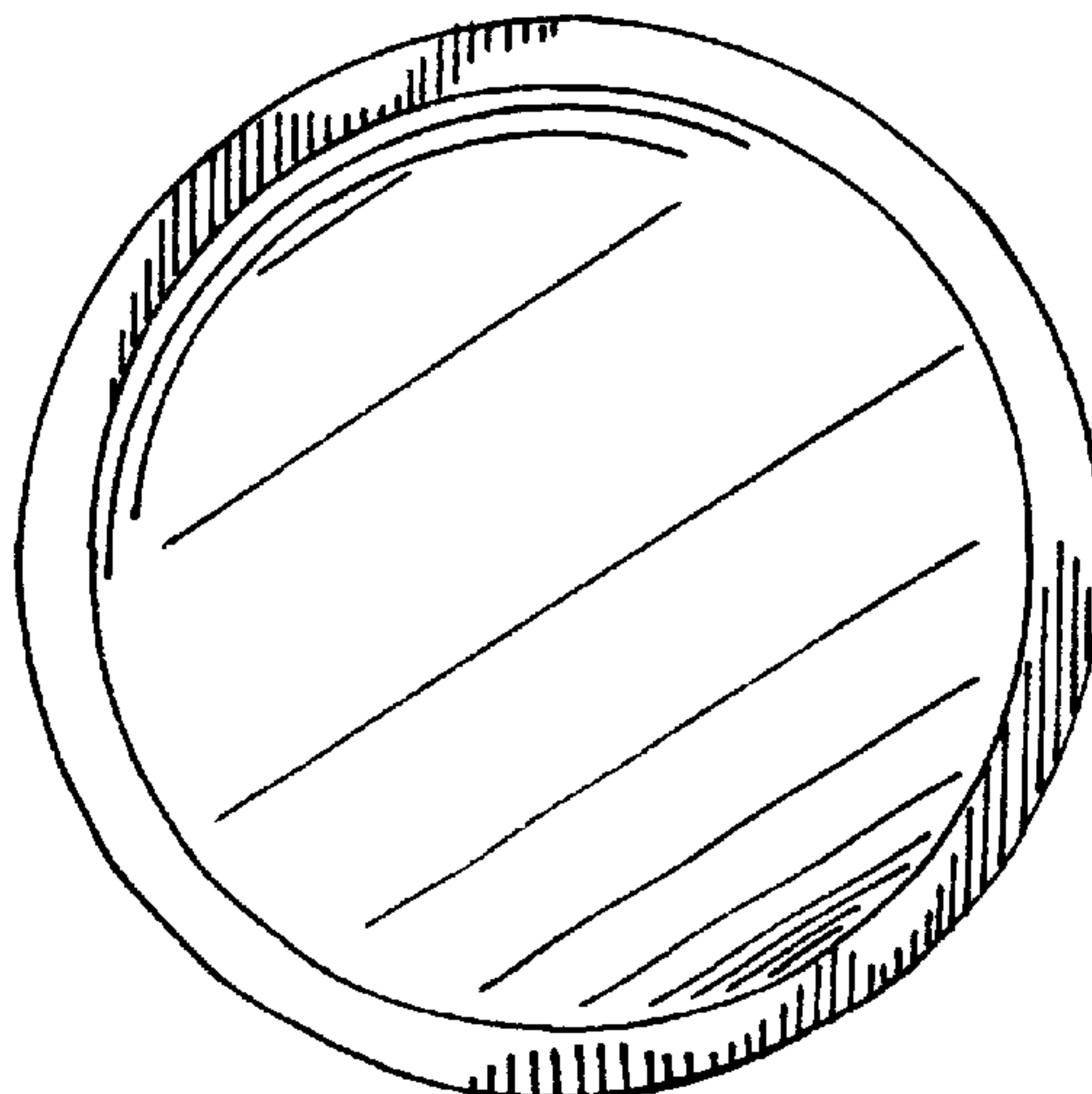


Fig. 5

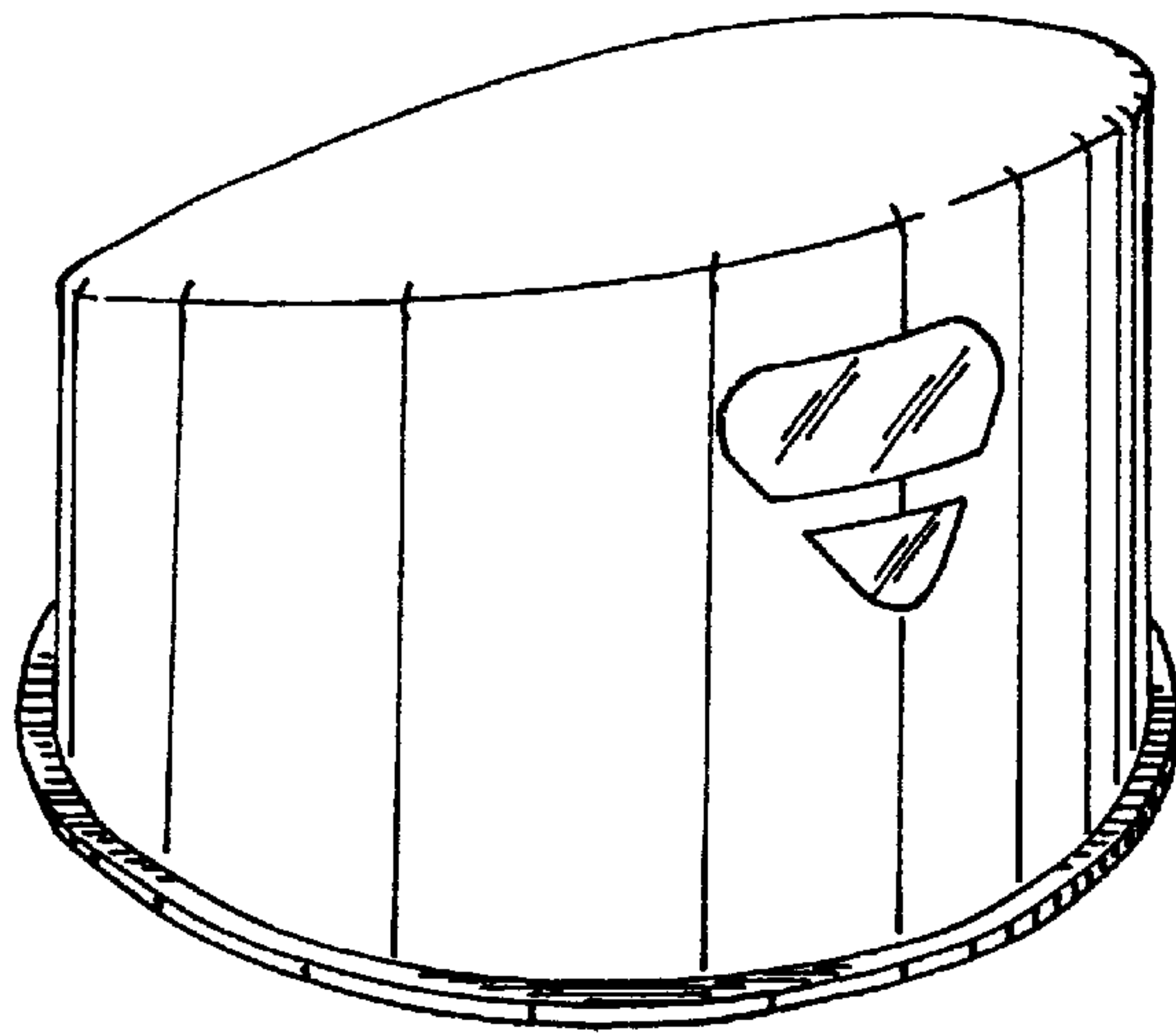


Fig 6

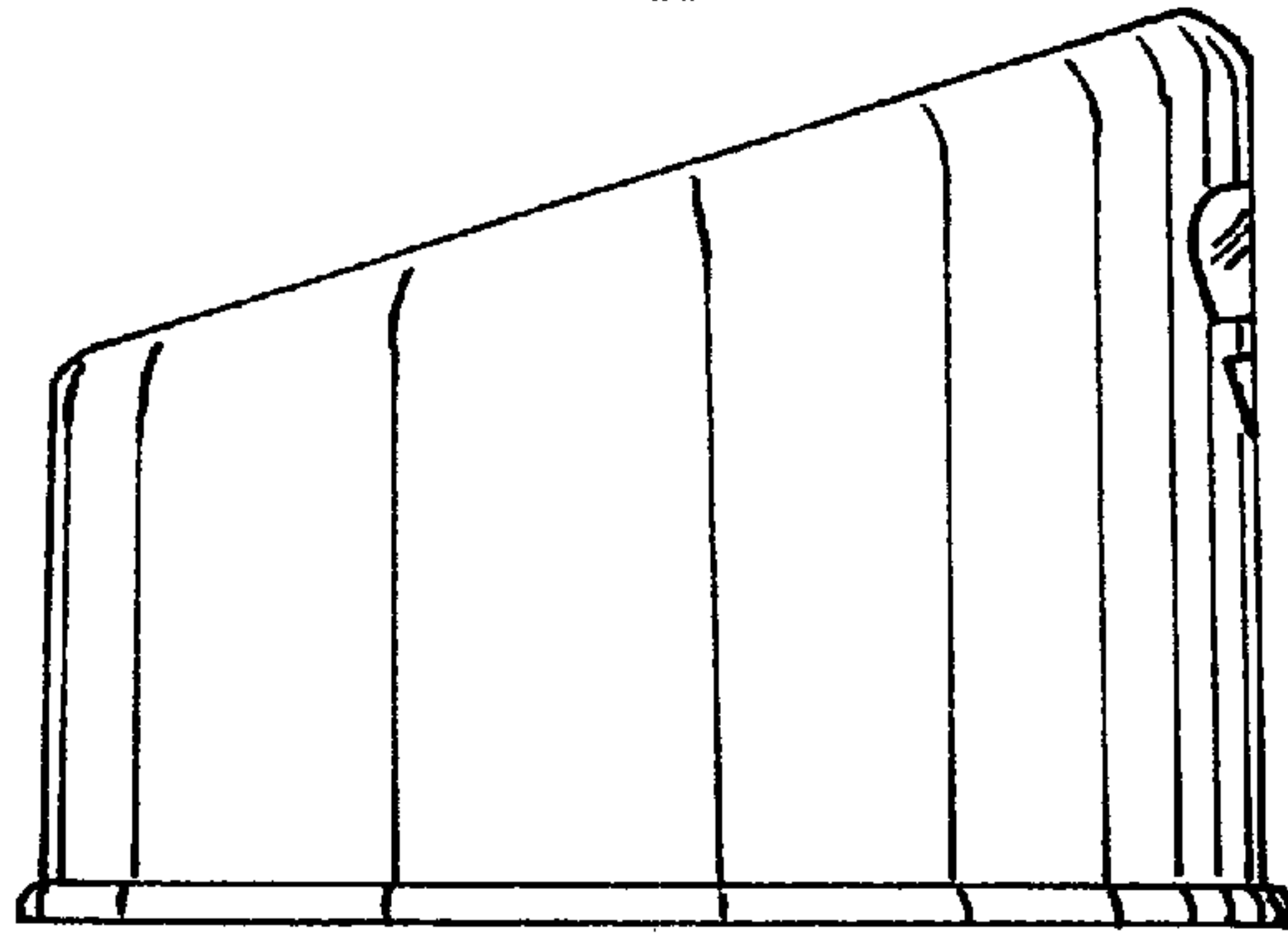


Fig. 7

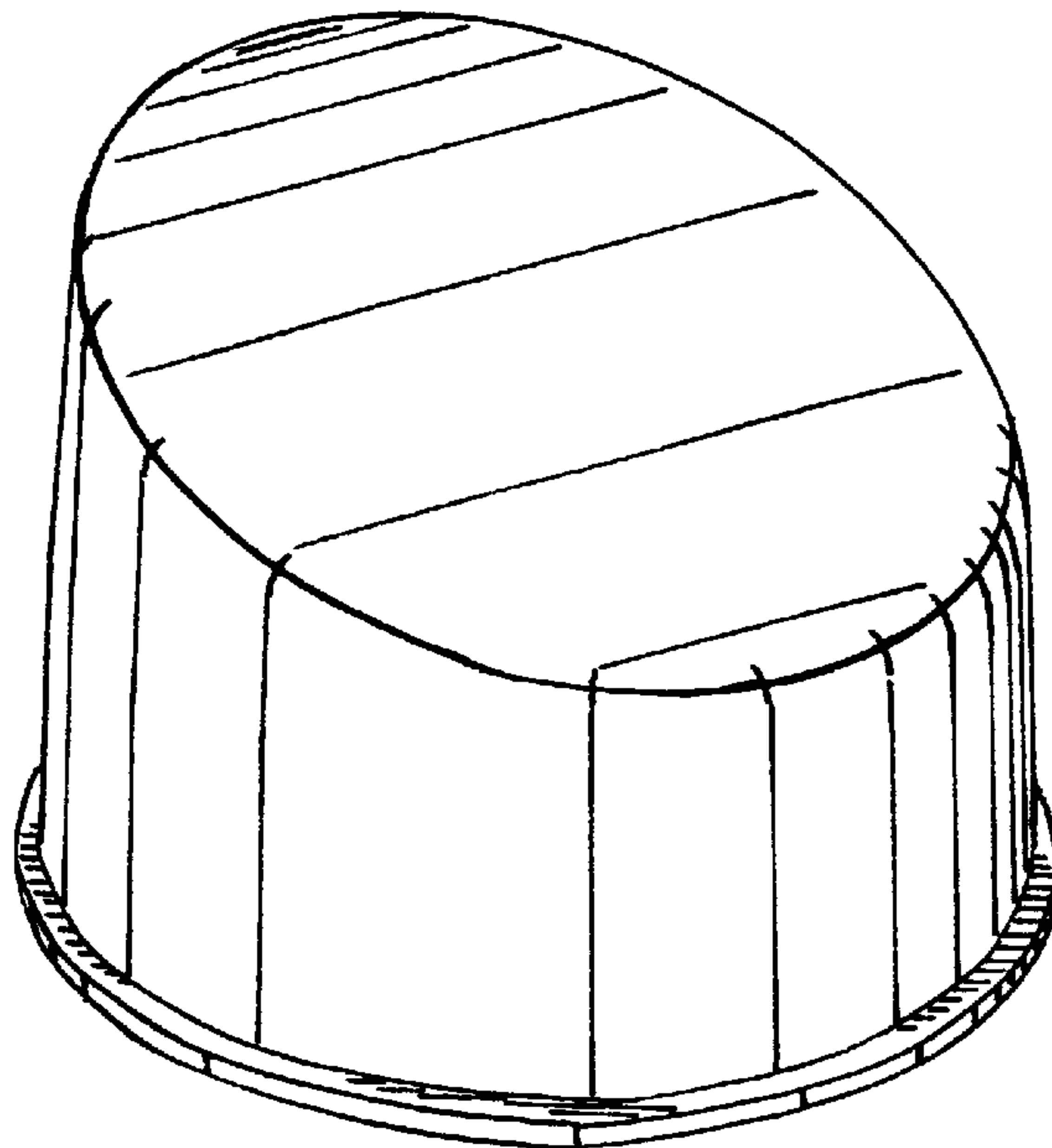


Fig. 8