



US00D470919S

(12) **United States Design Patent**
Friedrich

(10) **Patent No.:** **US D470,919 S**

(45) **Date of Patent:** **** Feb. 25, 2003**

(54) **FAUCET BODY**

(75) **Inventor:** **Philip F. Friedrich**, Fullerton, CA (US)

(73) **Assignee:** **PFF and Associates**, Buena Park, CA (US)

(**) **Term:** **14 Years**

(21) **Appl. No.:** **29/163,214**

(22) **Filed:** **Jun. 28, 2002**

(51) **LOC (7) Cl.** **23-01**

(52) **U.S. Cl.** **D23/241**

(58) **Field of Search** **D23/238-243, D23/250-257; 4/675-678; 137/801**

(56) **References Cited**

U.S. PATENT DOCUMENTS

D31,824 S	*	11/1899	Jones	D23/238
D50,631 S	*	4/1917	Reid, Jr.	D23/238
D50,868 S	*	6/1917	Barr	D23/239
D65,364 S	*	8/1924	Bickley	D23/240
D342,119 S	*	12/1993	Shieh	D23/241
D463,013 S	*	9/2002	Green et al.	D23/255

* cited by examiner

Primary Examiner—Louis S. Zarfaz

Assistant Examiner—Gregory Andoll

(74) *Attorney, Agent, or Firm*—Stetina Brunda Garred & Brucker

(57) **CLAIM**

The ornamental design for a faucet body, as shown and described.

DESCRIPTION

FIG. 1 is a top plan view of the faucet body of the present invention showing my new design with the phantom lines depicting environmental structure and forming no part of the claimed design;

FIG. 2 is a left side elevational view thereof with the phantom lines depicting environmental structure and forming no part of the claimed design;

FIG. 3 is a front elevational view thereof;

FIG. 4 is a bottom plan view thereof;

FIG. 5 is a right side elevational view thereof; and,

FIG. 6 is a rear elevational view thereof.

1 Claim, 2 Drawing Sheets

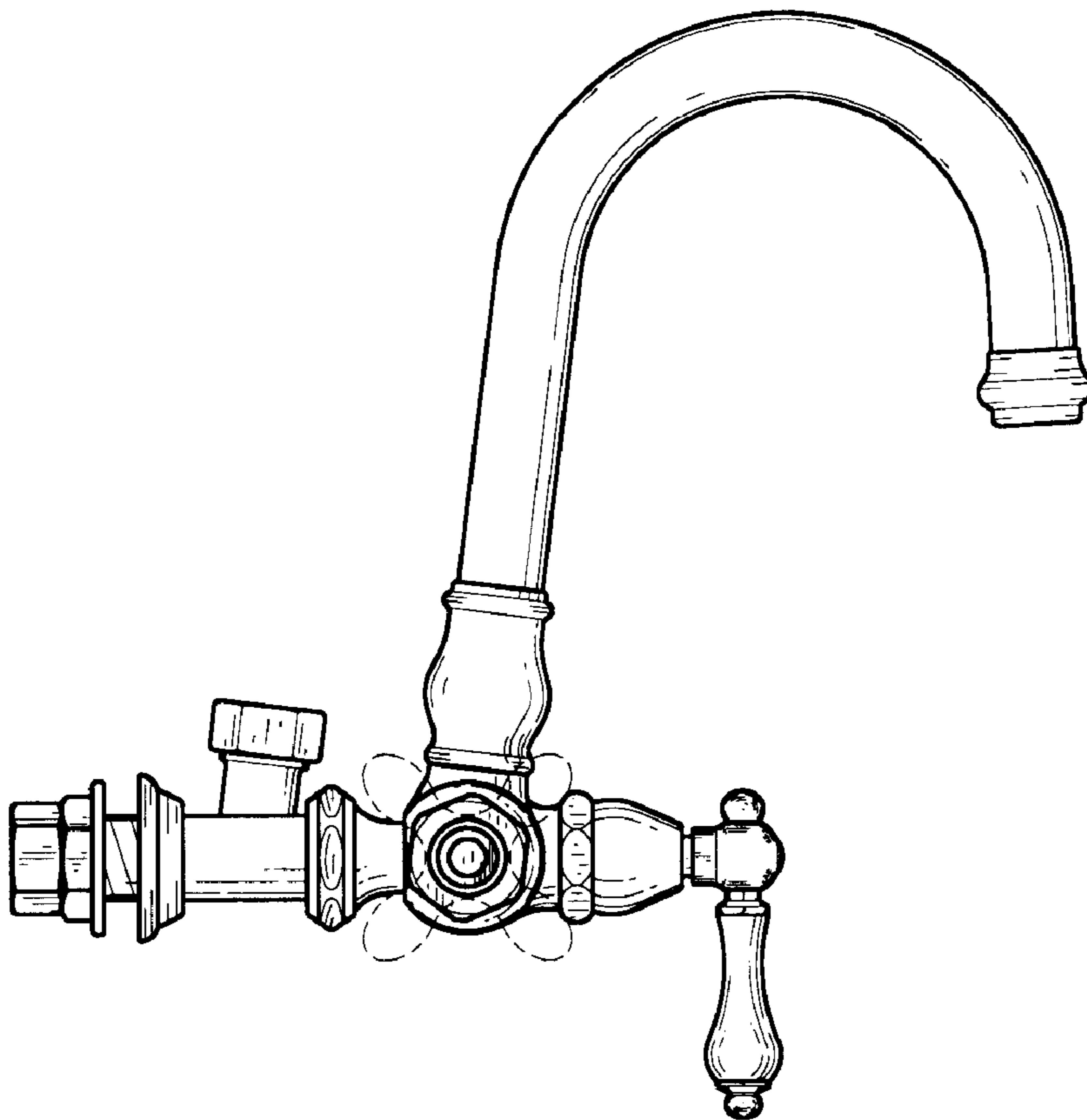


Fig. 1

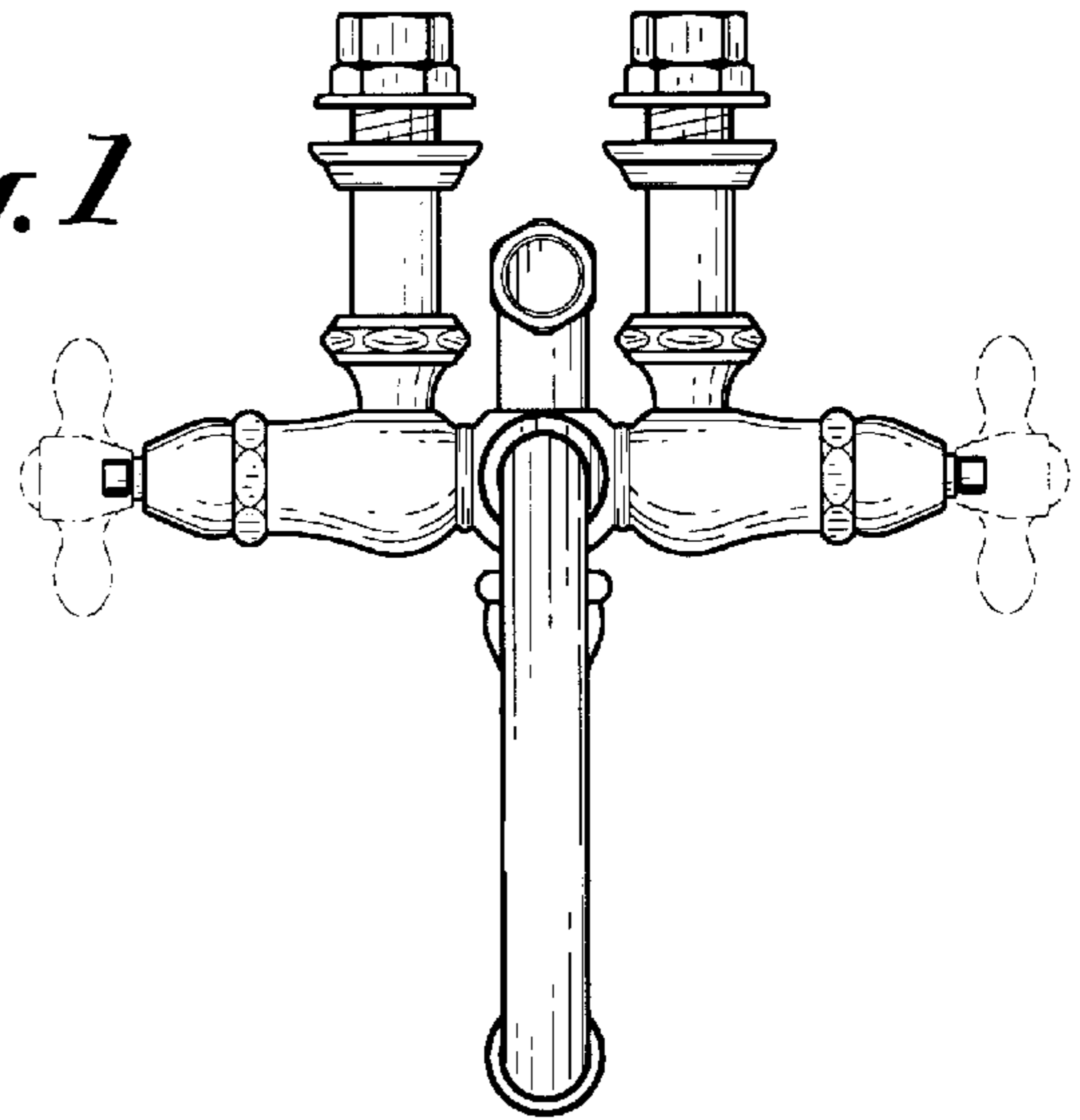


Fig. 2

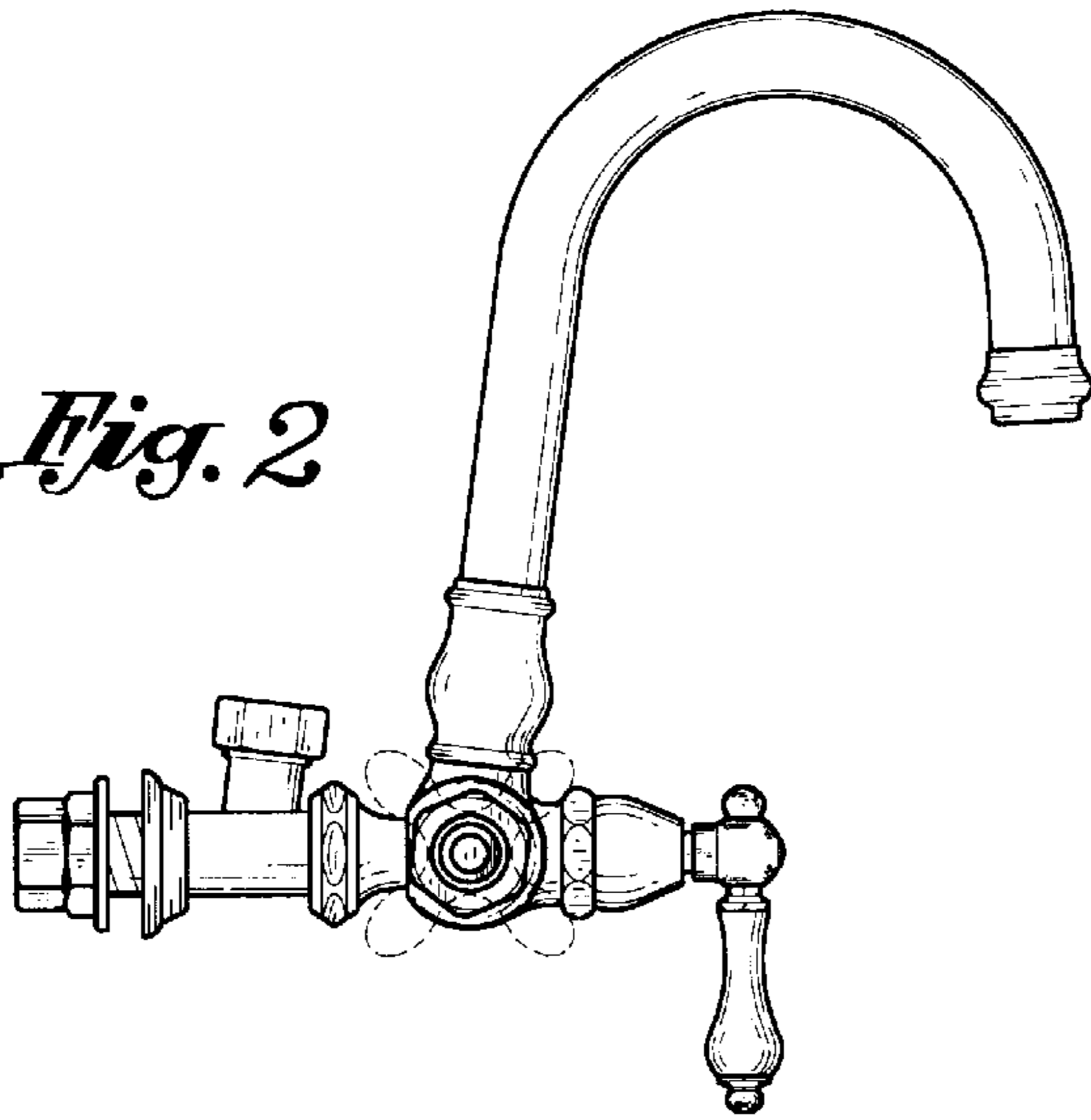


Fig. 3

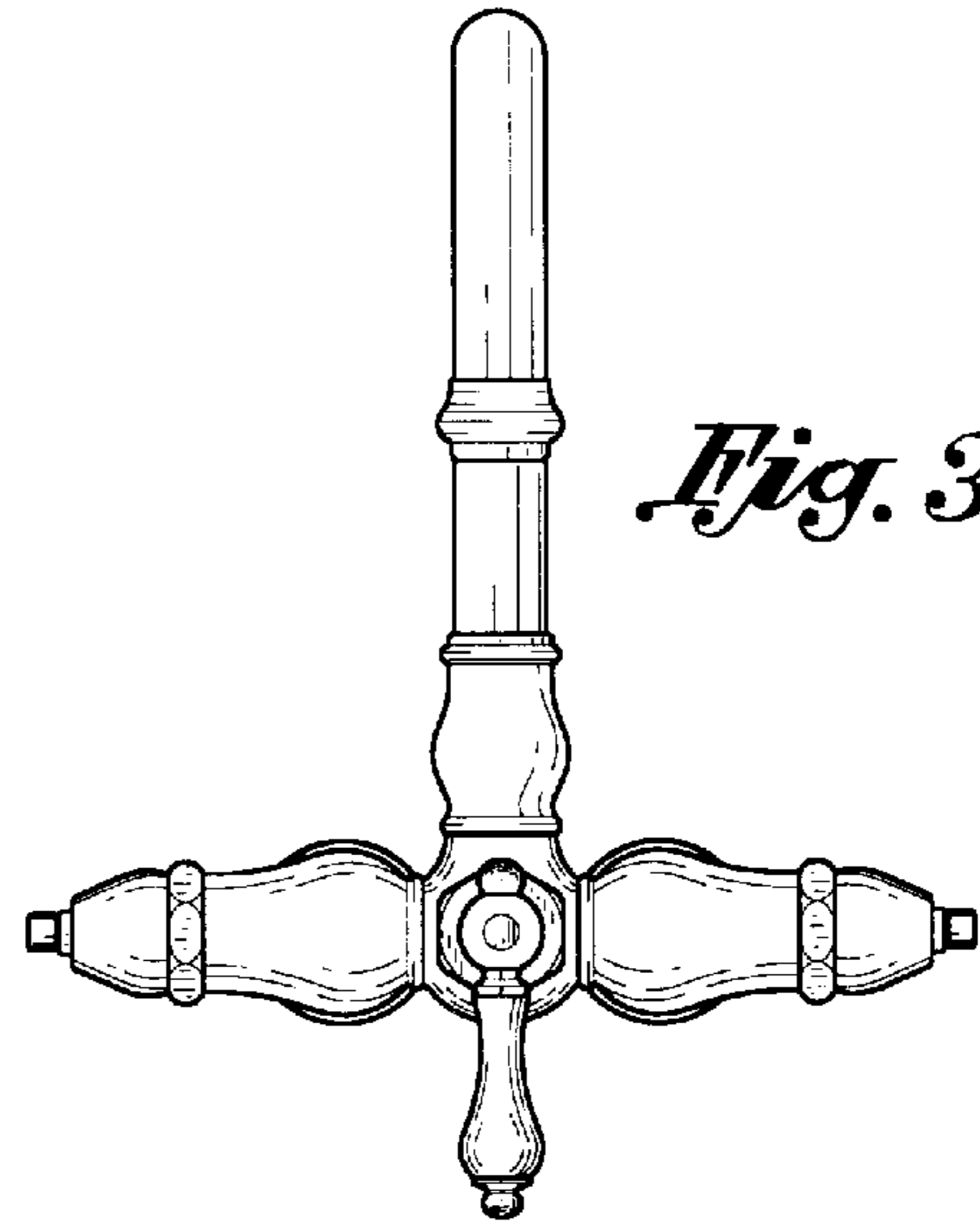
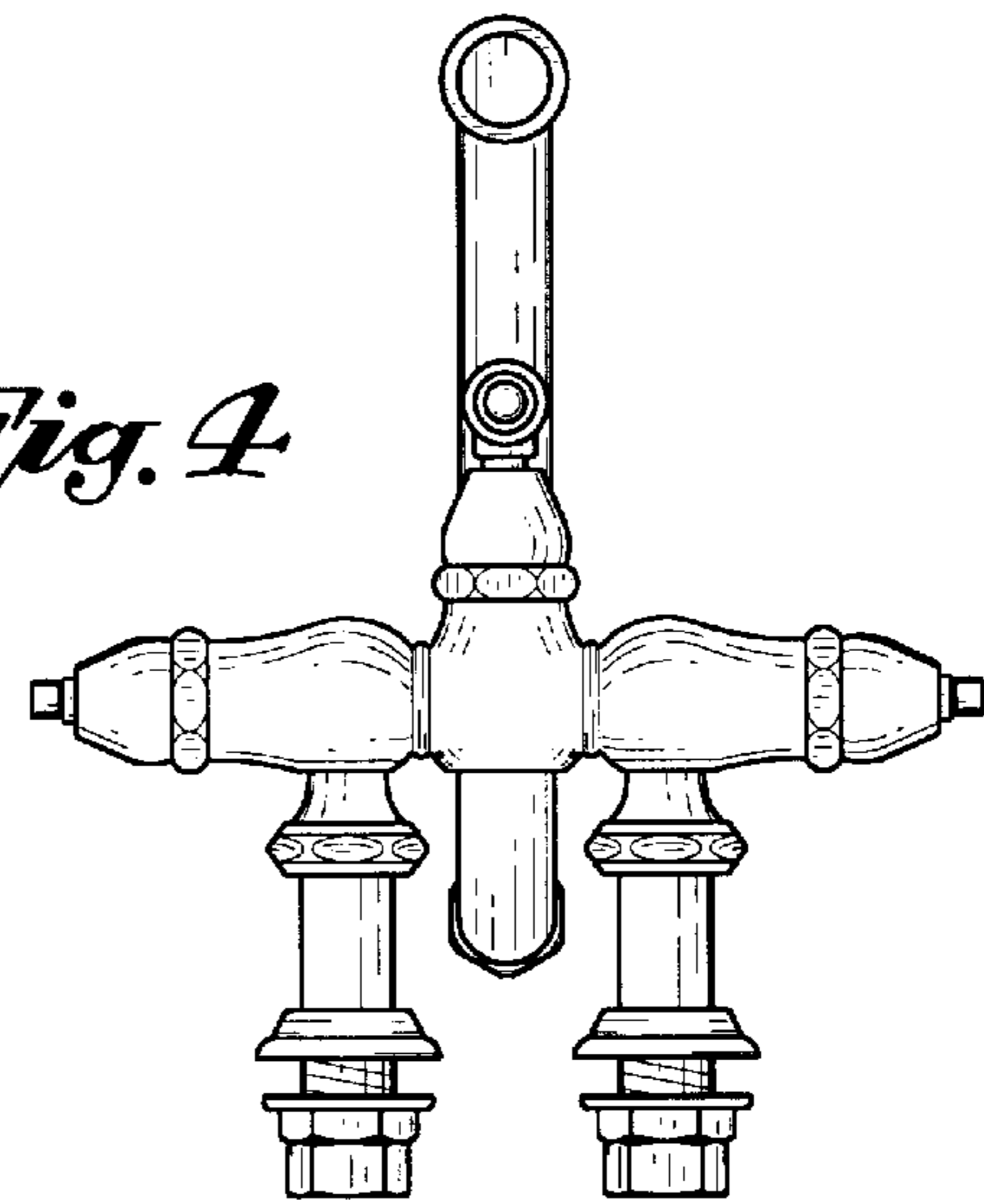


Fig. 4



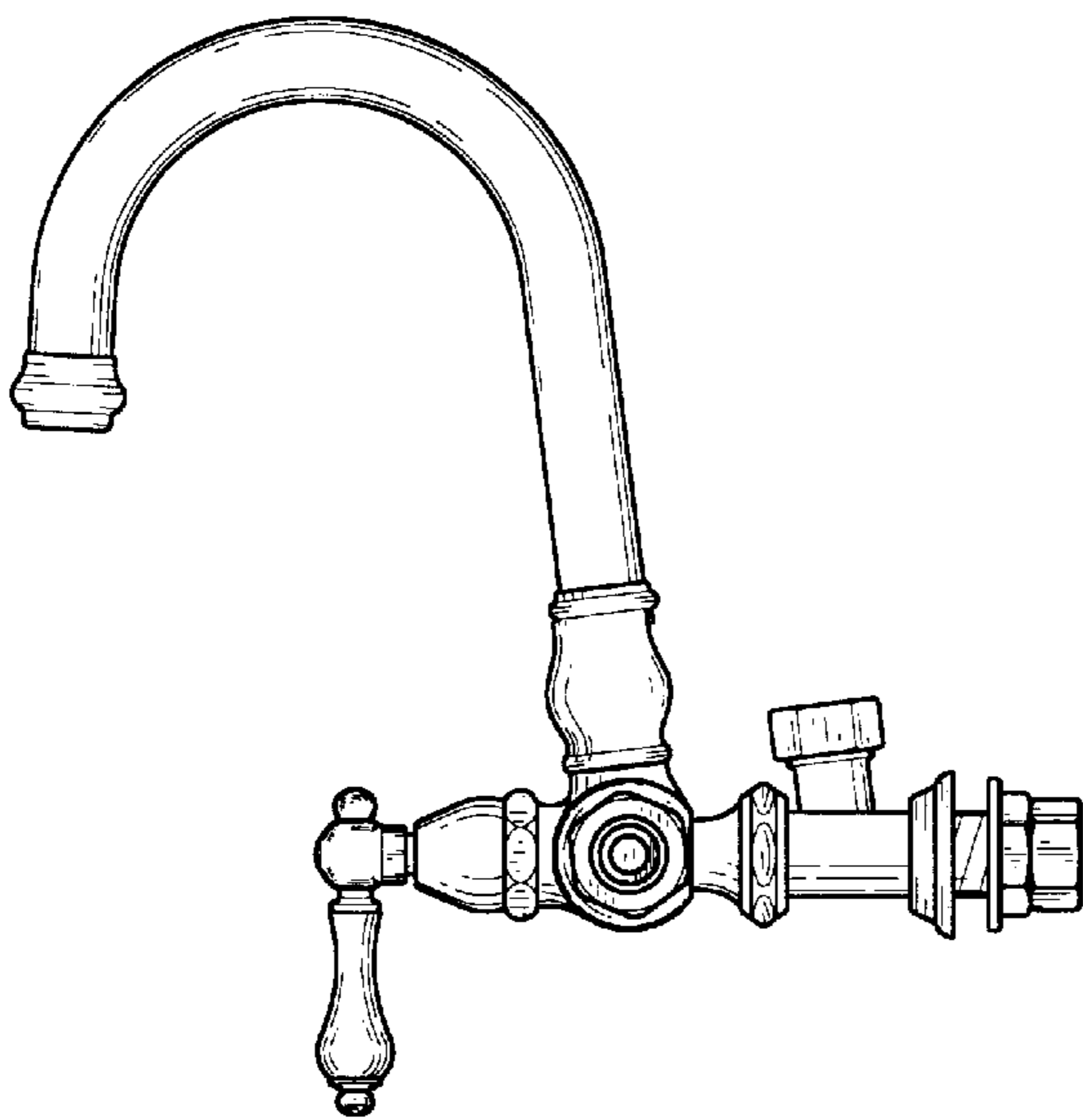


Fig. 5

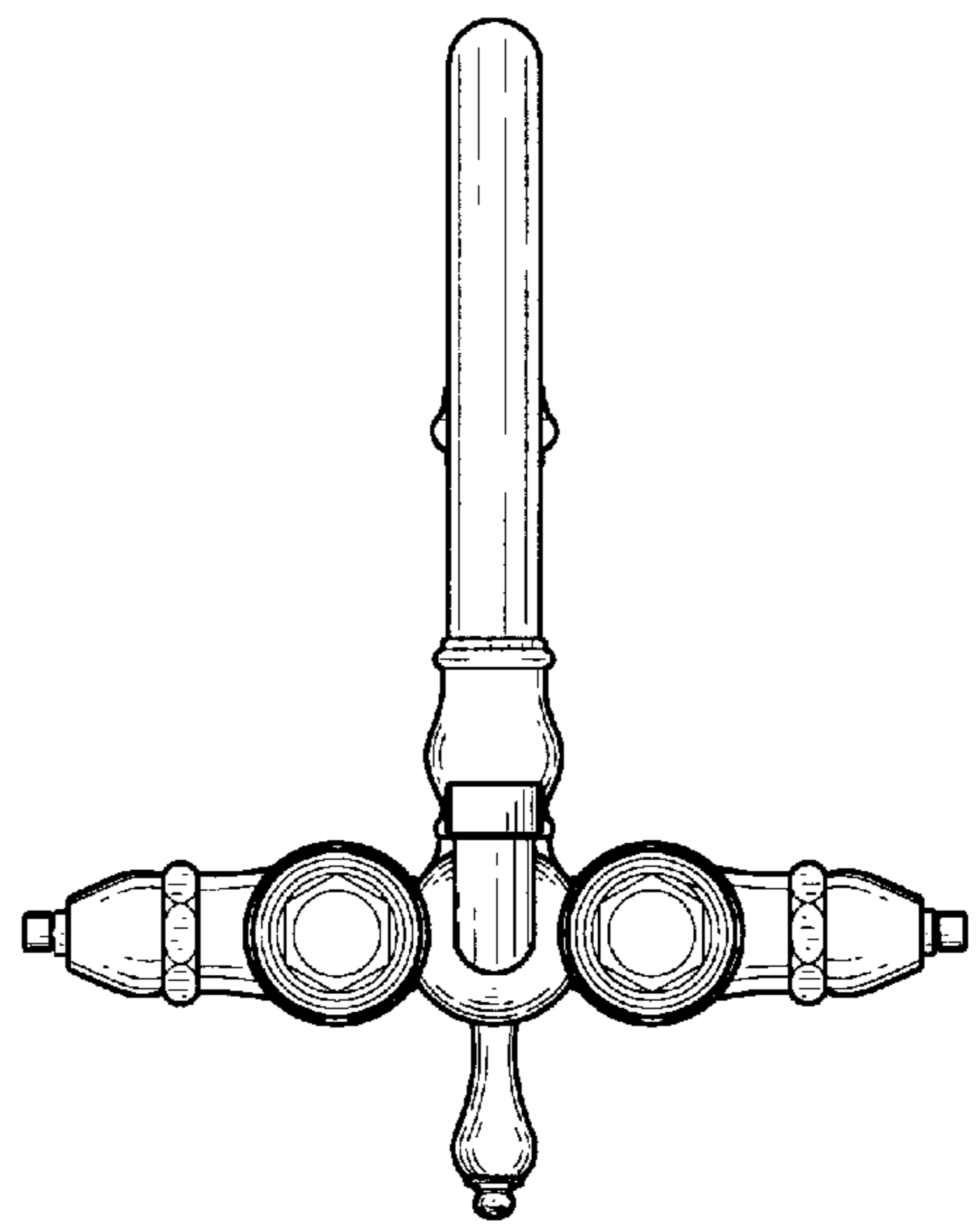


Fig. 6