



US00D470918S

(12) **United States Design Patent**  
**Friedrich**

(10) **Patent No.:** **US D470,918 S**

(45) **Date of Patent:** **\*\* Feb. 25, 2003**

(54) **FAUCET BODY**

(75) Inventor: **Philip F. Friedrich**, Fullerton, CA (US)

(73) Assignee: **PFF and Associates**, Buena Park, CA (US)

(\*\*) Term: **14 Years**

(21) Appl. No.: **29/163,208**

(22) Filed: **Jun. 28, 2002**

(51) **LOC (7) Cl.** ..... **23-01**

(52) **U.S. Cl.** ..... **D23/241**

(58) **Field of Search** ..... D23/238-243,  
D23/250-257; 4/675-678; 137/801

(56) **References Cited**

**U.S. PATENT DOCUMENTS**

D25,458 S	*	5/1896	Mackin	.....	D23/238
D29,025 S	*	7/1898	Giese	.....	D23/238
D29,705 S	*	11/1898	Buick	.....	D23/240
D31,824 S	*	11/1899	Jones	.....	D23/238
D291,114 S	*	7/1987	Piesco	.....	D23/239
D342,119 S	*	12/1993	Shieh	.....	D23/241
D390,920 S	*	2/1998	Lobermeier	.....	D23/238

\* cited by examiner

*Primary Examiner*—Louis S. Zarfes

*Assistant Examiner*—Gregory Andoll

(74) *Attorney, Agent, or Firm*—Stetina Brunda Garred & Brucker

(57) **CLAIM**

The ornamental design for a faucet body, as shown and described.

**DESCRIPTION**

FIG. 1 is a top plan view of the faucet body of the present invention showing my new design with the phantom lines depicting environmental structure and forming no part of the claimed design;

FIG. 2 is a left side elevational view thereof;

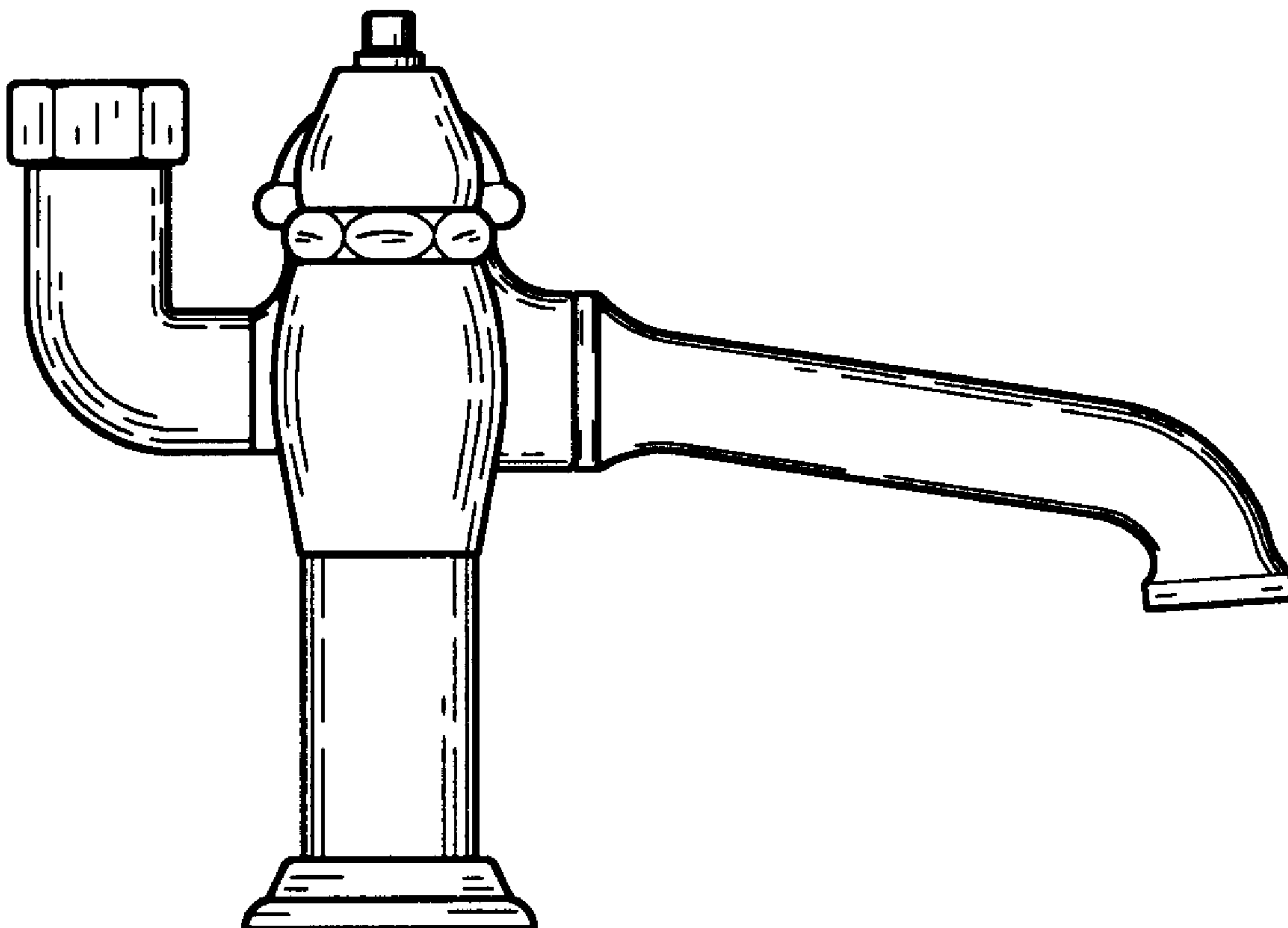
FIG. 3 is a front elevational view thereof with the phantom lines depicting environmental structure and forming no part of the claimed design;

FIG. 4 is a bottom plan view thereof;

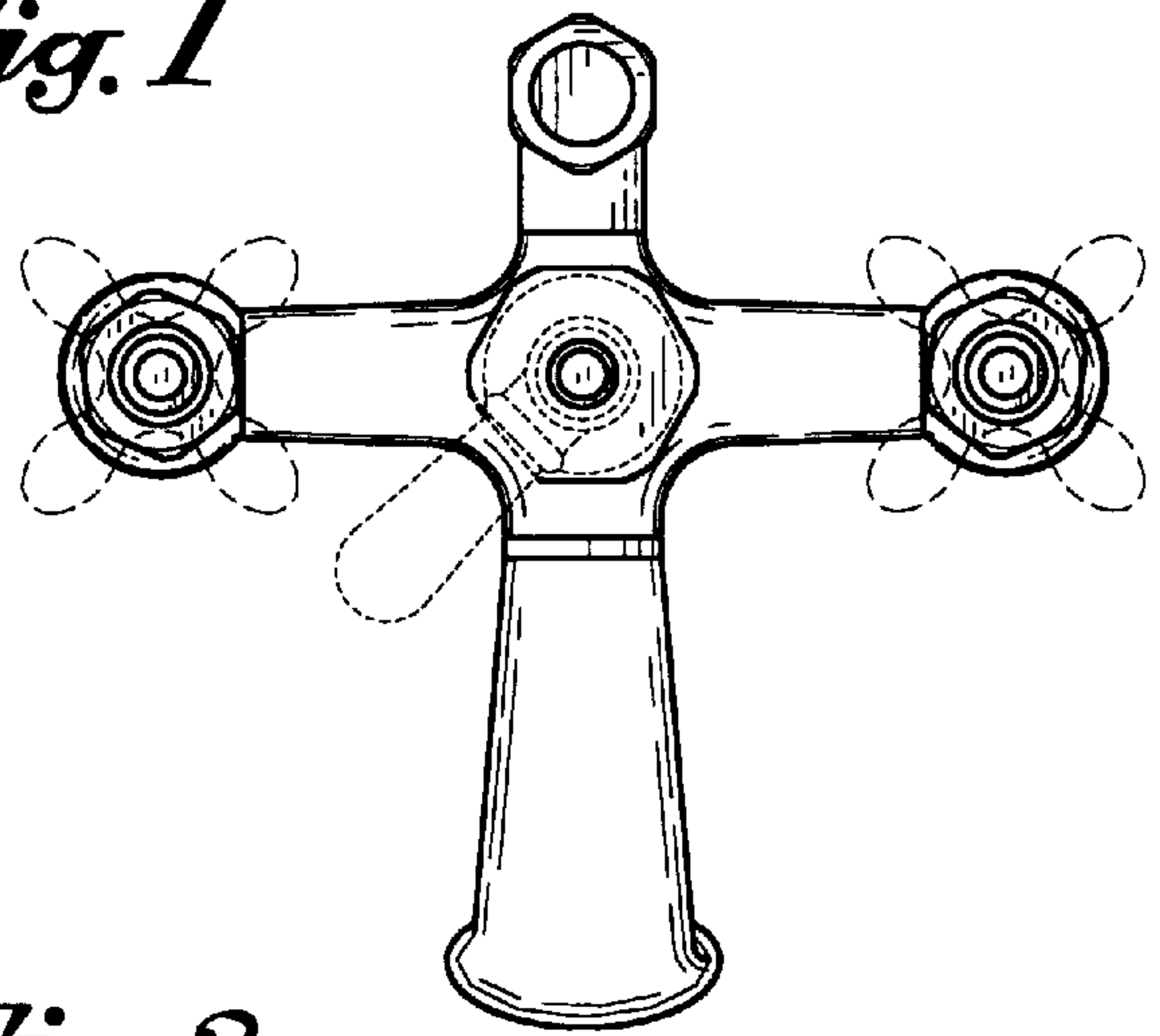
FIG. 5 is a right side elevational view thereof; and,

FIG. 6 is a rear elevational view thereof.

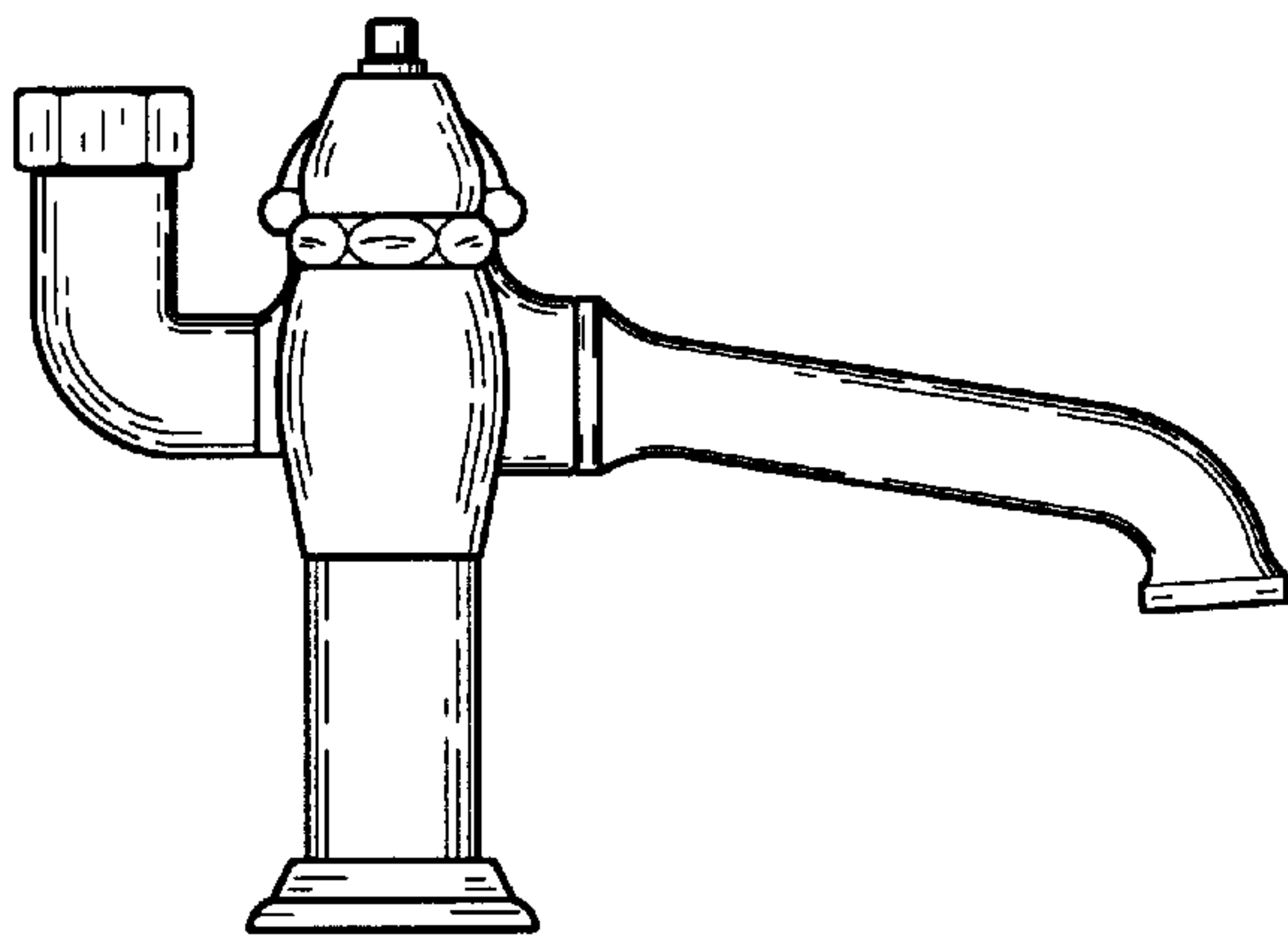
**1 Claim, 2 Drawing Sheets**



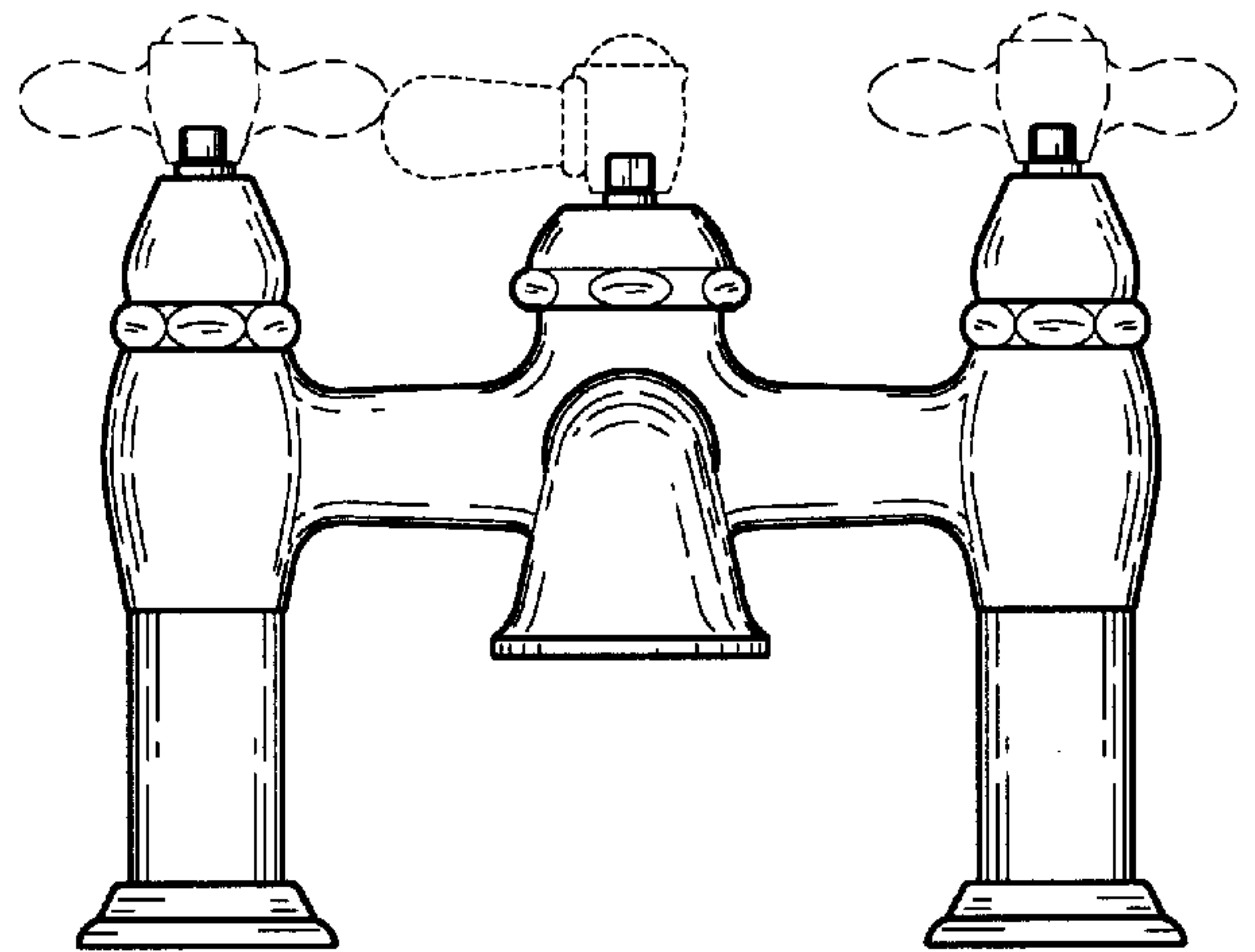
*Fig. 1*



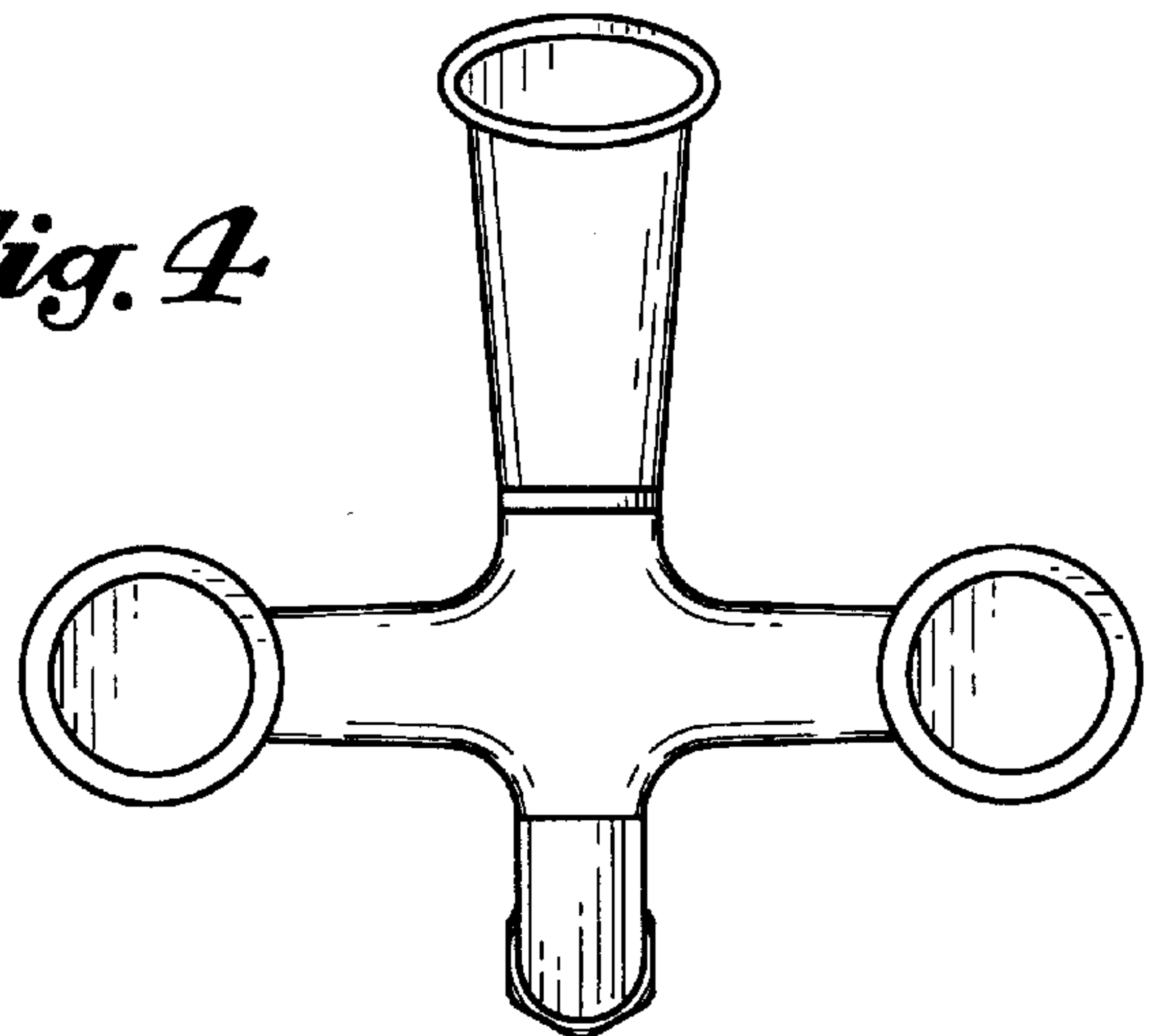
*Fig. 2*



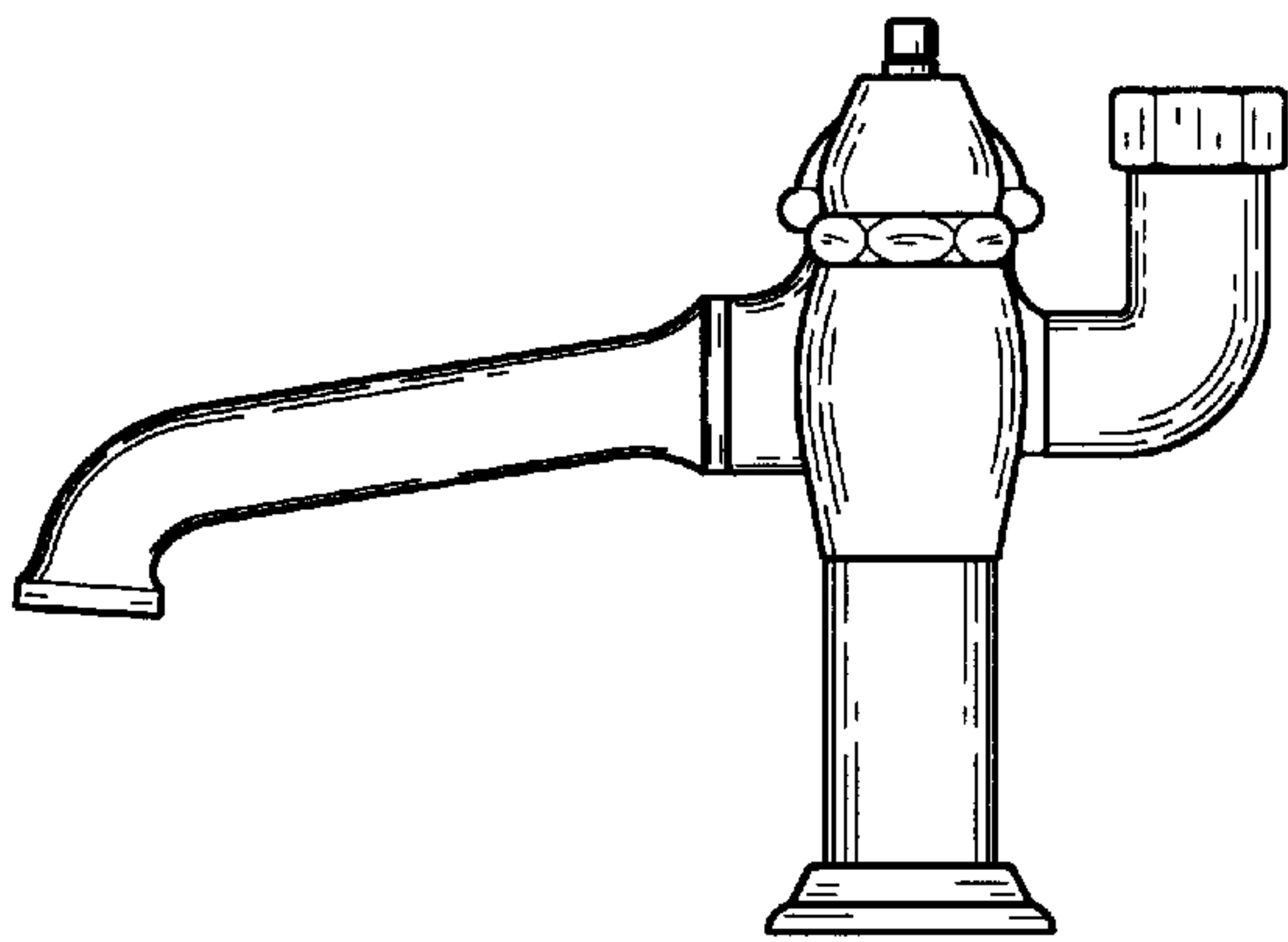
*Fig. 3*



*Fig. 4*



*Fig. 5*



*Fig. 6*

