



US00D470915S

(12) **United States Design Patent**
Ball

(10) **Patent No.:** **US D470,915 S**

(45) **Date of Patent:** **** Feb. 25, 2003**

(54) **WALL HYDRANT**

(75) **Inventor:** **William T. Ball**, Colorado Springs, CO (US)

(73) **Assignee:** **WCM Industries, Inc.**, Colorado Springs, CO (US)

(**) **Term:** **14 Years**

(21) **Appl. No.:** **29/159,377**

(22) **Filed:** **Apr. 19, 2002**

(51) **LOC (7) Cl.** **23-01**

(52) **U.S. Cl.** **D23/234**

(58) **Field of Search** D23/233-234,
D23/245; 137/286, 302, 359-360, 377,
382; 251/109, 291, 215, 295

(56) **References Cited**

U.S. PATENT DOCUMENTS

556,500	A	3/1896	Fox	
616,542	A	12/1898	Koehne	
695,147	A	3/1902	Denney	
1,310,521	A	7/1919	Crall	
1,774,307	A	8/1930	Willig	
3,283,093	A	* 11/1966	Bishop	137/360 X
D227,365	S	* 6/1973	Woodfield	D23/234
D227,366	S	* 6/1973	Woodfield	D23/234
D236,892	S	* 9/1975	Carlson	D23/234
D275,512	S	* 9/1984	Shaw	D23/260
4,946,434	A	8/1990	Plaisted et al.	
5,050,632	A	* 9/1991	Means, Jr.	137/360

5,653,254	A	* 8/1997	Condon et al.	137/360
5,690,141	A	11/1997	Creaghe	
5,964,246	A	* 10/1999	Meeker	137/360
6,247,491	B1	6/2001	Petryna	
2001/0003350	A1	6/2001	Gandy et al.	

* cited by examiner

Primary Examiner—Nelson C. Holtje

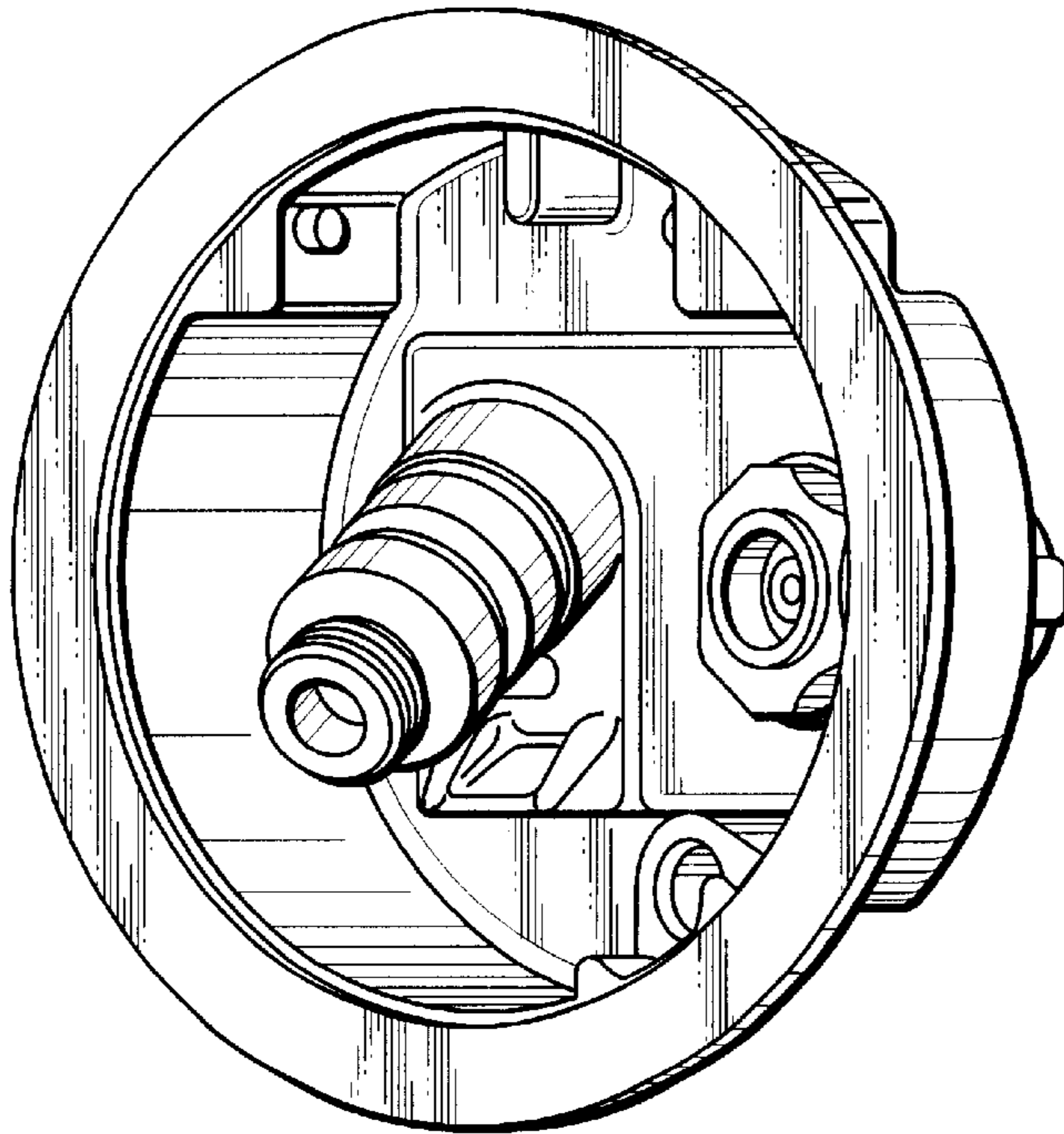
(57) **CLAIM**

I claim the new and ornamental design of a wall hydrant, as shown.

DESCRIPTION

FIG. 1 is a frontal perspective view of a wall hydrant showing my new design;
 FIG. 2 is a front elevational view thereof;
 FIG. 3 is a side elevational view thereof; as seen from the righthand side of FIG. 2;
 FIG. 4 is a side elevational view thereof opposite to FIG. 3;
 FIG. 5 is a top plan view thereof;
 FIG. 6 is a bottom plan view thereof;
 FIG. 7 is a perspective view of the wall hydrant with the cover removed;
 FIG. 8 is a front elevation view of FIG. 7;
 FIG. 9 is a side elevational view thereof; as seen from the righthand side of FIG. 8;
 FIG. 10 is a side elevational view thereof opposite to FIG. 9;
 FIG. 11 is a top plan view; and,
 FIG. 12 is a bottom plan view of FIG. 7.

1 Claim, 4 Drawing Sheets



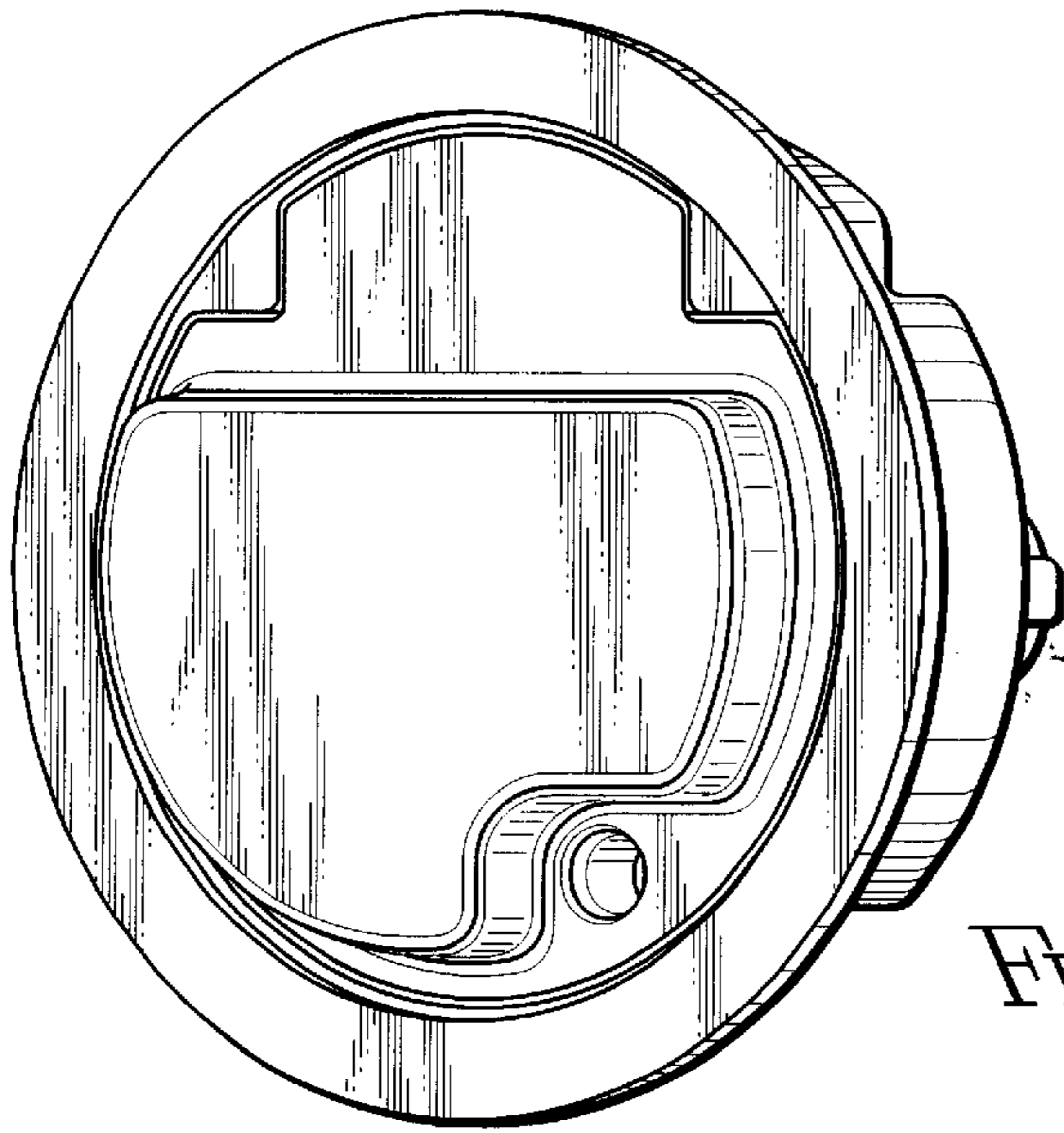


FIG. 1

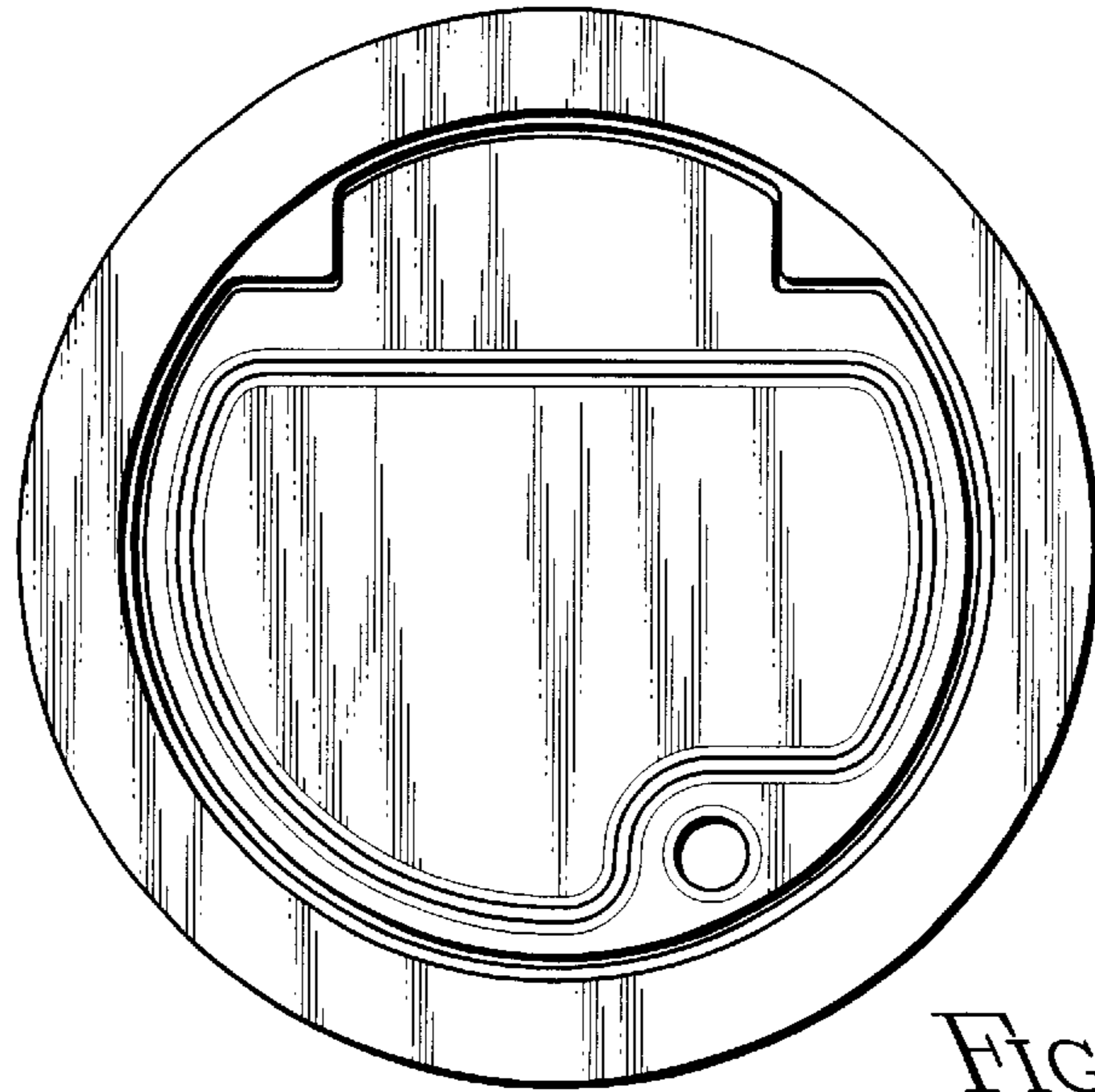


FIG. 2

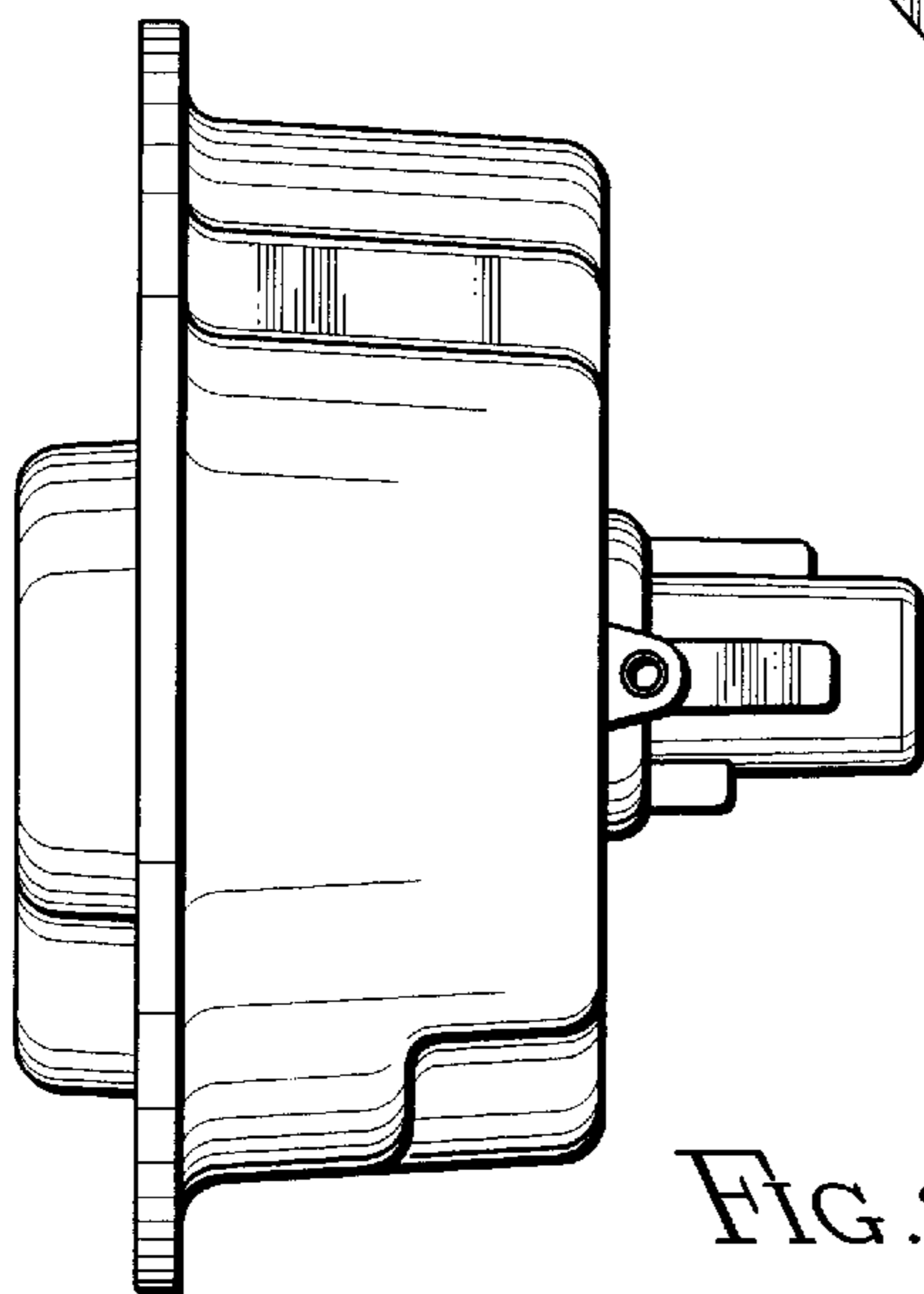


FIG. 3

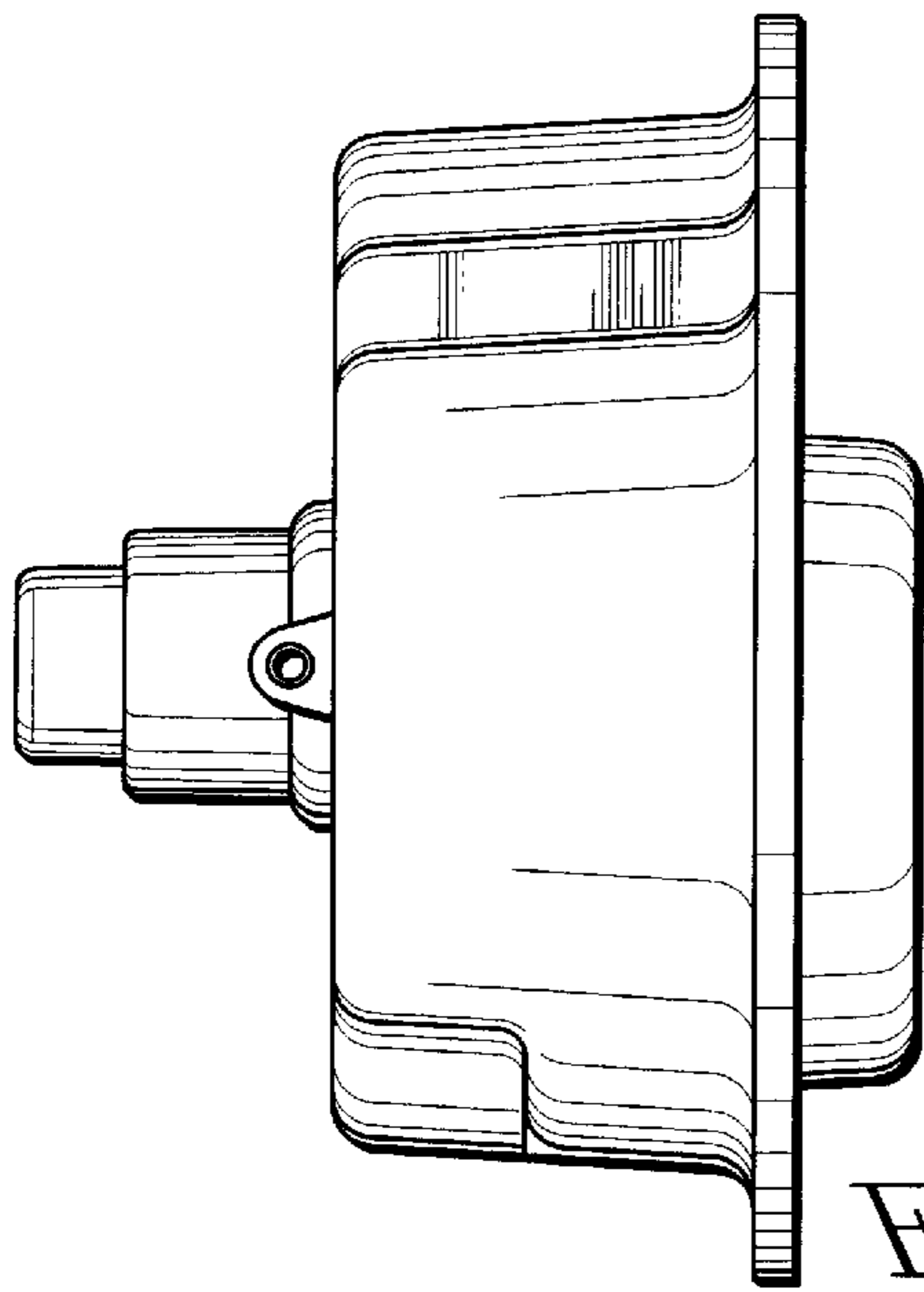


FIG. 4

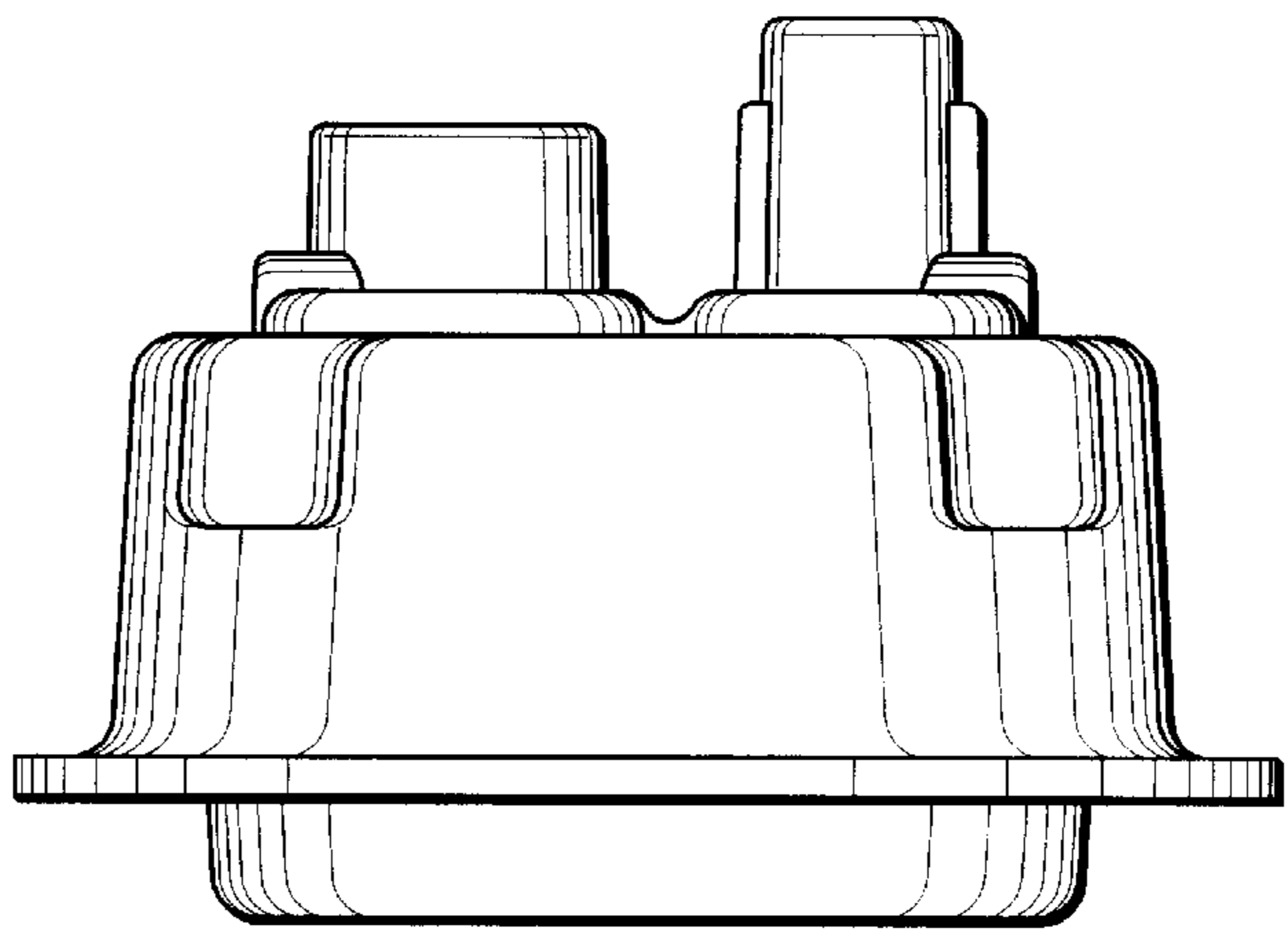


FIG. 5

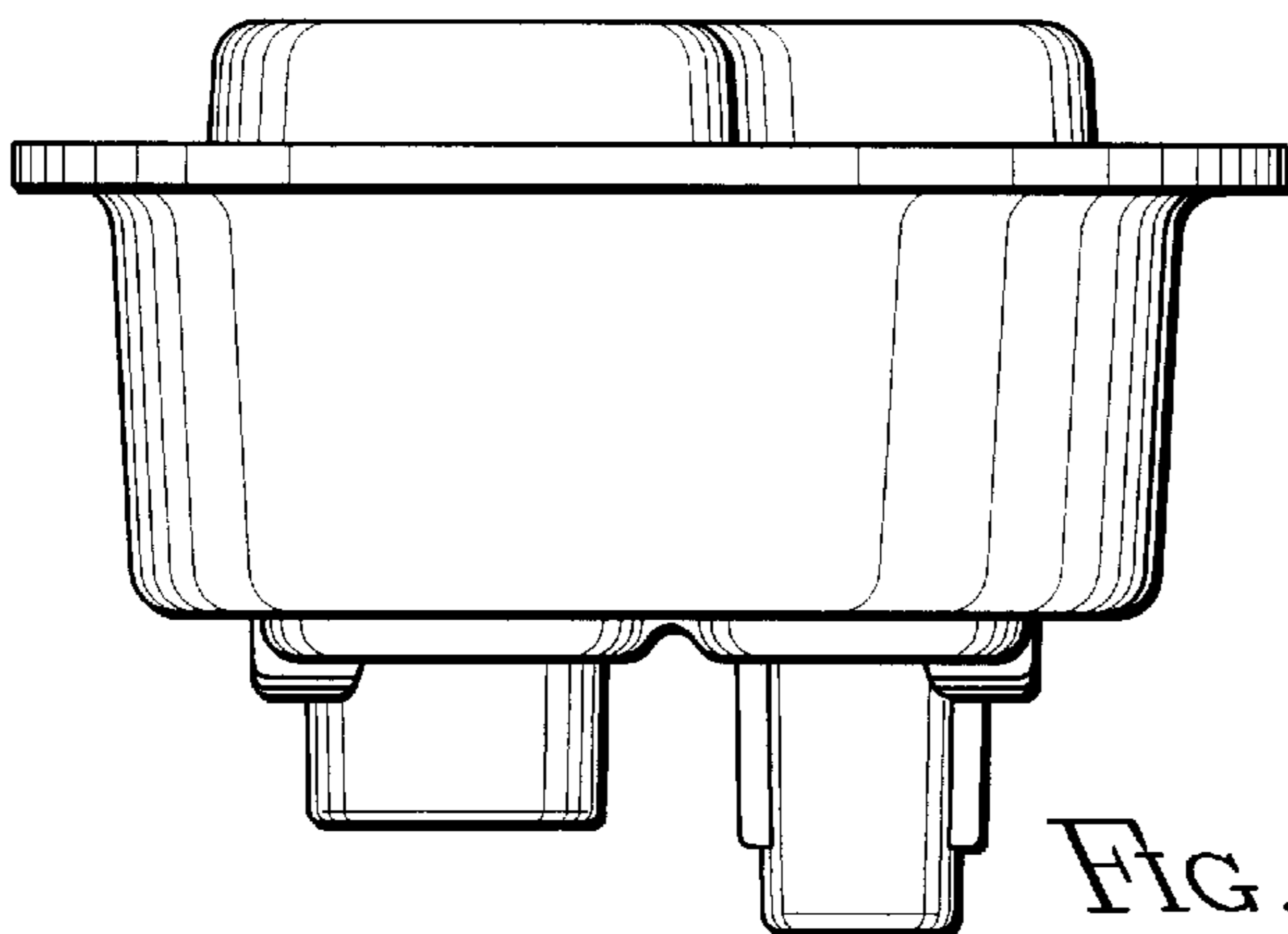


FIG. 6

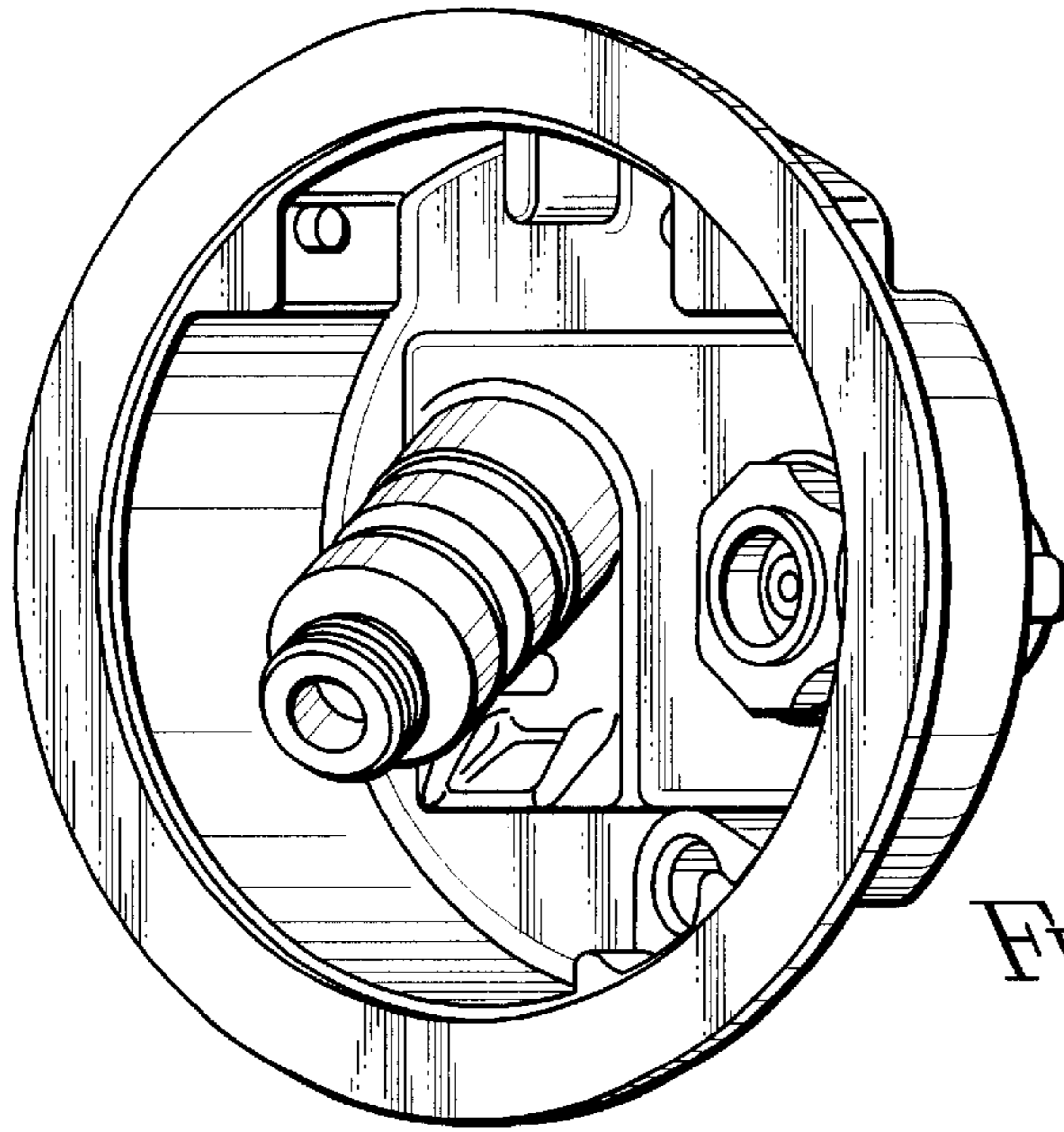


FIG. 7

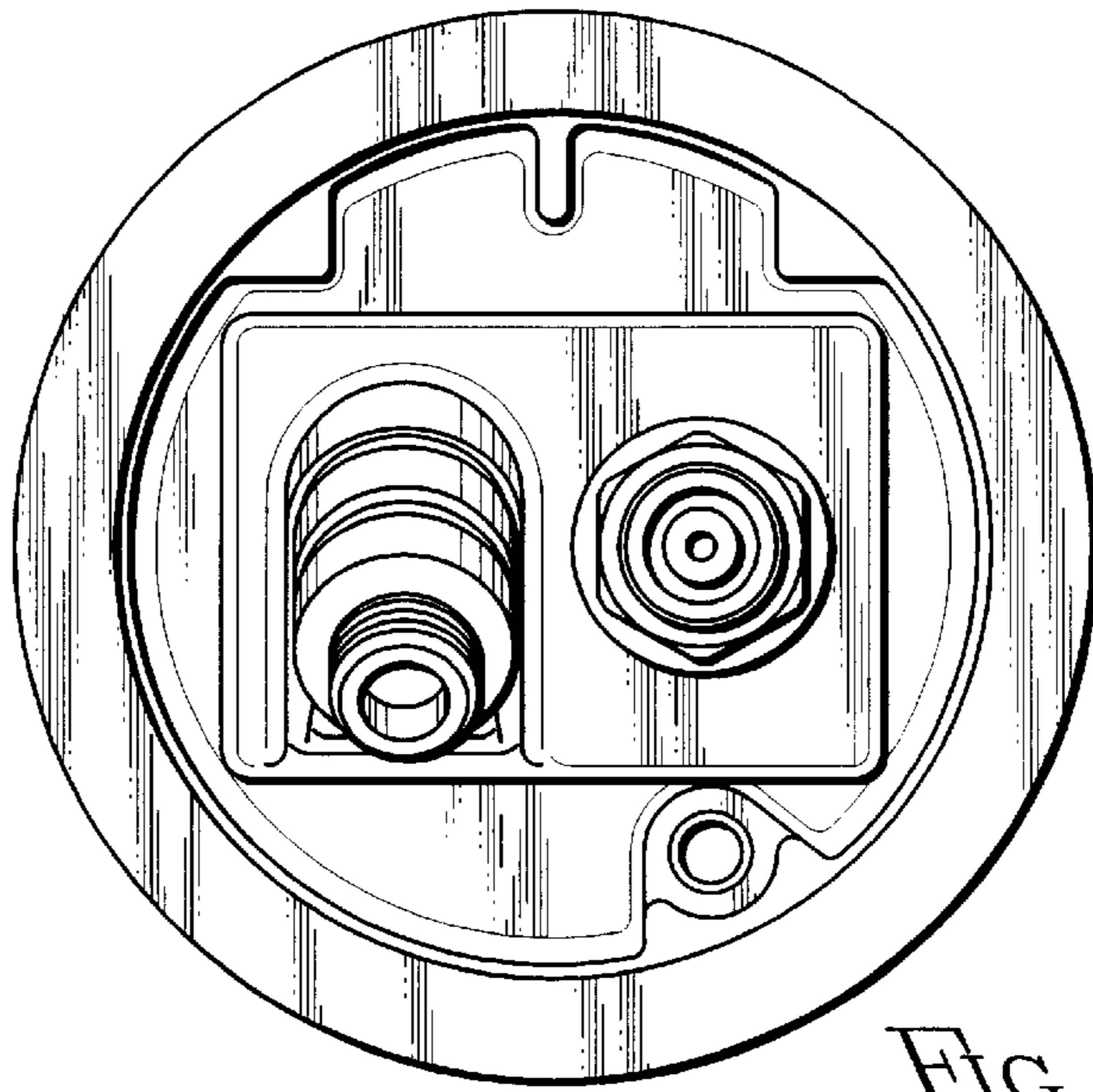


FIG. 8

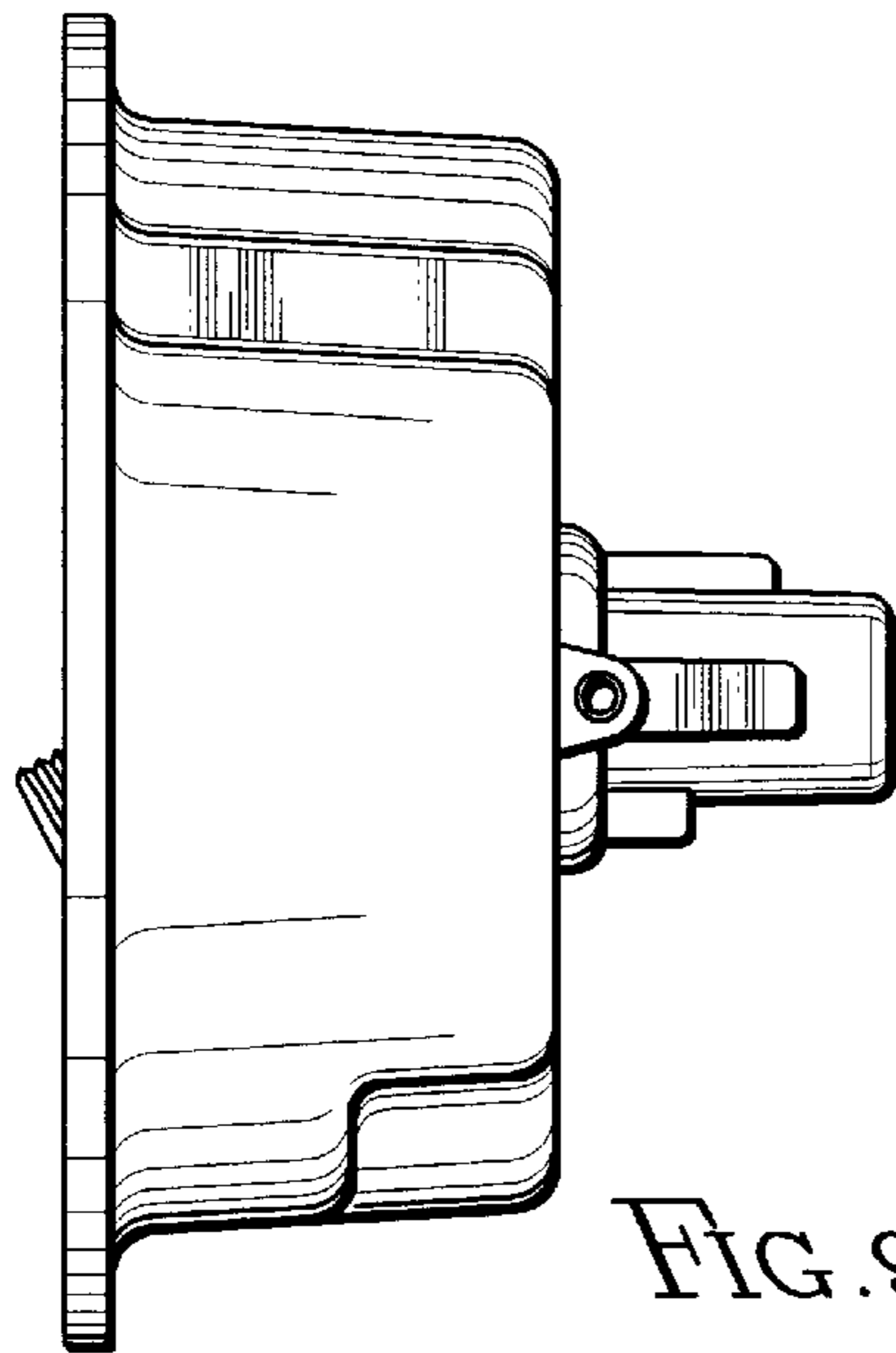


FIG. 9

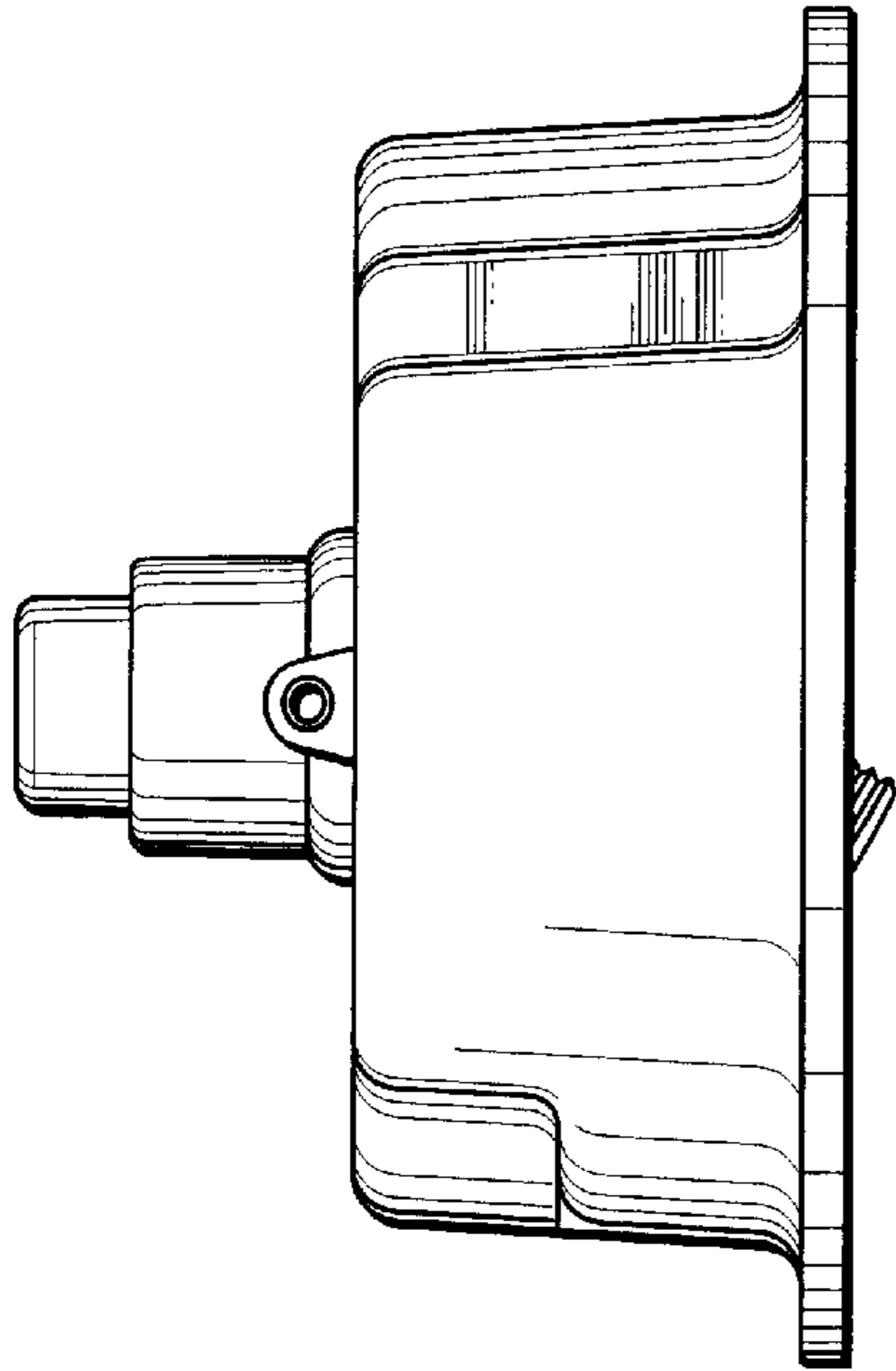


FIG. 10

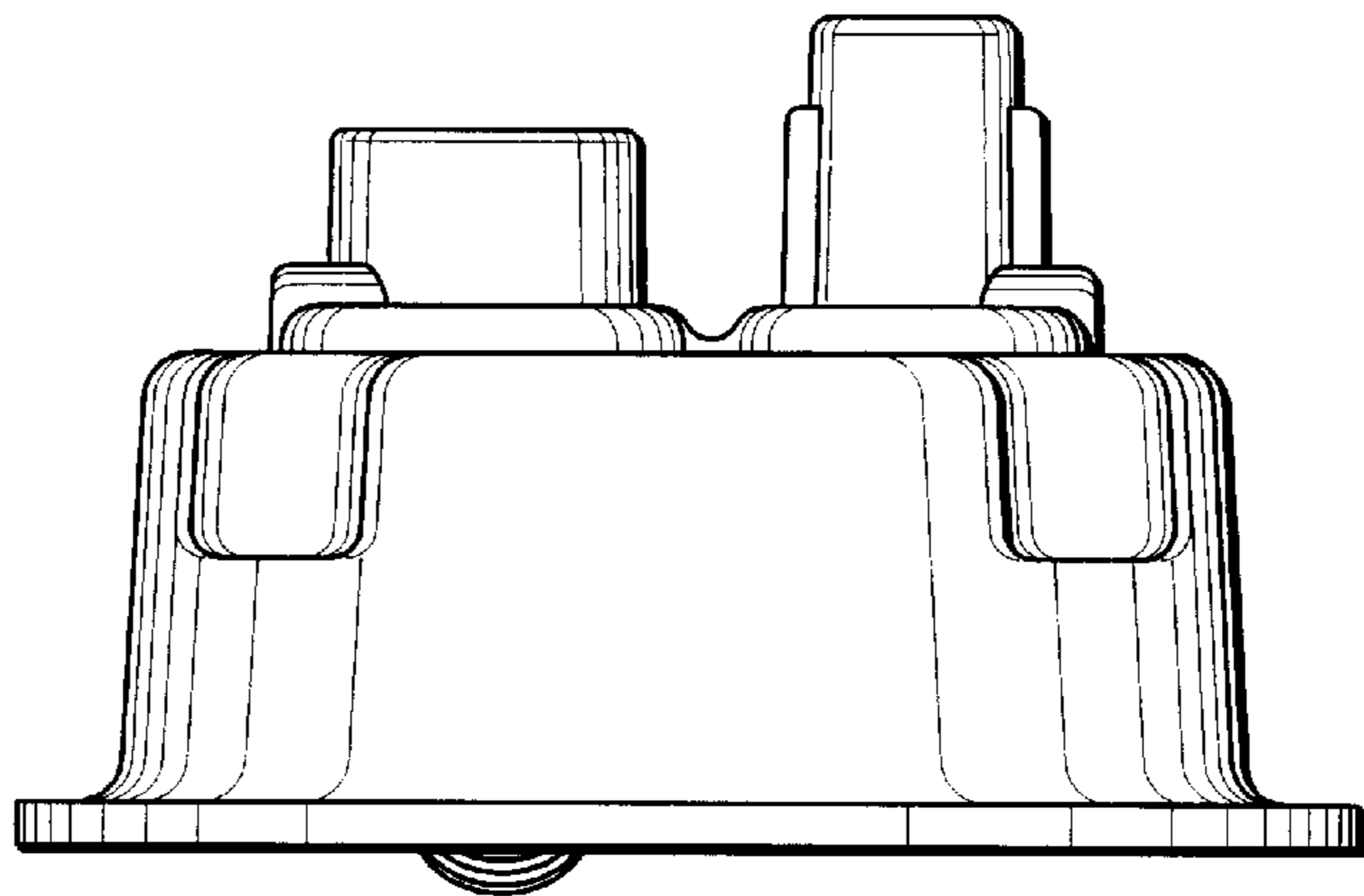


FIG. 11

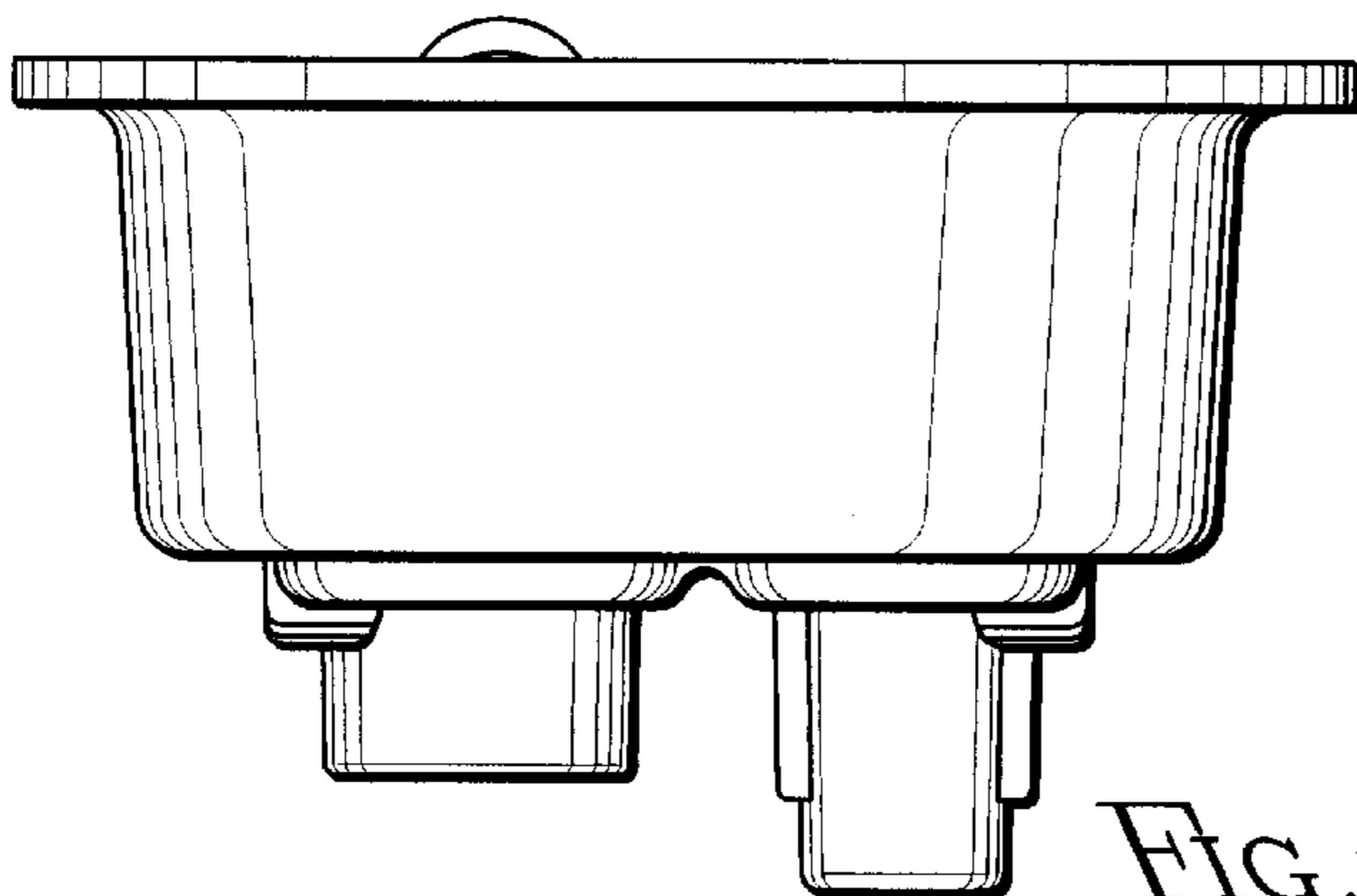


FIG. 12