



US00D470913S

(12) **United States Design Patent**
Petrovic et al.

(10) **Patent No.: US D470,913 S**

(45) **Date of Patent: ** *Feb. 25, 2003**

(54) **BODY SPRAY SHOWER MEMBER**

6,038,715 A * 3/2000 Flieger et al. 4/601
D429,322 S * 8/2000 Haug et al. D23/301
6,256,808 B1 * 7/2001 Graham et al. 4/615

(75) Inventors: **John Edward Petrovic**, Hillsdale, MI
(US); **Todd Alex Talbot**, Jackson, MI
(US)

* cited by examiner

(73) Assignee: **Alsons Corporation**, Hillsdale, MI
(US)

Primary Examiner—Robin V. Taylor

(*) Notice: This patent is subject to a terminal dis-
claimer.

(57) **CLAIM**

The ornamental design for the body spray shower member,
as shown and described.

(**) Term: **14 Years**

DESCRIPTION

(21) Appl. No.: **29/151,110**

FIG. 1 is a perspective view of the unique body spray shower
member in accordance with the invention;

(22) Filed: **Nov. 2, 2001**

FIG. 2 is a front plan view of the body spray shower member
of FIG. 1;

(51) **LOC (7) Cl.** **23-01**

FIG. 3 is a right side plan view of the body spray member
of FIG. 1 with the left side being similar except for the
opposite contour of the hose thereof;

(52) **U.S. Cl.** **D23/213; D23/228**

(58) **Field of Search** D23/213, 229,
D23/304, 223; 4/601, 615, 612

FIG. 4 is a top plan view of the body spray shower member
of FIG. 1; and,

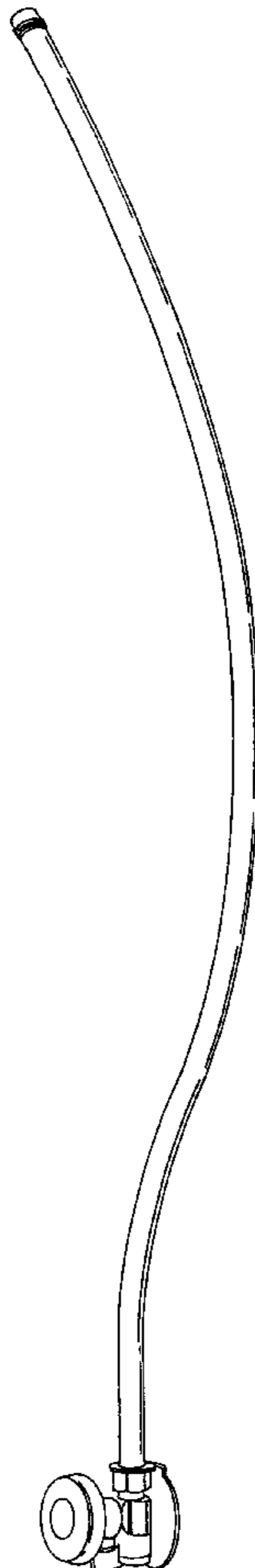
(56) **References Cited**

FIG. 5 is a bottom plan view of the body spray shower
member of FIG. 1.

U.S. PATENT DOCUMENTS

5,339,469 A * 8/1994 Gilles 4/601
D405,877 S * 2/1999 Larsson D23/304

1 Claim, 2 Drawing Sheets



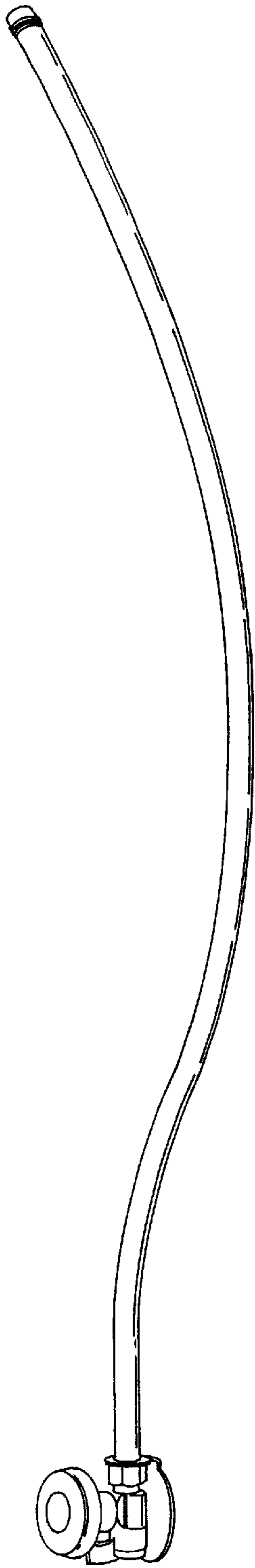


FIG. 1

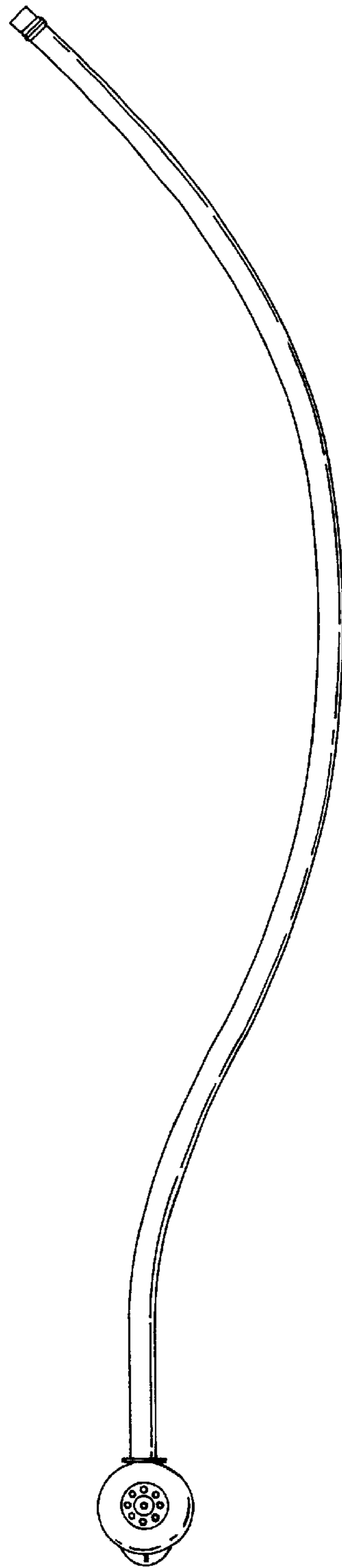


FIG. 2

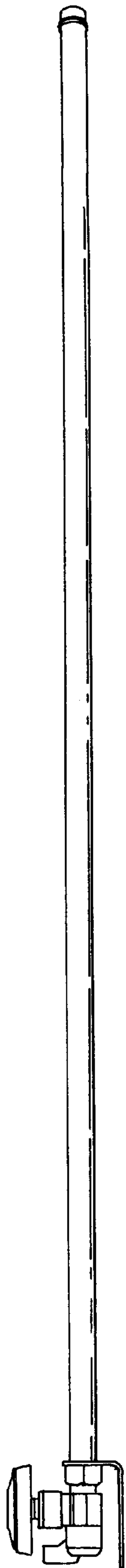


FIG. 3

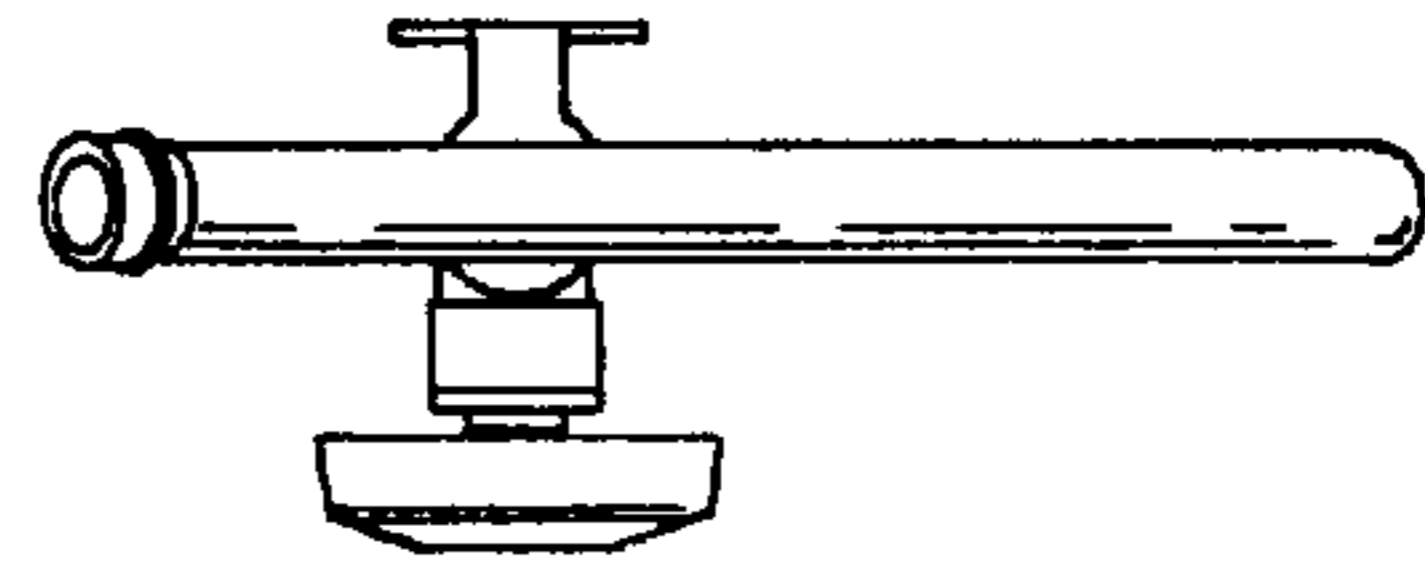


FIG. 4

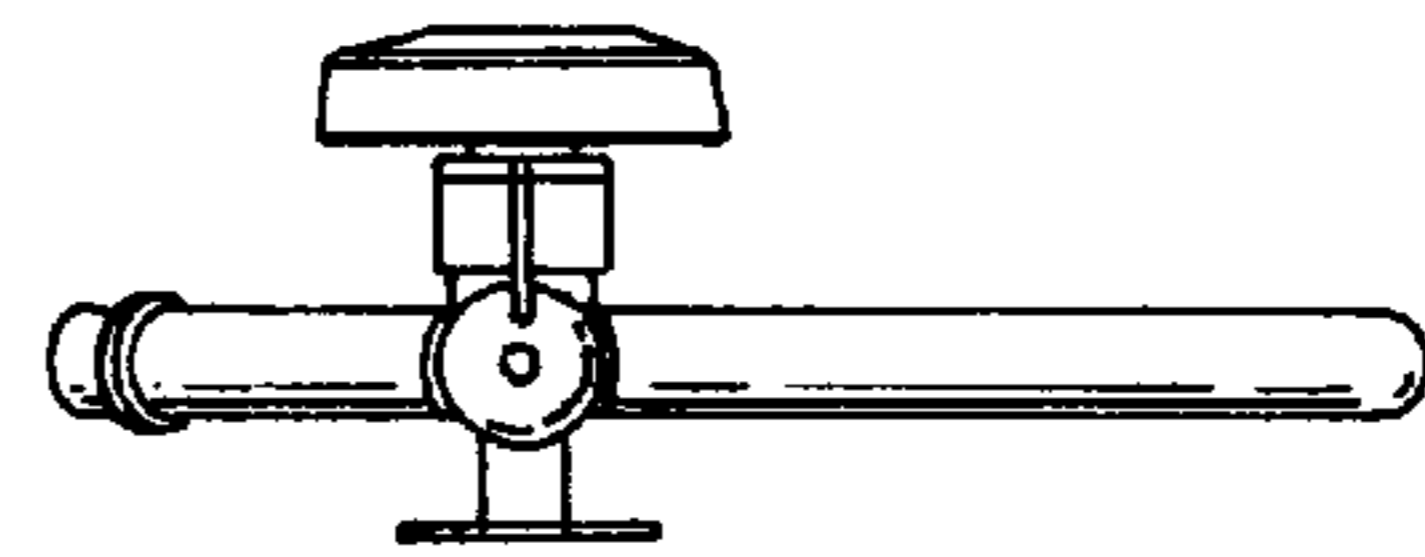


FIG. 5