



US00D470906S

(12) **United States Design Patent**
Shaw

(10) **Patent No.:** **US D470,906 S**

(45) **Date of Patent:** **** Feb. 25, 2003**

(54) **GOLF PUTTING TRAINER**

D461,517 S * 8/2002 Morgan et al. D21/791

(76) Inventor: **Howard G. Shaw**, 123 Carlos Dr., San Rafael, CA (US) 94903

* cited by examiner

(**) Term: **14 Years**

Primary Examiner—Mitchell Siegel

(74) *Attorney, Agent, or Firm*—Edward S. Wright

(21) Appl. No.: **29/160,245**

(57) **CLAIM**

(22) Filed: **May 6, 2002**

The ornamental design for a golf putting trainer, as shown and described.

(51) **LOC (7) Cl.** **21-02**

DESCRIPTION

(52) **U.S. Cl.** **D21/791**

FIG. 1 is an isometric view of one embodiment of an golf putting trainer showing my new design;

(58) **Field of Search** D21/789, 791;

473/251, 268, 261

FIG. 2 is a top plan view thereof;

FIG. 3 is a right side elevational view thereof;

FIG. 4 is a bottom plan view thereof;

FIG. 5 a front elevational view thereof; and,

FIG. 6 is a rear elevational view thereof.

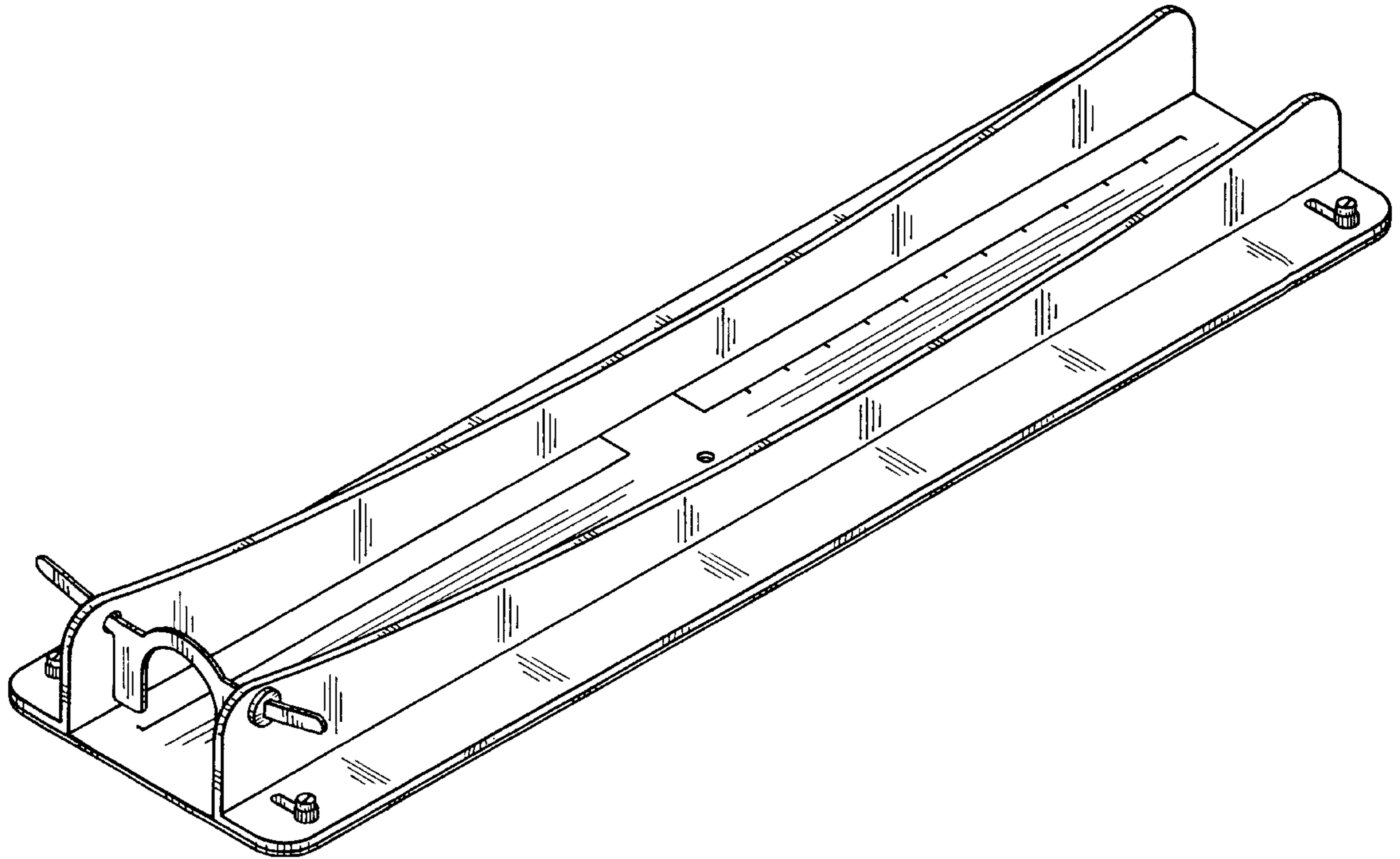
The left side is a mirror image of the right side.

(56) **References Cited**

U.S. PATENT DOCUMENTS

D211,376 S	*	6/1968	Chidester	D21/791
D245,035 S	*	7/1977	Gordon	D21/790
D336,618 S	*	6/1993	Smith	D21/791
D384,385 S	*	9/1997	Farage	D21/791

1 Claim, 3 Drawing Sheets



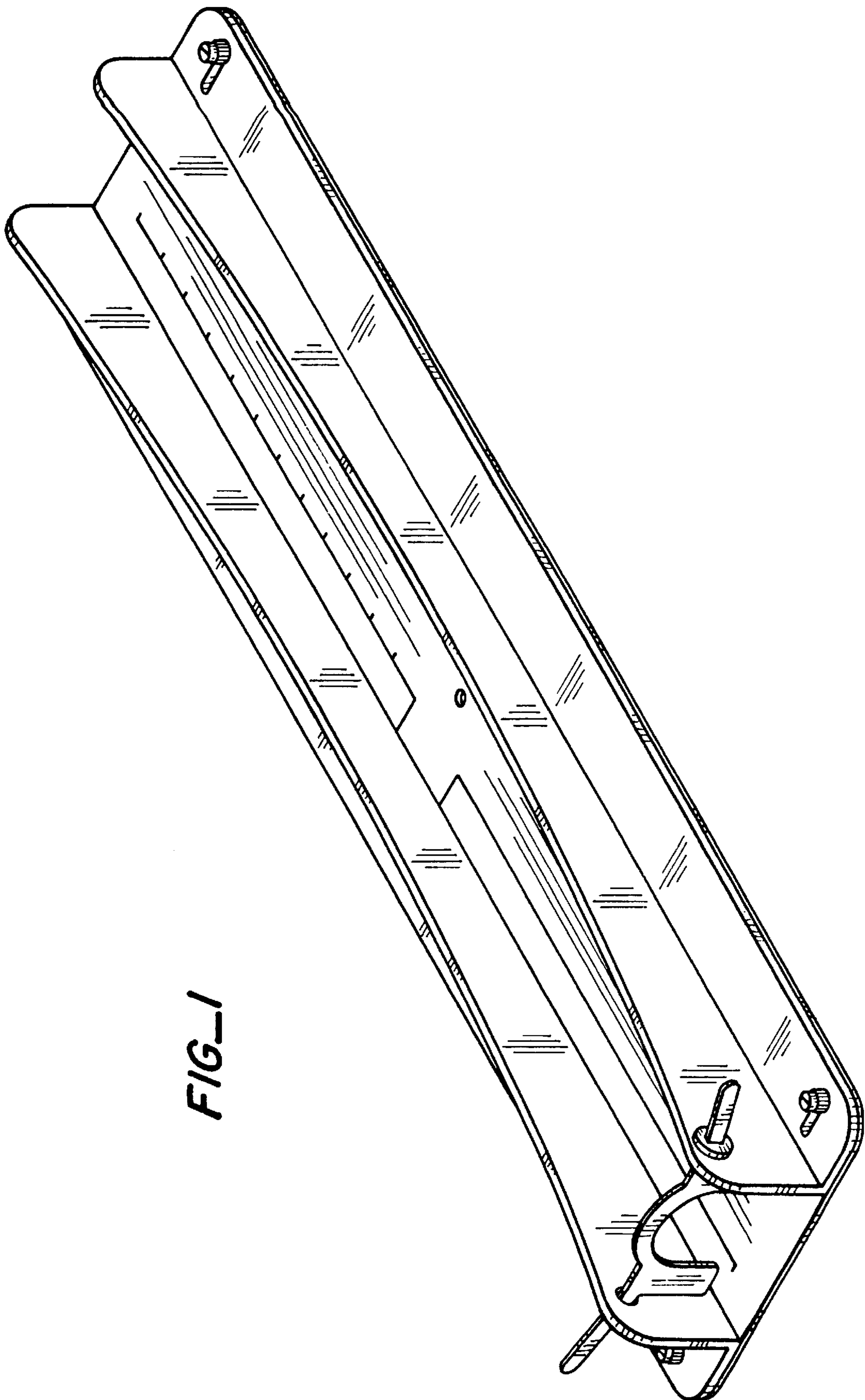


FIG-1

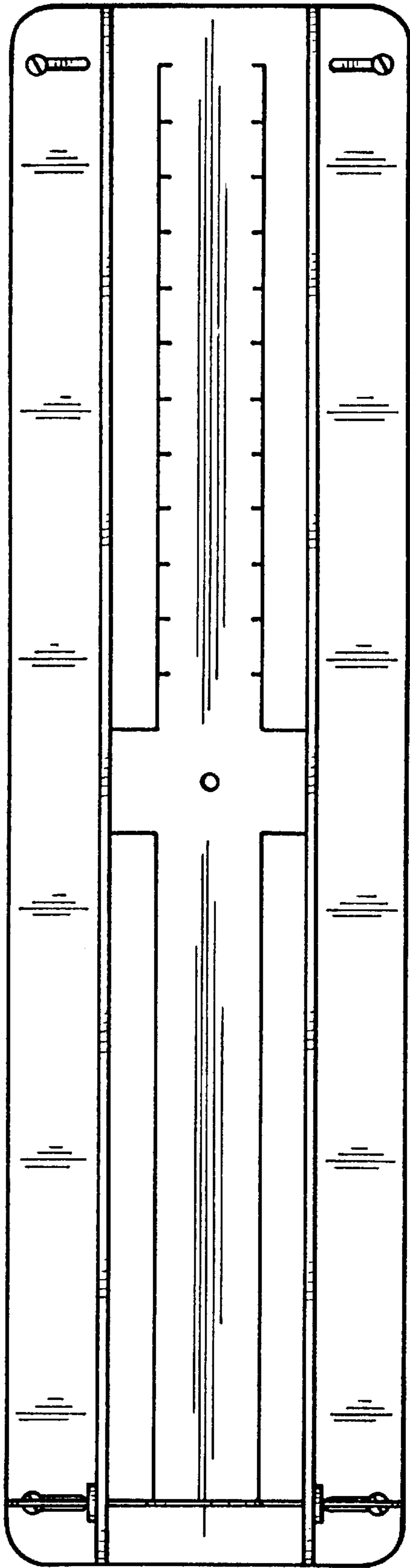


FIG-2

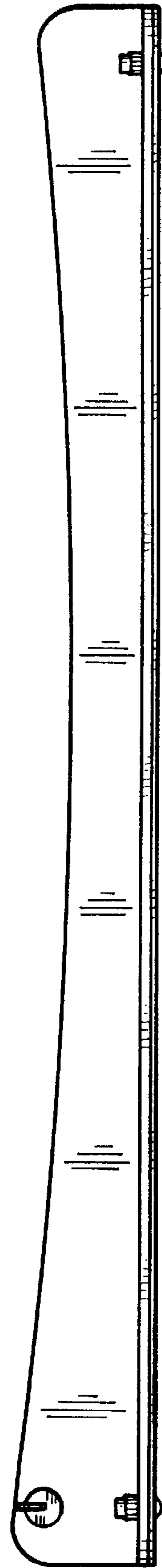


FIG-3

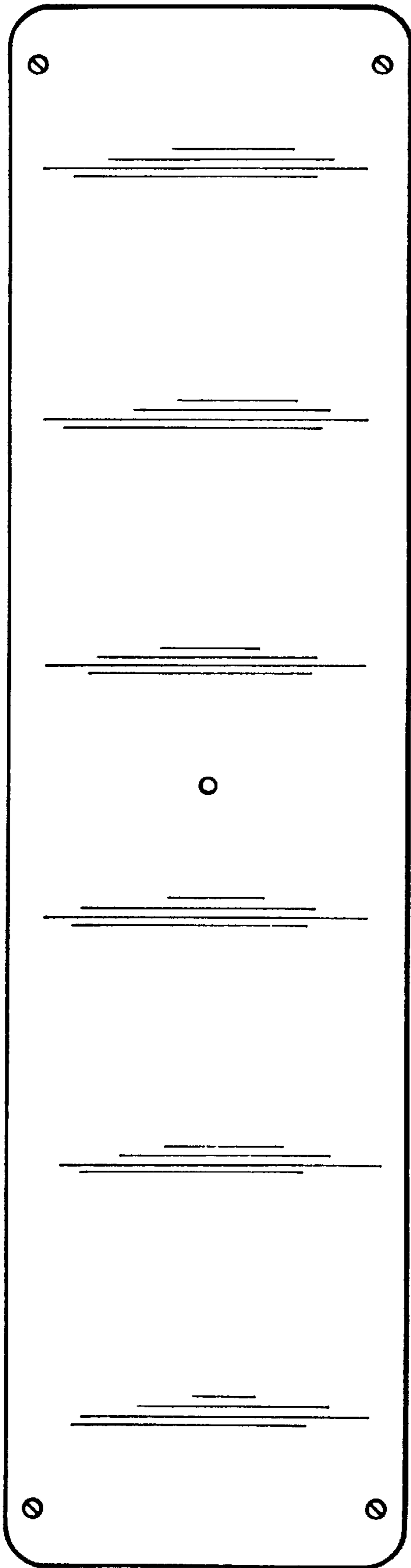


FIG-4

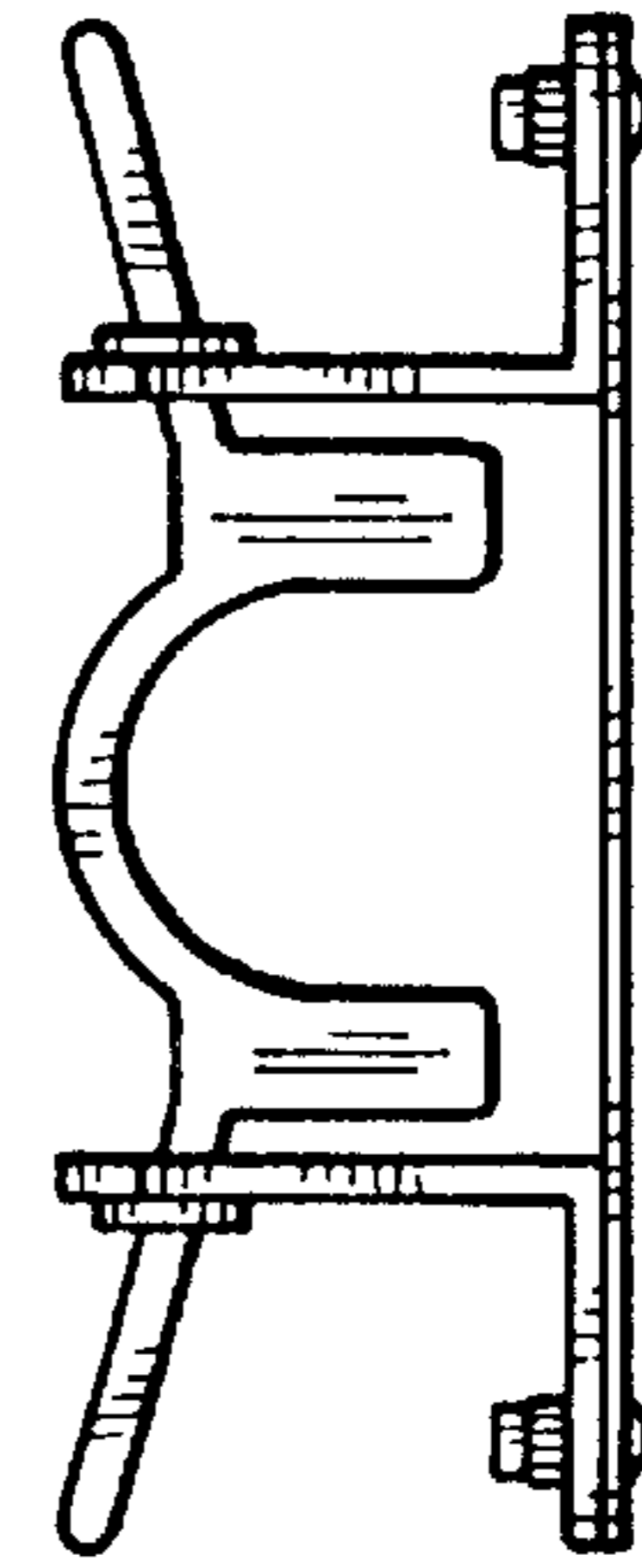


FIG-6

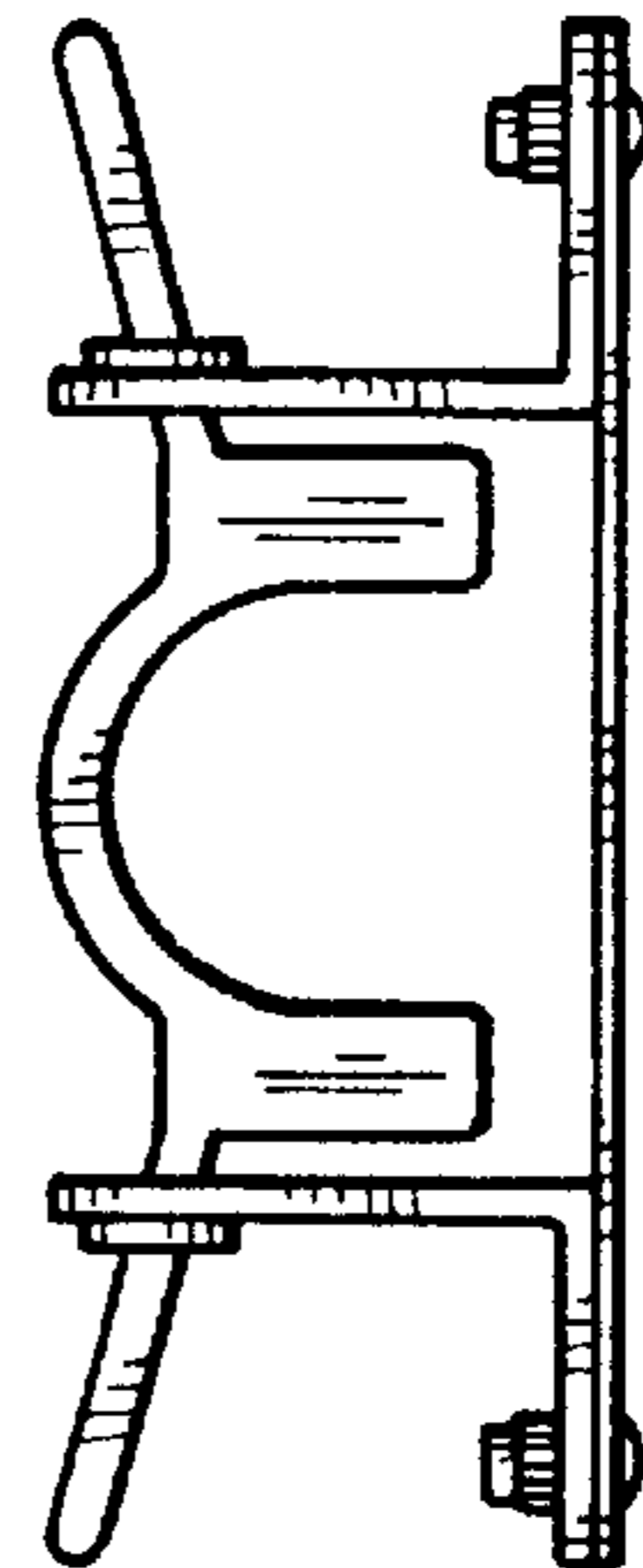


FIG-5