



US00D470905S

(12) **United States Design Patent**
Beeson

(10) **Patent No.:** **US D470,905 S**

(45) **Date of Patent:** **** Feb. 25, 2003**

(54) **GOLF PRACTICE DEVICE**

Primary Examiner—Mitchell Siegel

(76) **Inventor:** **James Marty Beeson**, 6015 Arden Dr.,
Clemmons, NC (US) 27012

(57) **CLAIM**

(**) **Term:** **14 Years**

The ornamental design for a golf practice device, as shown and described.

(21) **Appl. No.:** **29/158,811**

DESCRIPTION

(22) **Filed:** **Apr. 9, 2002**

(51) **LOC (7) Cl.** **21-02**

FIG. 1 is a front elevational view of a golf practice device showing my new design;

(52) **U.S. Cl.** **D21/791**

FIG. 2 is a rear elevational view thereof;

(58) **Field of Search** D21/789, 791;
473/226, 229

FIG. 3 is a side view taken from the left side of FIG. 1, the right side view being a mirror image thereof;

FIG. 4 is a top plan view thereof;

(56) **References Cited**

U.S. PATENT DOCUMENTS

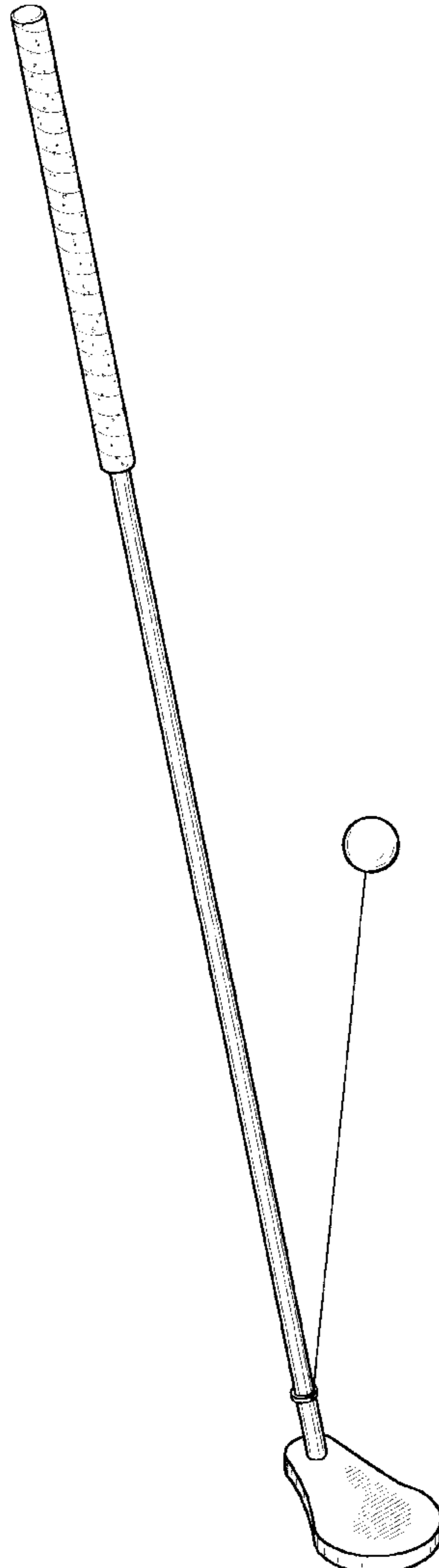
D247,919 S	*	5/1978	Goyette	D21/791
D368,950 S	*	4/1996	Gates	D21/791
D443,328 S	*	6/2001	Martin et al.	D21/791
D459,426 S	*	6/2002	Wang	D21/791

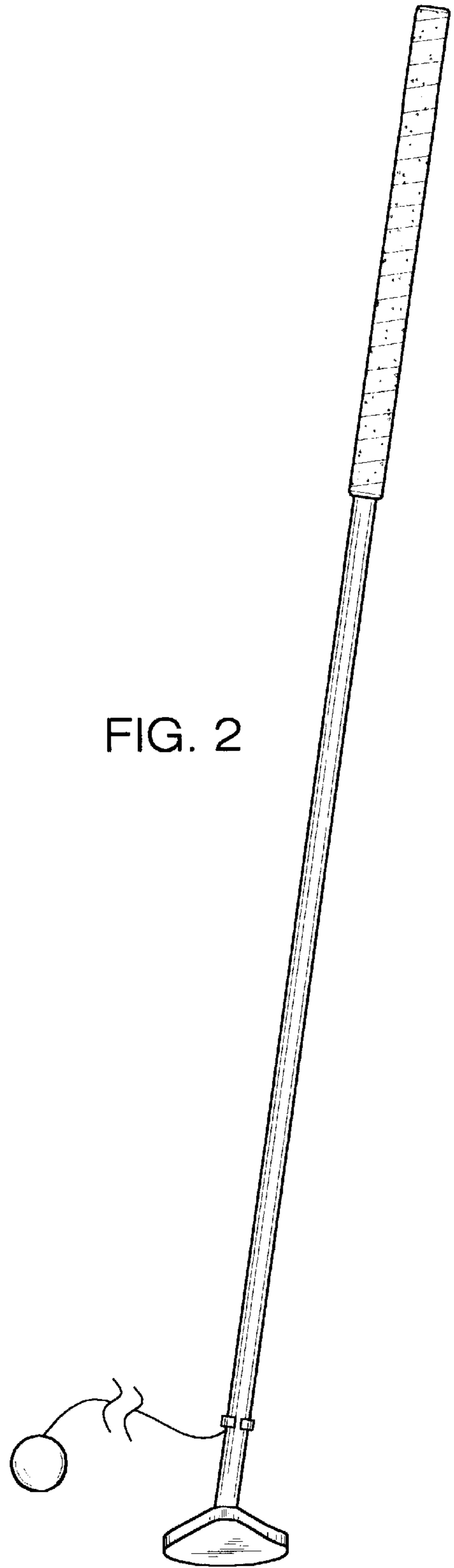
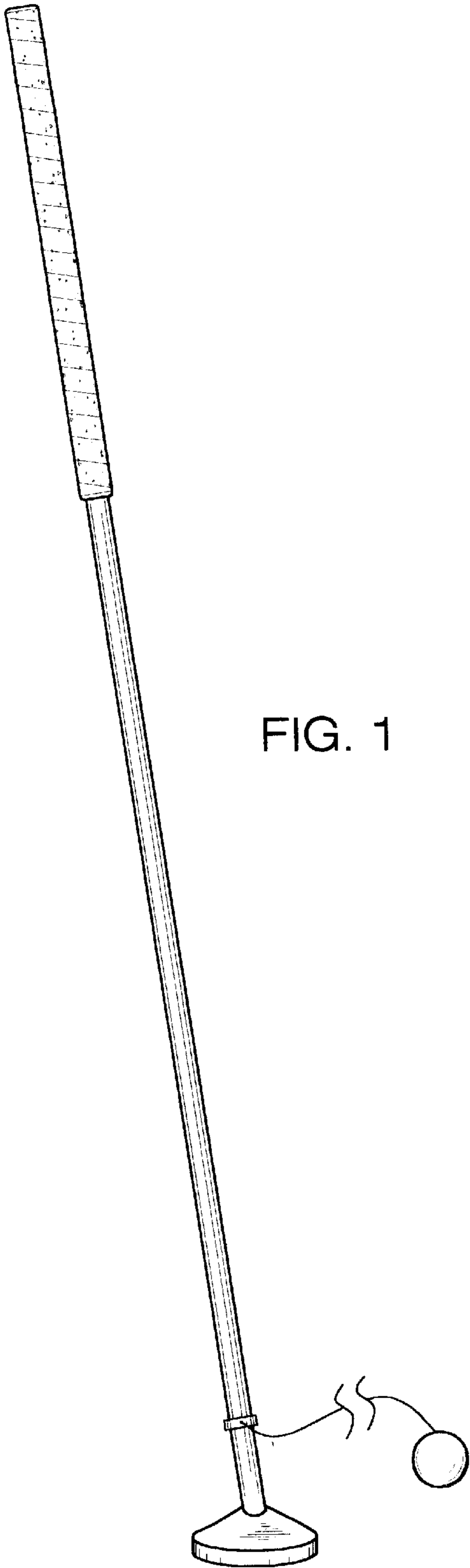
FIG. 5 is a bottom plan view thereof; and,

FIG. 6 is a perspective view of my device.
The tether is broken away in FIGS. 1-5 for ease of illustration.

* cited by examiner

1 Claim, 3 Drawing Sheets





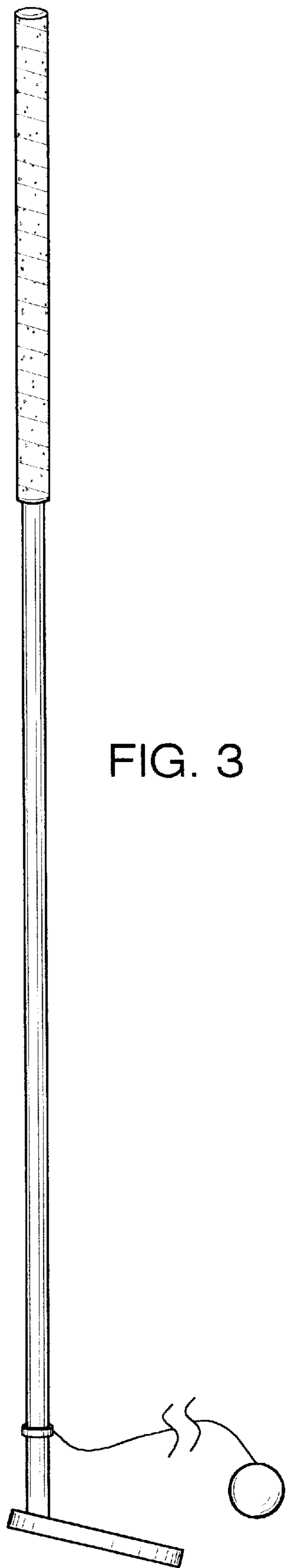


FIG. 3

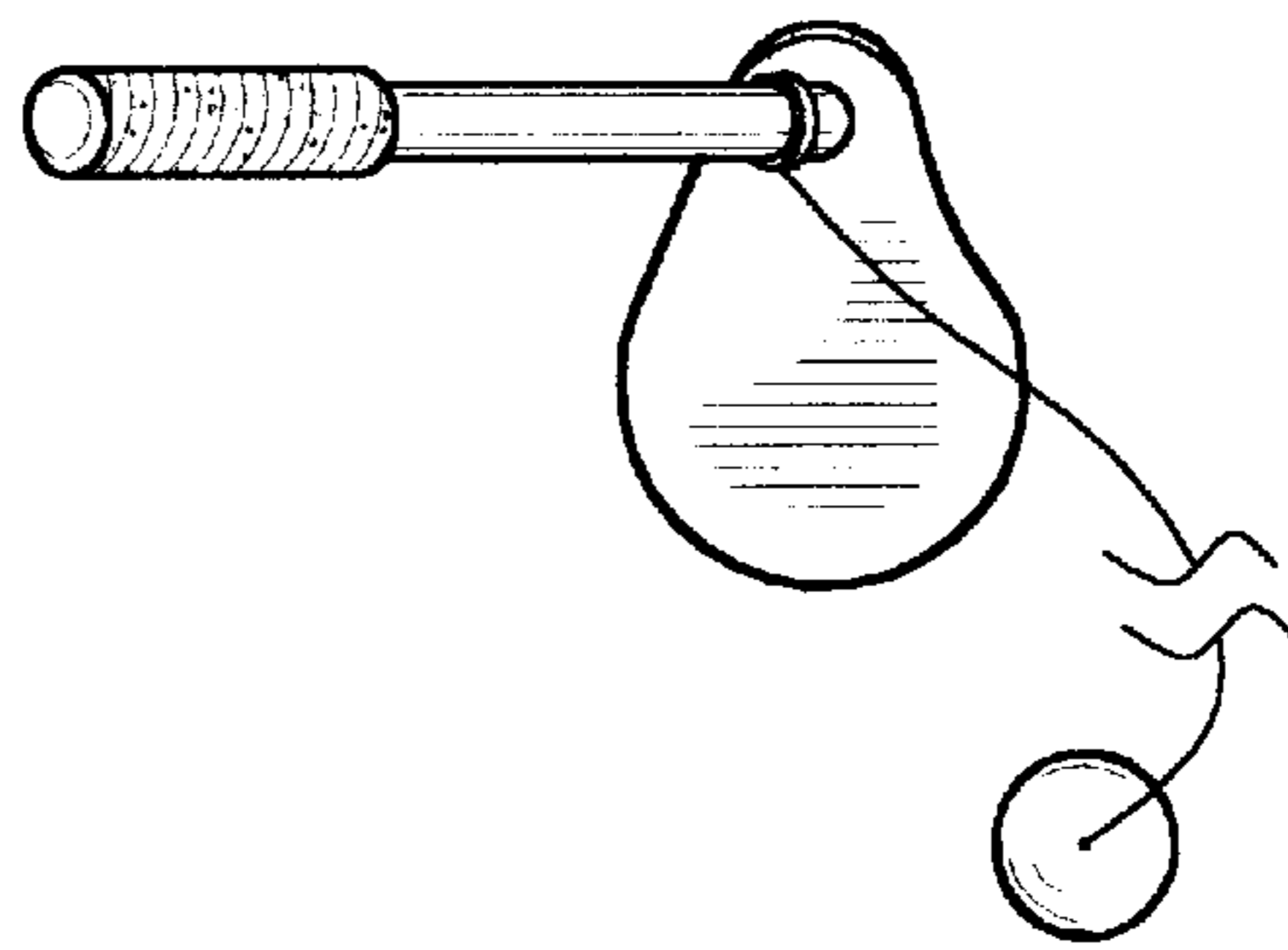


FIG. 4

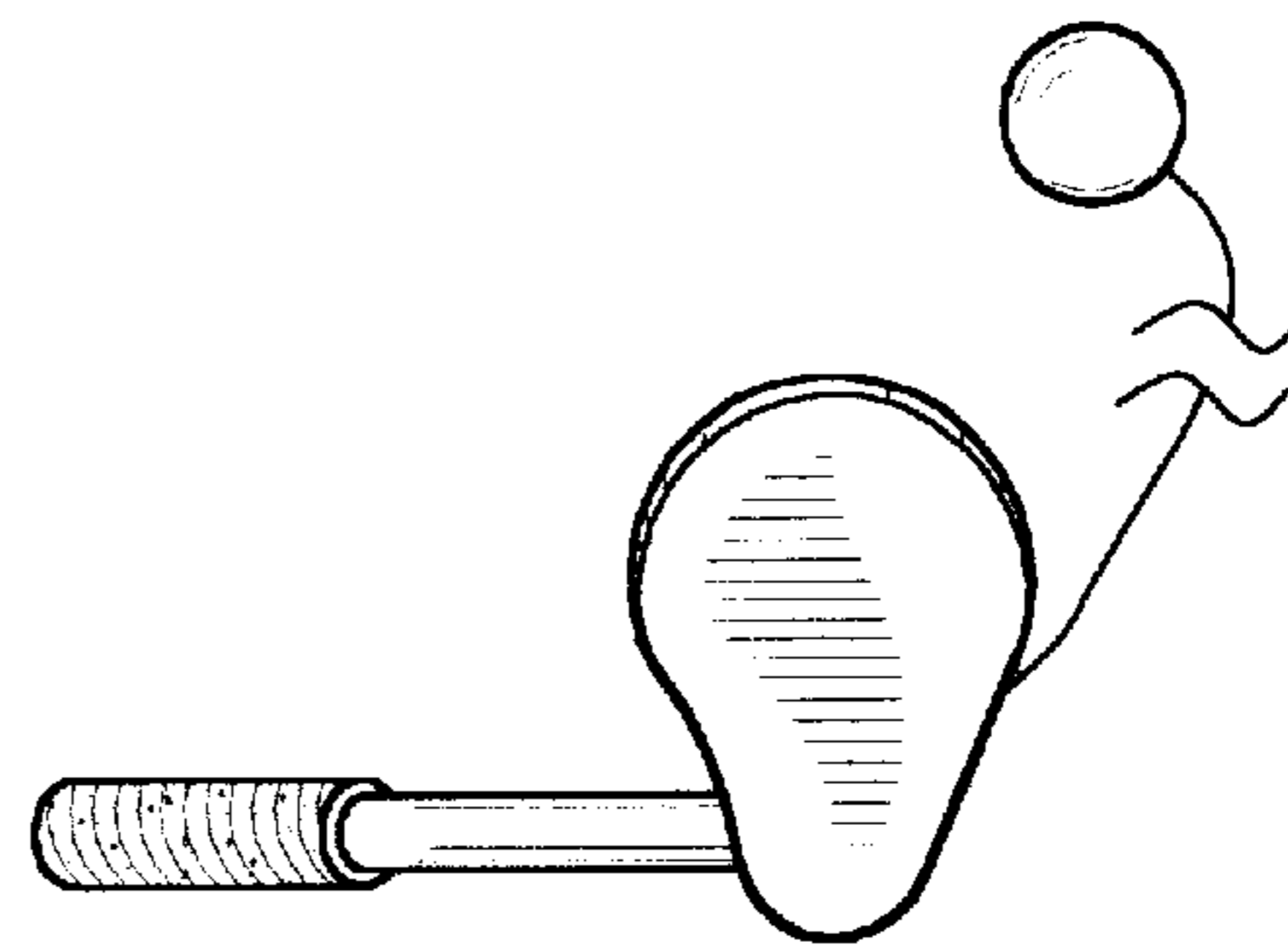


FIG. 5

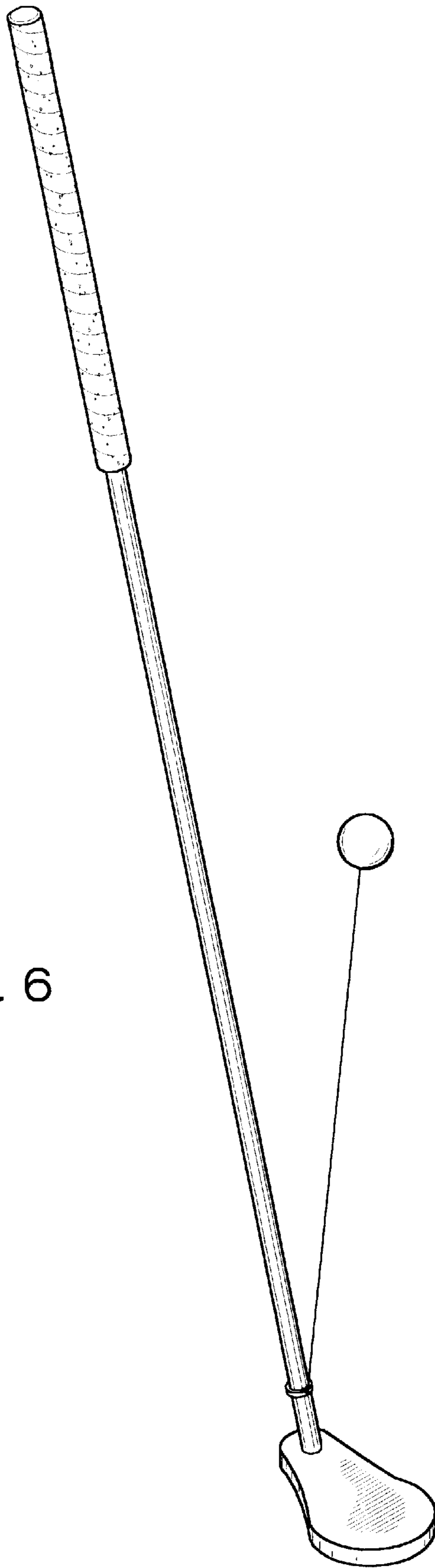


FIG. 6