



US00D470904S

(12) **United States Design Patent**
Tang et al.

(10) **Patent No.:** **US D470,904 S**

(45) **Date of Patent:** **** Feb. 25, 2003**

(54) **PUTTER HEAD**

(75) Inventors: **Larry G. Tang**, Carlsbad, CA (US);
Joshua G. Breier, Vista, CA (US)

(73) Assignee: **Callaway Golf Company**, Carlsbad,
CA (US)

(**) Term: **14 Years**

(21) Appl. No.: **29/158,029**

(22) Filed: **Mar. 27, 2002**

(51) **LOC (7) Cl.** **21-02**

(52) **U.S. Cl.** **D21/742**

(58) **Field of Search** D21/736-746;
473/251-256, 324, 327, 328, 340, 341

(56) **References Cited**

U.S. PATENT DOCUMENTS

1,485,272 A	2/1924	Kinsman
1,526,951 A	2/1925	Beaumont
1,546,612 A	7/1925	Barnes
1,569,295 A	1/1926	Munson
1,652,404 A	9/1927	Graveure
1,654,916 A	1/1928	Boyce
1,666,174 A	4/1928	Holland
1,703,199 A	2/1929	McClure
D85,510 S	6/1931	Beach
D90,924 S	8/1933	Replogle
1,960,110 A	5/1934	Iles
D95,819 S	3/1935	Gourlay
2,002,631 A	5/1935	Fiondella

2,056,335 A	6/1936	Wettlaufer
2,057,821 A	10/1936	Costello
D104,495 S	5/1937	Gallagher
2,156,025 A	4/1939	Paul
2,447,967 A	8/1948	Stone
2,478,468 A	8/1949	Drake
2,708,579 A	5/1955	Hugman
D179,002 S	10/1956	Hoffmeister
D179,246 S	11/1956	Gillon
2,781,197 A	2/1957	Wiley
2,838,312 A	6/1958	Drake
2,957,696 A	10/1960	Warpotas

(List continued on next page.)

Primary Examiner—Mitchell Siegel

(74) *Attorney, Agent, or Firm*—Michael A. Catania

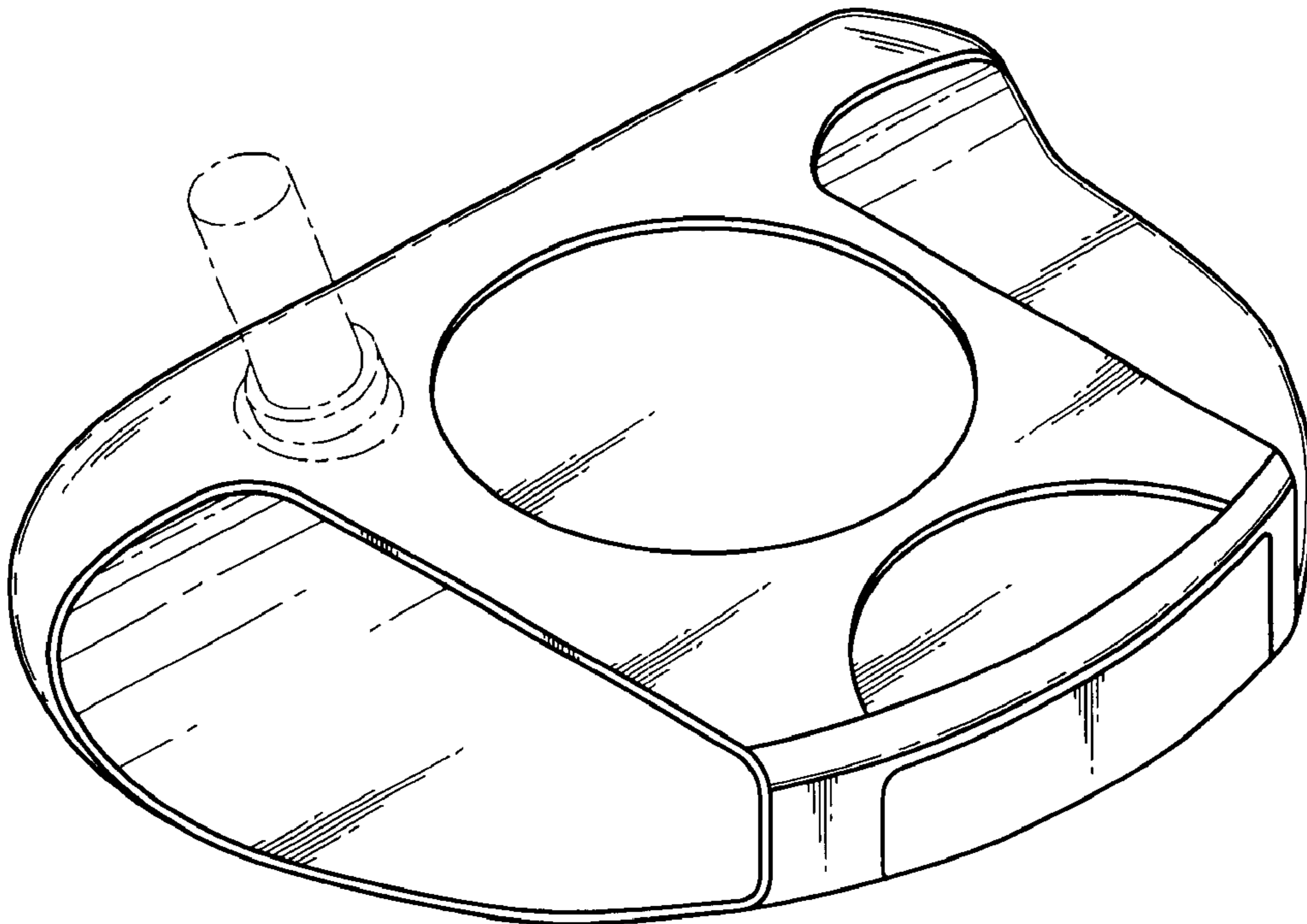
(57) **CLAIM**

The ornamental design for a putter head, as shown and described.

DESCRIPTION

FIG. 1 is a top perspective view of a putter head thereof;
FIG. 2 is a top plan view of a putter head thereof;
FIG. 3 is a bottom plan view thereof;
FIG. 4 is a front view thereof;
FIG. 5 is a back view thereof;
FIG. 6 is a right side view thereof; and,
FIG. 7 is a left side view thereof.
The broken line showing is for illustrative purposes only and forms no part of the claimed design.

1 Claim, 2 Drawing Sheets



US D470,904 S

Page 2

U.S. PATENT DOCUMENTS

3,021,141 A	2/1962	Polsky et al.	3,632,112 A	1/1972	Jacobs	
3,064,975 A	11/1962	Smith	3,708,172 A	1/1973	Rango	
D200,585 S	3/1965	Cefaly	3,779,398 A	12/1973	Hunter	
3,194,564 A	7/1965	Swan	D230,615 S	3/1974	Delgadillo	
3,220,733 A	11/1965	Saleeby	3,806,129 A	4/1974	Burrows	
3,300,241 A	1/1967	Eberwein et al.	3,841,640 A	10/1974	Gaulocher	
3,310,879 A	3/1967	Brezezinski et al.	3,841,641 A	10/1974	Bennett	
3,328,032 A	6/1967	Griswold	D233,616 S	11/1974	Verzillo	
3,333,854 A	8/1967	White	3,884,477 A	5/1975	Bianco	
3,343,839 A	9/1967	Borah	3,918,720 A	11/1975	Gordos	
D209,294 S	11/1967	Hitt	D241,563 S	9/1976	McCord	
3,357,705 A	12/1967	Blanchard	D248,050 S	5/1978	Muehl	
3,408,074 A	10/1968	Antonious	D252,221 S	6/1979	Mariani	
3,411,789 A	11/1968	Wariner	5,685,784 A	* 11/1997	Butler 473/340
D217,487 S	5/1970	Blake	D458,656 S	* 6/2002	Tang et al. D21/738
3,512,262 A	5/1970	Smyk et al.	D461,515 S	* 8/2002	Tang et al. D21/742
3,578,332 A	5/1971	Caldwell	D461,860 S	* 8/2002	Tang D21/742

* cited by examiner

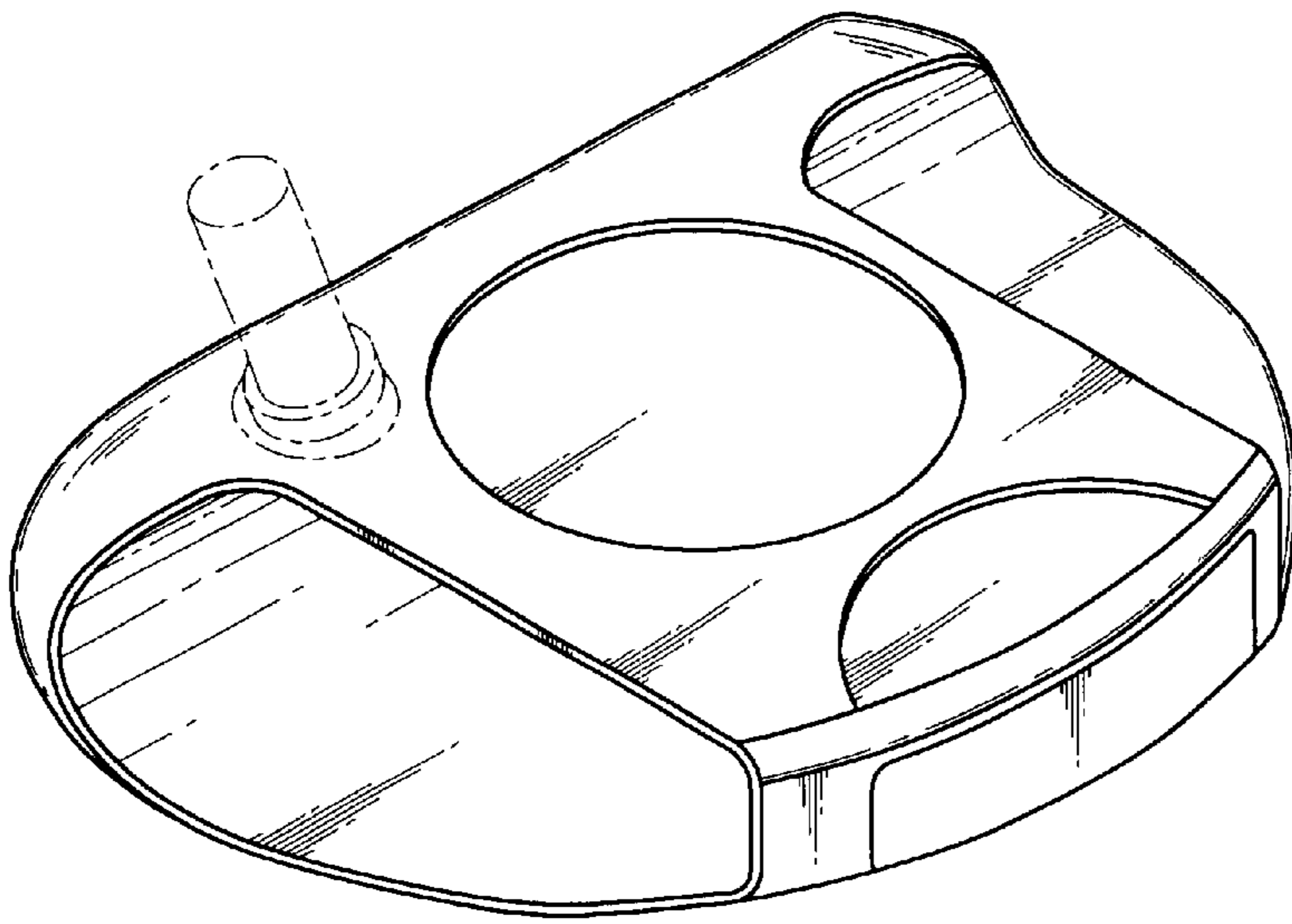


FIG. 1

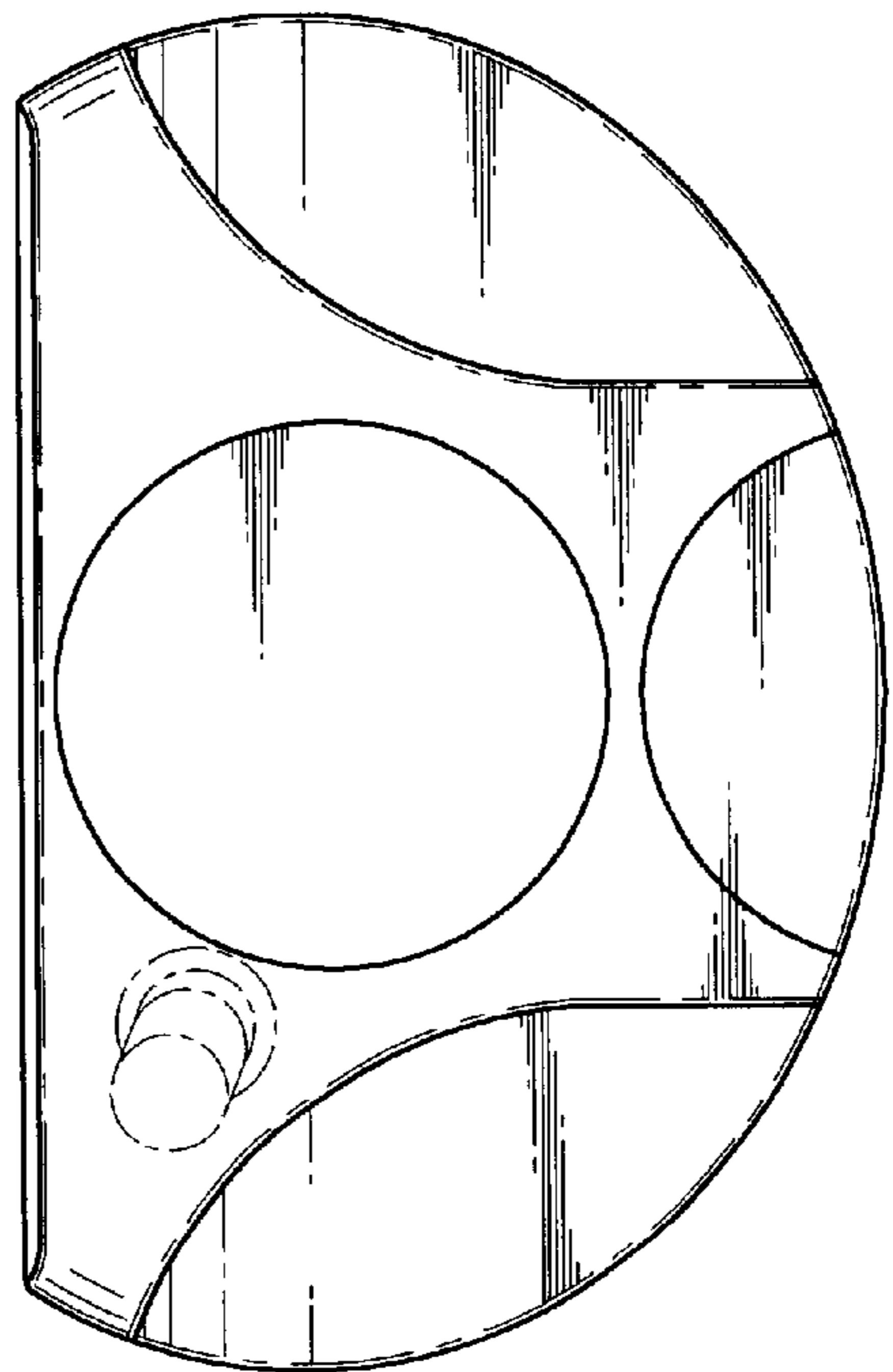


FIG. 2

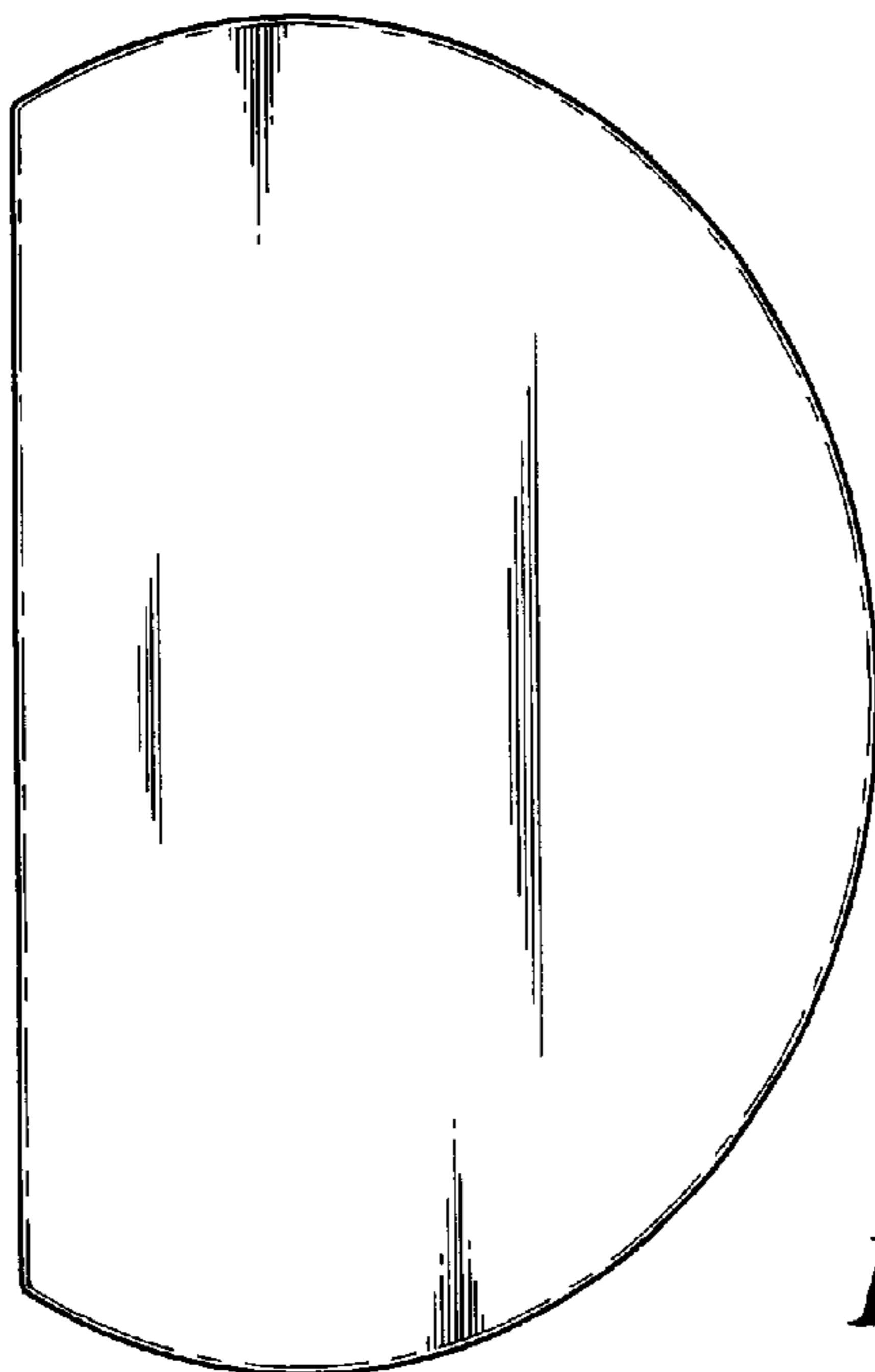


FIG. 3

FIG. 4

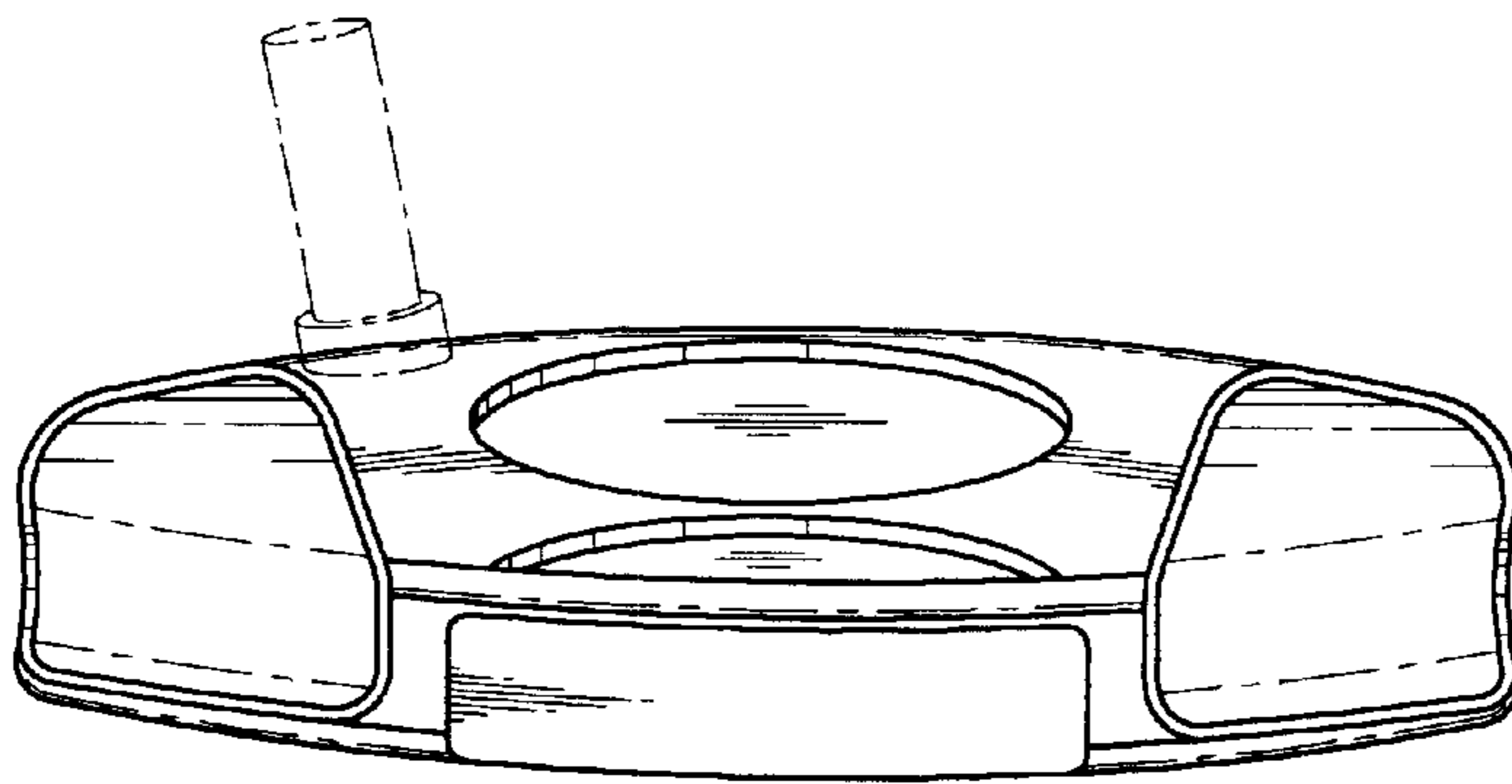
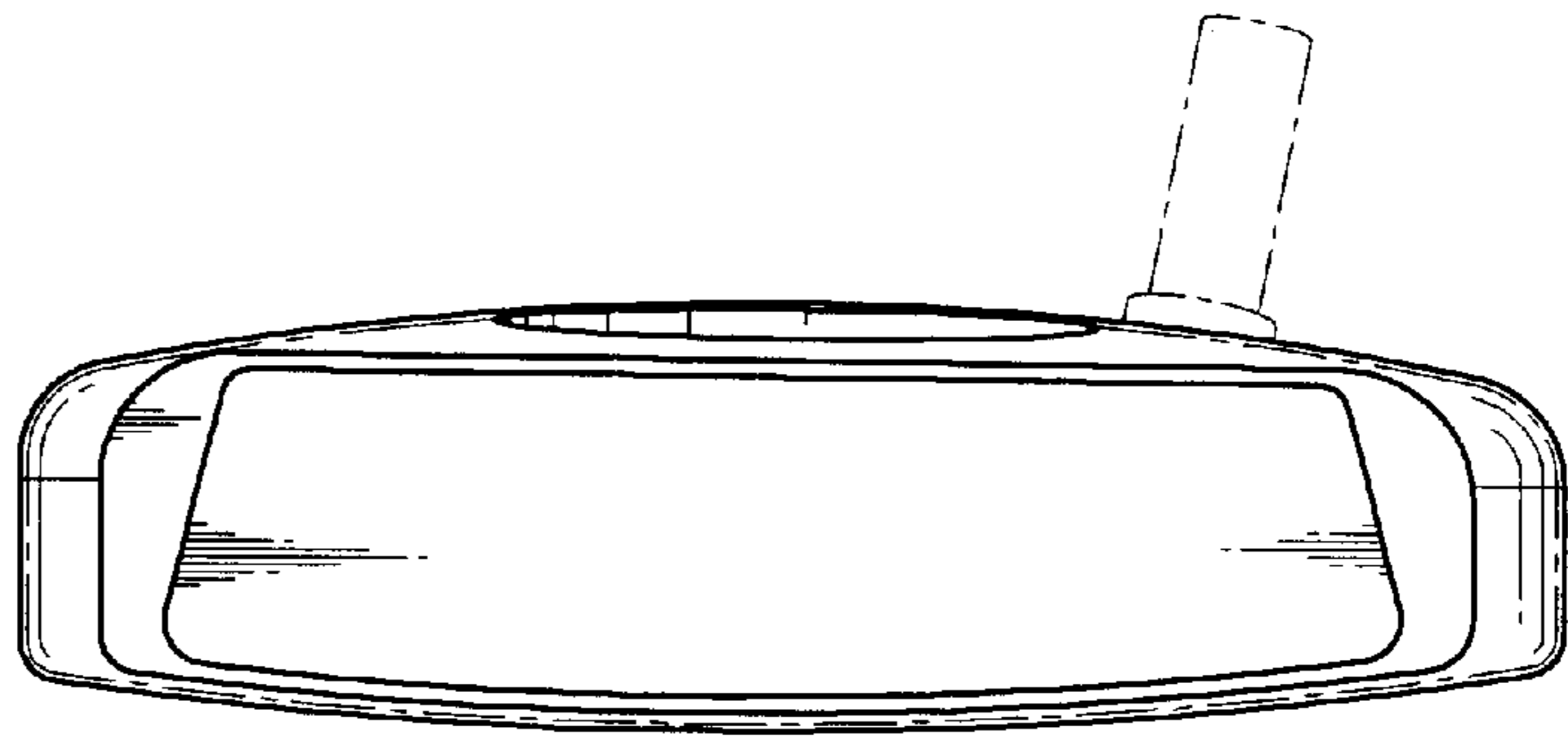


FIG. 5

FIG. 6

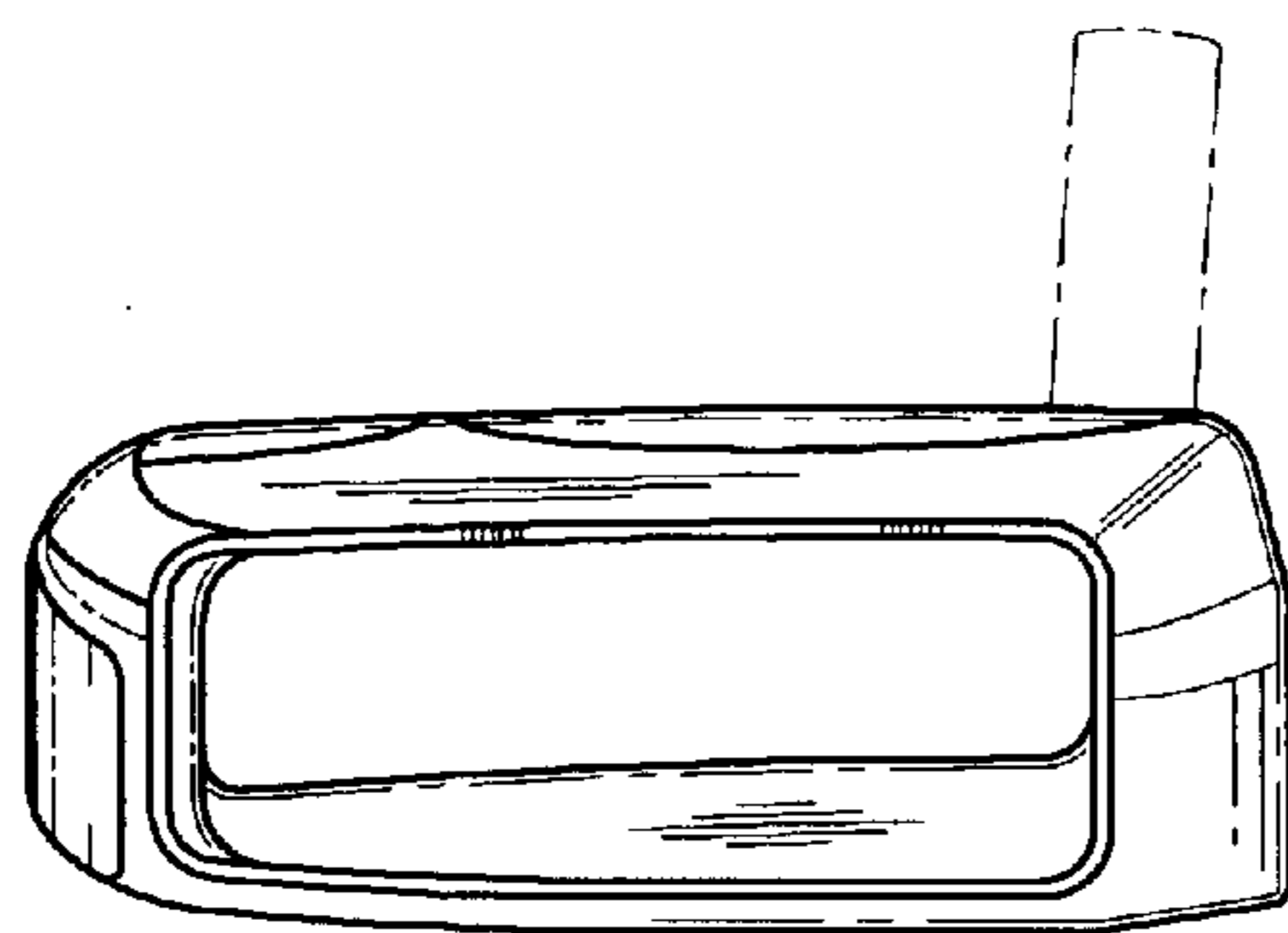
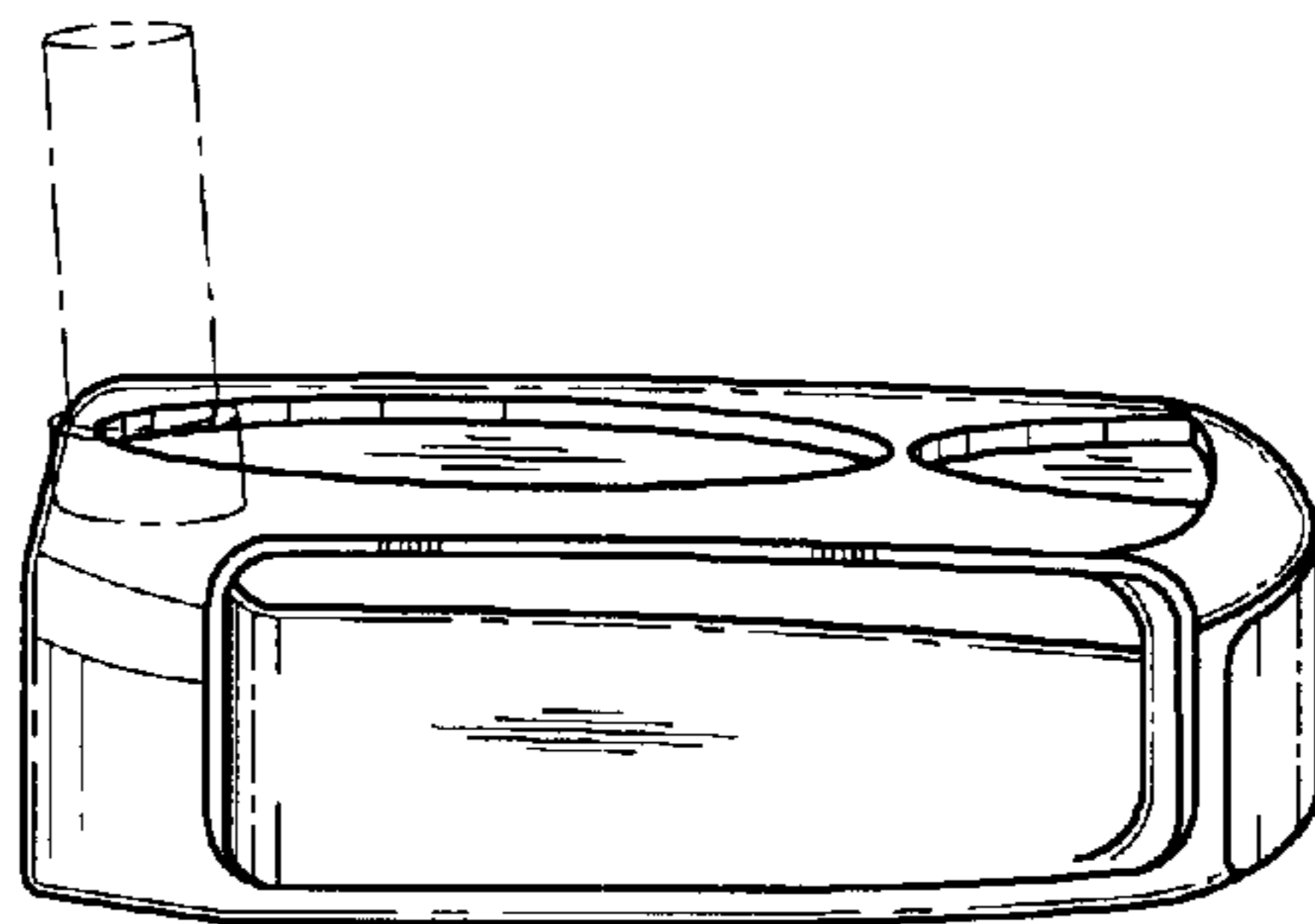


FIG. 7