



US00D470902S

(12) **United States Design Patent**  
**Davies**

(10) **Patent No.:** **US D470,902 S**

(45) **Date of Patent:** **\*\* Feb. 25, 2003**

(54) **JUMP ROPE SIMULATOR**

(76) Inventor: **Phillip Hugh Davies**, 2315 Holly La.,  
Lafayette Hill, PA (US) 19444

(\*\*) Term: **14 Years**

(21) Appl. No.: **29/152,688**

(22) Filed: **Feb. 14, 2002**

(51) **LOC (7) Cl.** ..... **21-02**

(52) **U.S. Cl.** ..... **D21/672; D21/662**

(58) **Field of Search** ..... **D21/662, 680,**  
**D21/684, 672; 482/81, 82, 109, 110, 148**

(56) **References Cited**

**U.S. PATENT DOCUMENTS**

4,693,469 A \* 9/1987 Cedar ..... 482/81  
4,787,623 A \* 11/1988 Cedar ..... 482/81

5,054,772 A \* 10/1991 Winston ..... 482/82  
5,895,341 A \* 4/1999 Jones ..... 482/81  
6,422,978 B2 \* 7/2002 Bouvier ..... 482/82

\* cited by examiner

*Primary Examiner*—Philip S. Hyder

(57) **CLAIM**

The ornamental design for a jump rope simulator, as shown.

**DESCRIPTION**

FIG. 1 is a front, elevational view of a jump rope simulator showing my new design.

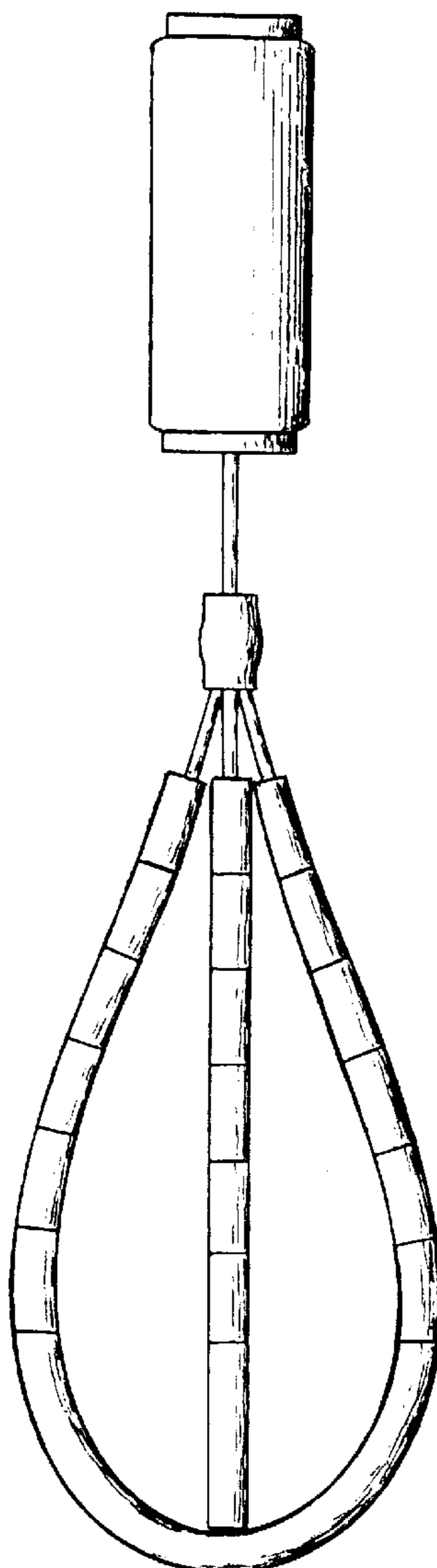
FIG. 2 is right side elevation thereof.

FIG. 3 is a top view thereof.

FIG. 4 is a bottom view thereof; and,

FIG. 5 is a perspective view thereof.

**1 Claim, 2 Drawing Sheets**



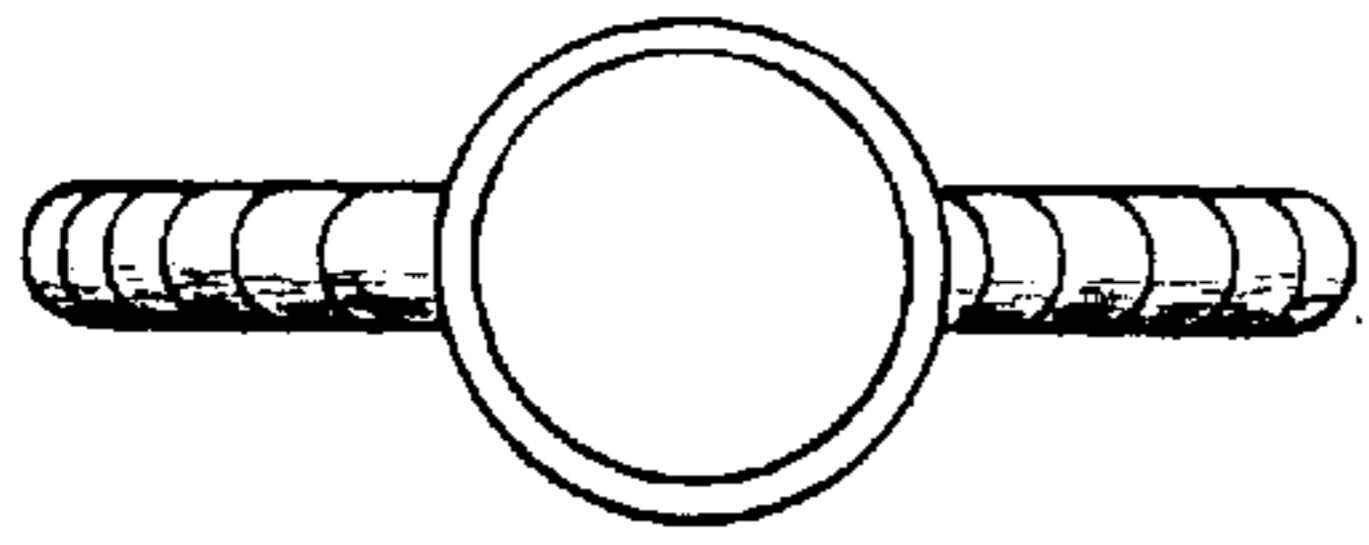


FIG. 3

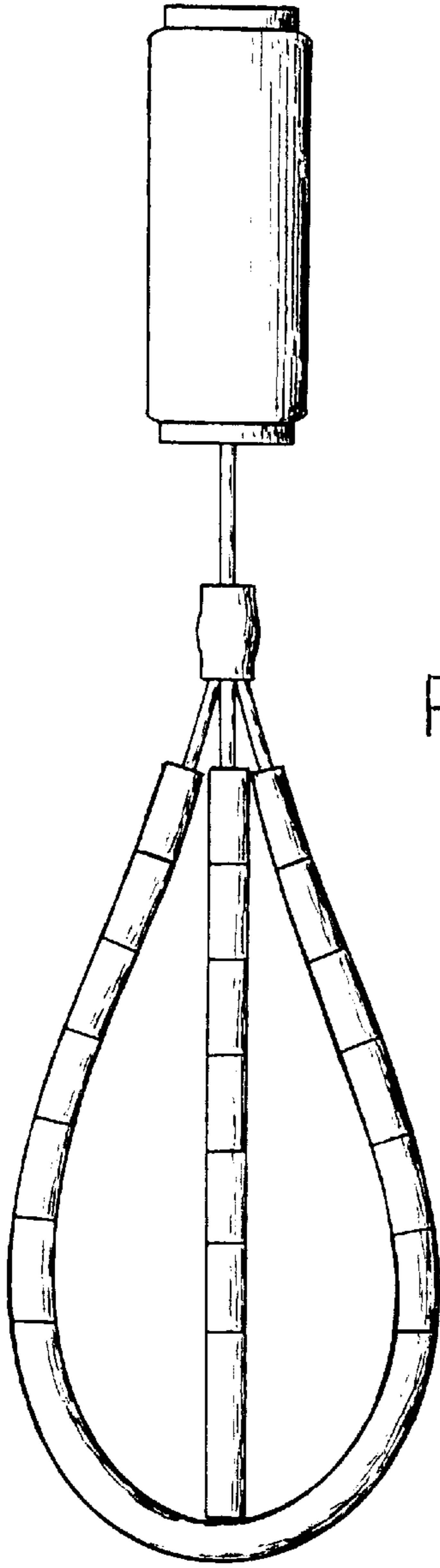


FIG. 1

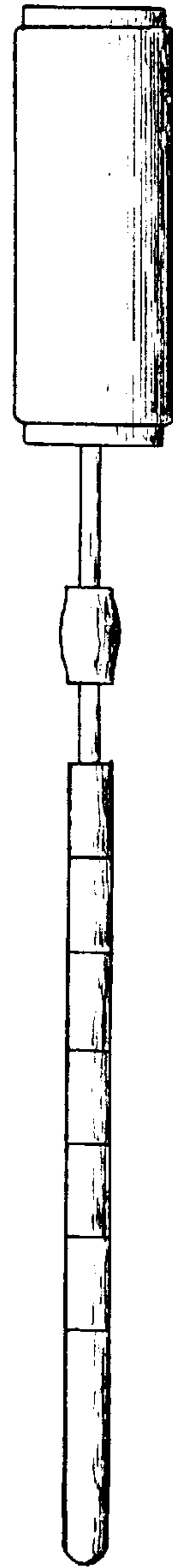


FIG. 2

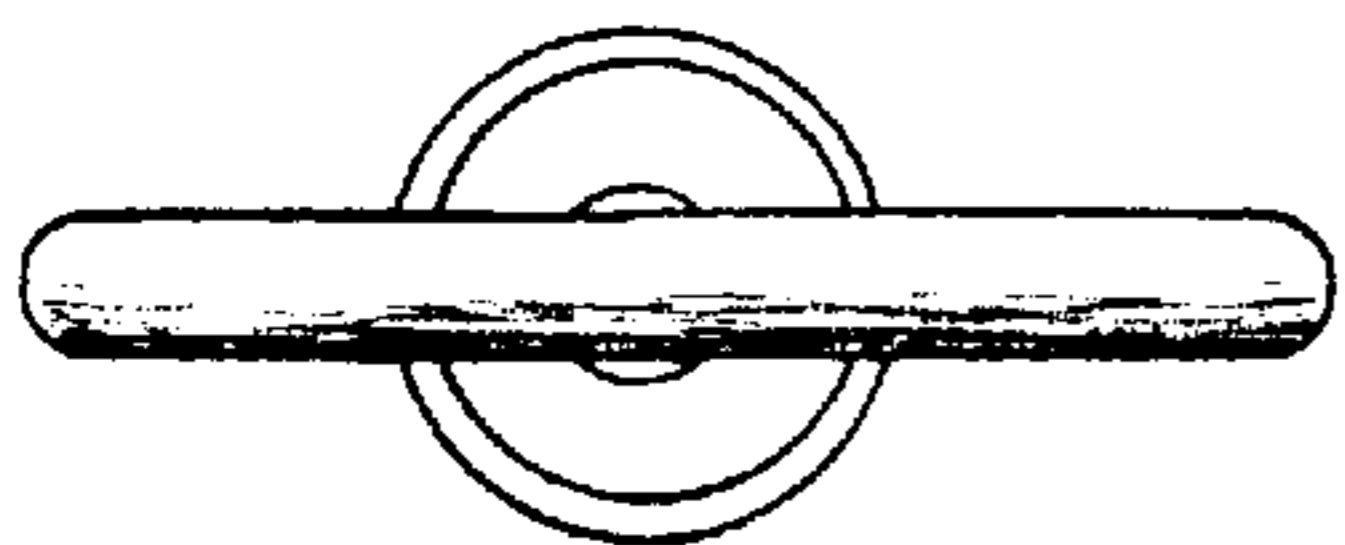


FIG. 4

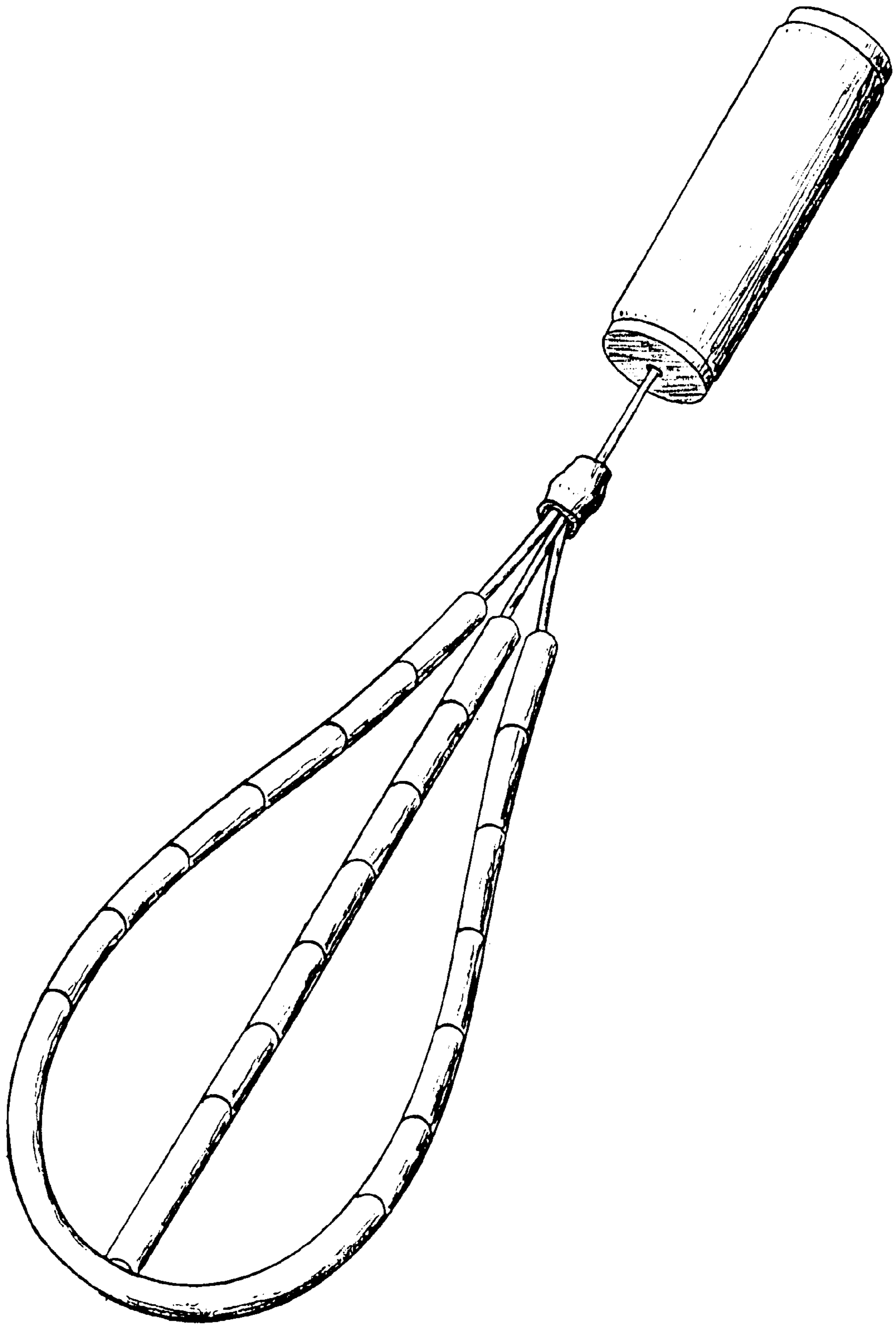


FIG. 5