



US00D470899S

(12) **United States Design Patent**  
**Goh**

(10) **Patent No.:** **US D470,899 S**

(45) **Date of Patent:** **\*\* Feb. 25, 2003**

(54) **COMPUTER GAME SIMULATION COCKPIT**

**DESCRIPTION**

(76) Inventor: **Kenneth Goh**, 17 Barberry Court,  
Dianella, W. Australia (AU), 6059

(\*\*) Term: **14 Years**

(21) Appl. No.: **29/149,429**

(22) Filed: **Oct. 10, 2001**

(51) **LOC (7) Cl.** ..... **21-01**

(52) **U.S. Cl.** ..... **D21/477**

(58) **Field of Search** ..... D21/324, 326,  
D21/419-435, 477, 811, 833; D14/447,  
451; 280/87.01, 87.021; 463/46, 47, 49;  
434/62, 67, 69, 71; 446/470

(56) **References Cited**

**U.S. PATENT DOCUMENTS**

D195,029 S	*	4/1963	Hotkins	
4,276,030 A	*	6/1981	Radice	434/62
4,464,117 A	*	8/1984	Foerst	434/67
4,960,117 A	*	10/1990	Moncrief et al.	463/46
D392,688 S	*	3/1998	Isetani et al.	D21/326
D407,759 S	*	4/1999	Isetani et al.	D21/326
6,142,877 A	*	11/2000	Nishimura	463/46
D446,263 S	*	8/2001	Heys	D21/477

\* cited by examiner

*Primary Examiner*—Raphael Barkai

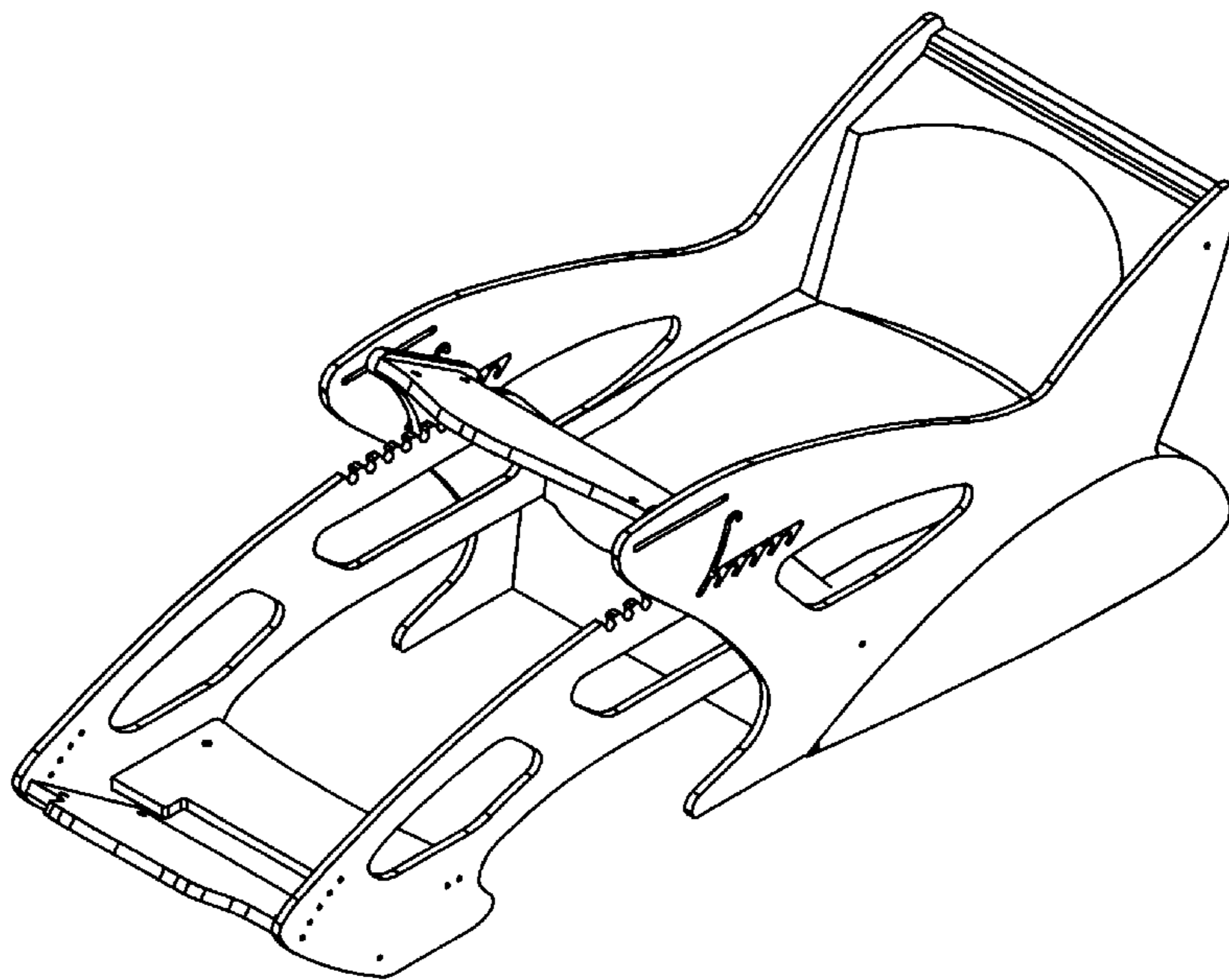
(74) *Attorney, Agent, or Firm*—Dougherty, Clements &  
Hofer

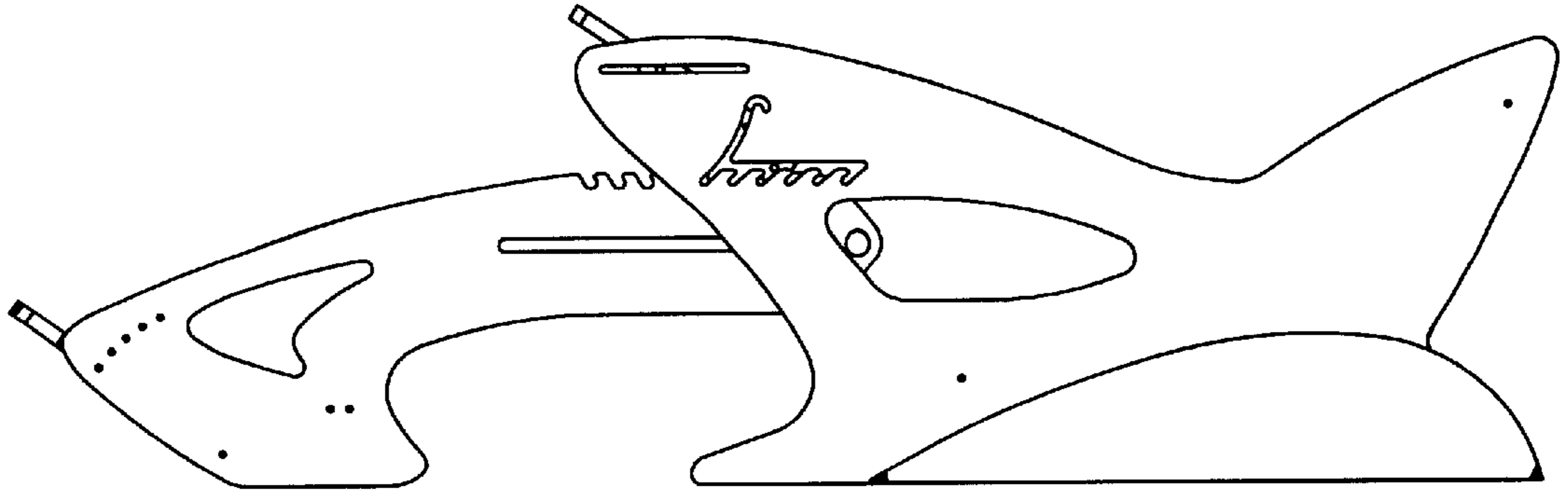
(57) **CLAIM**

The ornamental design for a computer game simulation  
cockpit, as shown and described.

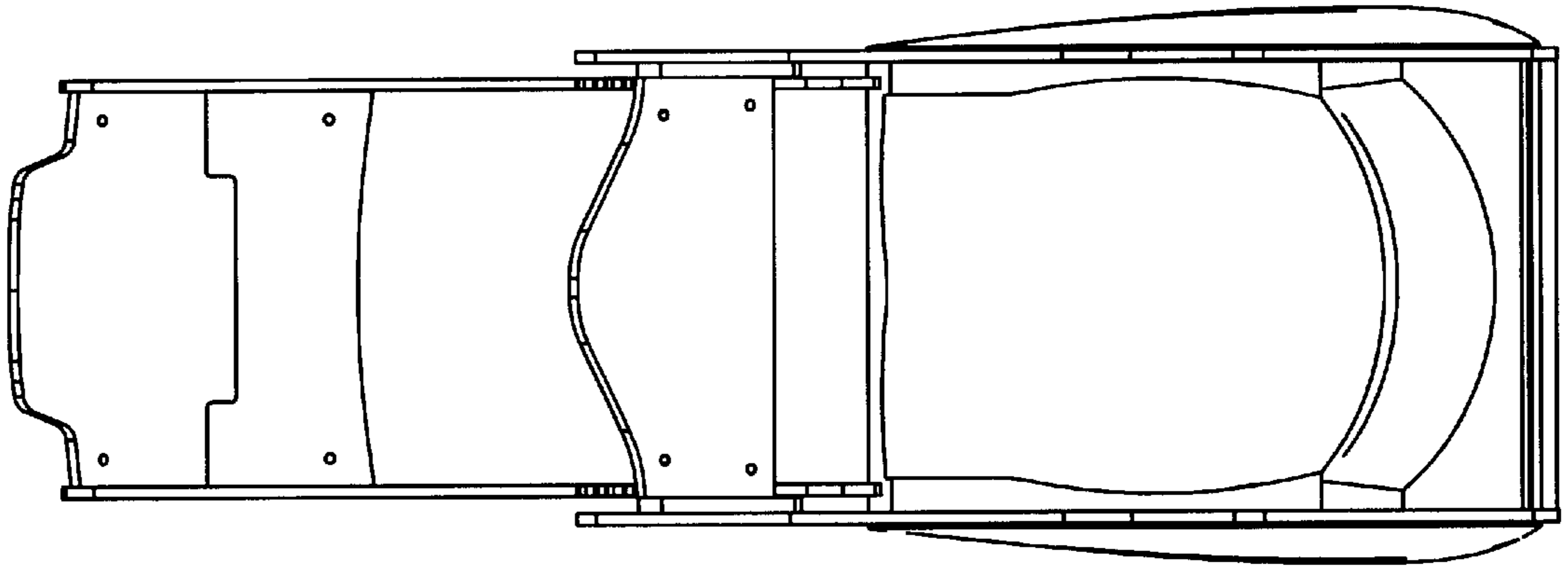
FIG. 1 is a side view of a computer game simulation cockpit showing a first embodiment of my new design;  
 FIG. 2 is a top plan view thereof;  
 FIG. 3 is a first end view thereof;  
 FIG. 4 is a second end view thereof;  
 FIG. 5 is a first perspective view thereof;  
 FIG. 6 is a second perspective view thereof;  
 FIG. 7 is a side view of a computer game simulation cockpit showing a second embodiment of my new design;  
 FIG. 8 is a top plan view thereof;  
 FIG. 9 is a first end view thereof;  
 FIG. 10 is a second end view thereof;  
 FIG. 11 is a first perspective view thereof;  
 FIG. 12 second perspective view thereof;  
 FIG. 13 is a side view of a computer game simulation cockpit showing a third embodiment of my new design;  
 FIG. 14 is a top plan view thereof;  
 FIG. 15 is a first end view thereof;  
 FIG. 16 is a second end view thereof;  
 FIG. 17 is a first perspective view thereof;  
 FIG. 18 is a second perspective view thereof;  
 FIG. 19 is a side view of a computer game simulation cockpit showing a fourth embodiment of my new design;  
 FIG. 20 is a top plan view thereof;  
 FIG. 21 is a first end view thereof;  
 FIG. 22 is a second end view thereof;  
 FIG. 23 is a first perspective view thereof; and,  
 FIG. 24 is a second Perspective view thereof.

**1 Claim, 8 Drawing Sheets**

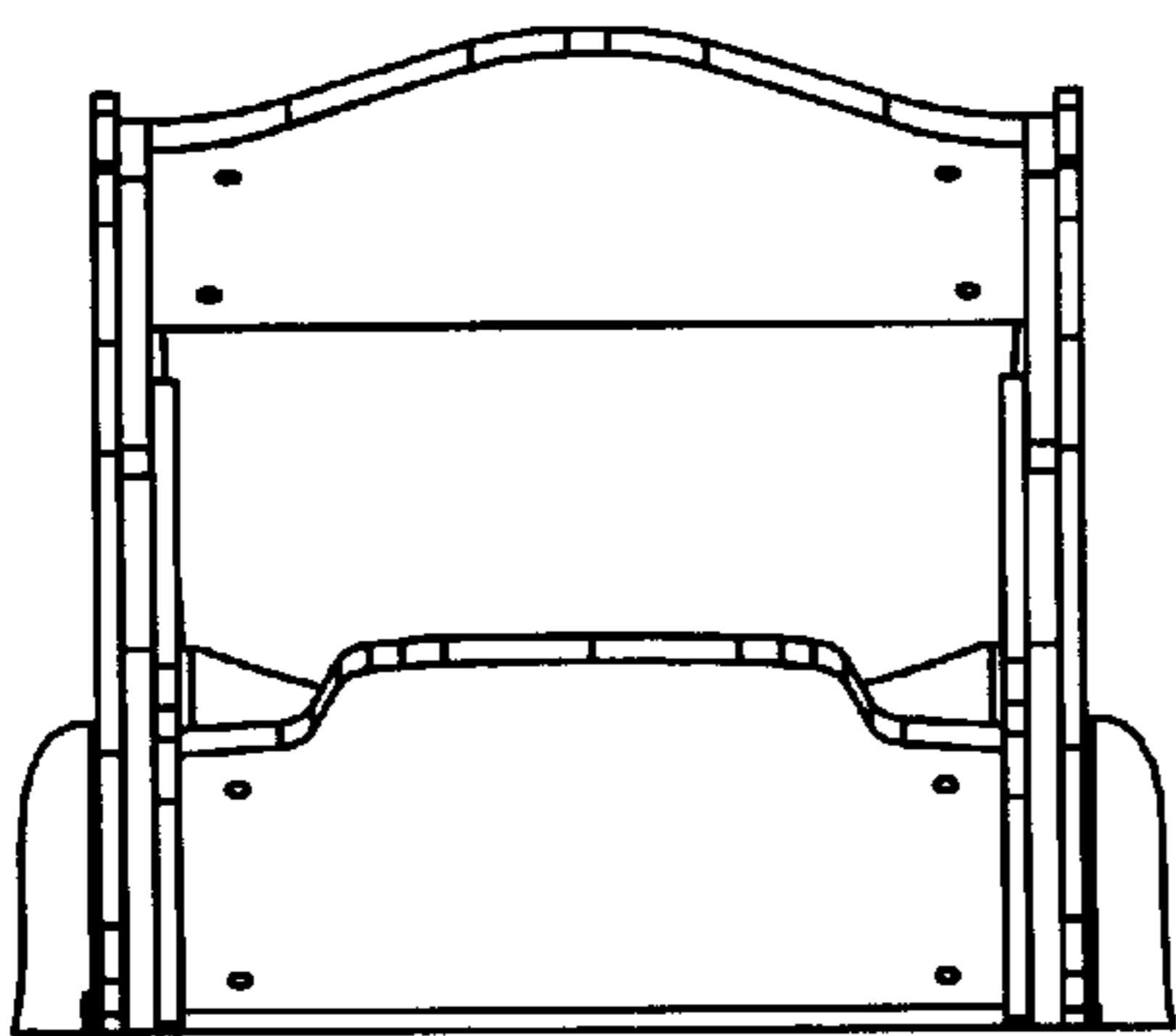




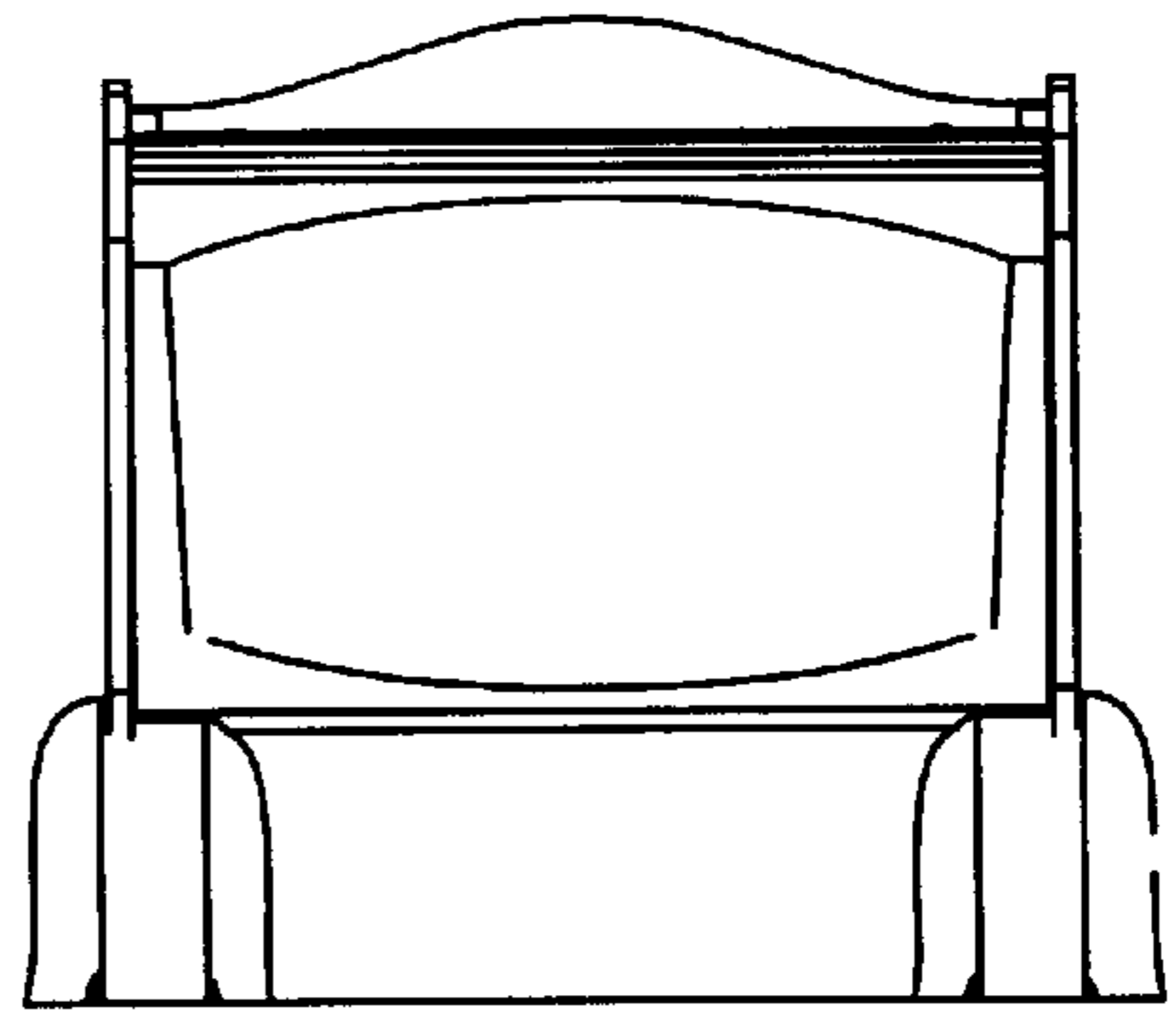
**Fig. 1,**



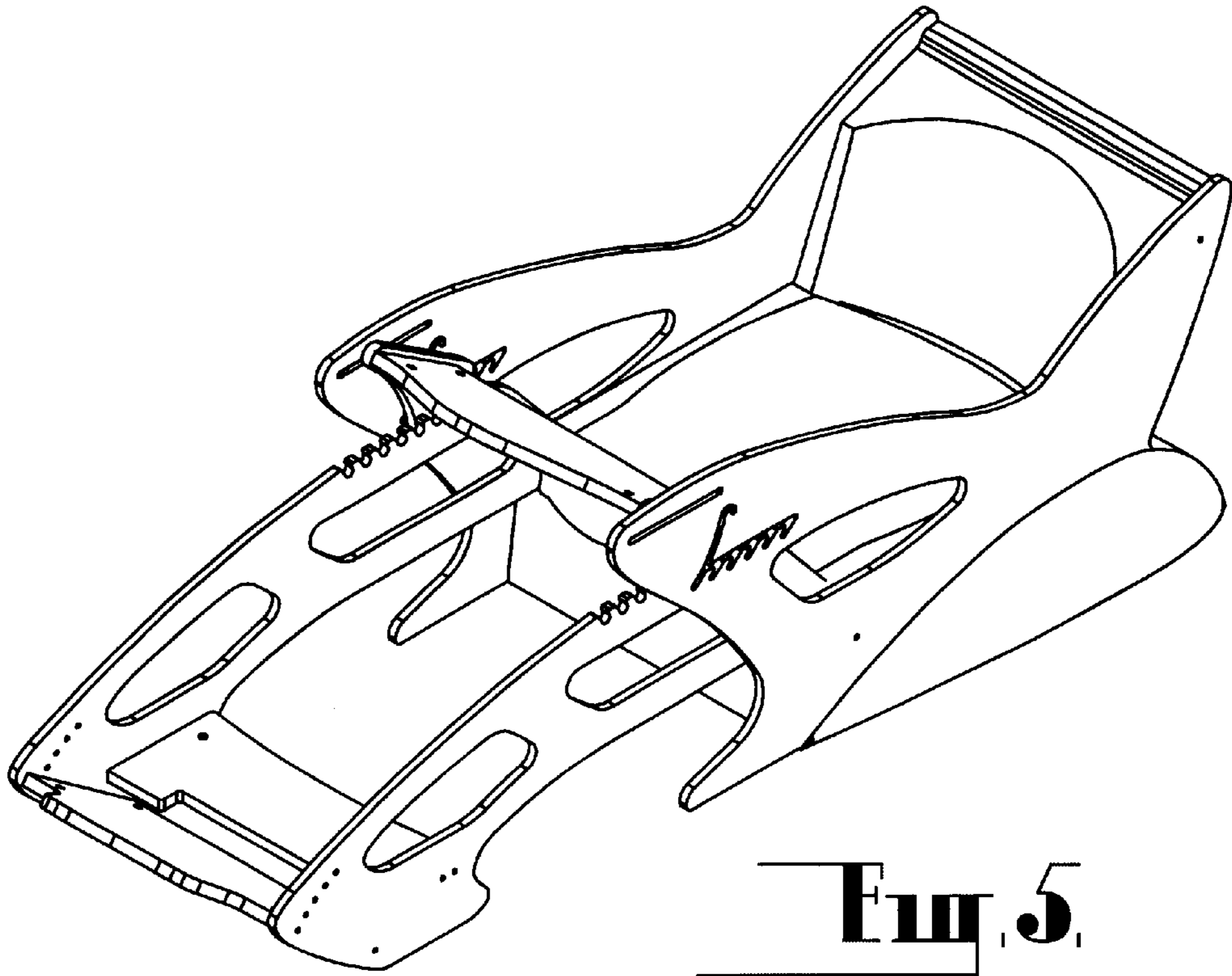
**Fig. 2,**



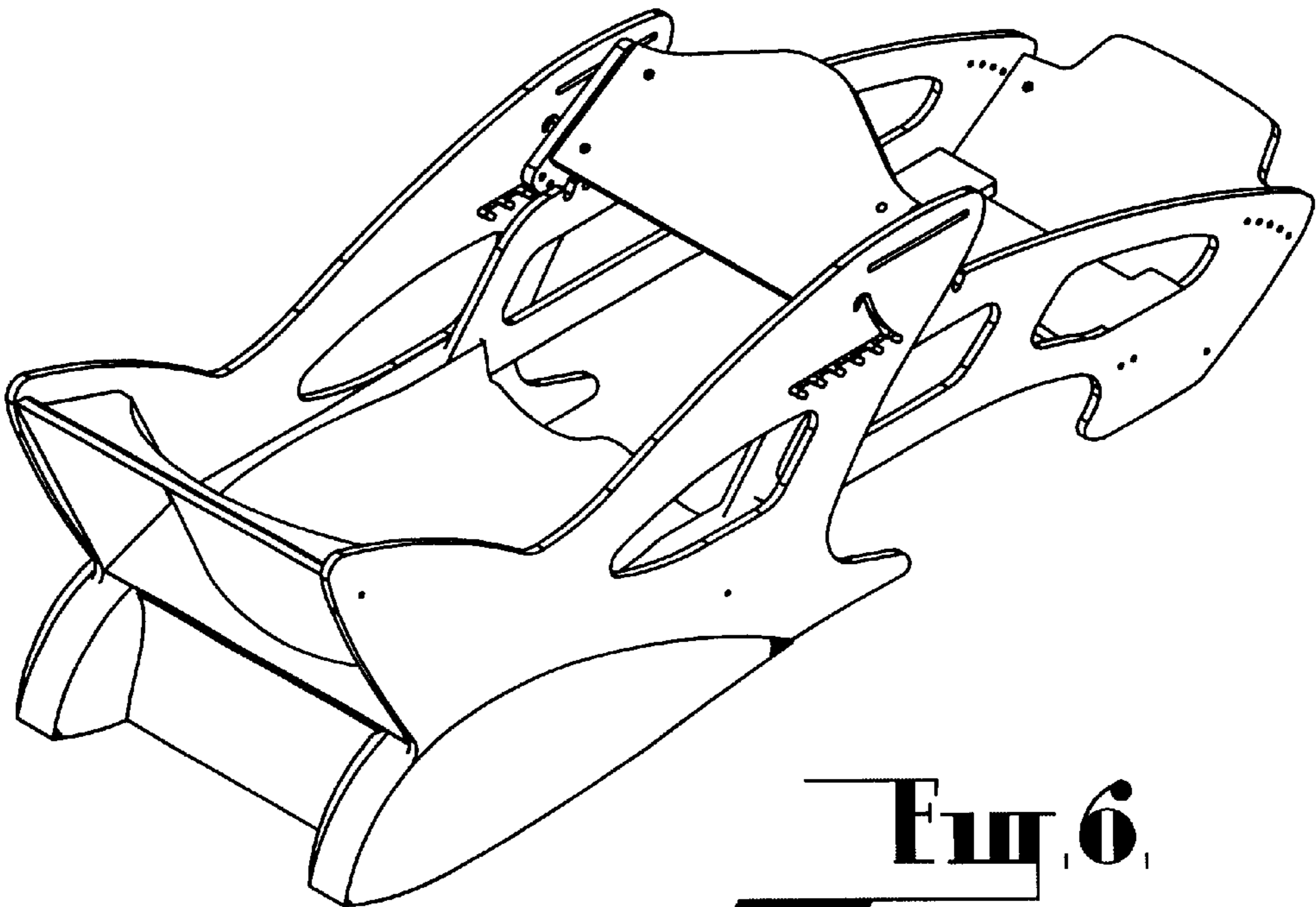
**Fig. 3,**



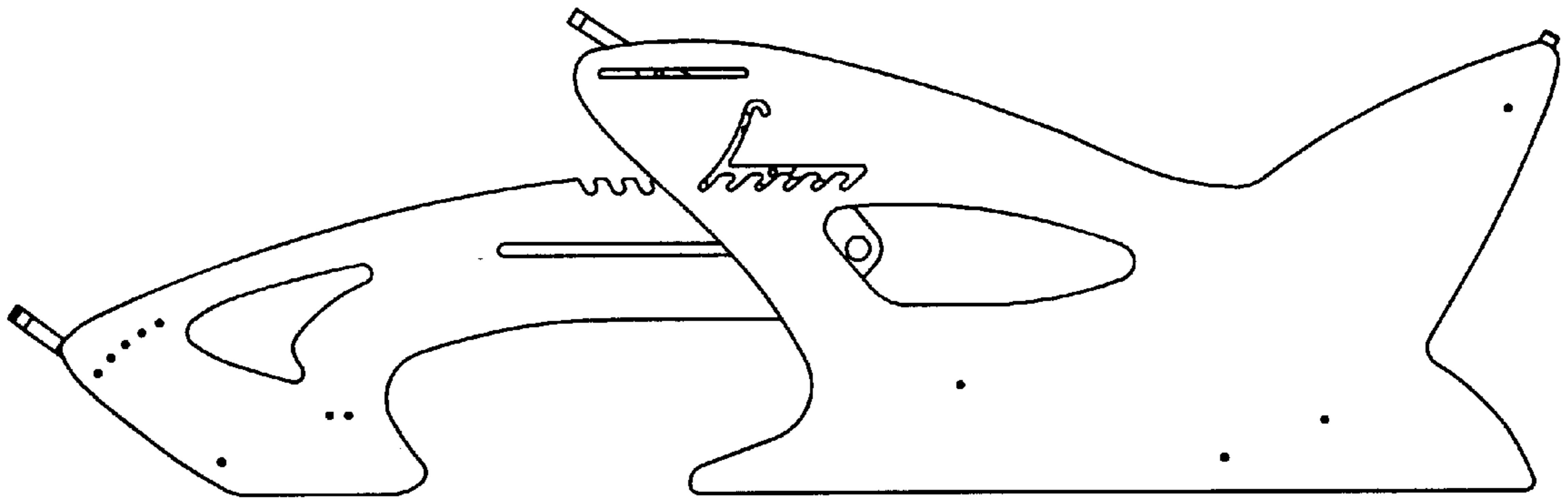
**Fig. 4,**



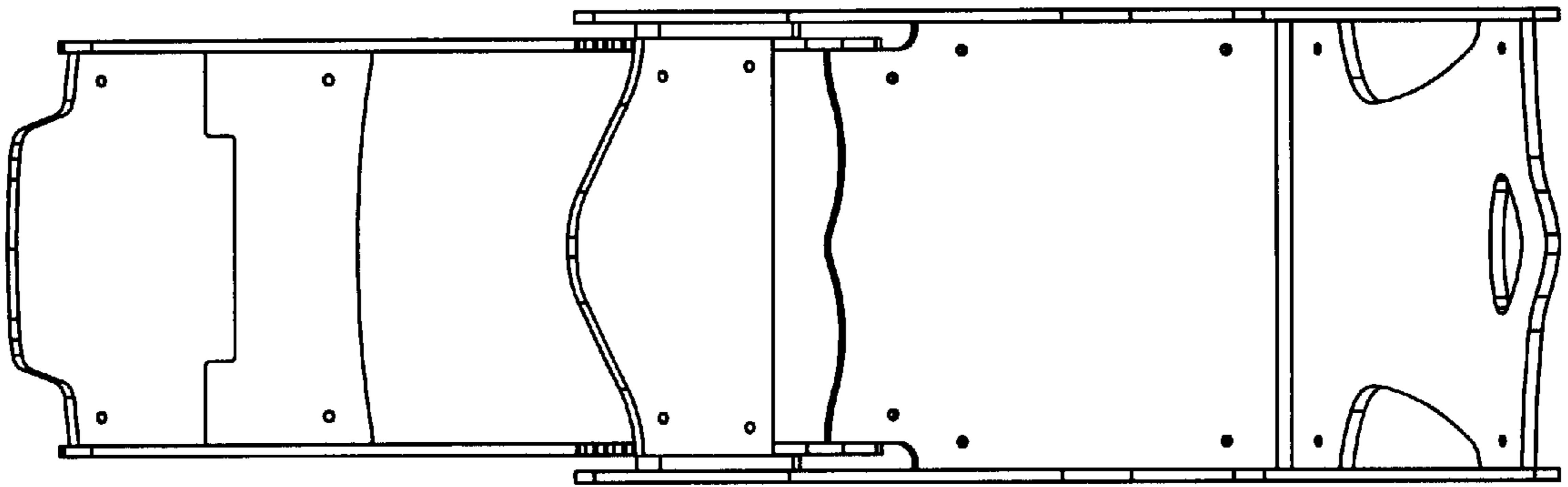
**Fig. 5.**



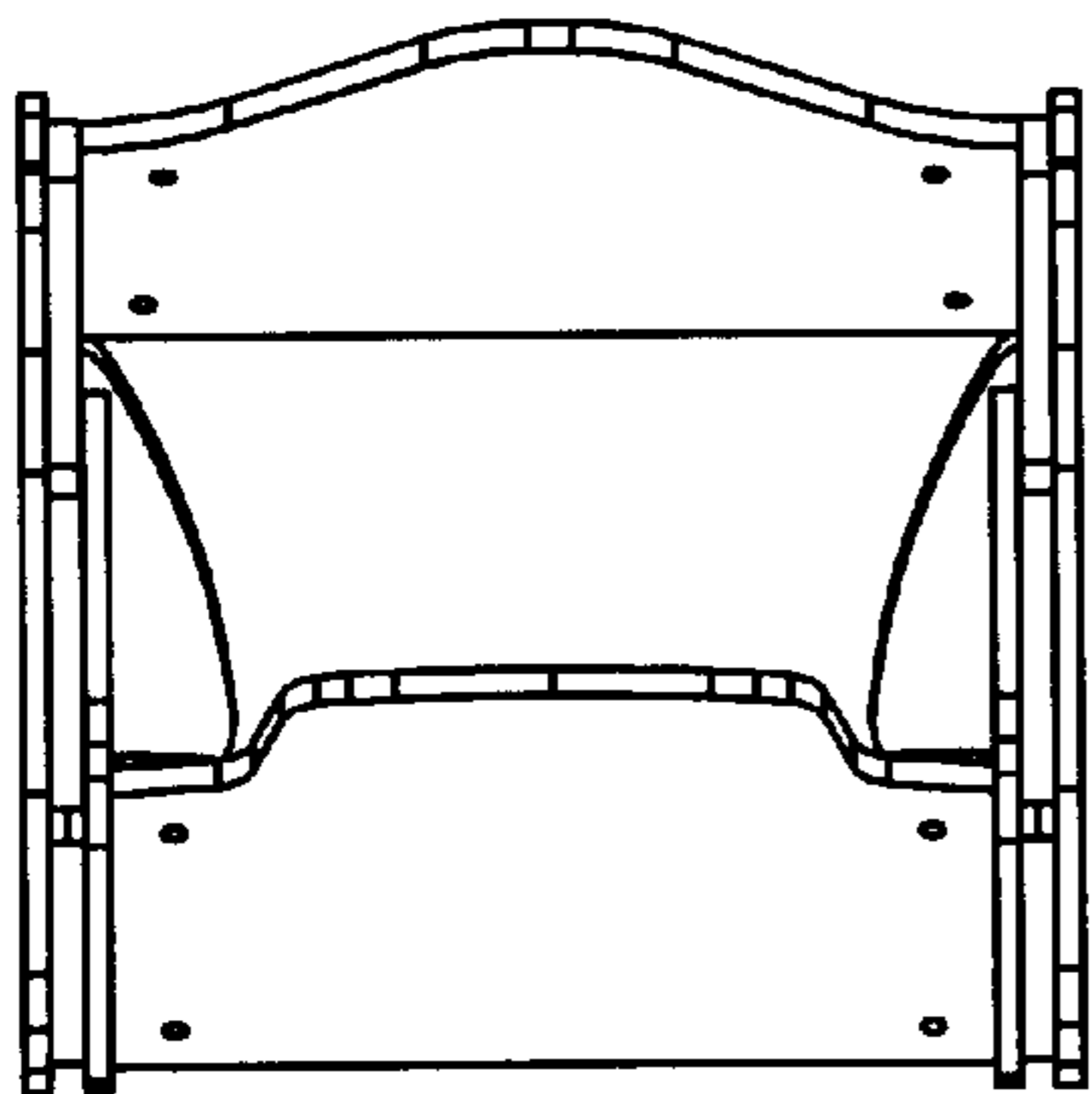
**Fig. 6.**



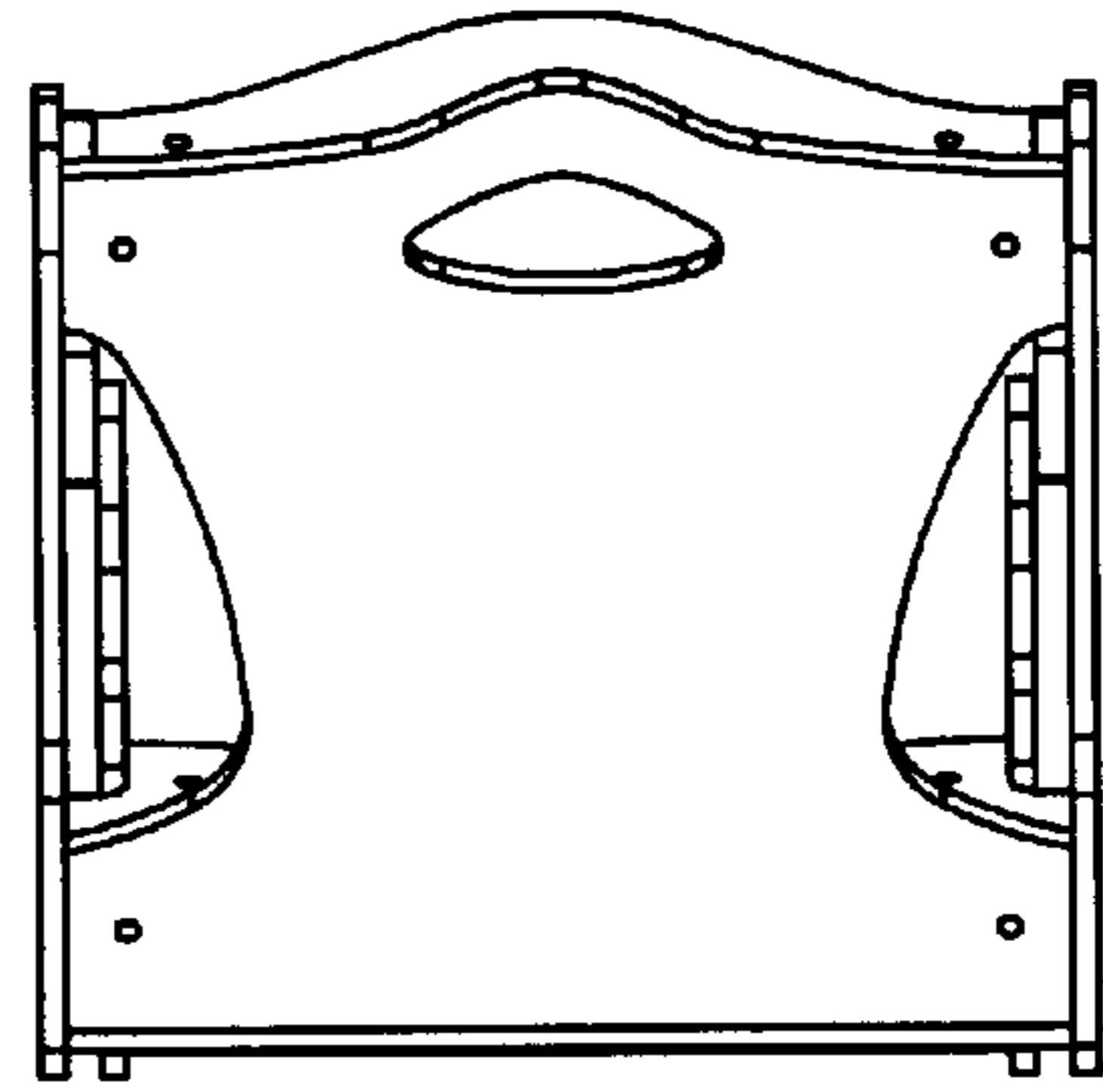
**Fig. 7.**



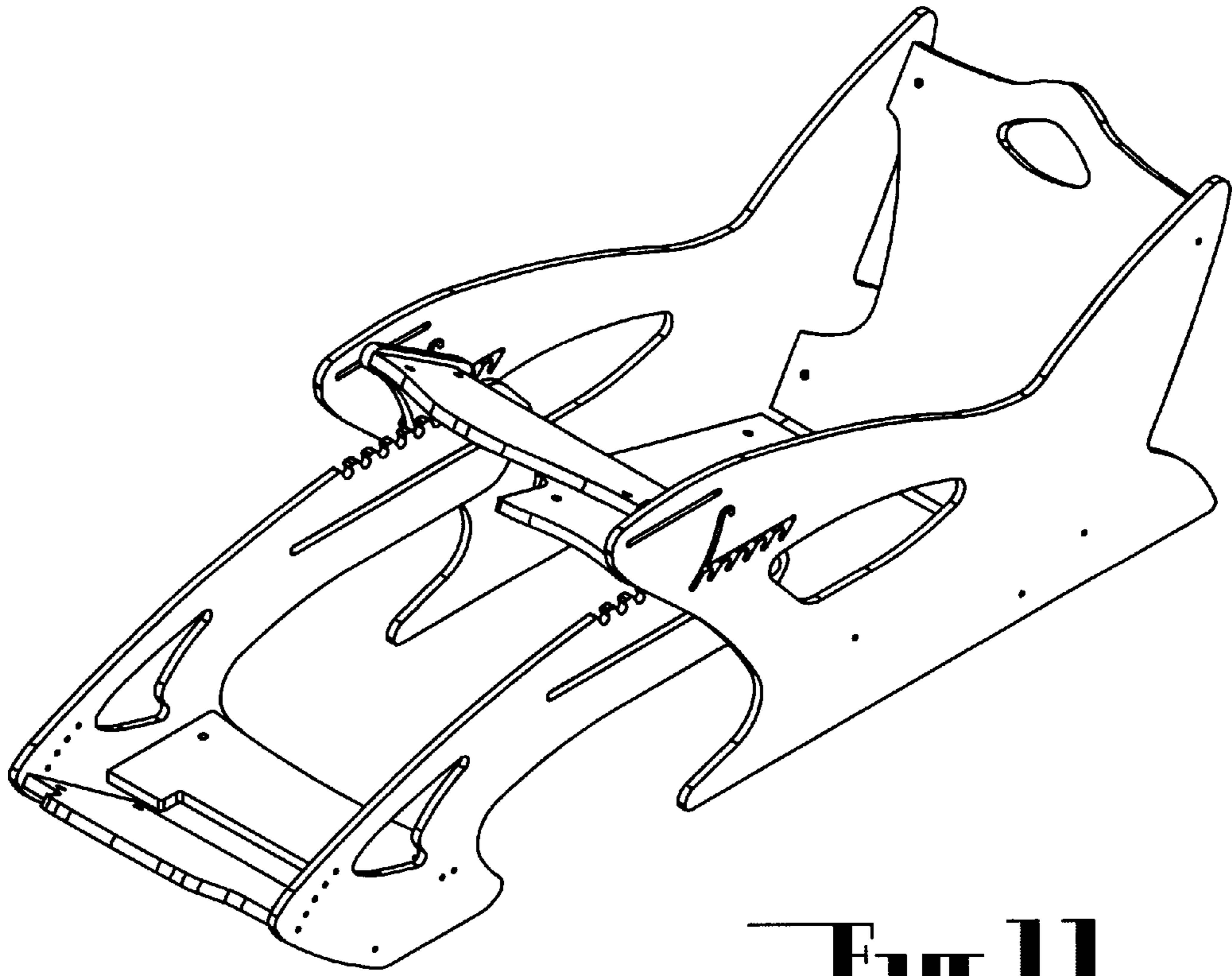
**Fig. 8.**



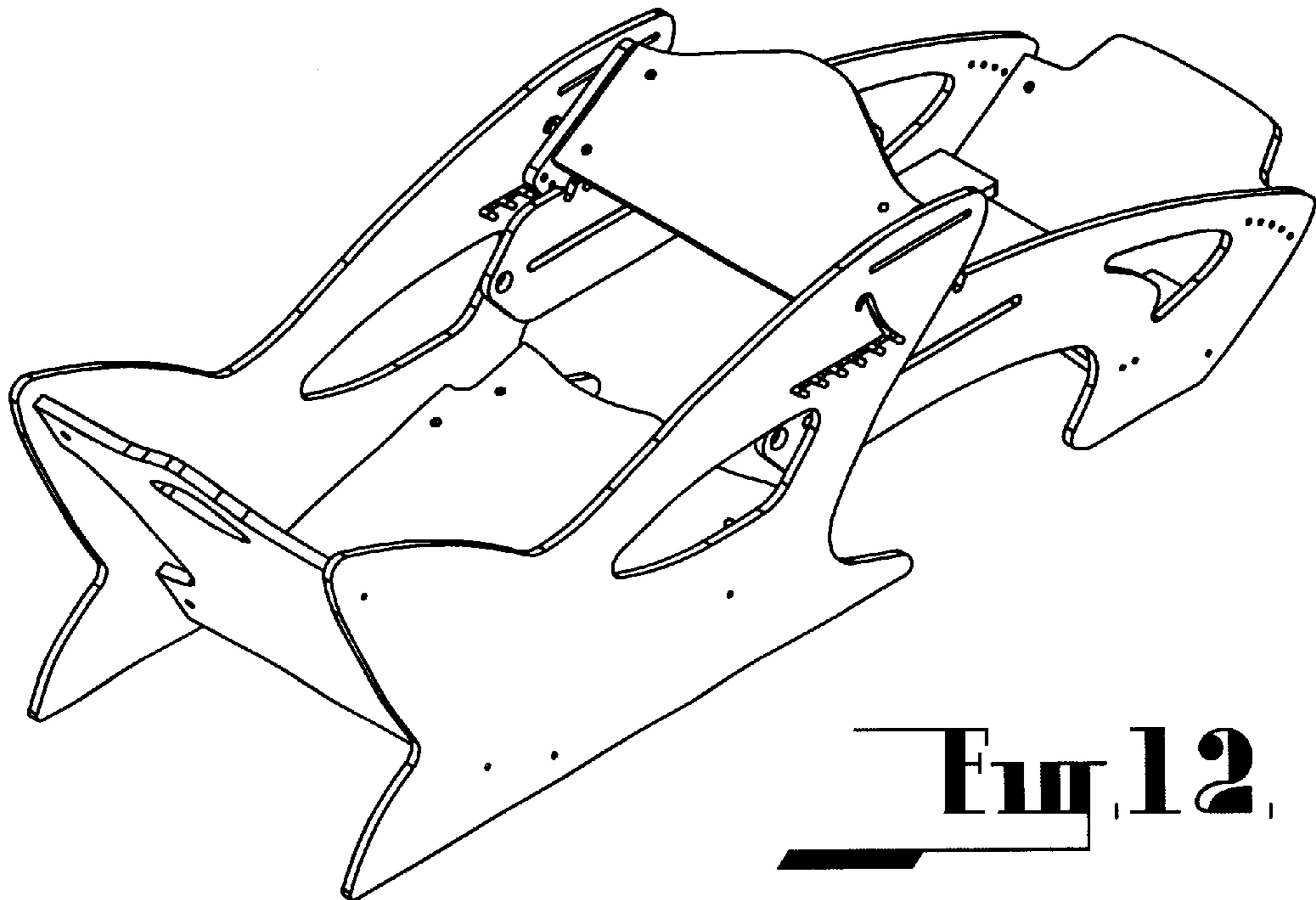
**Fig. 9.**



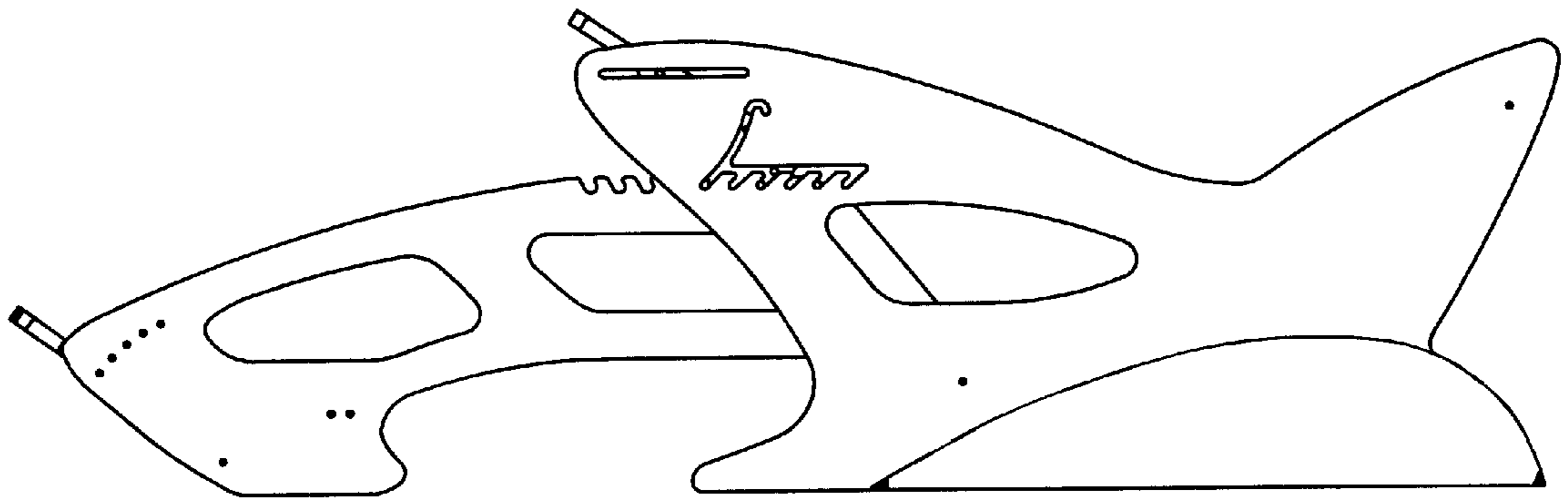
**Fig. 10.**



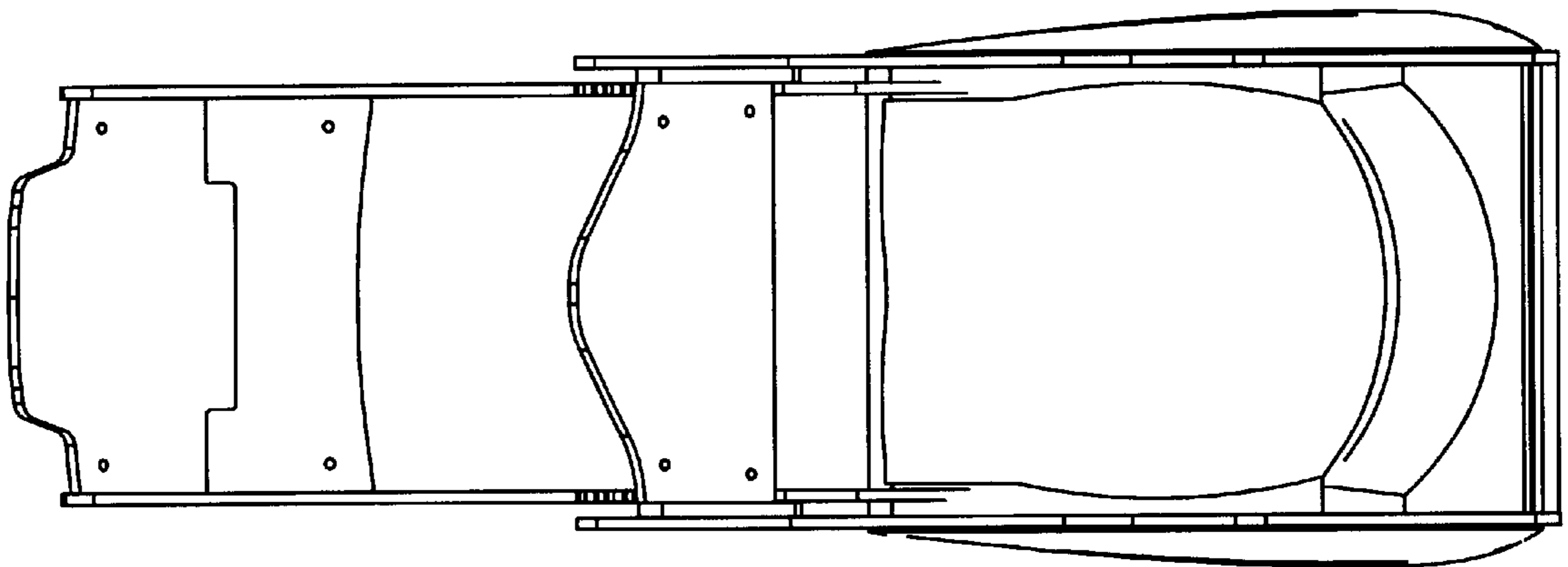
**Fig. 11.**



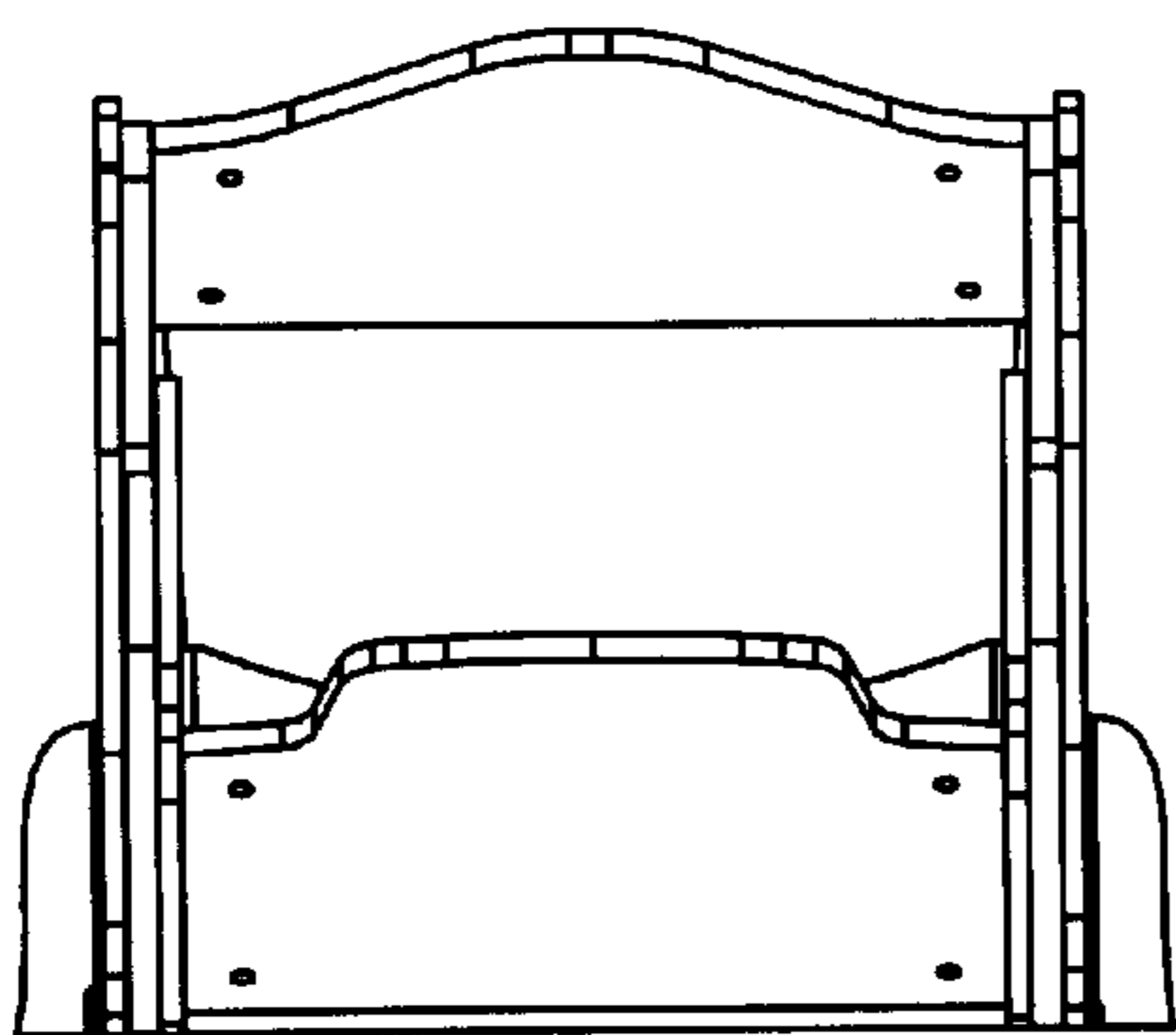
**Fig. 12.**



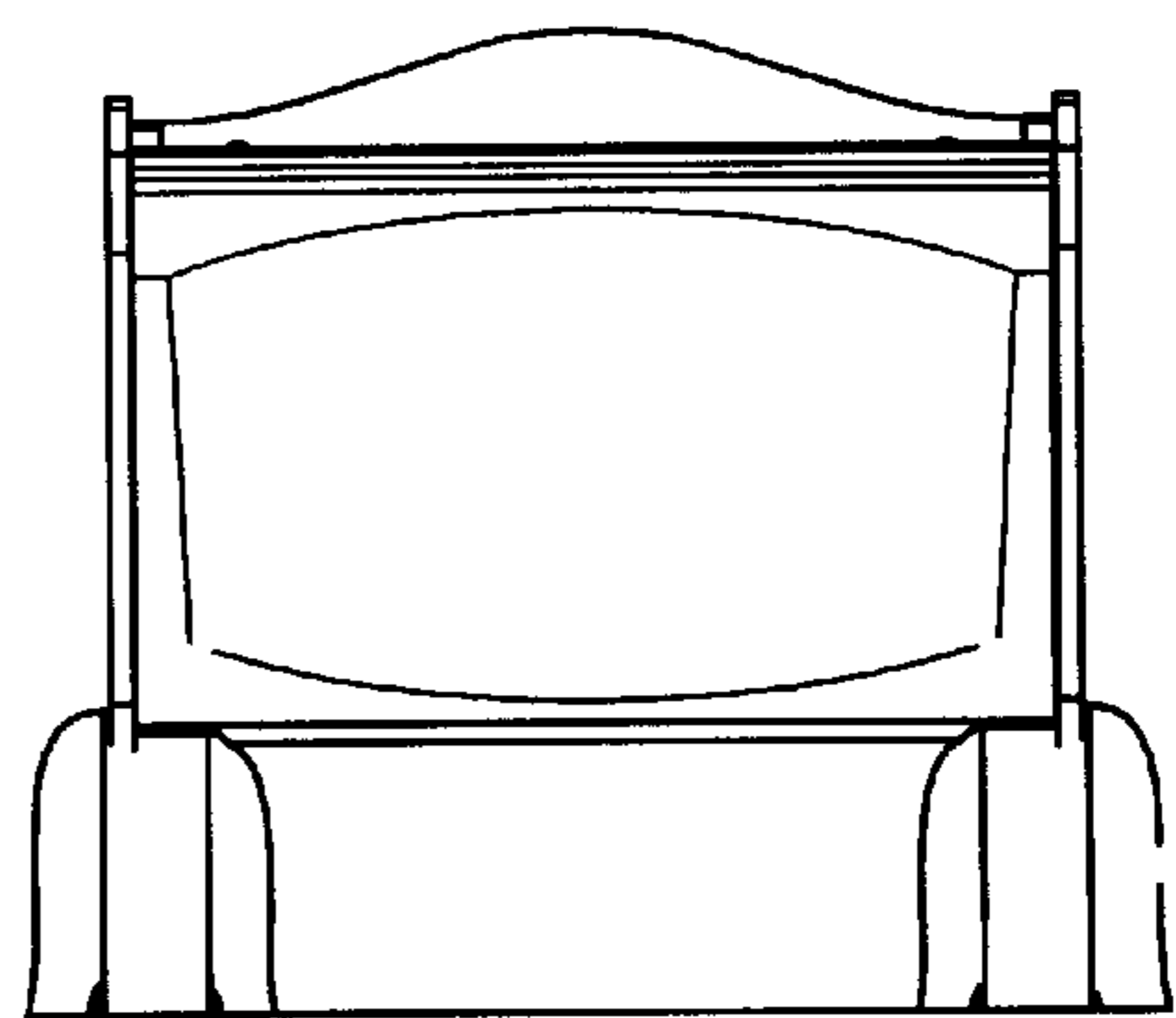
**Fig. 13,**



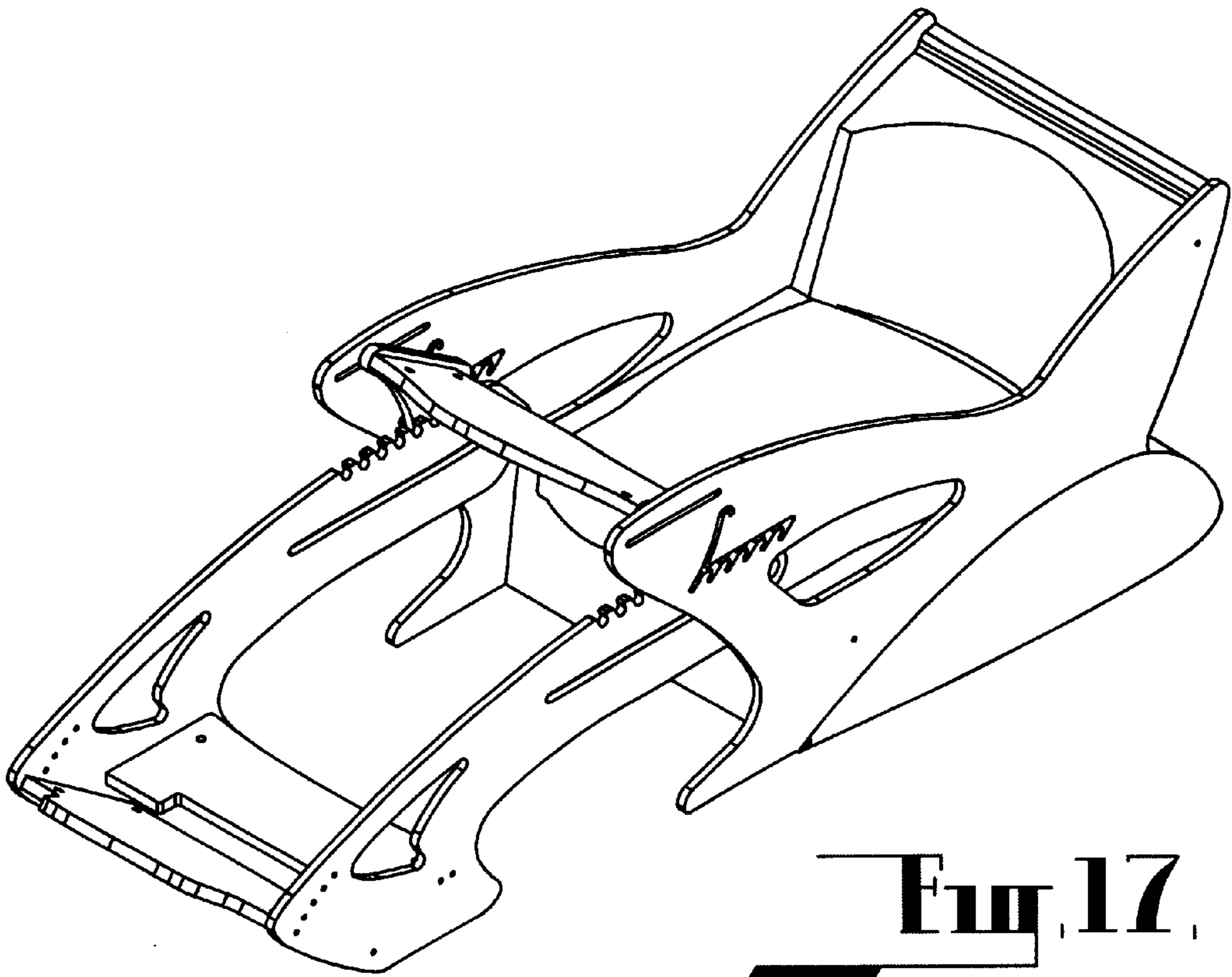
**Fig. 14,**



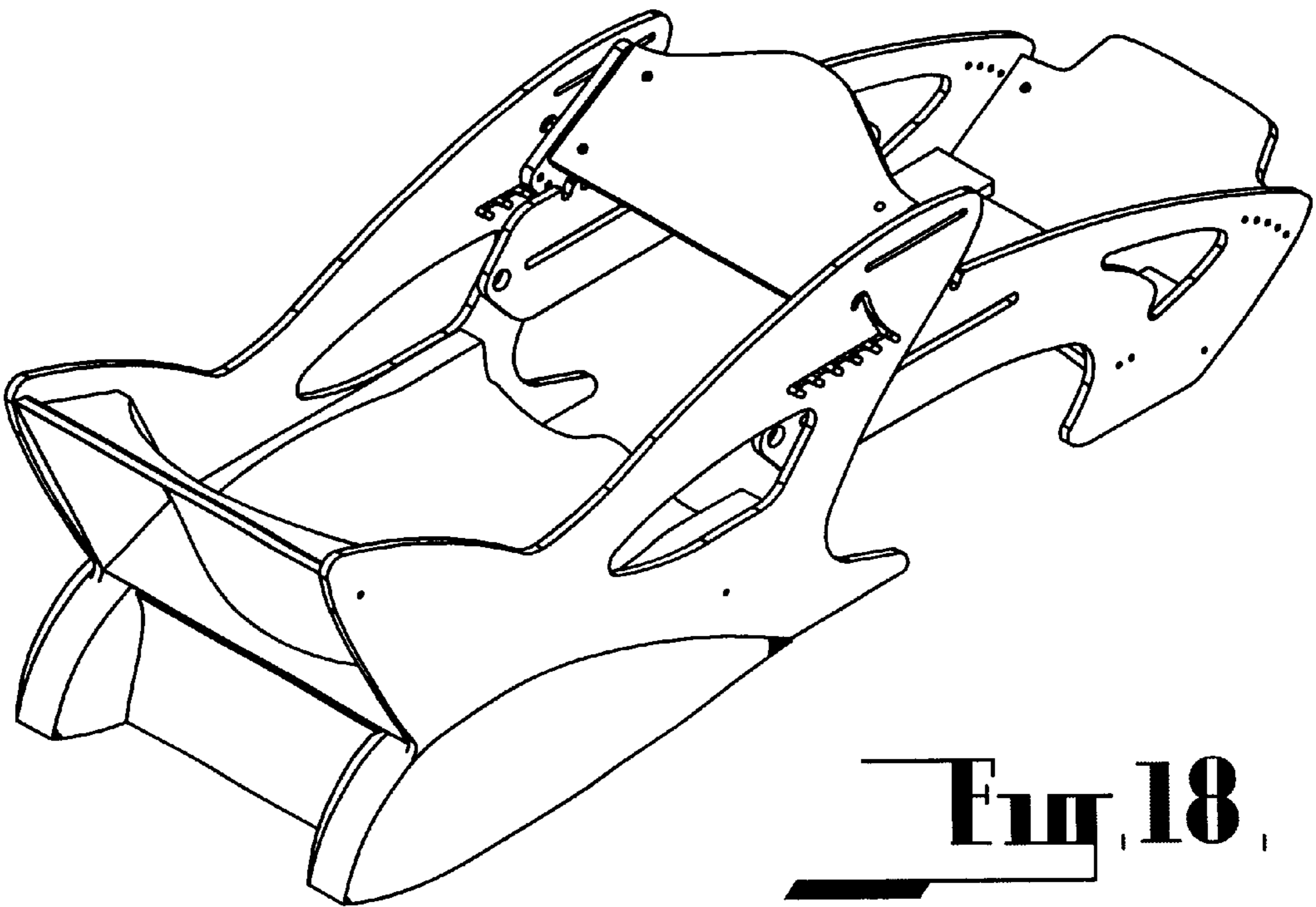
**Fig. 15,**



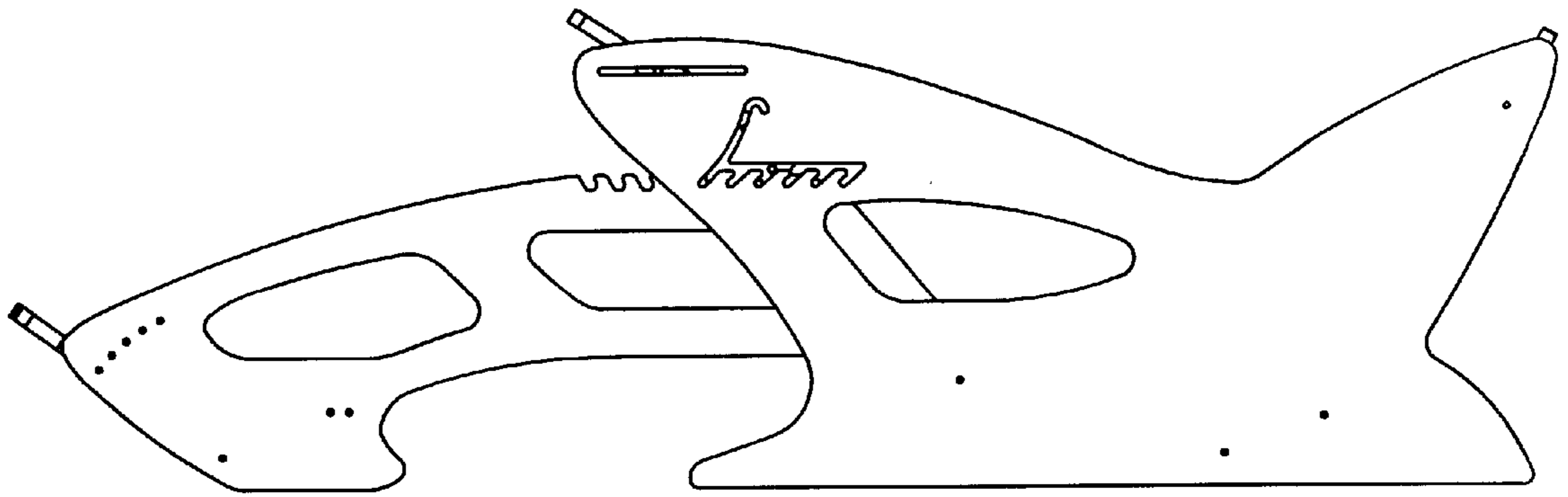
**Fig. 16,**



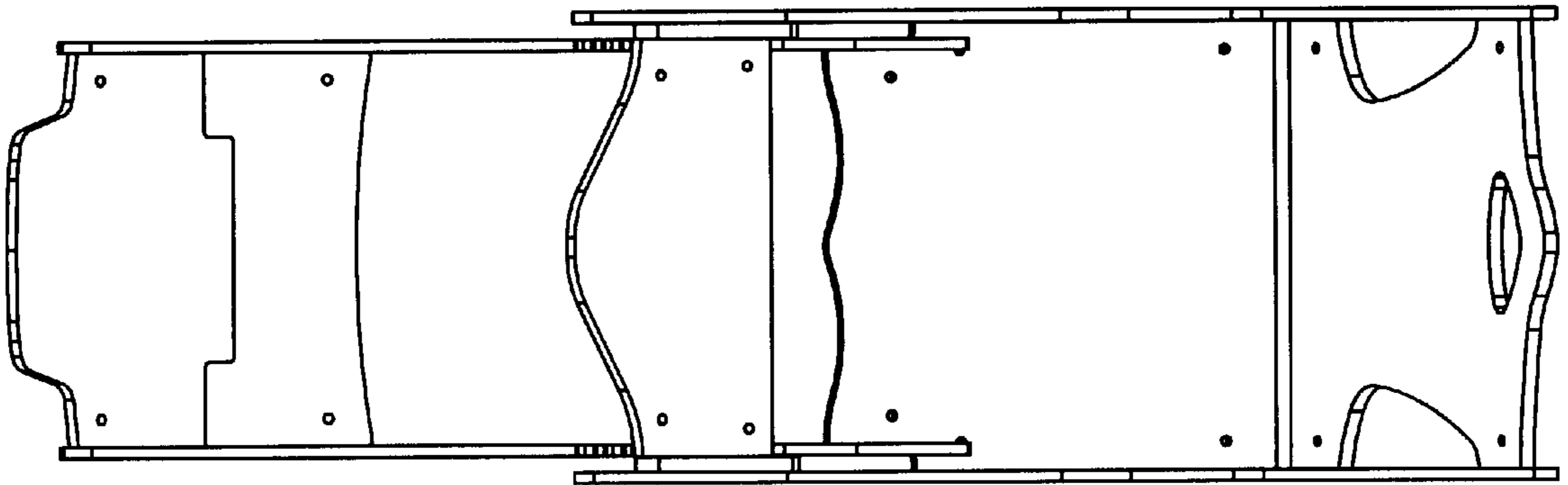
**Fig. 17.**



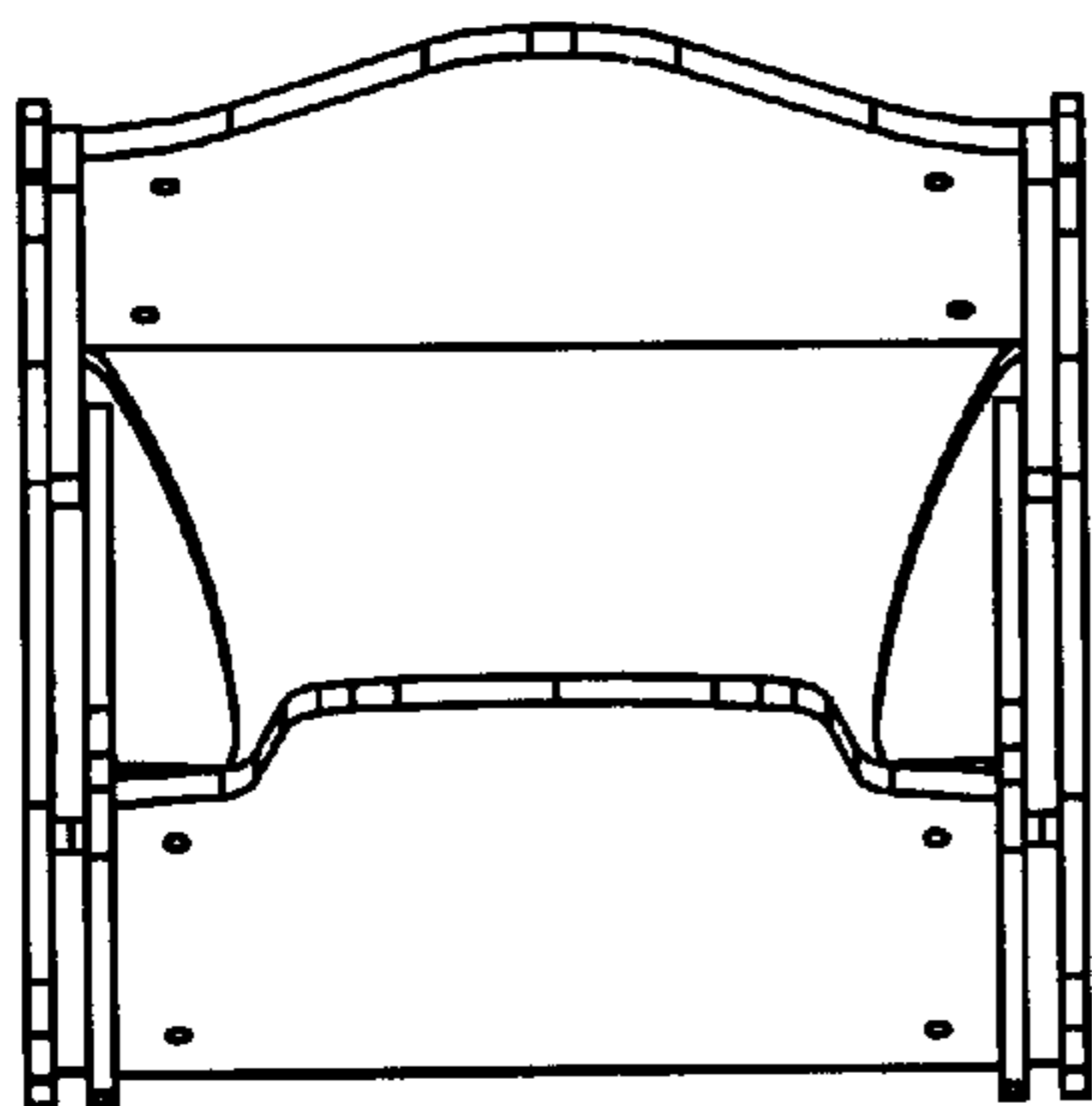
**Fig. 18.**



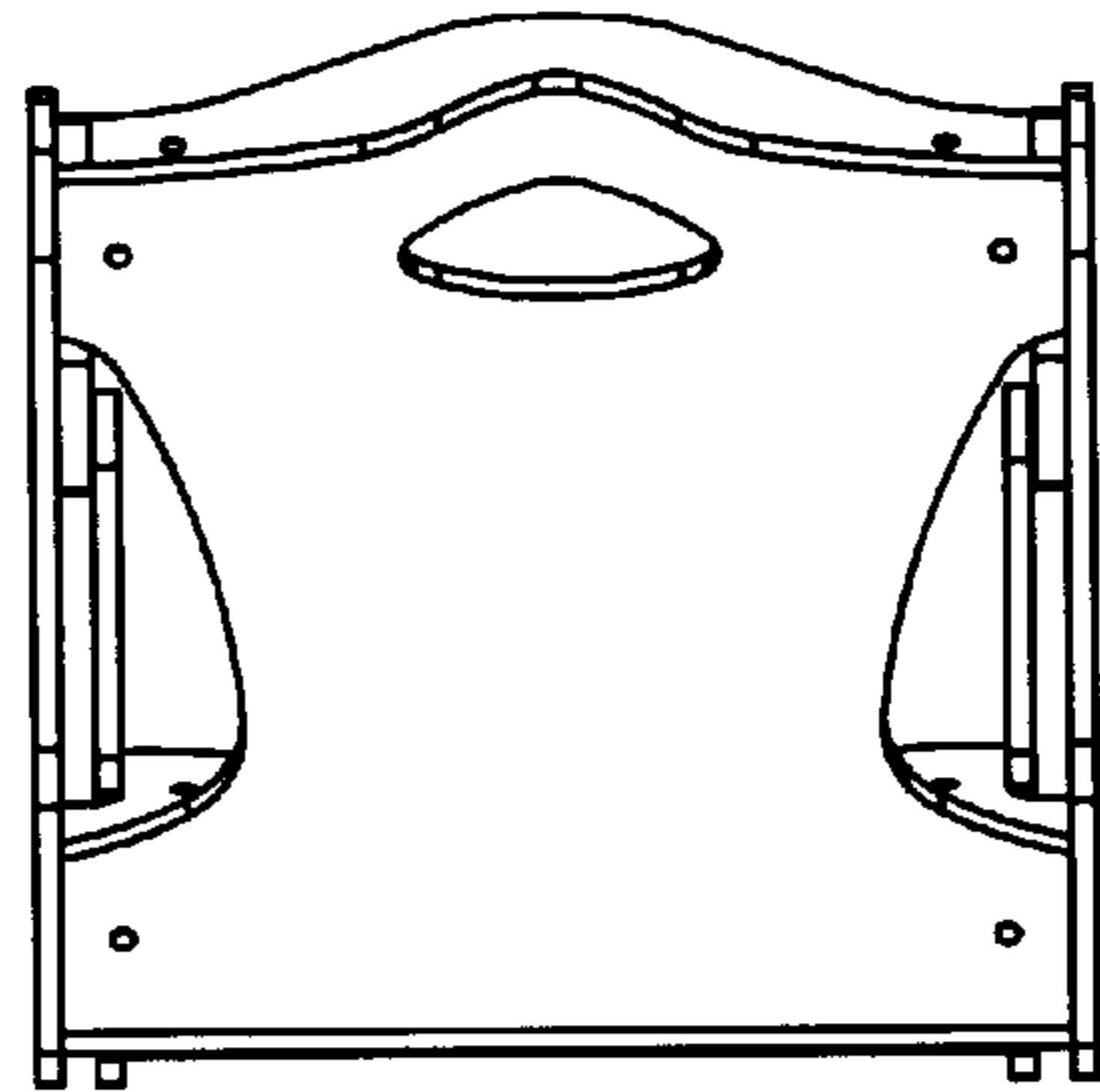
**Fig. 19**



**Fig. 20**



**Fig. 21**



**Fig. 22**



