



US00D470897S

(12) **United States Design Patent**  
**Morgan**

(10) **Patent No.:** **US D470,897 S**

(45) **Date of Patent:** **\*\* Feb. 25, 2003**

(54) **GAME BOARD**

(76) Inventor: **David P. Morgan**, Box 190, Dundurn, Saskatchewan (CA), S0K 1K0

(\*\*) Term: **14 Years**

(21) Appl. No.: **29/156,328**

(22) Filed: **Feb. 28, 2002**

(51) **LOC (7) Cl.** ..... **21-01**

(52) **U.S. Cl.** ..... **D21/335; D21/364**

(58) **Field of Search** ..... **D21/334-368;**  
**273/236-288**

(56) **References Cited**

**U.S. PATENT DOCUMENTS**

D26,500 S	*	1/1897	Heverly	.....	D21/346
D57,160 S	*	2/1921	Stadnick	.....	D21/366
2,218,998 A	*	10/1940	Weiss	.....	273/284
D397,160 S	*	8/1998	Watanabe	.....	D21/365
D450,779 S	*	11/2001	Ko	.....	D21/335

\* cited by examiner

*Primary Examiner*—Sandra L. Morris

(74) *Attorney, Agent, or Firm*—Ryan W. Dupuis

(57) **CLAIM**

The ornamental design for a game board, as shown and described.

**DESCRIPTION**

FIG. 1 is a top plan view of the game board unfolded with a handle of the game board shown separated.

FIG. 2 is a side elevational view from the lower side of FIG. 1.

FIG. 3 is a side elevational view from the upper side of FIG. 1.

FIG. 4 is an underside plan view of the game board unfolded.

FIG. 5 is a left side elevational view of FIG. 1.

FIG. 6 is a right side elevational view of FIG. 1.

FIG. 7 is a top plan view of the game board with one panel folded and the handle attached thereto.

FIG. 8 is a top plan view of the game board with two panels folded and the handle attached thereto.

FIG. 9 is a top plan view of the game board with three panels folded and the handle attached thereto.

FIG. 10 is a top plan view of the game board with all four panels folded and the handle attached thereto.

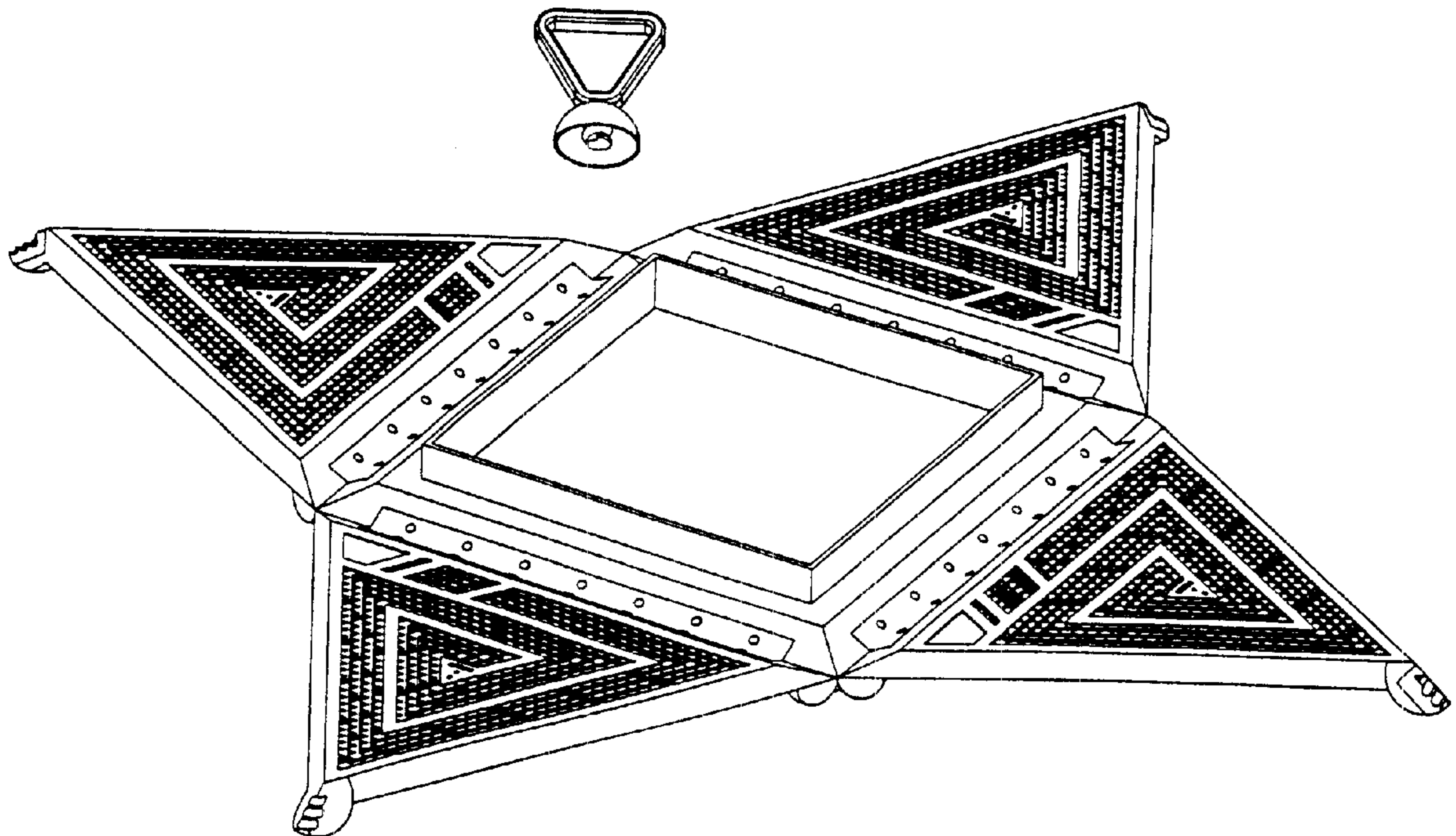
FIG. 11 is a side elevational view of FIG. 10.

FIG. 12 is an isometric view of the game board of FIG. 9 shown with all four panels folded and the handle attached thereto.

FIG. 13 is an isometric view of FIG. 8 shown with two panels folded and the handle separated; and,

FIG. 14 is an isometric view of FIG. 1.

**1 Claim, 6 Drawing Sheets**



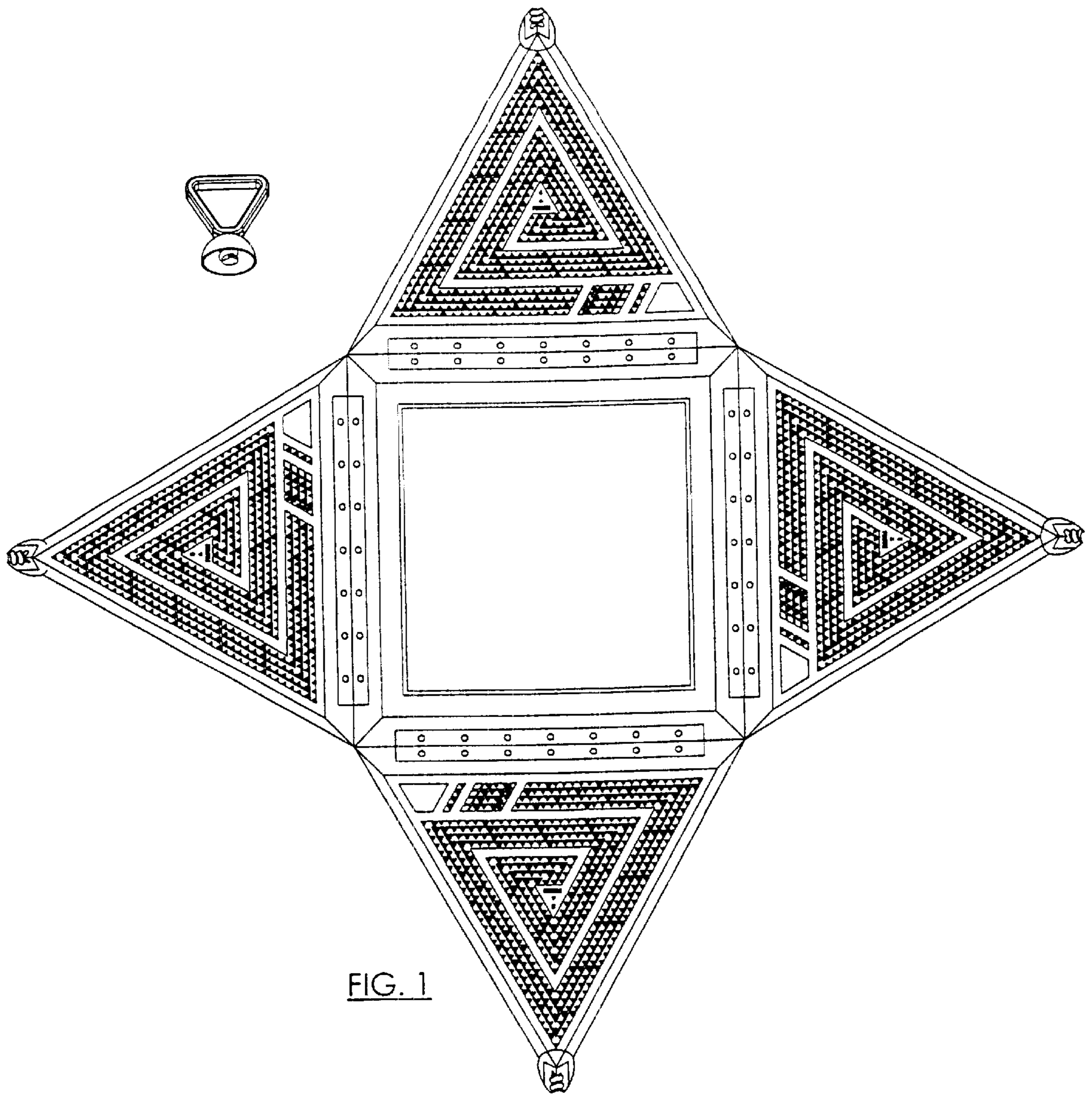


FIG. 1

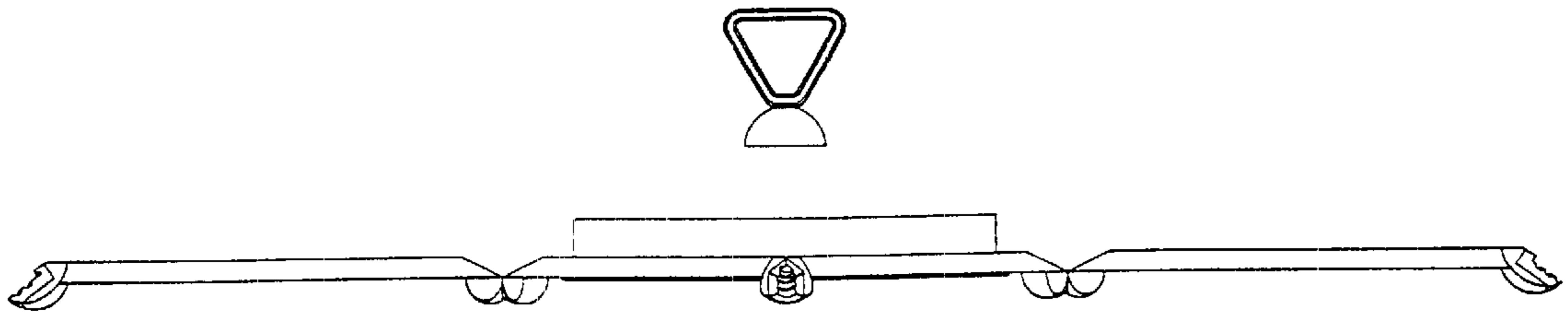


FIG. 2

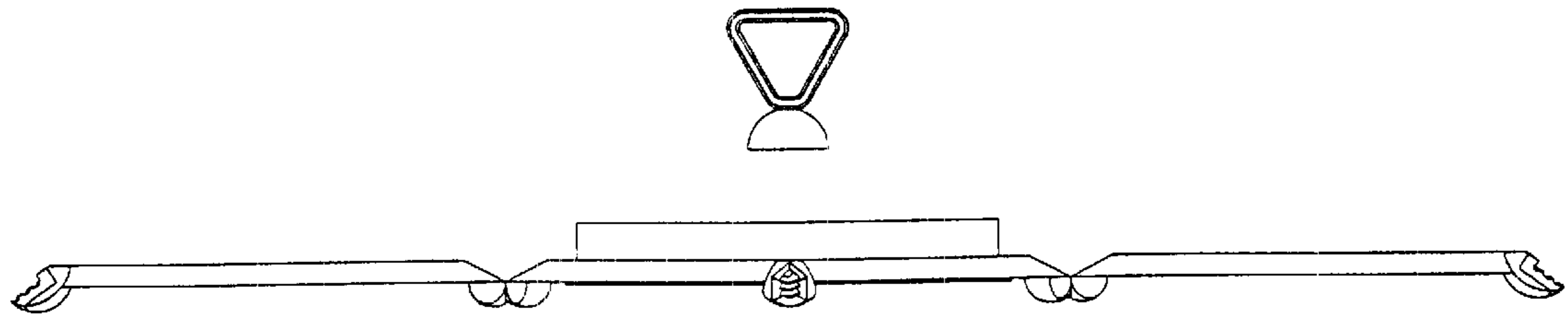


FIG. 3

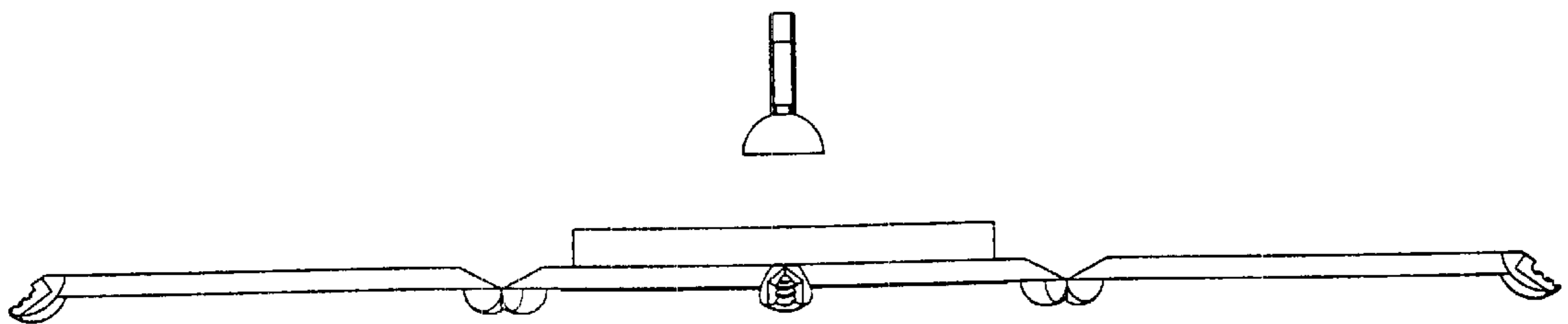


FIG. 5

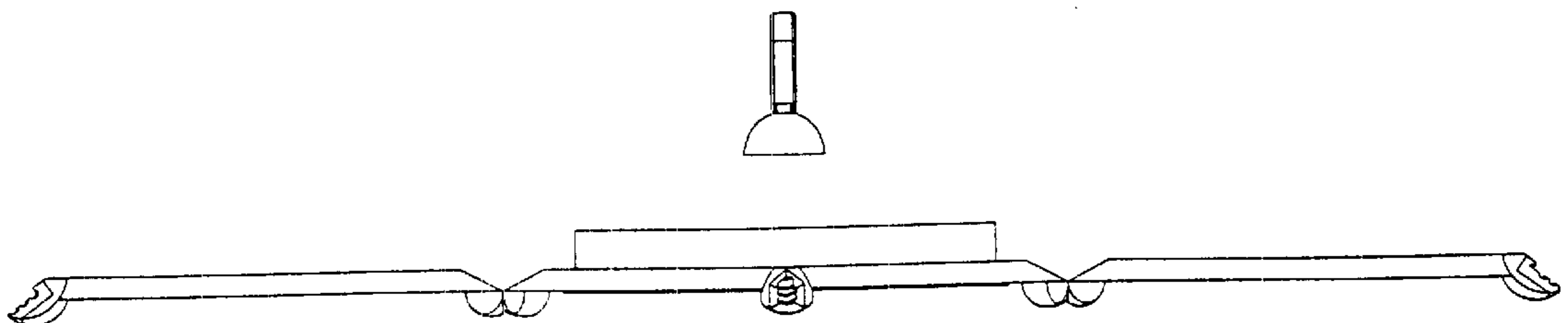


FIG. 6

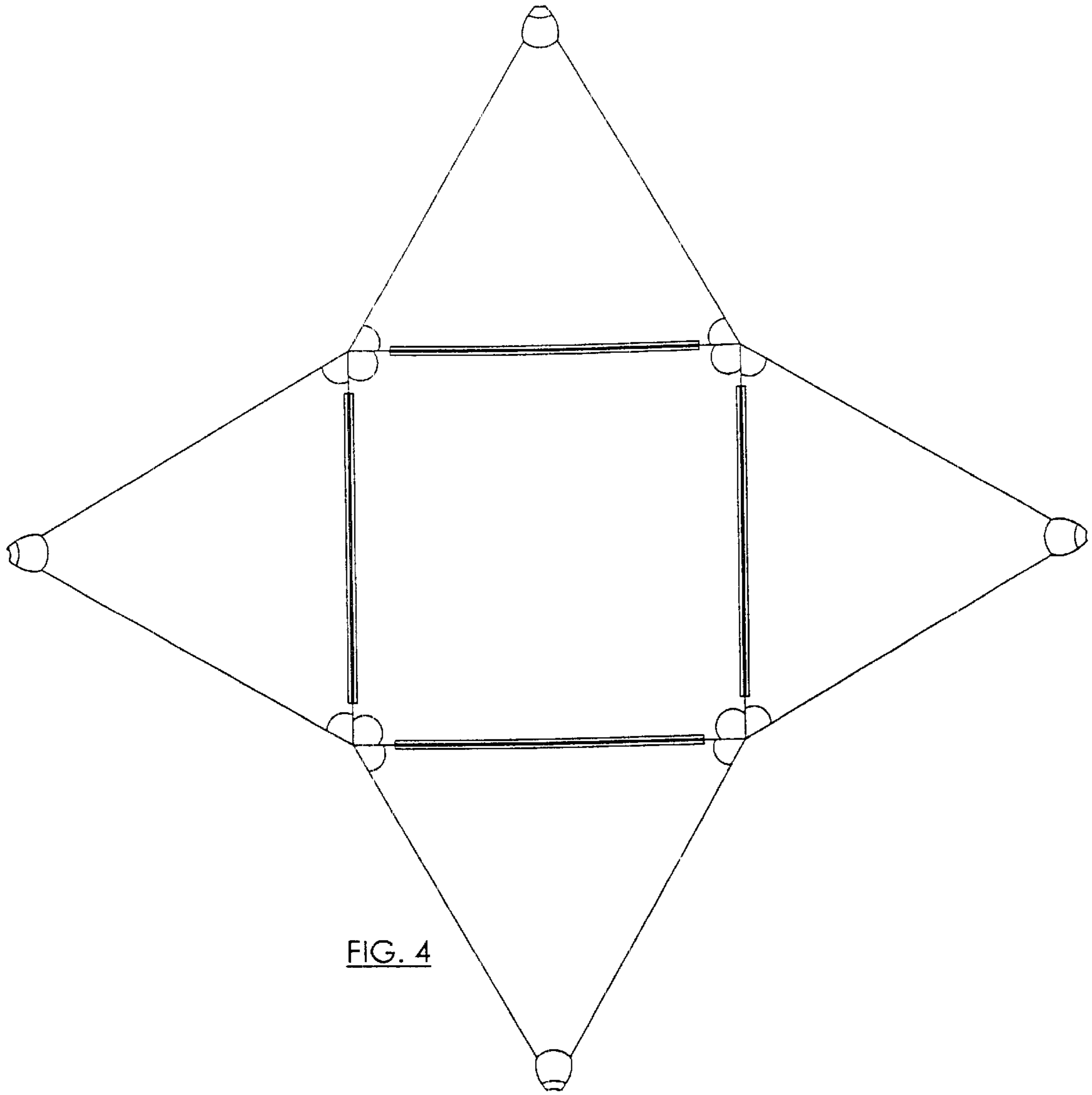
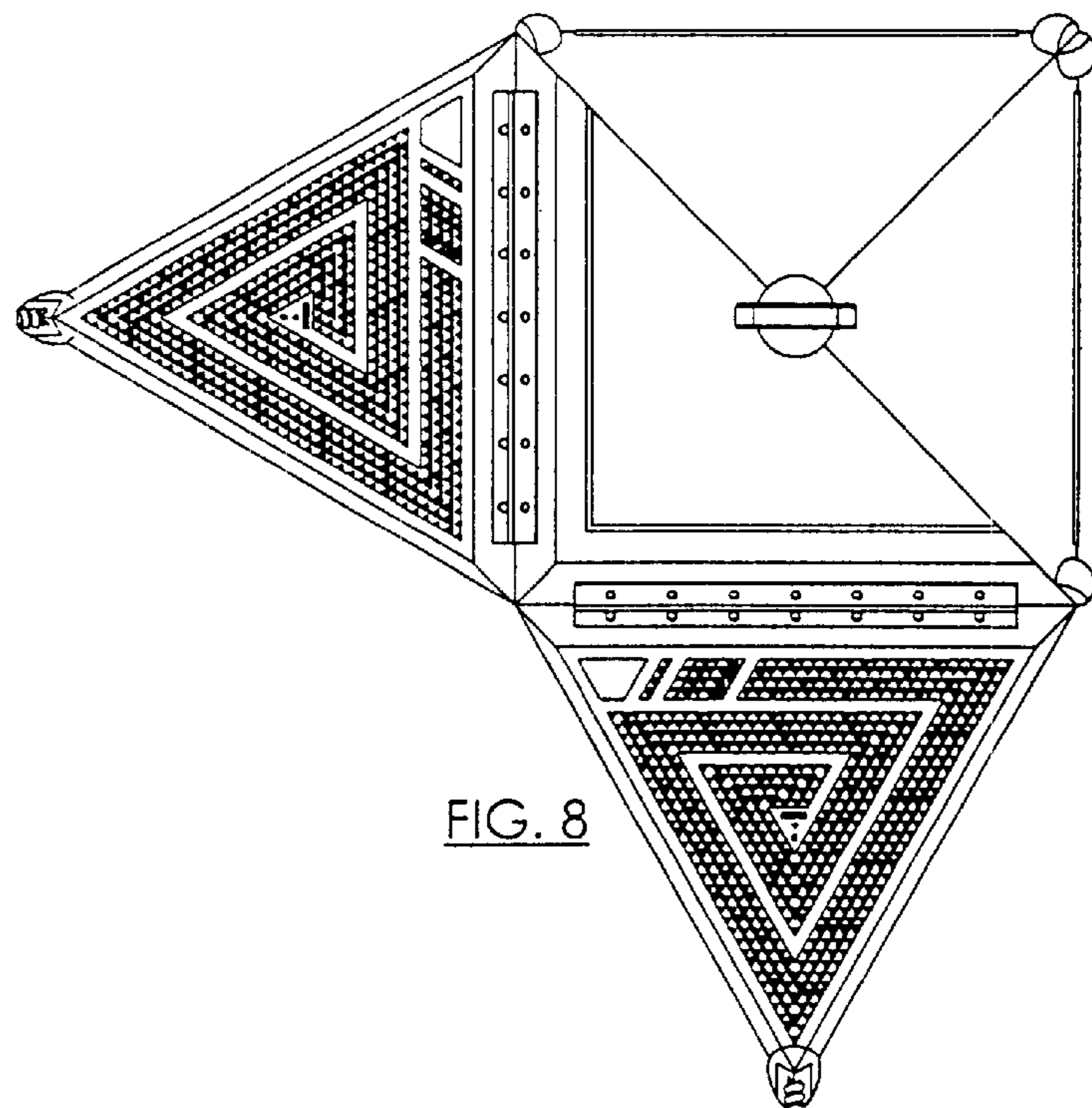
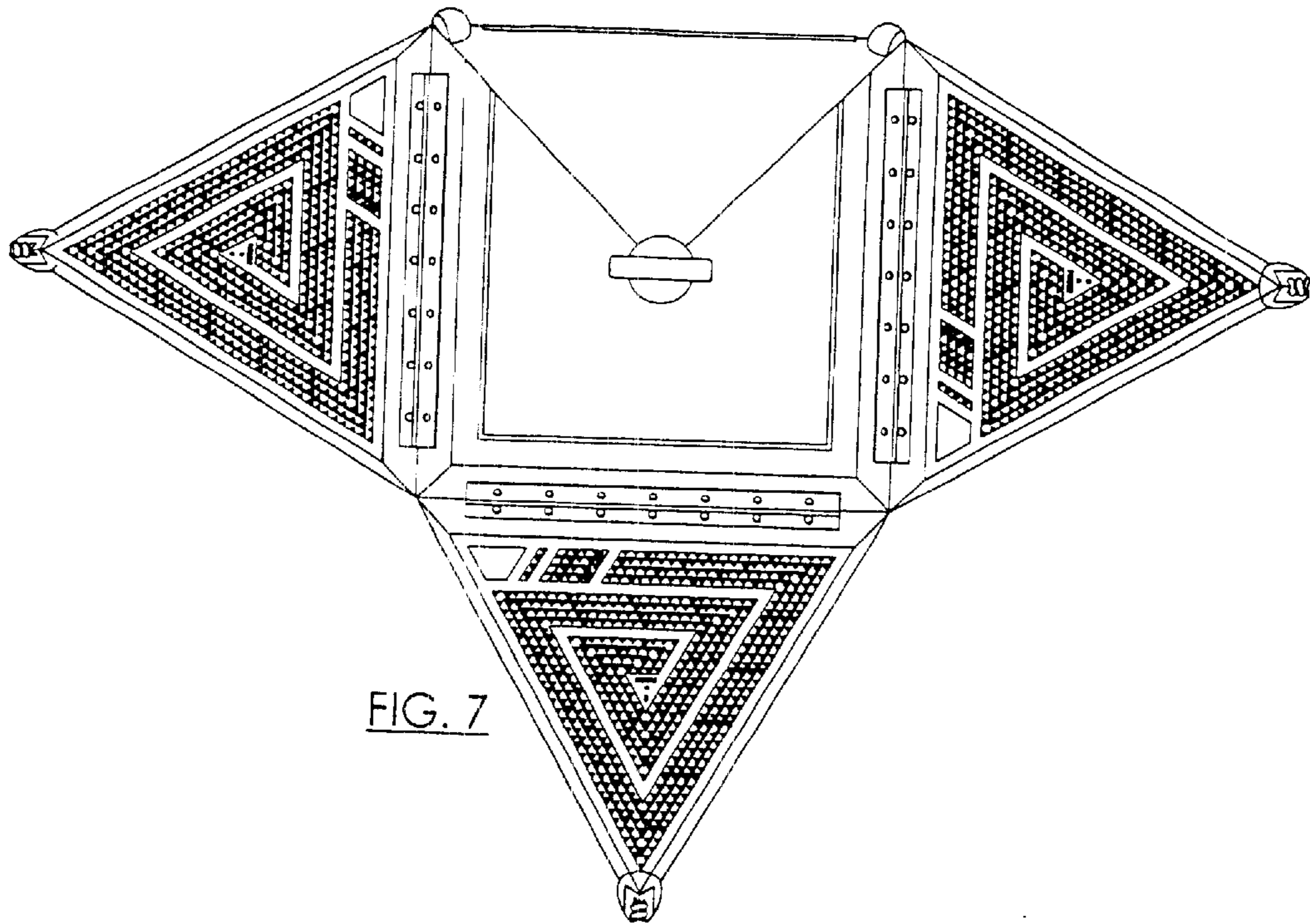


FIG. 4



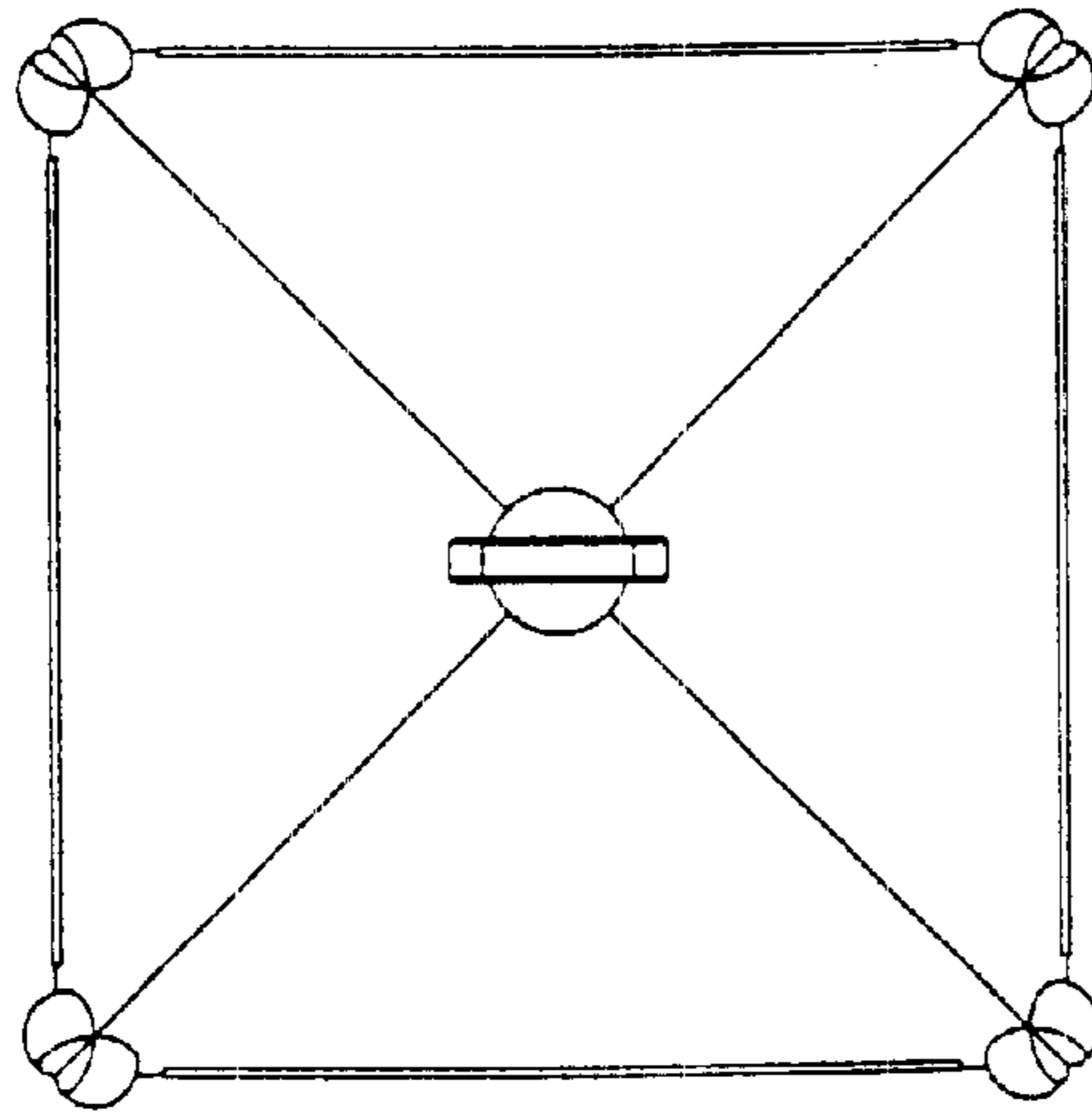


FIG. 10

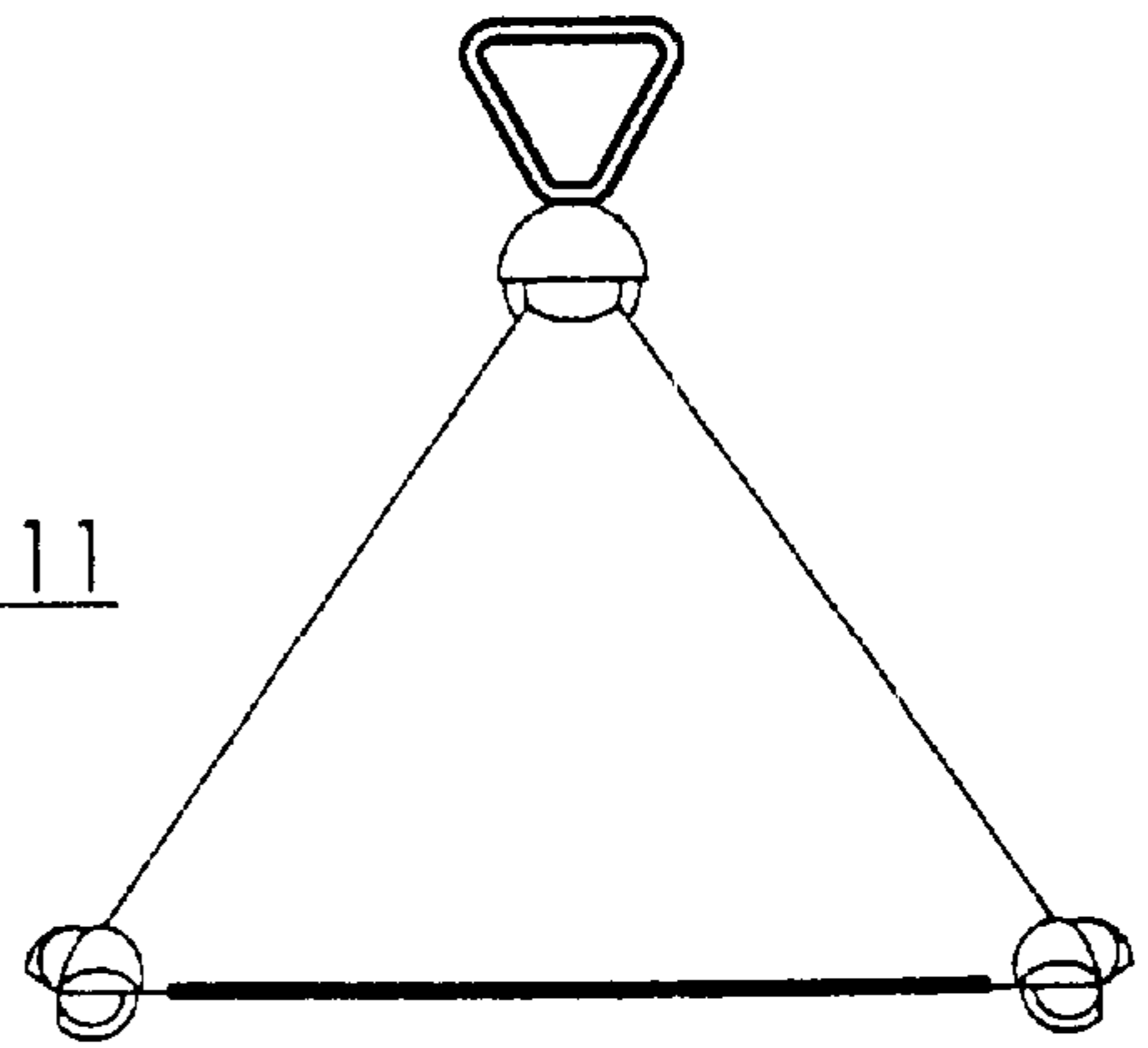


FIG. 11

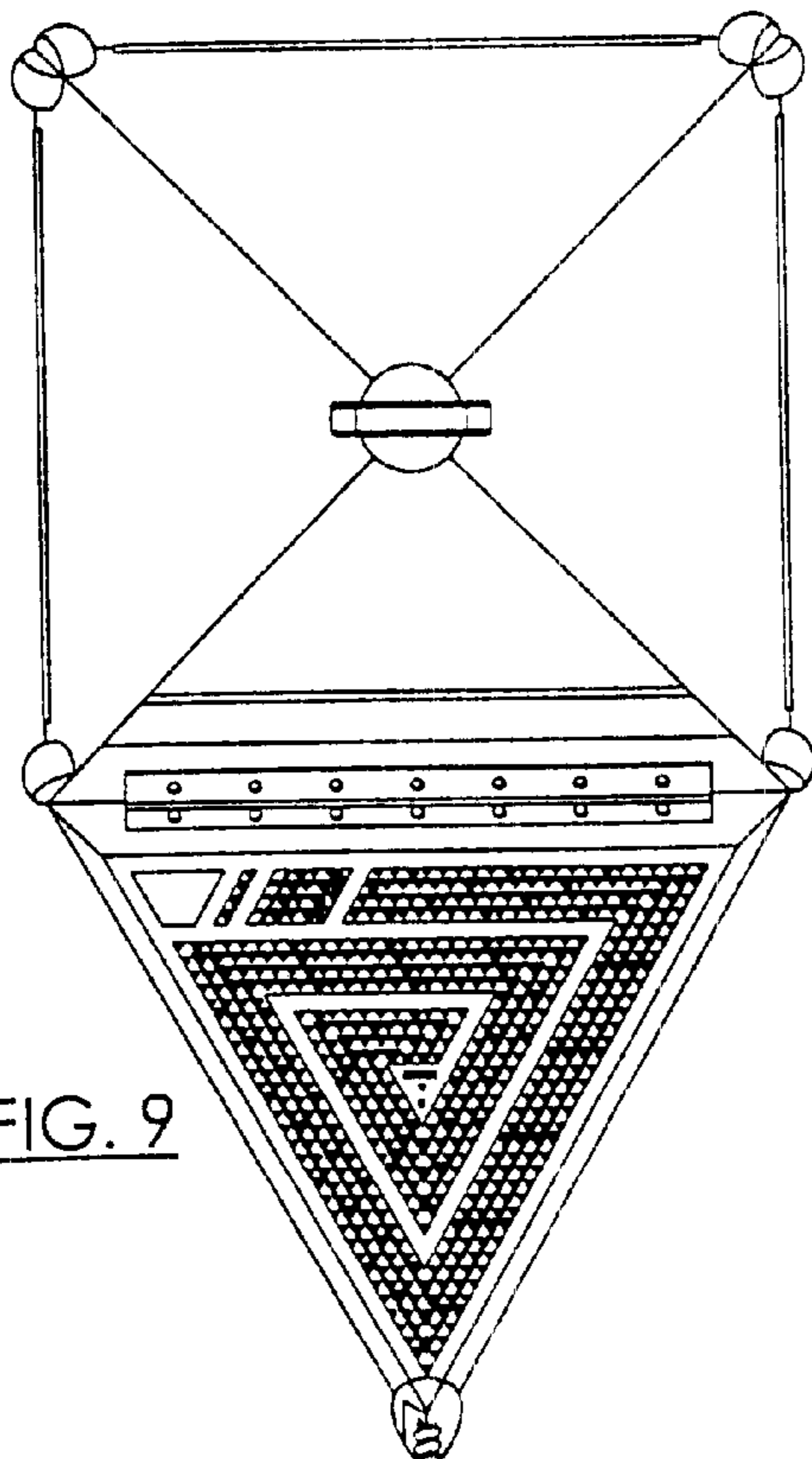


FIG. 9

