



US00D470896S

(12) **United States Design Patent**  
**Hussaini et al.**

(10) **Patent No.:** **US D470,896 S**

(45) **Date of Patent:** **\*\* Feb. 25, 2003**

(54) **MAGNIFIER ASSEMBLY FOR HANDHELD GAME**

D461,509 S \* 8/2002 Yu ..... D21/333  
D462,395 S \* 9/2002 Hussaini et al. .... D21/333

(75) Inventors: **Saied Hussaini**, Miami, FL (US); **Marc Iacovelli**, Miami, FL (US)

\* cited by examiner

*Primary Examiner*—Prabhakar Deshmukh

(73) Assignee: **Intec, Inc.**, Miami, FL (US)

(74) *Attorney, Agent, or Firm*—Liniak, Berenato & White

(\*\*) Term: **14 Years**

(57) **CLAIM**

(21) Appl. No.: **29/166,364**

The ornamental design for a magnifier assembly for handheld game, as shown and described.

(22) Filed: **Aug. 27, 2002**

**DESCRIPTION**

(51) **LOC (7) Cl.** ..... **21-01**

FIG. 1 is a front view of the magnifier assembly for handheld game according to the present invention.

(52) **U.S. Cl.** ..... **D21/333**

FIG. 2 is a rear view of the magnifier assembly for handheld game of FIG. 1.

(58) **Field of Search** ..... D21/324–333,  
D21/369, 385; D26/24, 26, 51, 52, 72;  
273/148 A, 148 B, 454; 463/46, 47, 49,  
1, 16–22; 345/156, 905; 362/109, 97, 98,  
101, 21, 217

FIG. 3 is a right side view of the magnifier assembly for handheld game of FIG. 1.

FIG. 4 is a left side view of the magnifier assembly for handheld game of FIG. 1.

(56) **References Cited**

**U.S. PATENT DOCUMENTS**

- 4,589,659 A \* 5/1986 Yu ..... 463/34
- 4,756,528 A \* 7/1988 Umashankar ..... 463/1
- 5,130,907 A \* 7/1992 Tortola et al. .... 362/109
- 5,217,295 A \* 6/1993 Tortola et al. .... 273/148 B
- 5,325,280 A \* 6/1994 Tortola et al. .... 363/23
- D416,948 S \* 11/1999 Soga ..... D21/333
- D426,860 S \* 6/2000 Ho ..... D21/333
- D458,644 S \* 6/2002 Yu ..... D21/333
- D460,495 S \* 7/2002 Naghi et al. .... D21/333

FIG. 5 is a top view of the magnifier assembly for handheld game of FIG. 1.

FIG. 6 is a bottom view of the magnifier assembly for handheld game of FIG. 1.

FIG. 7 is a front and left elevational perspective view of the magnifier assembly for handheld game of FIG. 1 in a retracted position; and,

FIG. 8 is a front and left elevational perspective view of the magnifier assembly for handheld game of FIG. 1 in an extended magnifying position.

**1 Claim, 4 Drawing Sheets**

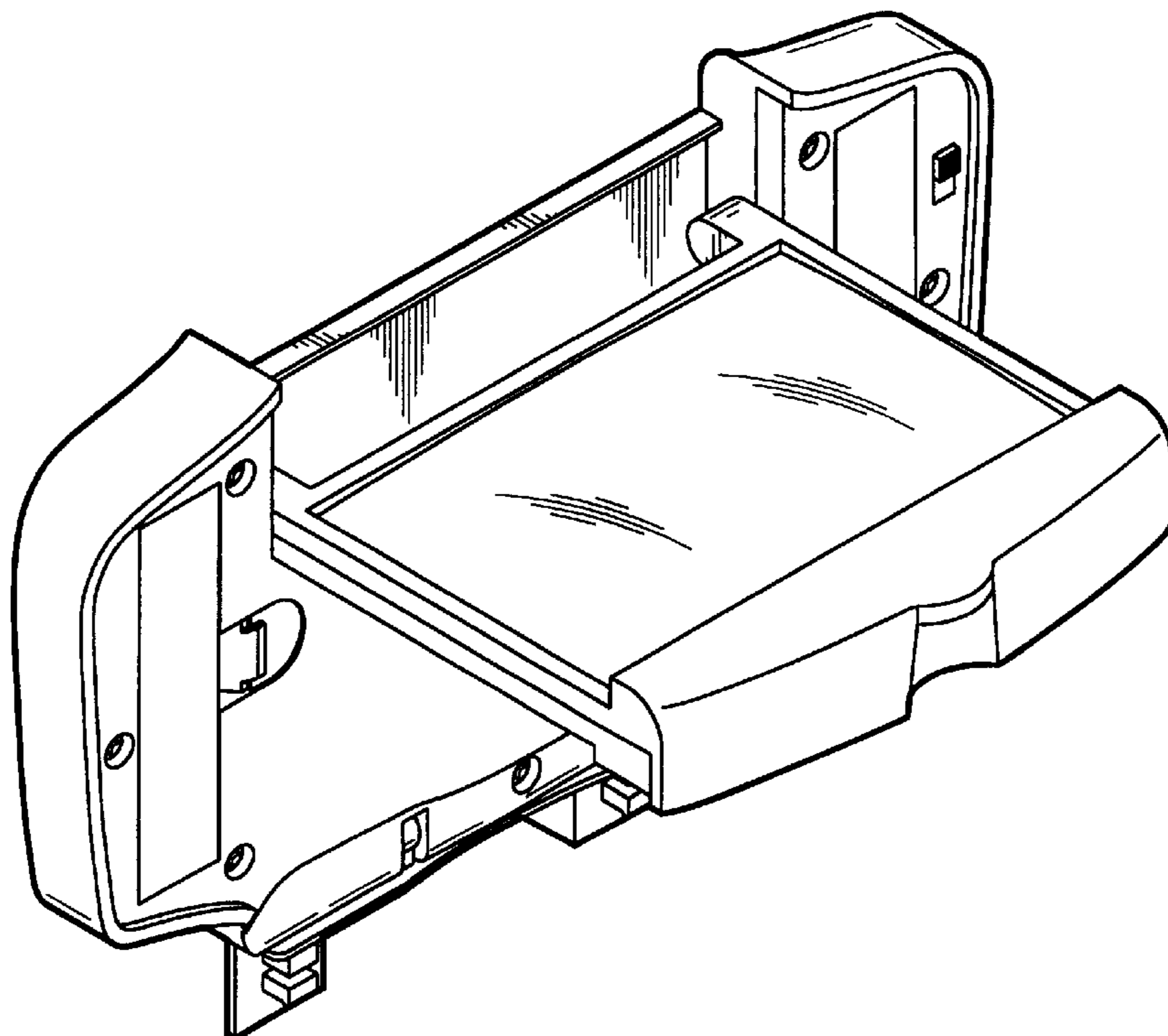


Fig. 1

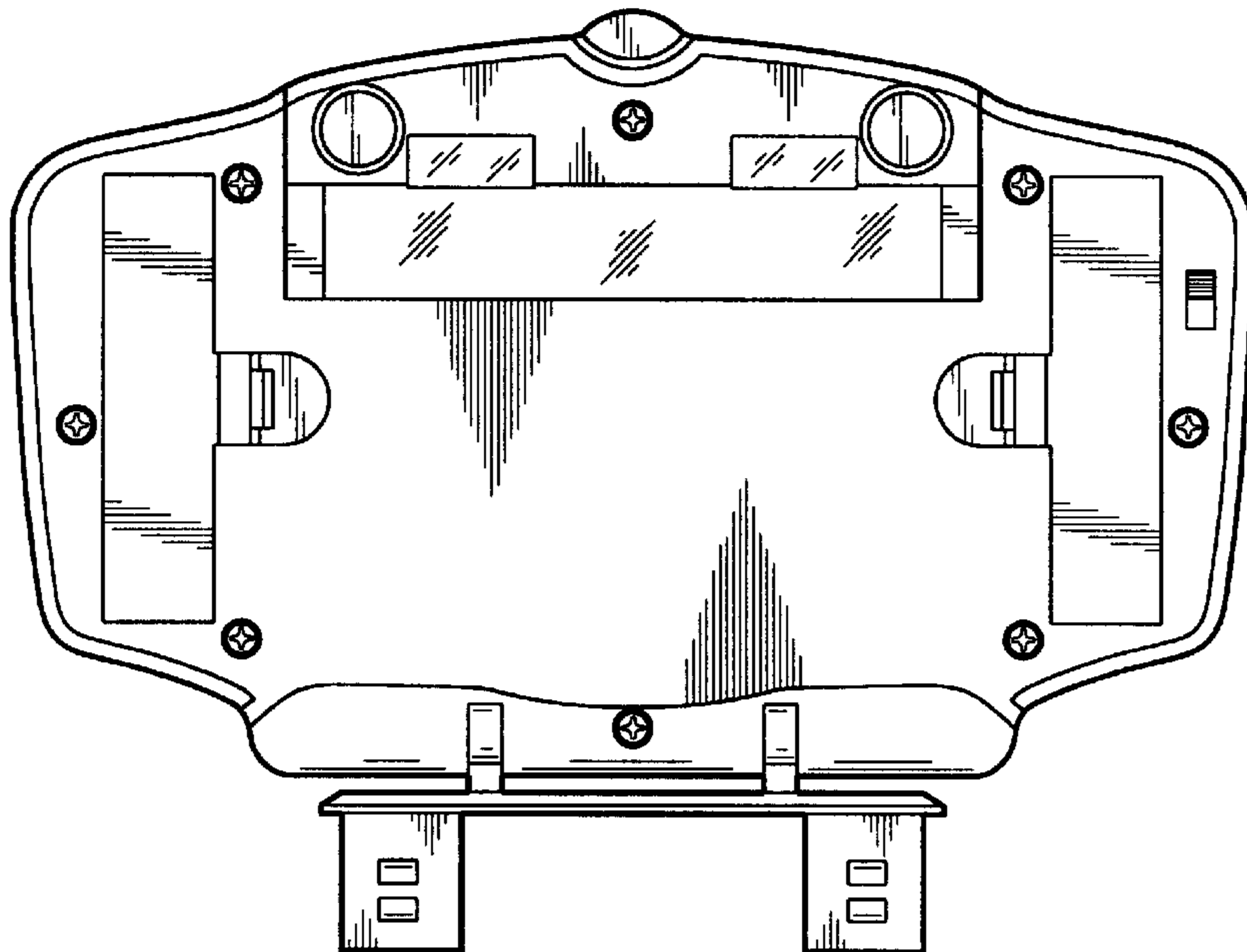


Fig. 2

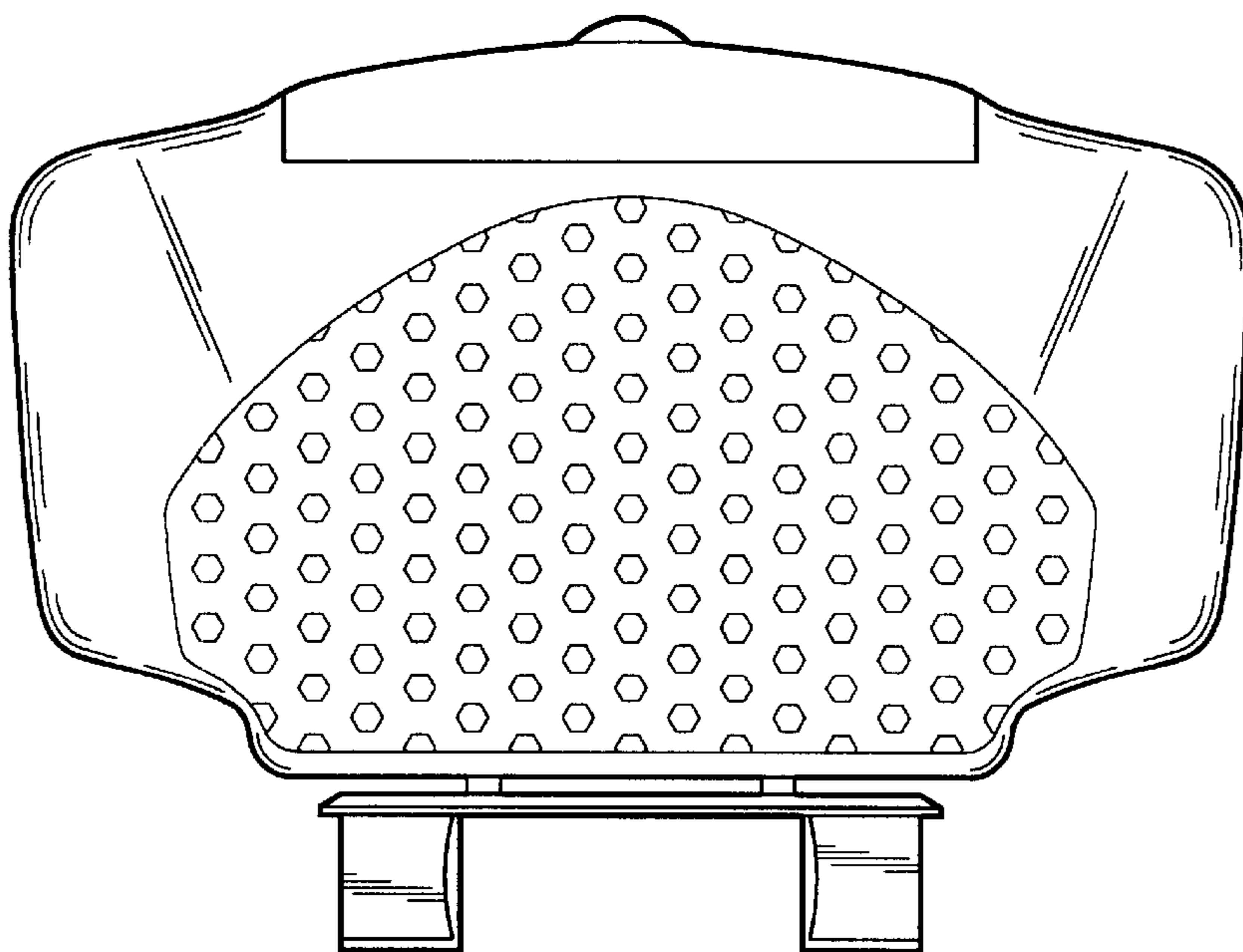


Fig. 3

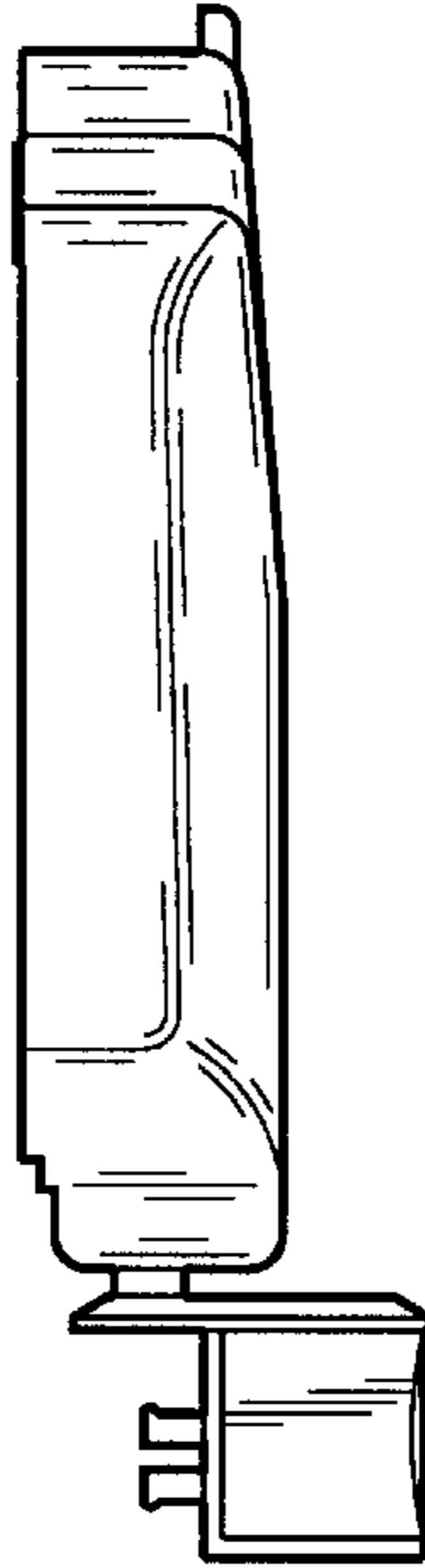


Fig. 4

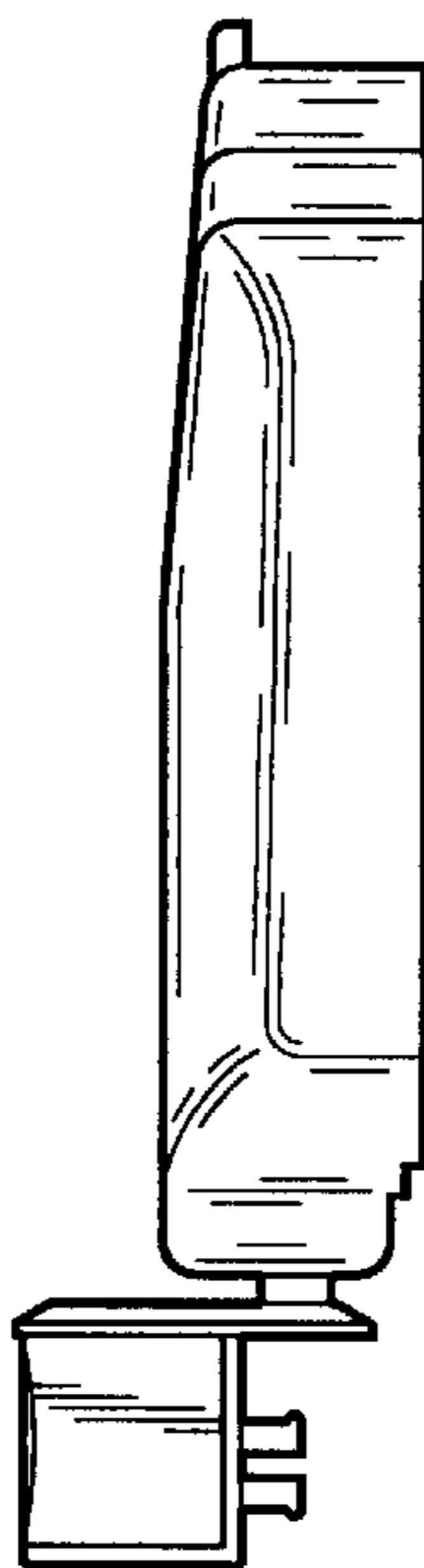


Fig. 5

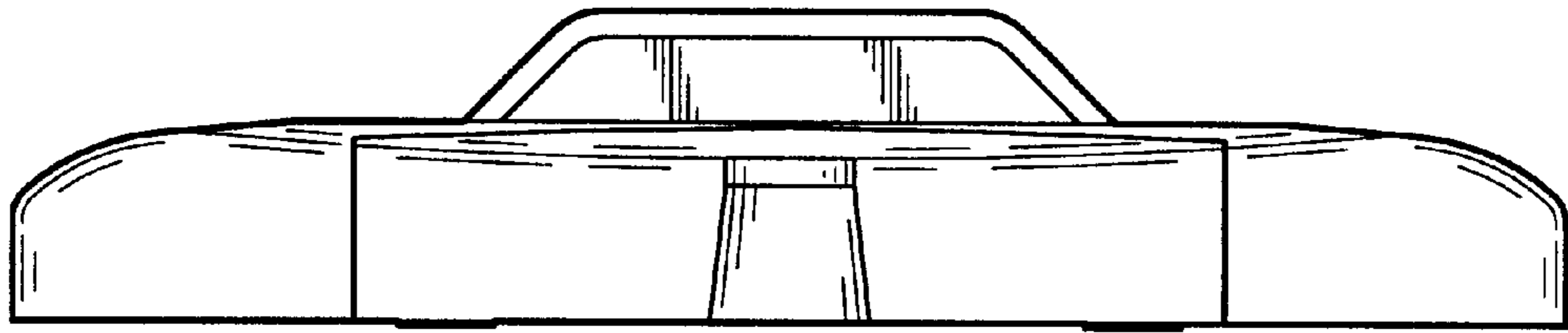


Fig. 6

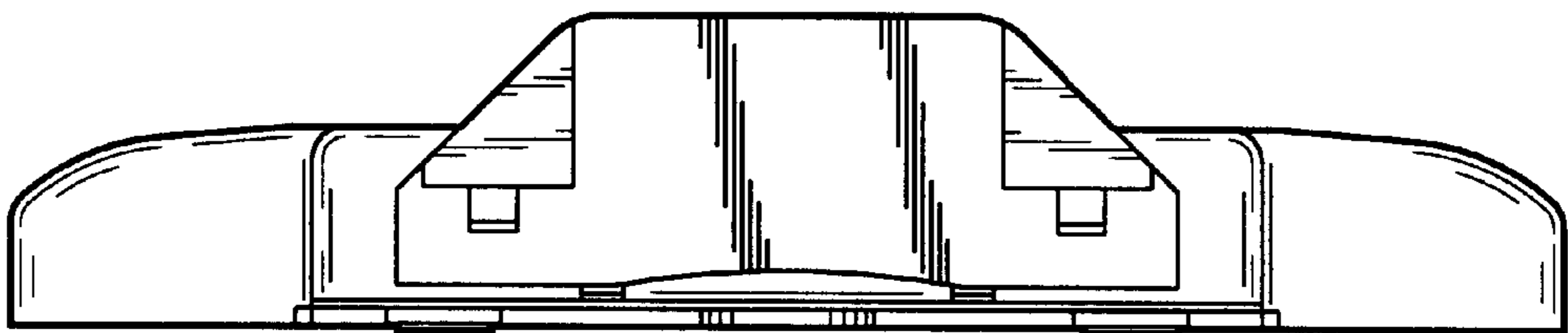


Fig. 7

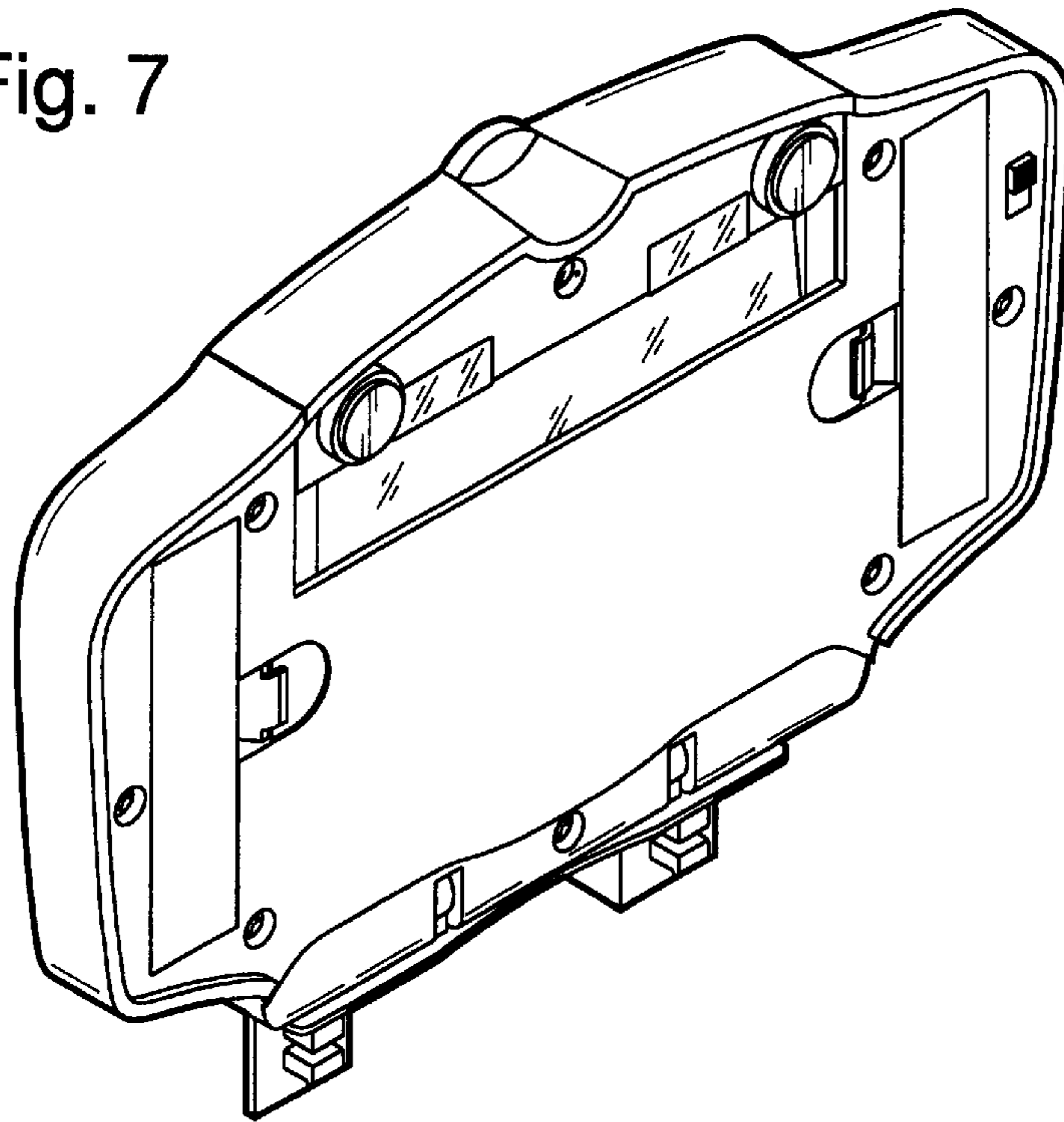


Fig. 8

