



US00D470893S

(12) **United States Design Patent**  
**Valiulis et al.**

(10) **Patent No.:** **US D470,893 S**

(45) **Date of Patent:** **\*\* Feb. 25, 2003**

(54) **HINGED GRIPPING LABEL HOLDER**

(75) Inventors: **Thomas E. Valiulis**, Rockford, IL (US);  
**Craig Zadak**, Roscoe, IL (US)

(73) Assignee: **Southern Imperial, Inc.**, Rockford, IL (US)

(\*\*) Term: **14 Years**

(21) Appl. No.: **29/162,468**

(22) Filed: **Jun. 17, 2002**

(51) **LOC (7) Cl.** ..... **20-03**

(52) **U.S. Cl.** ..... **D20/44**

(58) **Field of Search** ..... D20/10, 40, 42,  
D20/43, 44, 99; D25/119, 121, 122, 124;  
40/124.01, 584, 642.01, 649, 653, 654.01,  
661; 52/522

(56) **References Cited**

**U.S. PATENT DOCUMENTS**

4,334,372 A	*	6/1982	Colmar	40/650
D275,867 S	*	10/1984	Lazzara et al.	D20/43
D289,780 S	*	5/1987	Kenney	D20/44
D443,311 S	*	6/2001	Wildrick	D20/43
D447,518 S	*	9/2001	Lau	D20/43
D454,163 S	*	3/2002	Nagel	D20/43
D454,373 S	*	3/2002	Kosir	D20/44
D454,593 S	*	3/2002	Kosir	D20/44
D454,918 S	*	3/2002	Wamsley et al.	D20/43

\* cited by examiner

*Primary Examiner*—Robert M. Spear

(74) *Attorney, Agent, or Firm*—Leydig, Voit & Mayer, Ltd.

(57) **CLAIM**

I claim the ornamental design for a hinged gripping label holder, as shown and described.

**DESCRIPTION**

FIG. 1 is a perspective view of a hinged gripping label holder, taken from the front and right of the label holder;

FIG. 2 is another perspective view of the label holder shown in FIG. 1, taken from the rear and left of the article;

FIG. 3 is a top view of the label holder shown in FIG. 1;

FIG. 4 is a bottom view of the label holder shown in FIG. 1;

FIG. 5 is a side view, taken from the left, of the label holder shown in FIG. 1;

FIG. 6 is a rear view of the label holder shown in FIG. 1;

FIG. 7 is a front view of the label holder shown in FIG. 1;

FIG. 8 is a perspective view of an alternate embodiment of the label holder shown in FIGS. 1–7, taken from the front, left and slightly above the label holder;

FIG. 9 is a perspective view of the label holder shown in FIG. 8, taken from the rear, left and slightly below the label holder;

FIG. 10 is a top view of the label holder shown in FIG. 8;

FIG. 11 is a bottom view of the label holder shown in FIG. 8;

FIG. 12 is a side view, taken from the left, of the label holder shown in FIG. 8;

FIG. 13 is a rear view of the label holder shown in FIG. 8;

FIG. 14 is a front view of the label holder shown in FIG. 8;

FIG. 15 is a right front perspective view of another embodiment of the hinged gripping label holder of FIGS. 1–7, the sole difference being that all surfaces are opaque except the front panel, which is transparent;

FIG. 16 is a left rear perspective view thereof;

FIG. 17 is a right front perspective view of another embodiment of the hinged gripping label holder of FIGS. 8–14, the sole difference being that all surfaces are opaque except the front panel, which is transparent; and,

FIG. 18 is a left rear perspective view thereof.

**1 Claim, 8 Drawing Sheets**

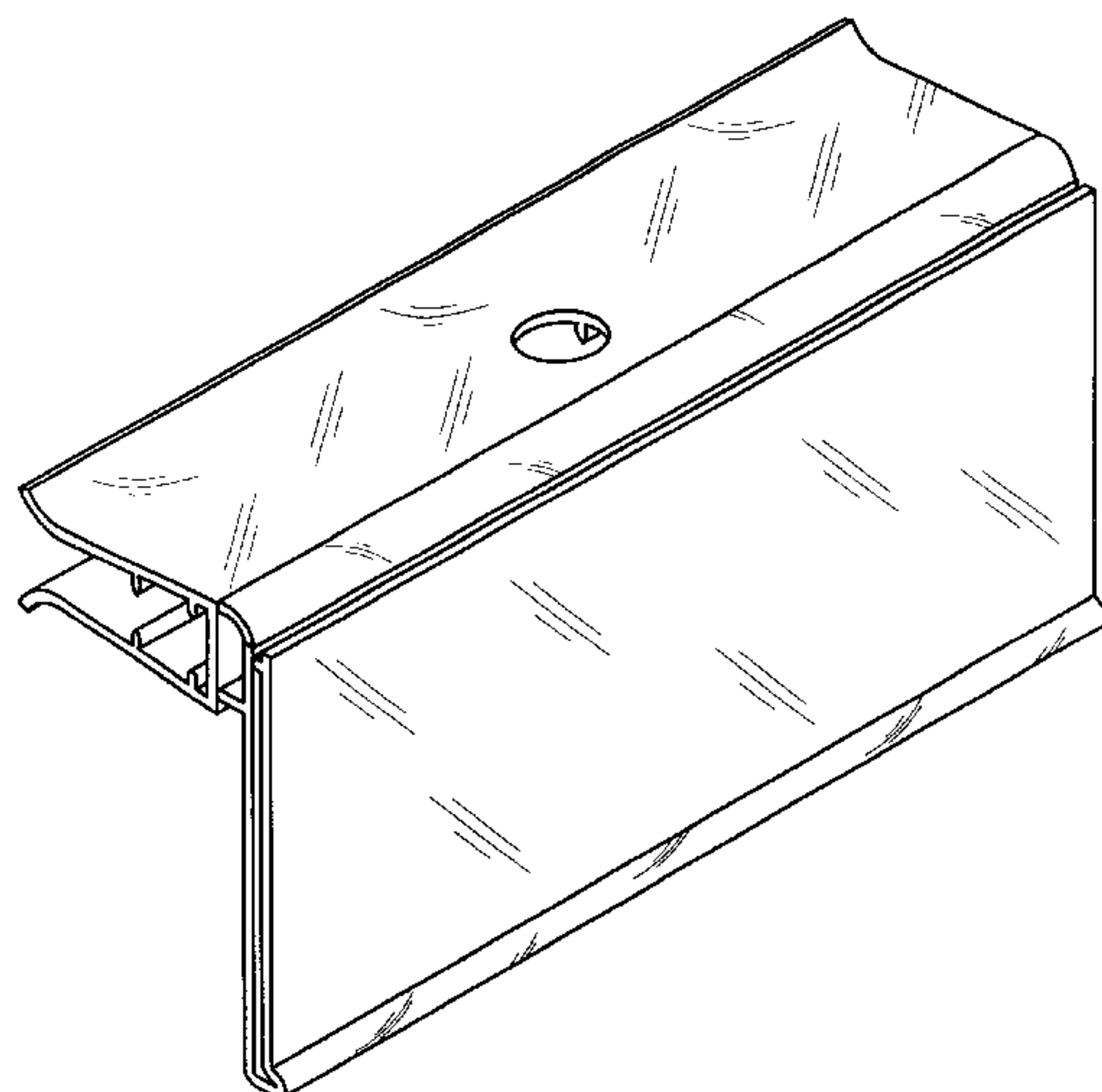
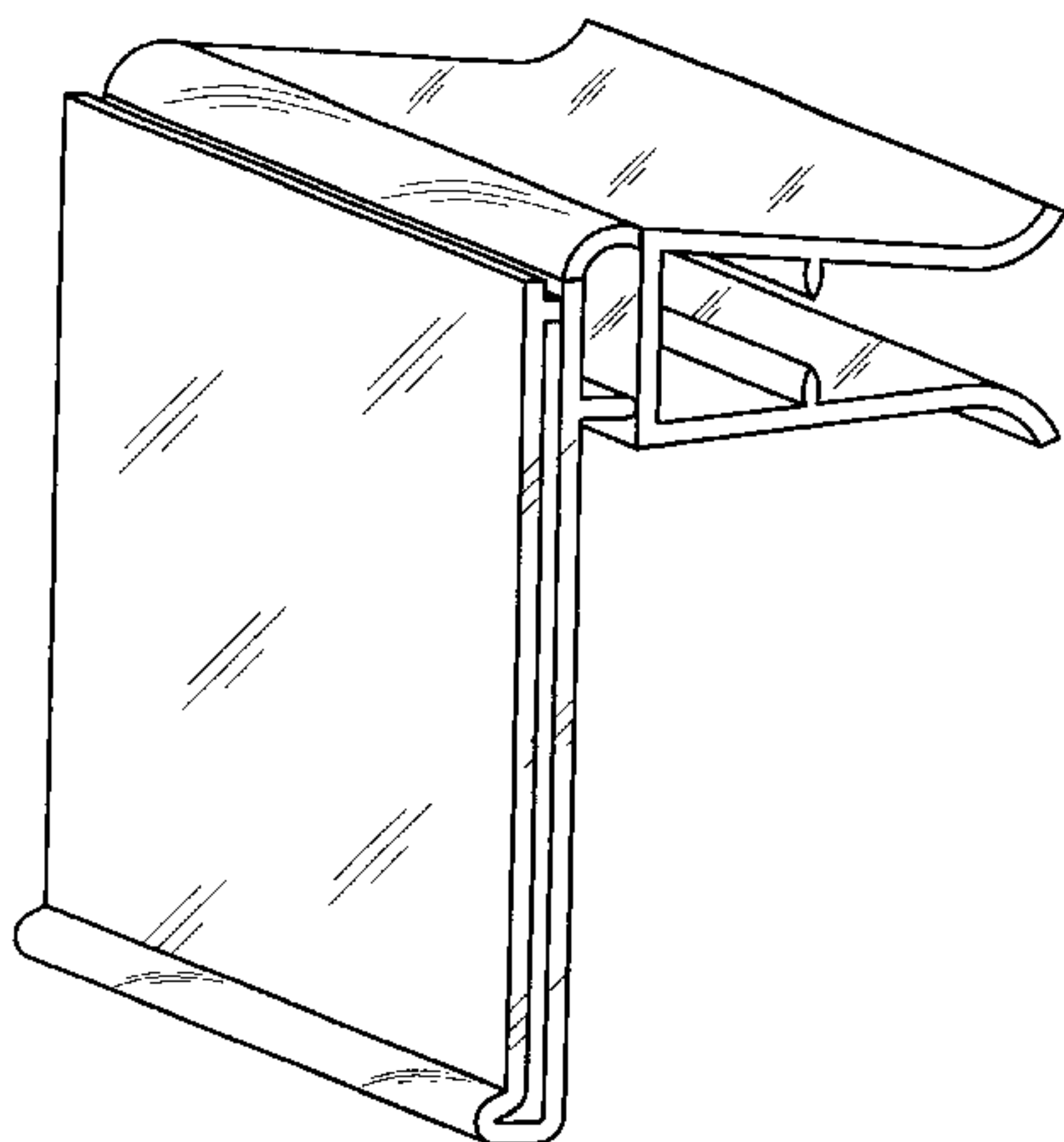


FIG. 1

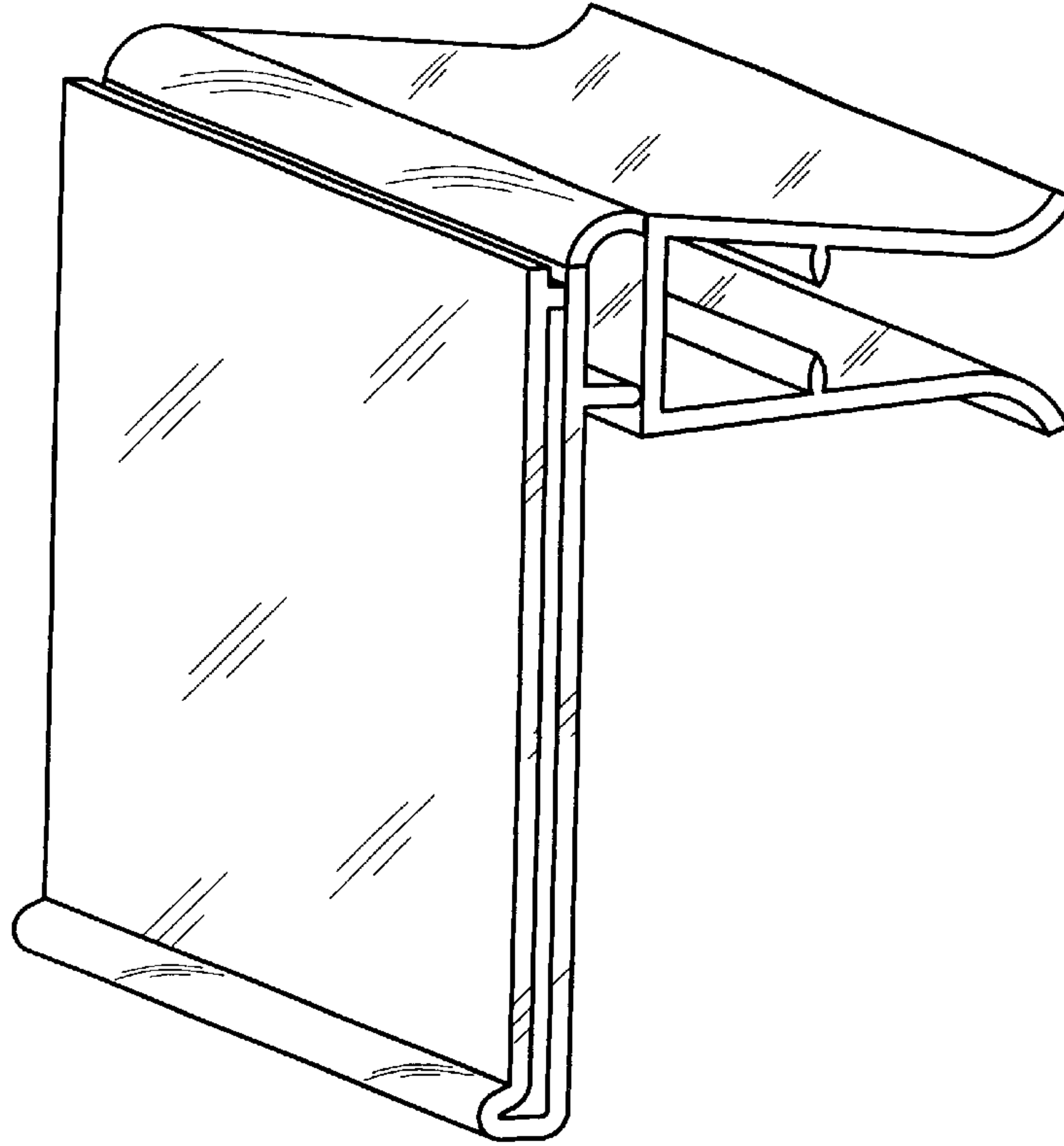


FIG. 2

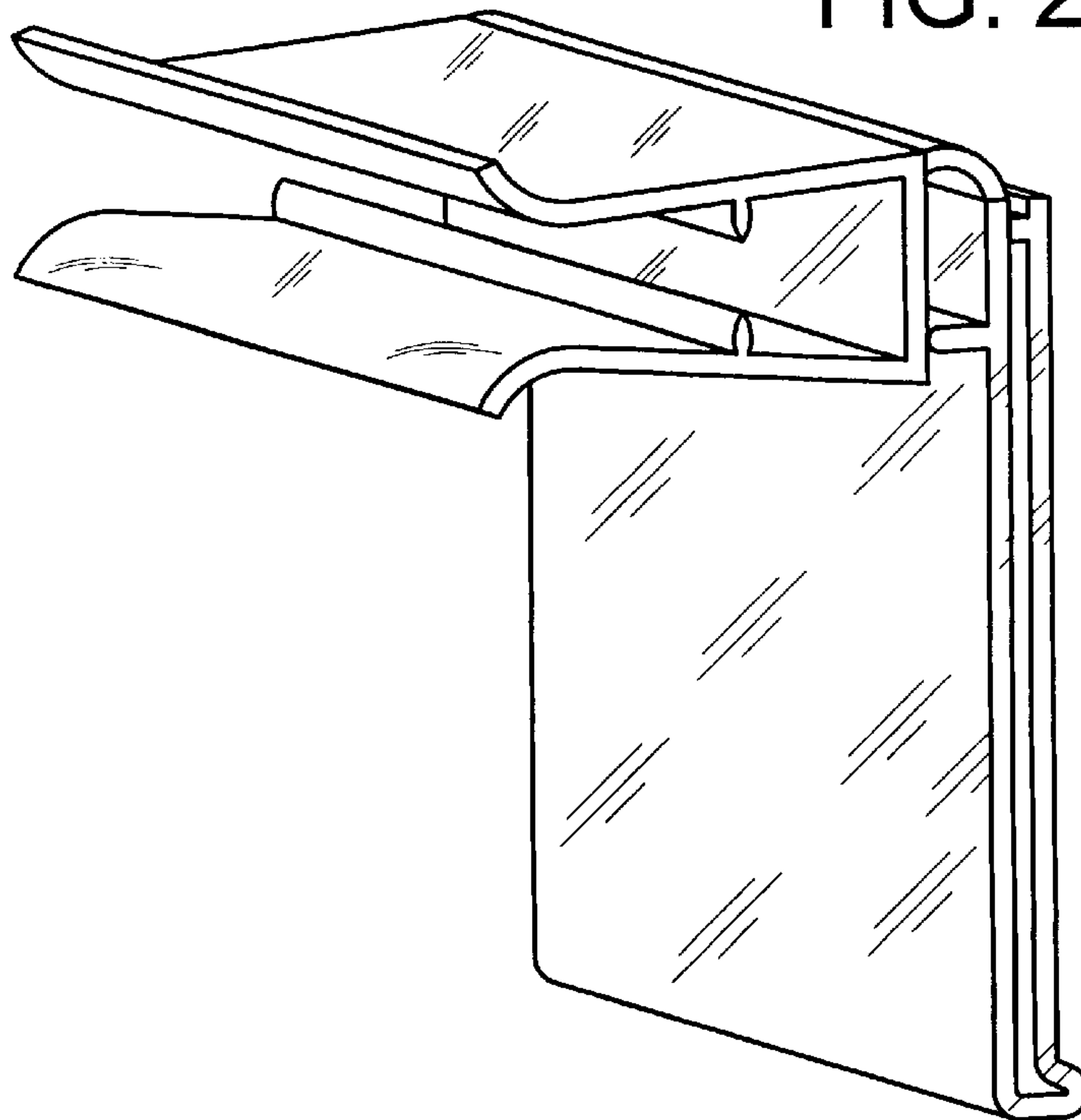


FIG. 3

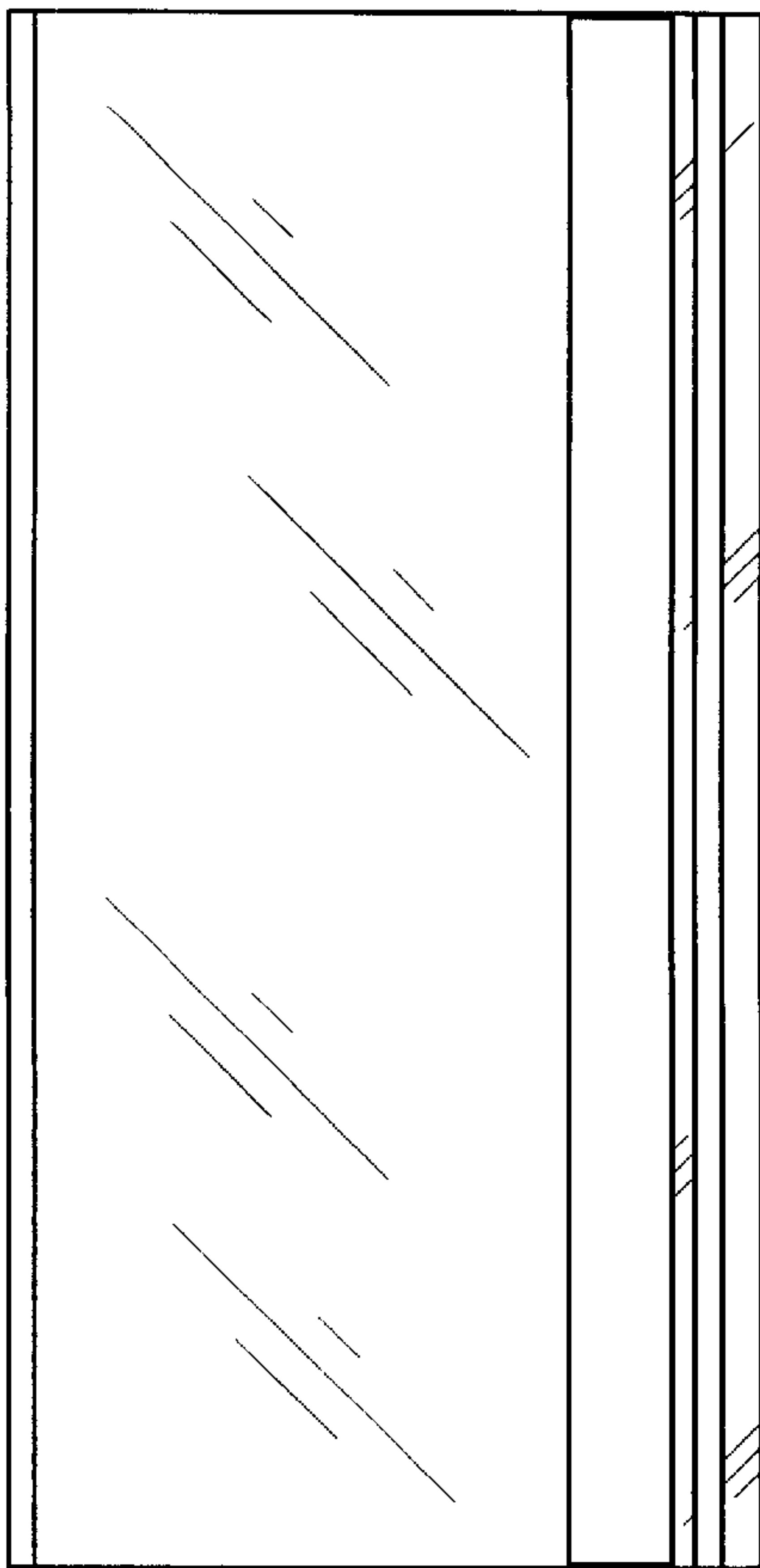


FIG. 4

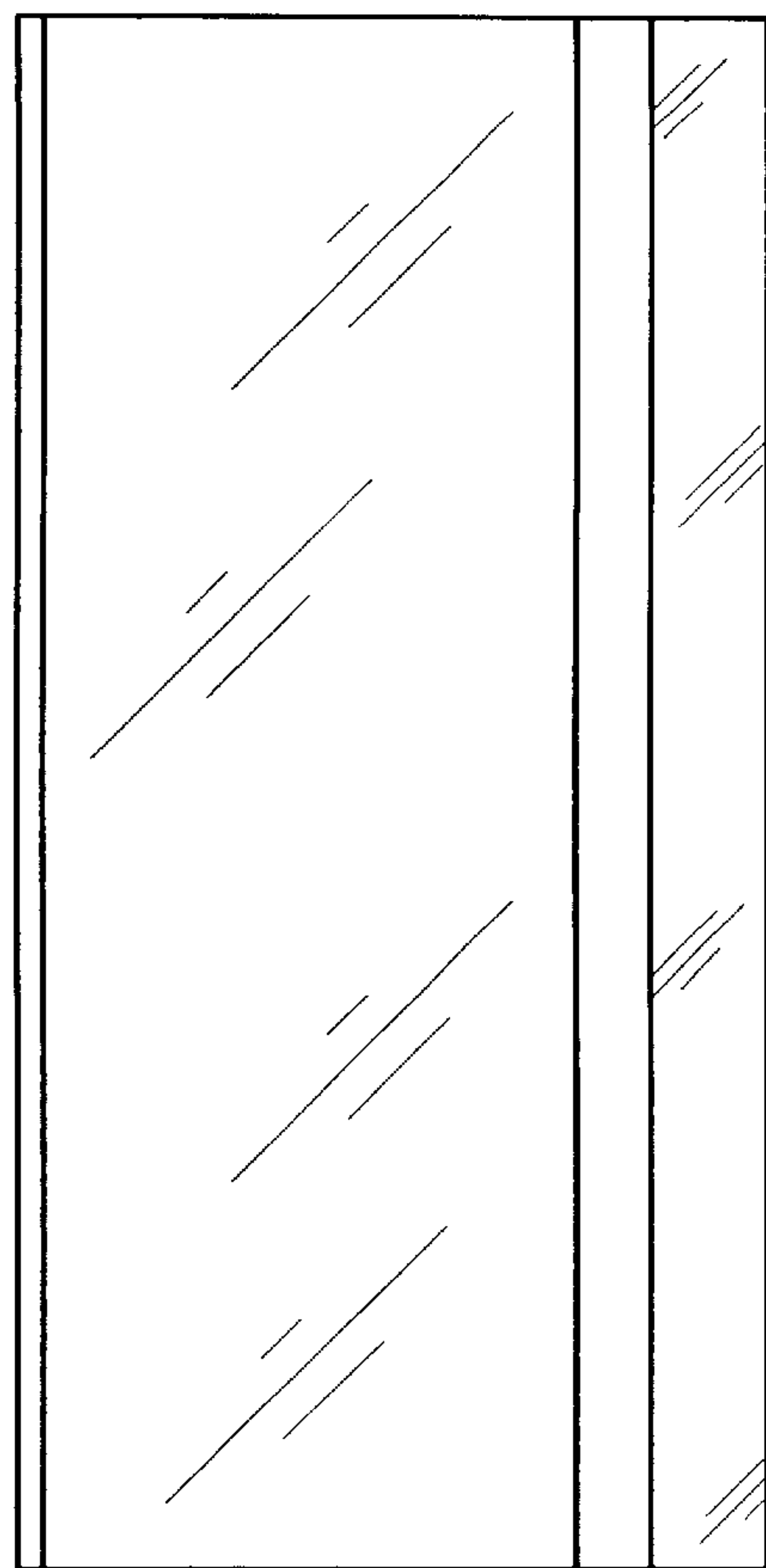


FIG. 5

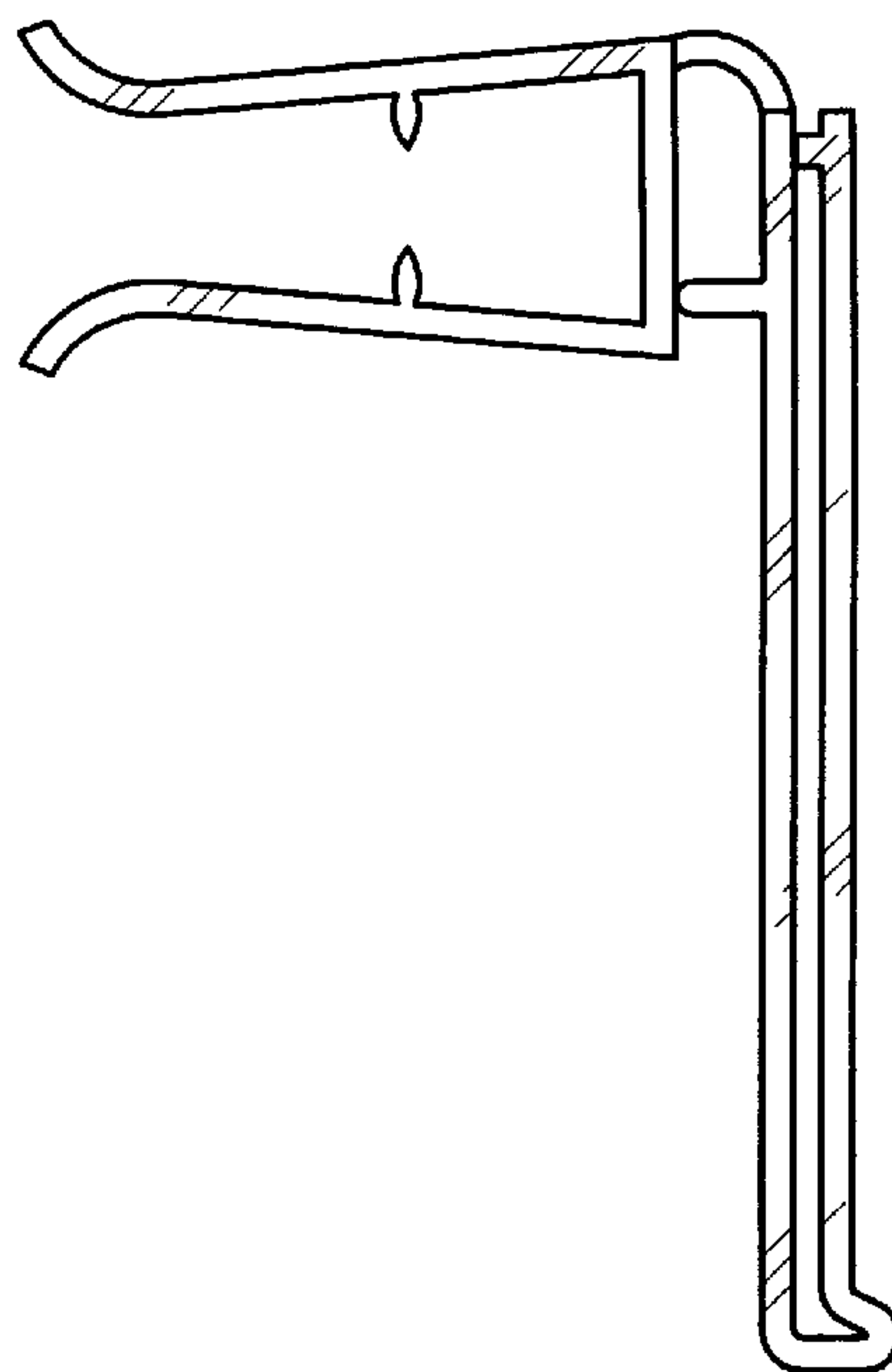


FIG. 7

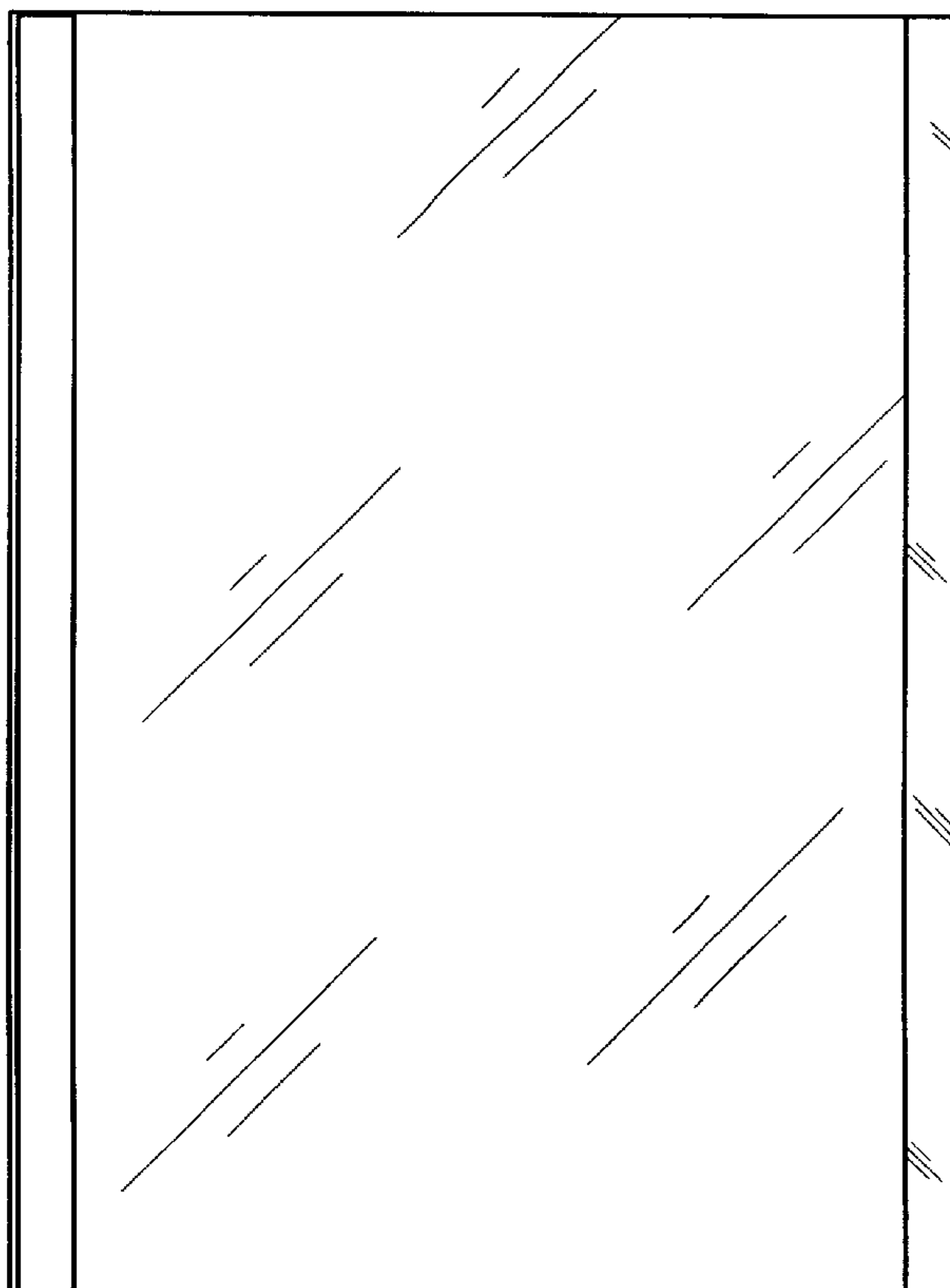


FIG. 6

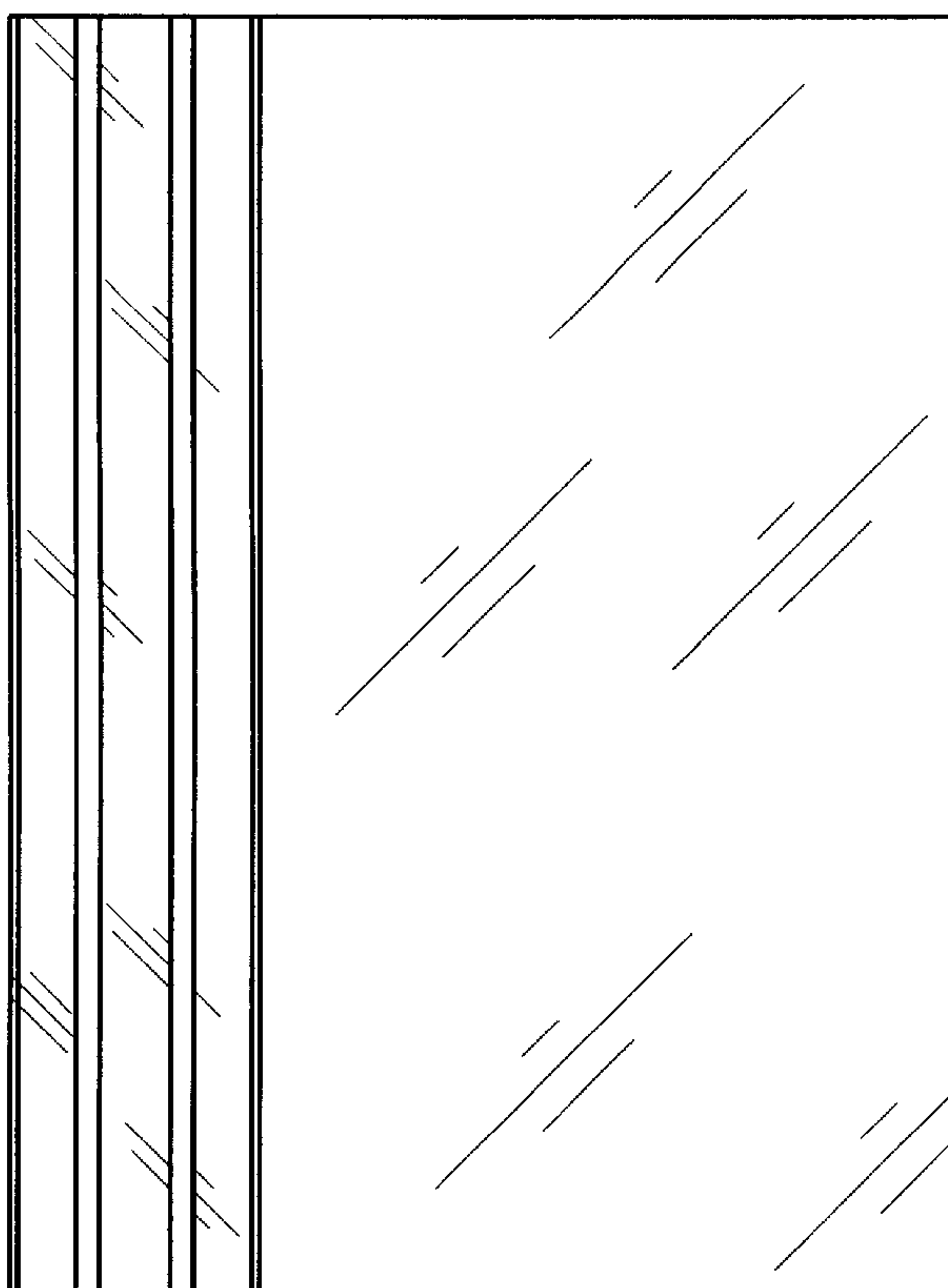


FIG. 8

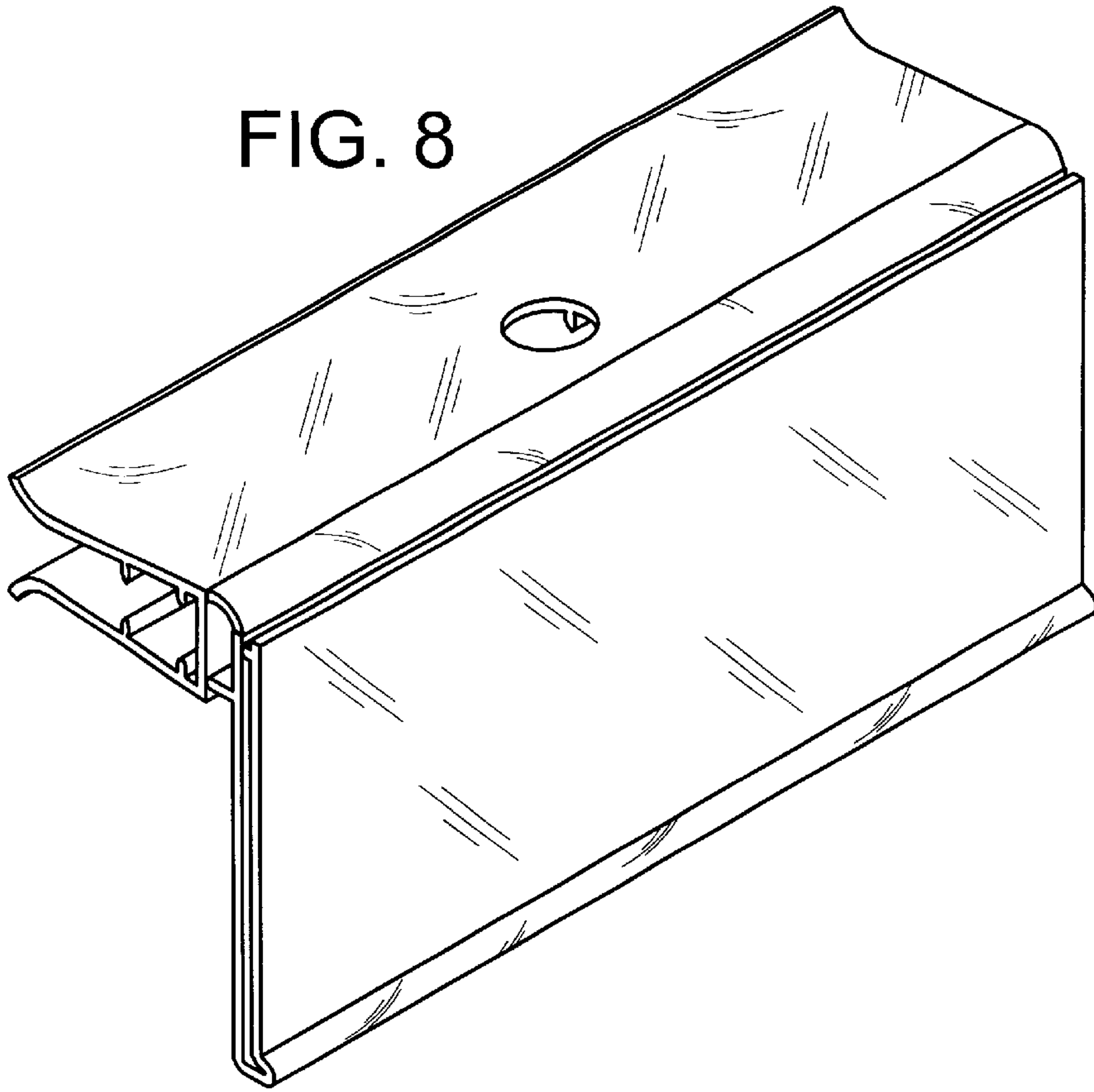


FIG. 9

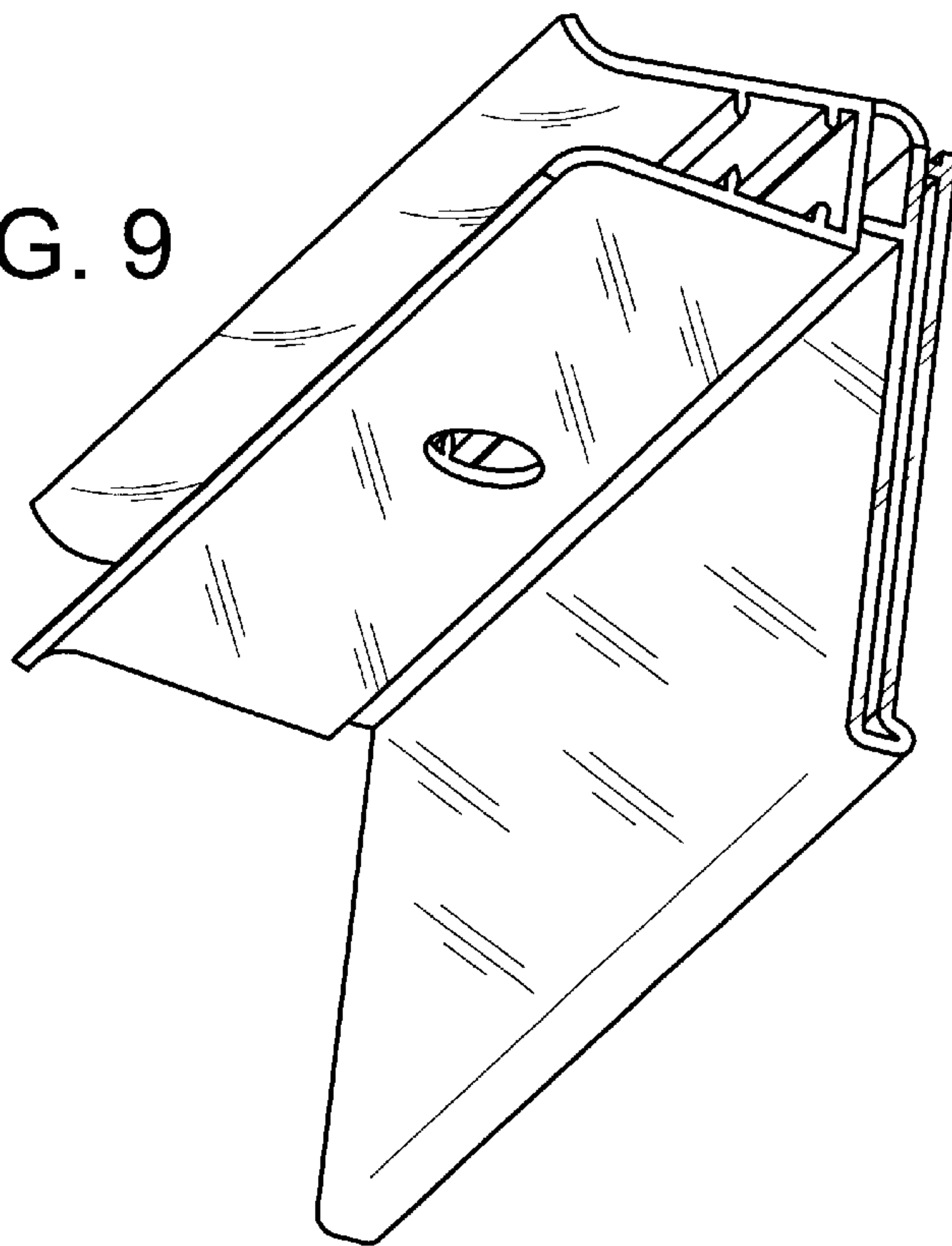




FIG. 10

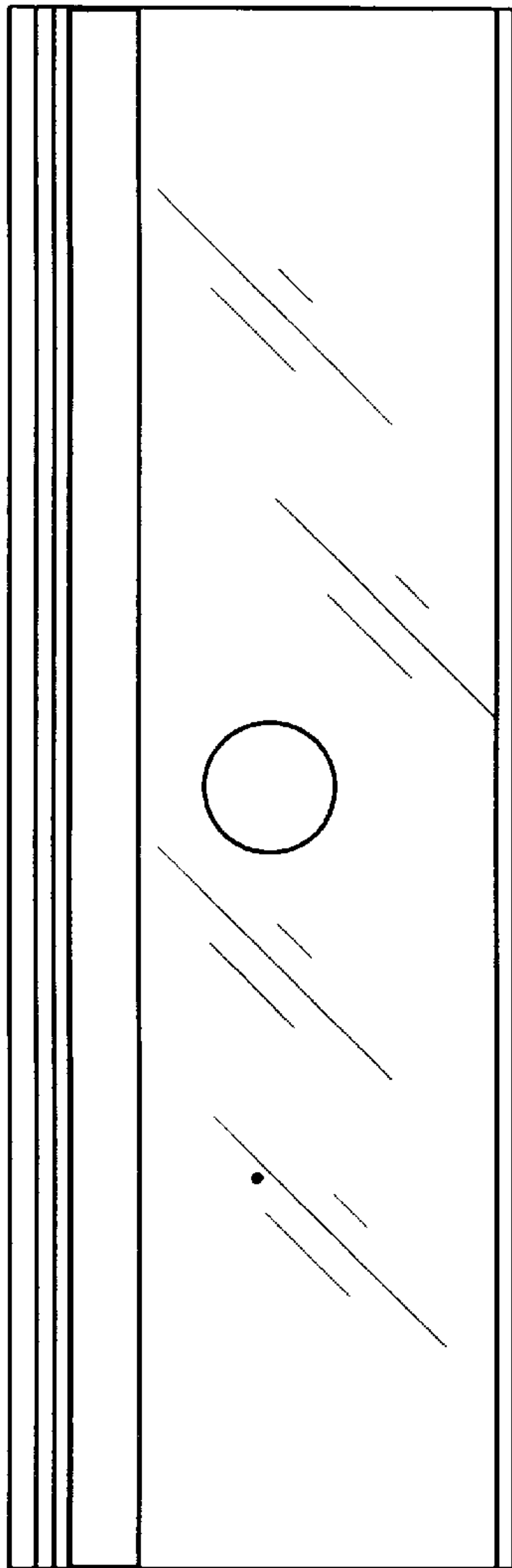


FIG. 11

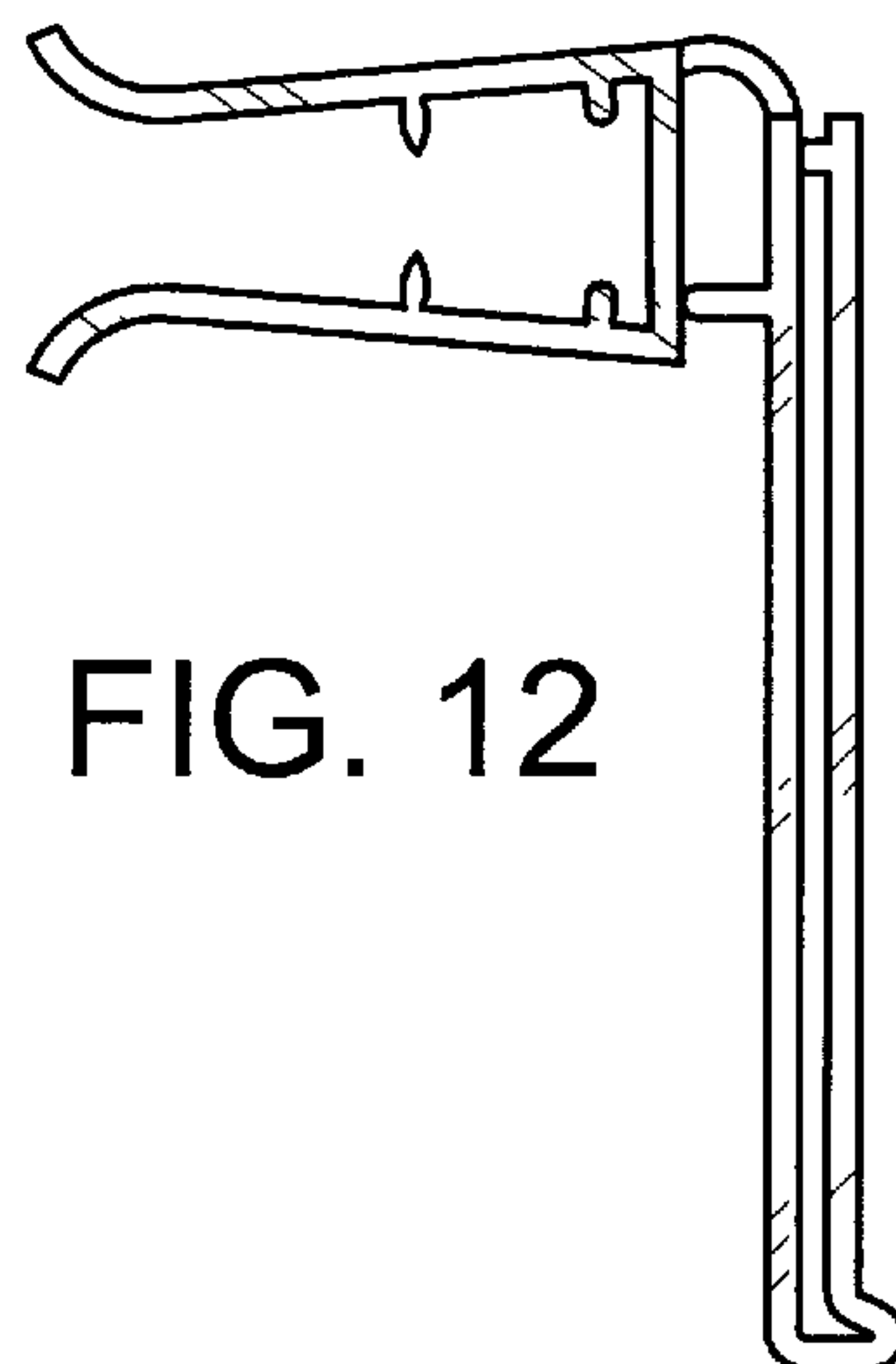
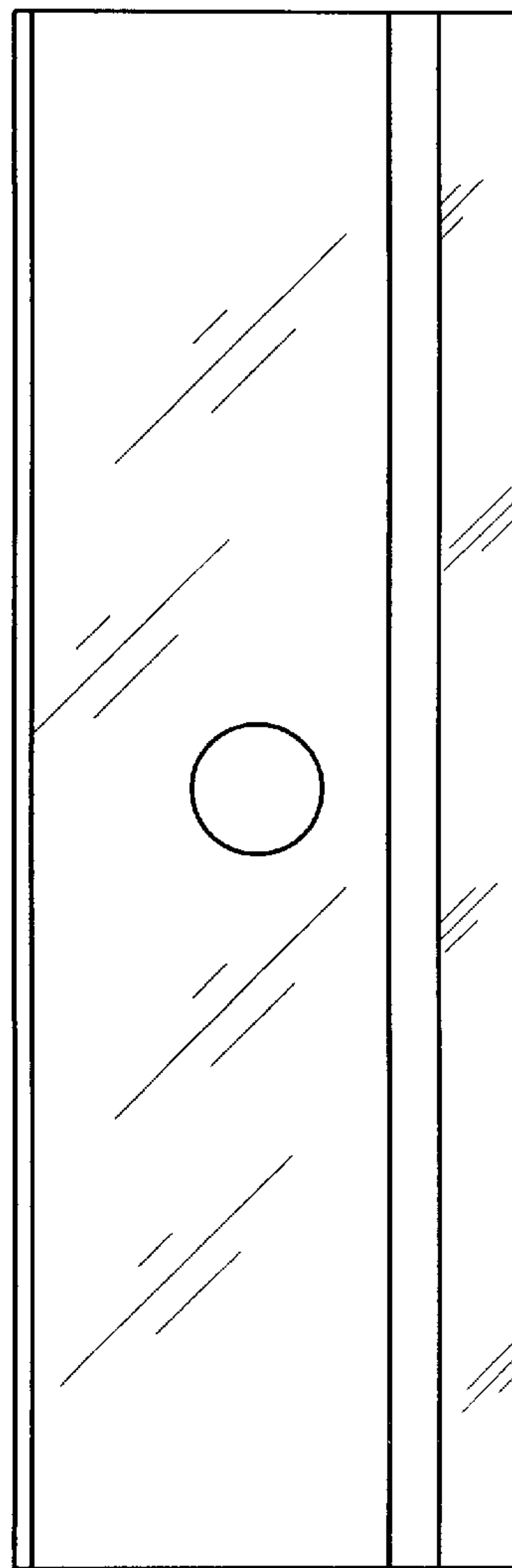


FIG. 12

FIG. 14

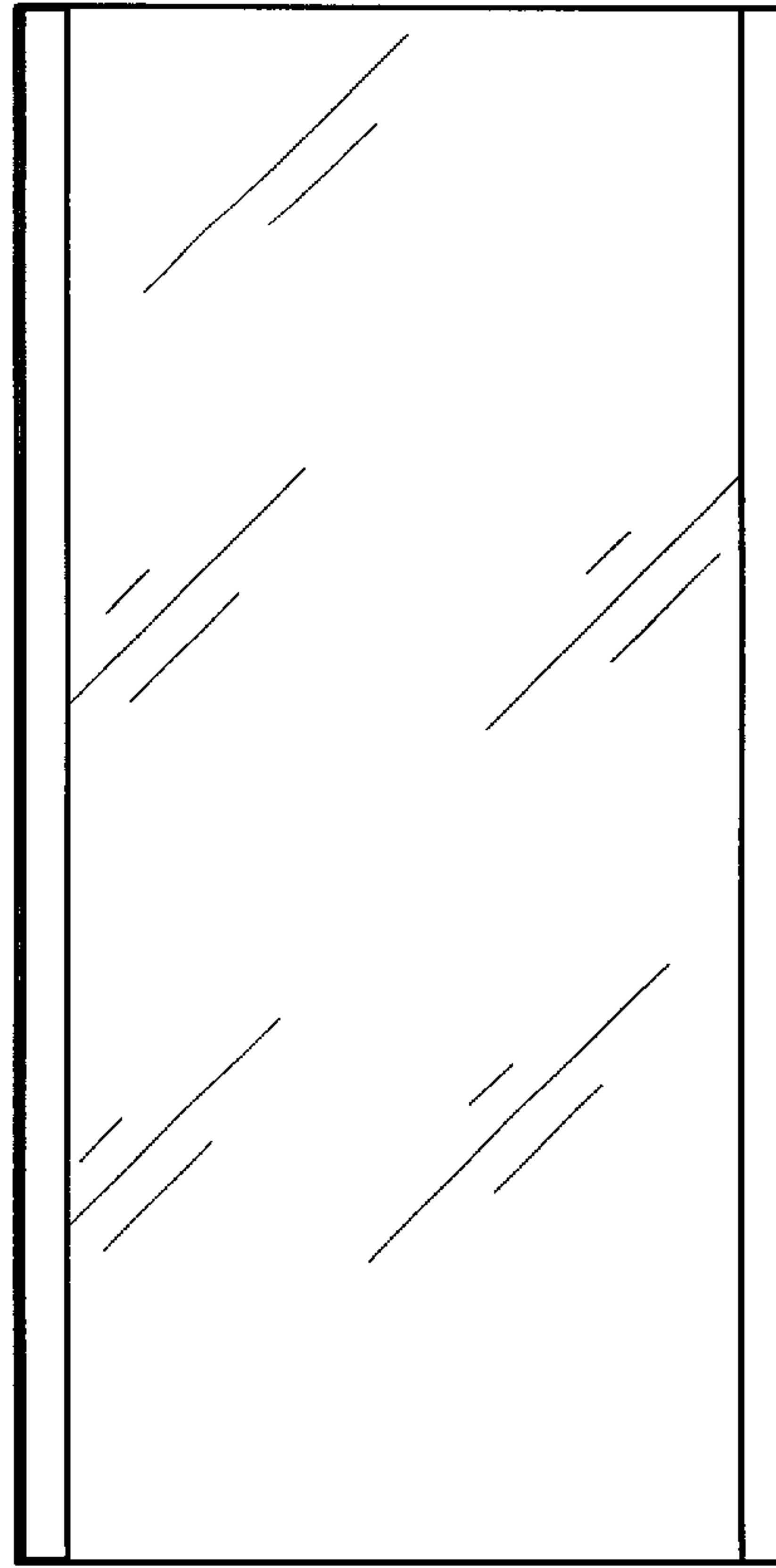


FIG. 13

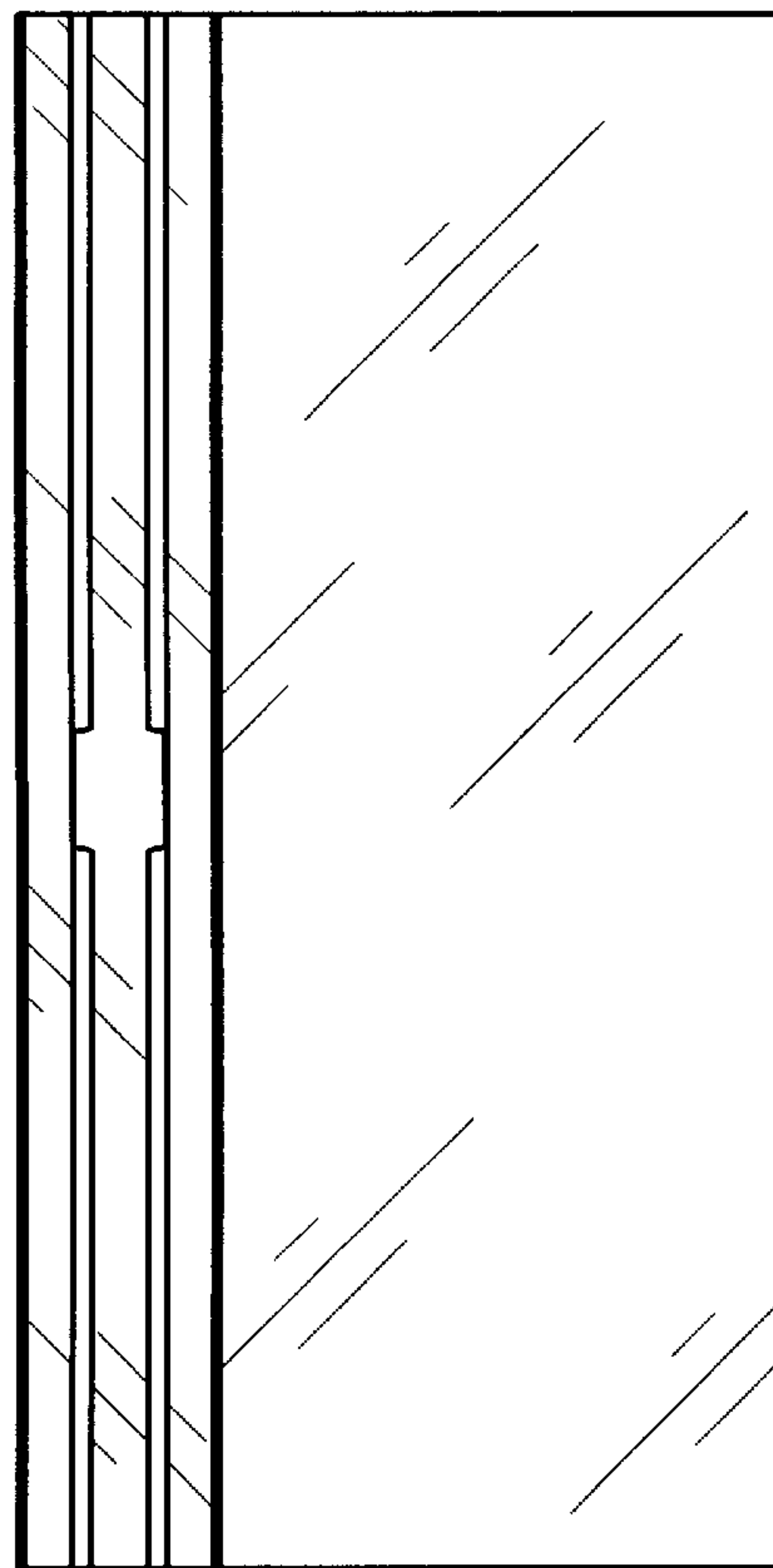


FIG. 15

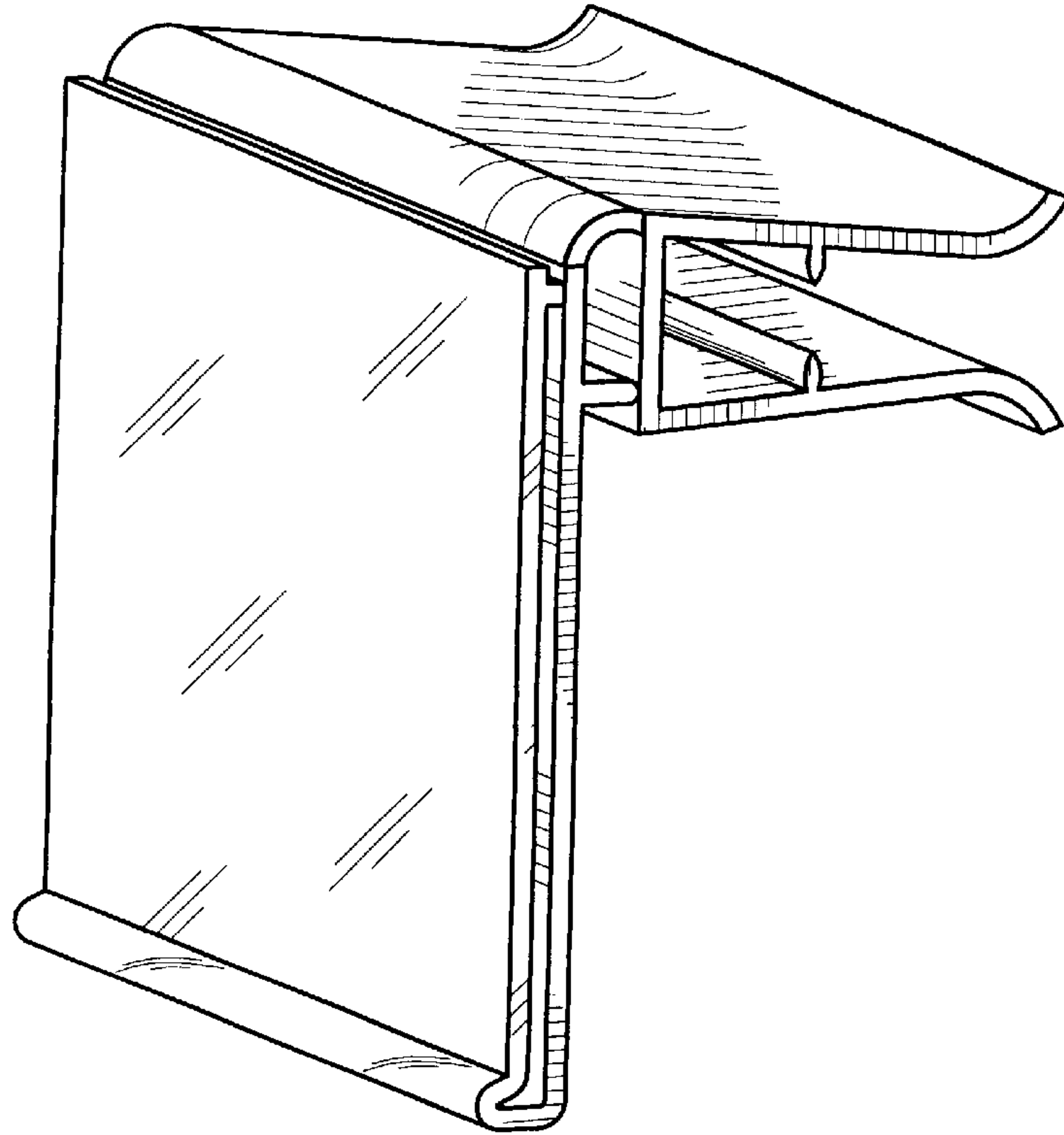


FIG. 16

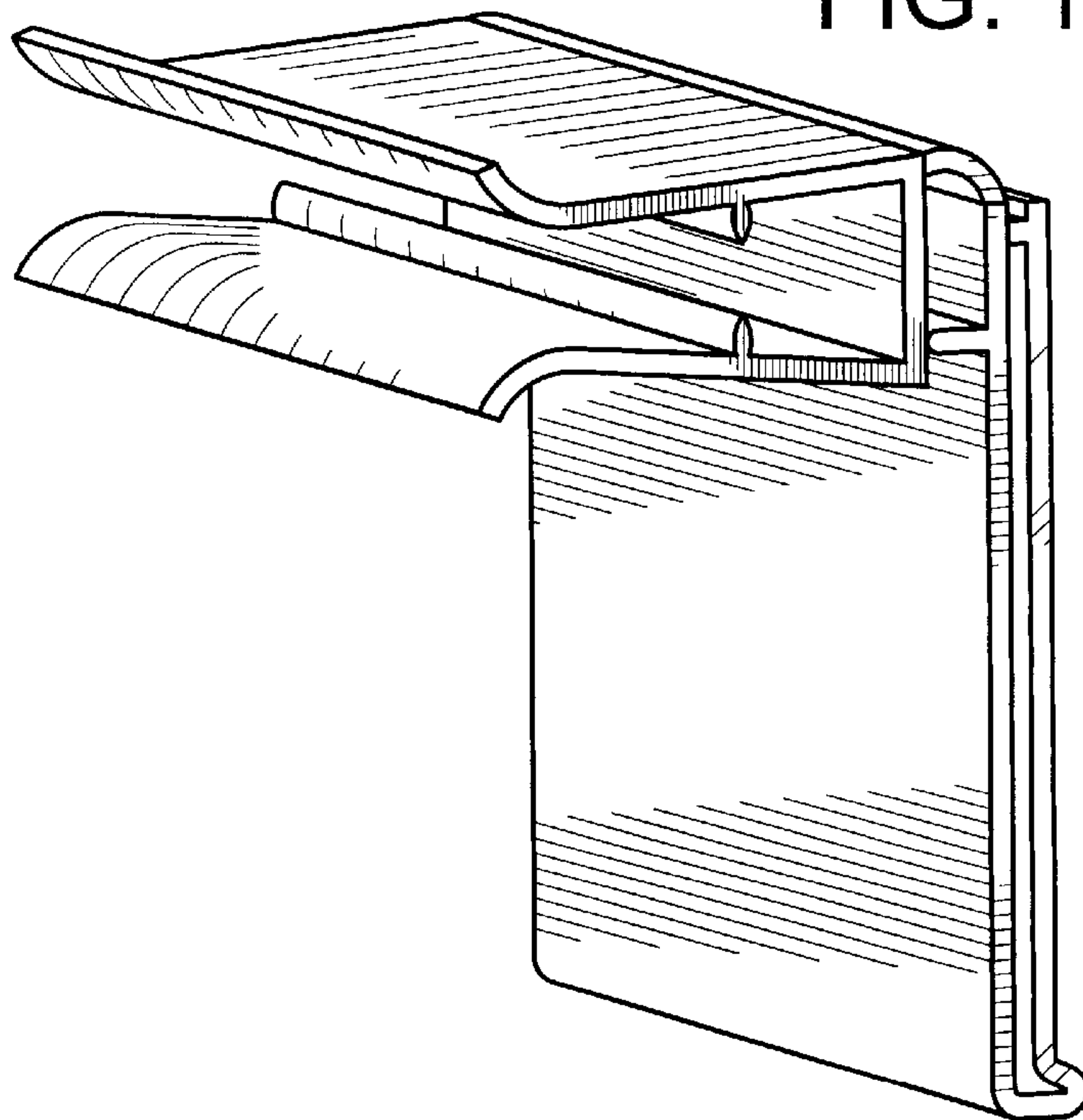




FIG. 17

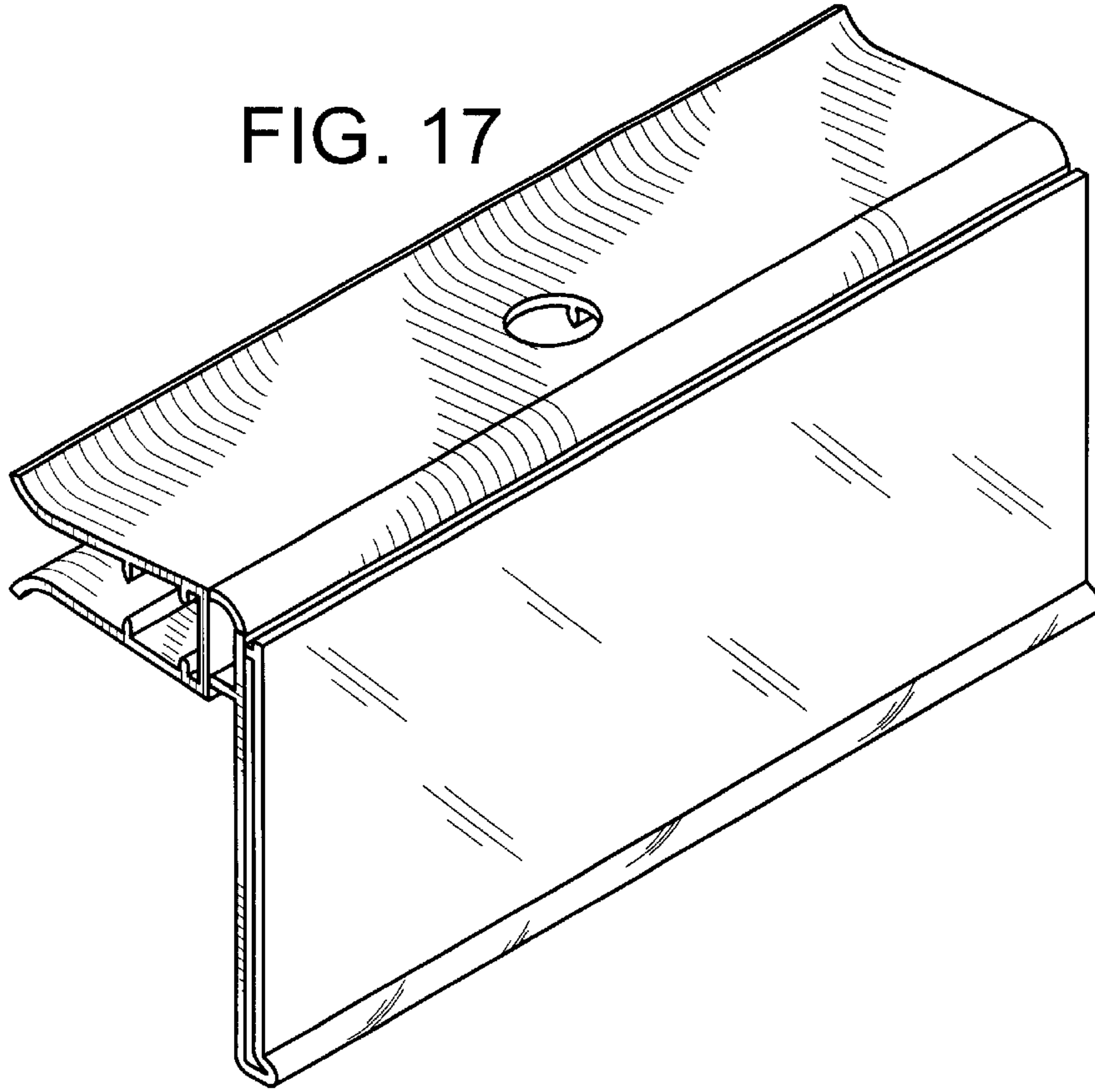


FIG. 18

