



US00D470891S

(12) **United States Design Patent**  
**Grosz**

(10) **Patent No.:** **US D470,891 S**

(45) **Date of Patent:** **\*\* Feb. 25, 2003**

(54) **POSTER DISPLAY DEVICE**

(75) Inventor: **Samuel Grosz**, Toronto (CA)

(73) Assignee: **G&S Regal Group Inc.**, Downsview

(\*\*) Term: **14 Years**

(21) Appl. No.: **29/138,632**

(22) Filed: **Mar. 19, 2001**

(51) **LOC (7) Cl.** ..... **20-02**

(52) **U.S. Cl.** ..... **D20/41**

(58) **Field of Search** ..... D10/109, 114;  
D19/96; D20/10, 17, 19, 21, 28, 39, 41,  
99; 40/606, 607; 174/45 R

(56) **References Cited**

**U.S. PATENT DOCUMENTS**

1,085,145	A	*	1/1914	Massey	.....	174/45 R
1,164,909	A	*	12/1915	Auberlin	.....	40/607
1,292,137	A	*	1/1919	Strout	.....	40/607
D60,887	S	*	4/1922	Tuttle	.....	D19/96
1,443,247	A	*	1/1923	Wrightman	.....	40/607
1,956,303	A	*	4/1934	Watson	.....	40/606
1,971,661	A	*	8/1934	Sapio	.....	40/607
D124,524	S	*	1/1941	Benioff	.....	D20/28
D164,214	S	*	8/1951	Wiehe	.....	D20/174
4,134,222	A	*	1/1979	Orsos	.....	40/606

D308,078	S	*	5/1990	Dallal et al.	.....	D20/10
D360,846	S	*	8/1995	Kallionpää	.....	D10/114
D379,375	S	*	5/1997	Bowman	.....	D20/10
D441,402	S	*	5/2001	Chesler	.....	D20/10

\* cited by examiner

*Primary Examiner*—Robert M. Spear

(74) *Attorney, Agent, or Firm*—Bereskin & Parr

(57) **CLAIM**

The ornamental Design for a poster display device, as shown.

**DESCRIPTION**

FIG. 1 is an isometric view from the front and to one side of the new design;

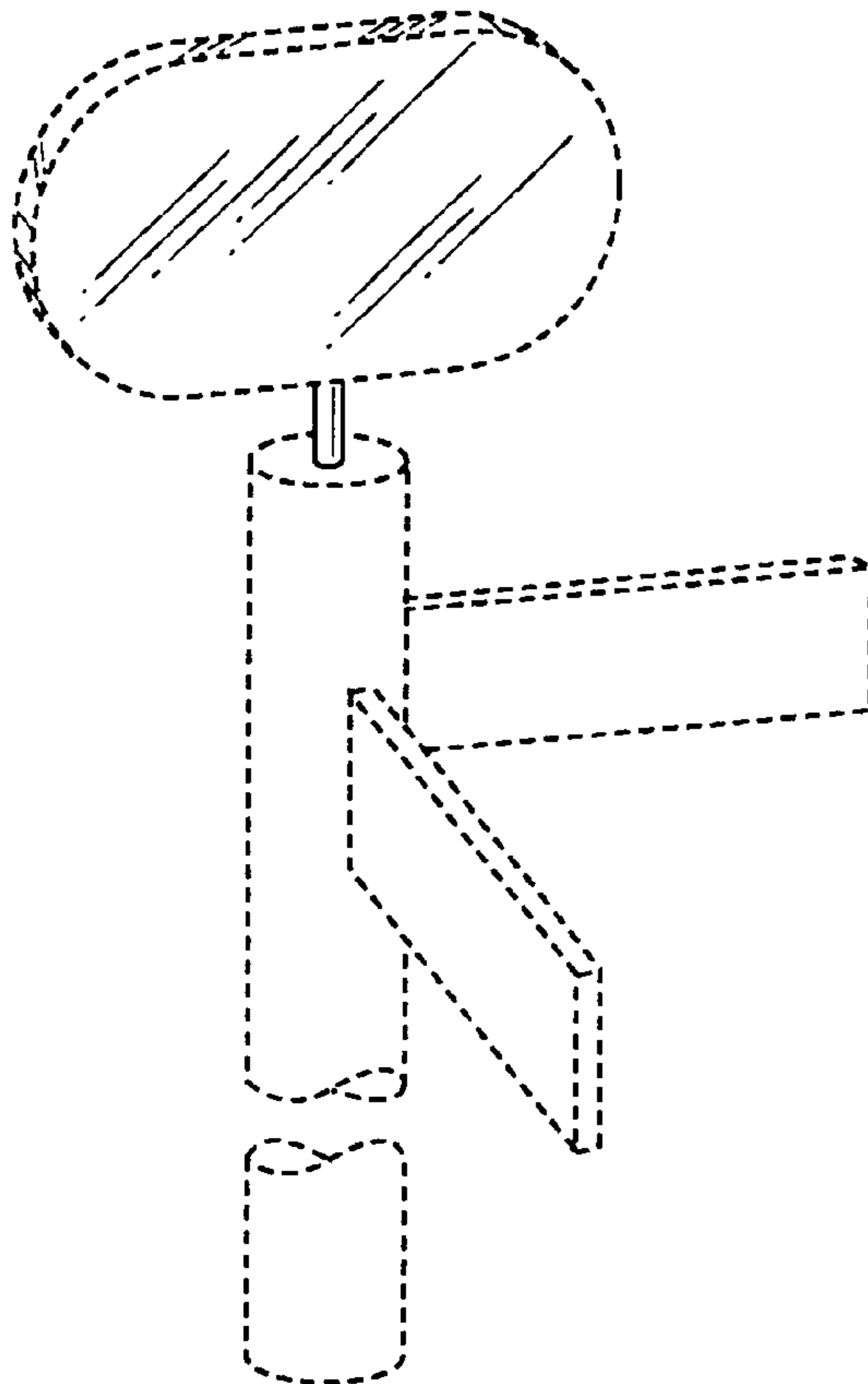
FIG. 2 is a front elevational view thereof;

FIG. 3 is a side elevational view thereof; and,

FIG. 4 is a top plan view thereof.

In the drawings, the broken lines shown encircling the shaded poster display device define the boundary of the claimed design and form no part of the claim; the broken lines below the device depict a municipal sign post and form no part of the claimed design. It is understood that the supporting structure may also be a street sign, traffic sign, traffic light standard, street light standard, utility pole, transit signpost or any other municipal signpost structure.

**1 Claim, 2 Drawing Sheets**



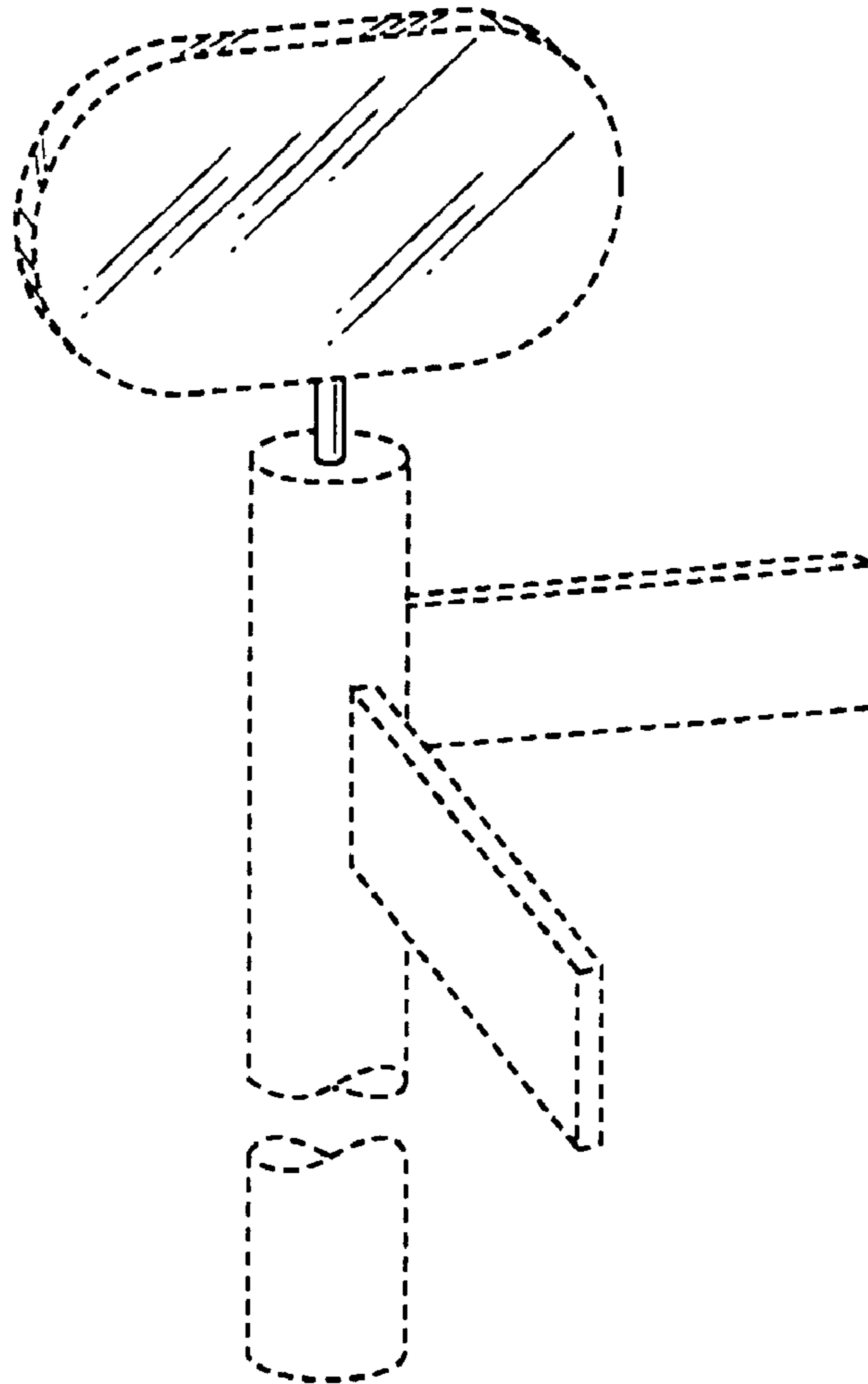
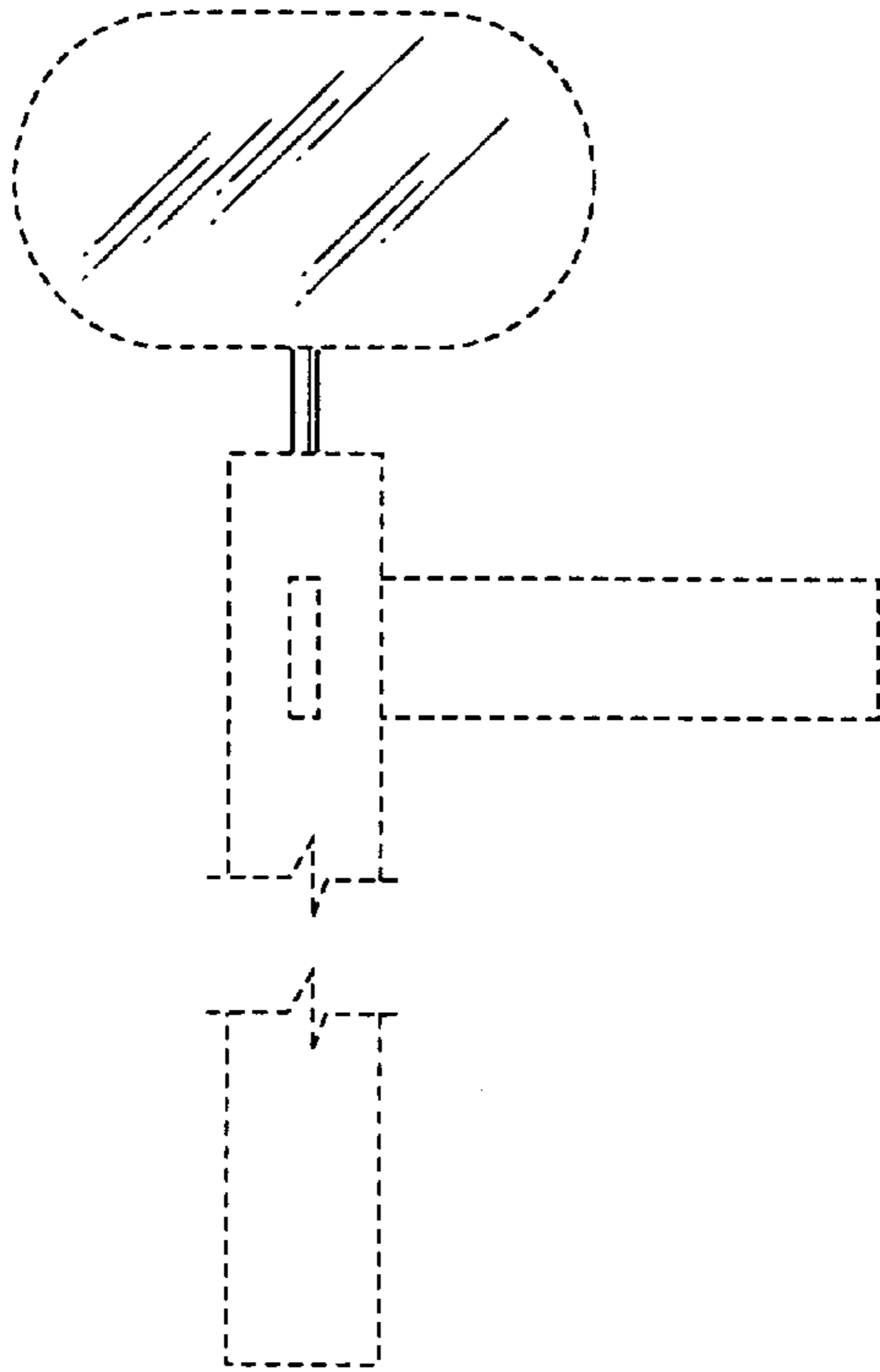
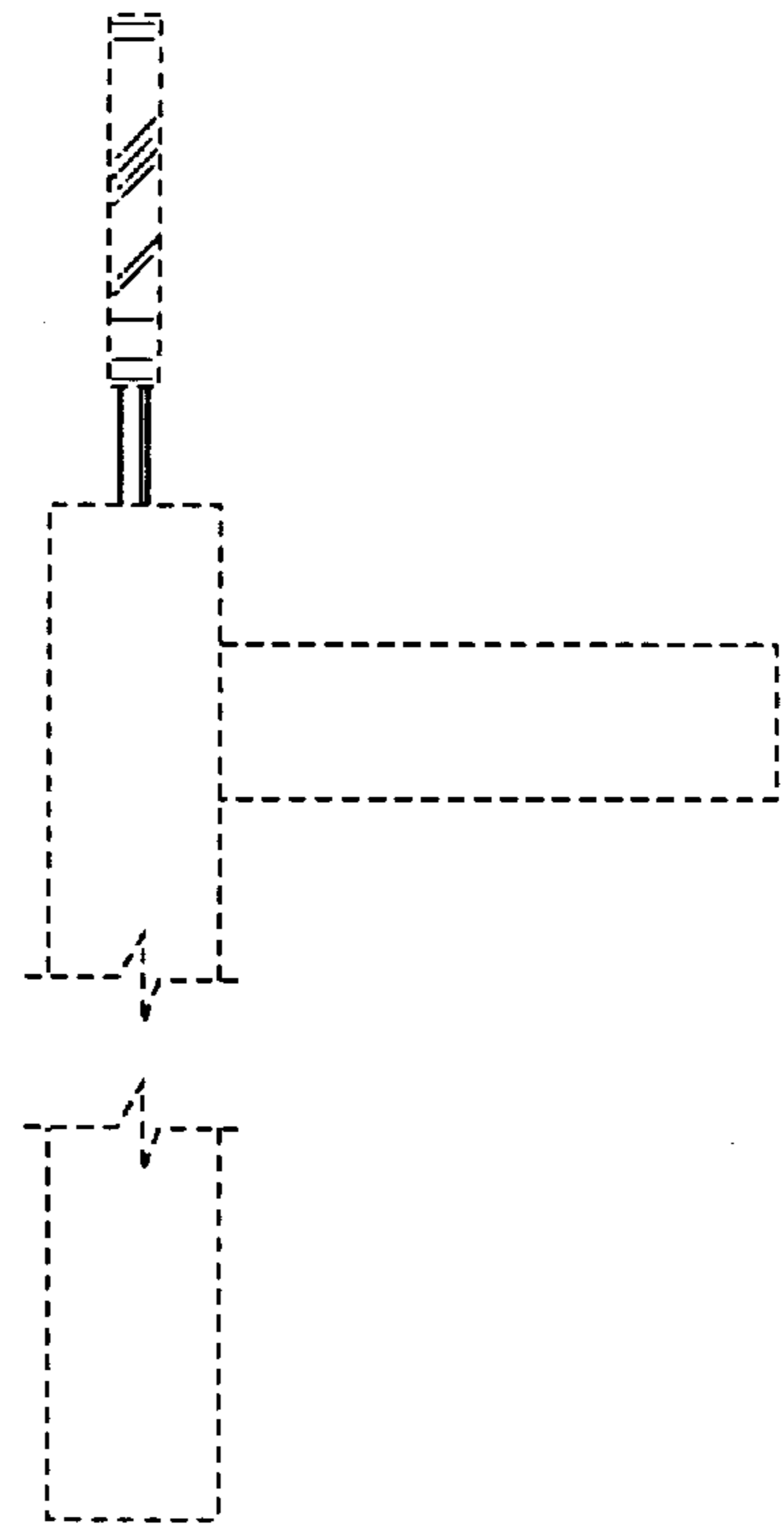


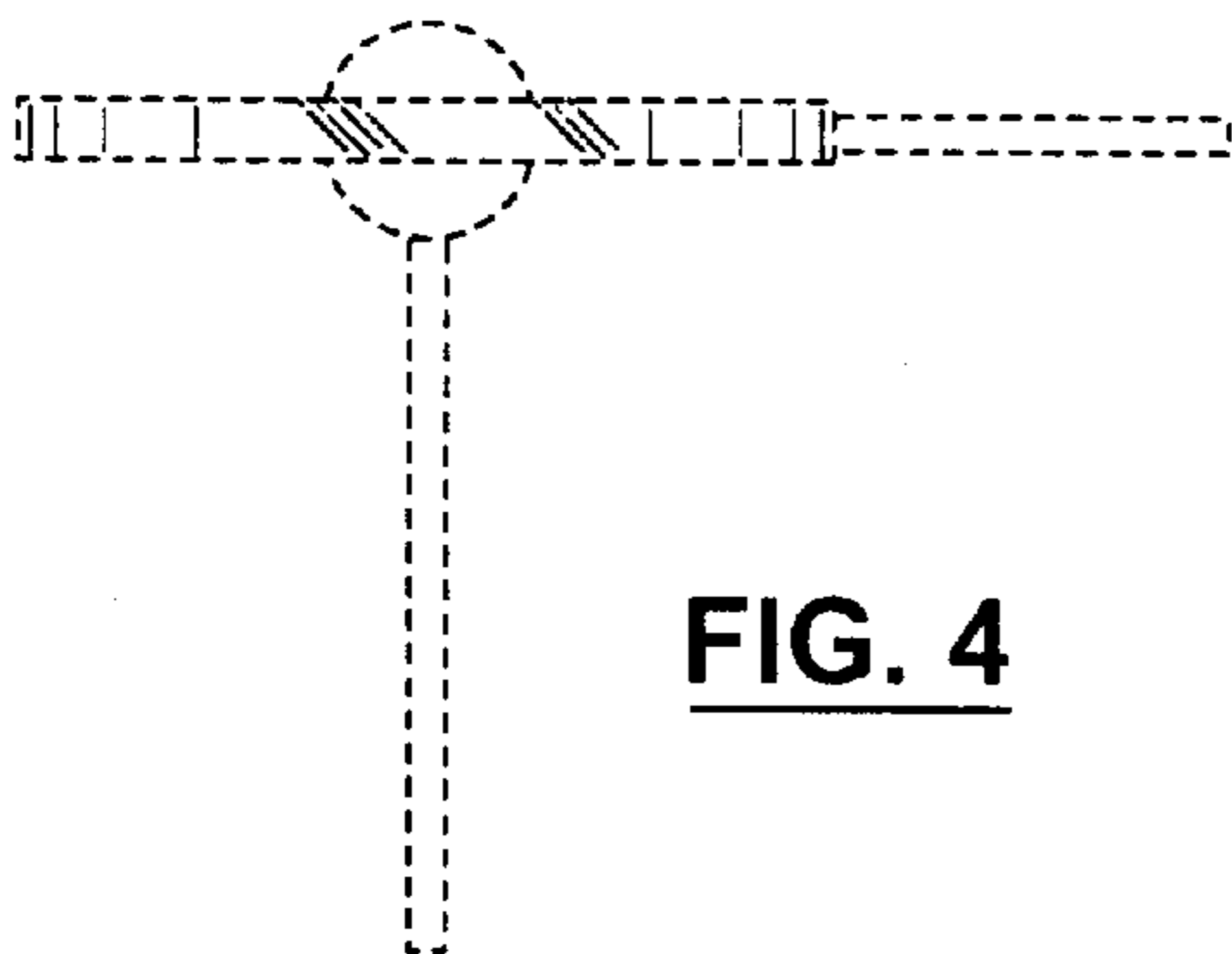
FIG. 1



**FIG. 2**



**FIG. 3**



**FIG. 4**