



US00D470884S

(12) **United States Design Patent**
Gotham et al.

(10) **Patent No.:** **US D470,884 S**

(45) **Date of Patent:** **** Feb. 25, 2003**

(54) **PRINTER WITH EXIT TRAY**

D439,274 S * 3/2001 Dwyer et al. D18/55
D443,890 S * 6/2001 Sato et al. D18/50

(75) Inventors: **David R. Gotham**, Rochester, NY (US); **Eric P. Hochreiter**, Rochester, NY (US); **Michelle M. DeMeyer**, Rochester, NY (US)

OTHER PUBLICATIONS

Kodak News, entitled "Kodak unveils new products at PMA to drive photo printing" Feb. 22, 2002, pp. 1-3.

(73) Assignee: **Eastman Kodak Company**, Rochester, NY (US)

* cited by examiner

(**) Term: **14 Years**

Primary Examiner—Cathy Anne Macormac

(74) *Attorney, Agent, or Firm*—Norman Rushefsky

(21) Appl. No.: **29/157,446**

(57) **CLAIM**

(22) Filed: **Mar. 19, 2002**

The ornamental design for a printer with exit tray, as shown and described.

(51) **LOC (7) Cl.** **14-02**

DESCRIPTION

(52) **U.S. Cl.** **D18/55**

(58) **Field of Search** D18/50, 54-55, D18/19, 36-38, 54.1; 400/691-694, 690.1-690.4, 613, 613.1-613.4

The design is embodied as a printer and particularly a thermal printer for printing color images. The printer includes an exit tray into which printed sheets of color images are collected.

(56) **References Cited**

FIG. 1 is a perspective view of the top, front and right side of the printer with exit tray showing our new design;

U.S. PATENT DOCUMENTS

FIG. 2 is a perspective view of a bottom, rear and left side thereof;

- D188,571 S * 8/1960 Yamasaki D18/36
- D221,356 S * 8/1971 Penney D18/36
- D294,367 S * 2/1988 Nishibori et al. D18/4
- 4,746,233 A * 5/1988 Osuna et al. D18/54.1
- D303,985 S * 10/1989 Tomoike D18/4
- D325,927 S * 5/1992 Fushiya D18/54
- D350,150 S * 8/1994 Weitkamp D18/50
- 5,397,190 A * 3/1995 Iida D18/50
- D362,673 S * 9/1995 Yamamoto D18/19
- D390,591 S * 2/1998 Okamoto et al. D18/39

FIG. 3 is a front elevational view thereof;

FIG. 4 is a rear elevational view thereof;

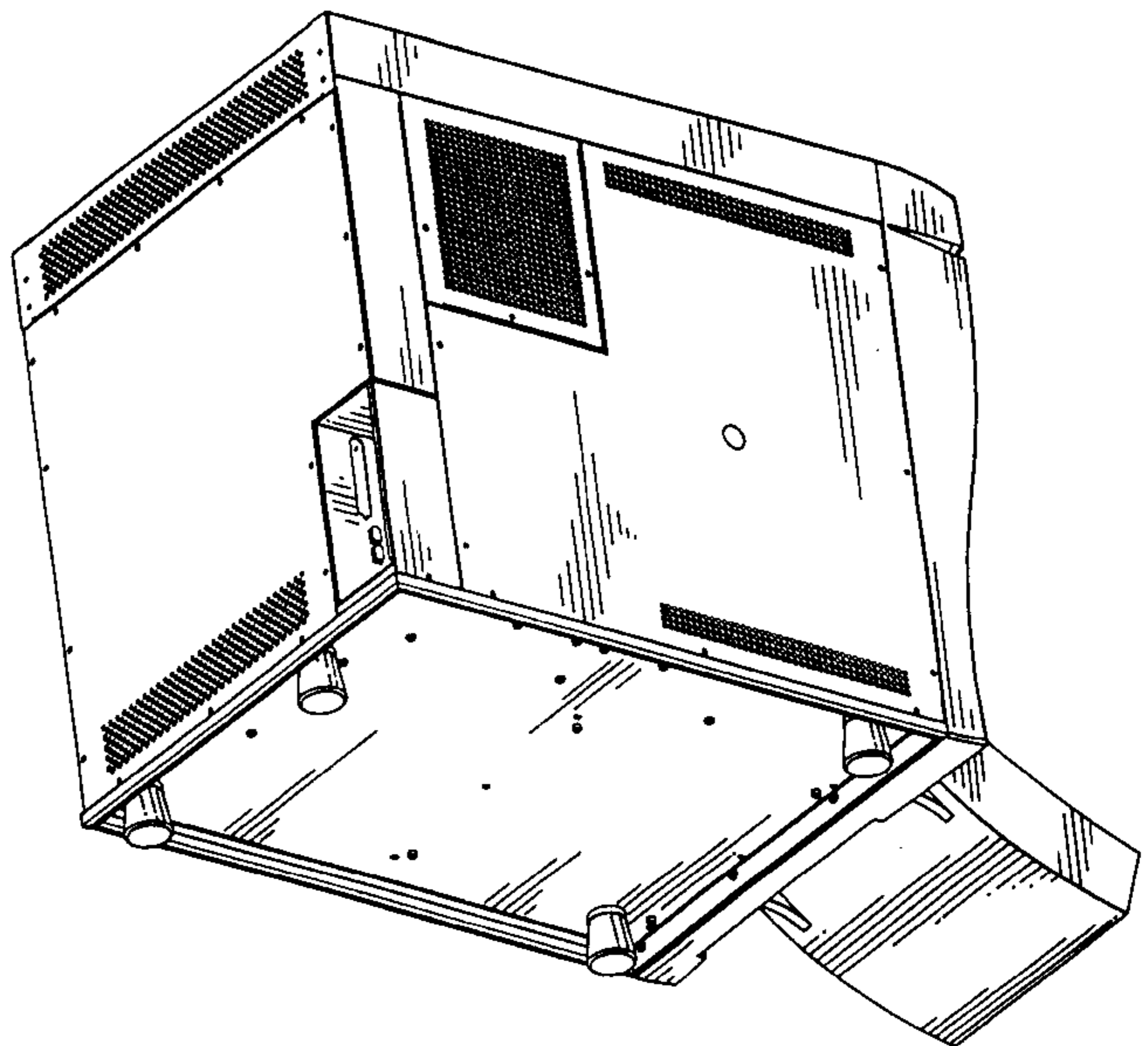
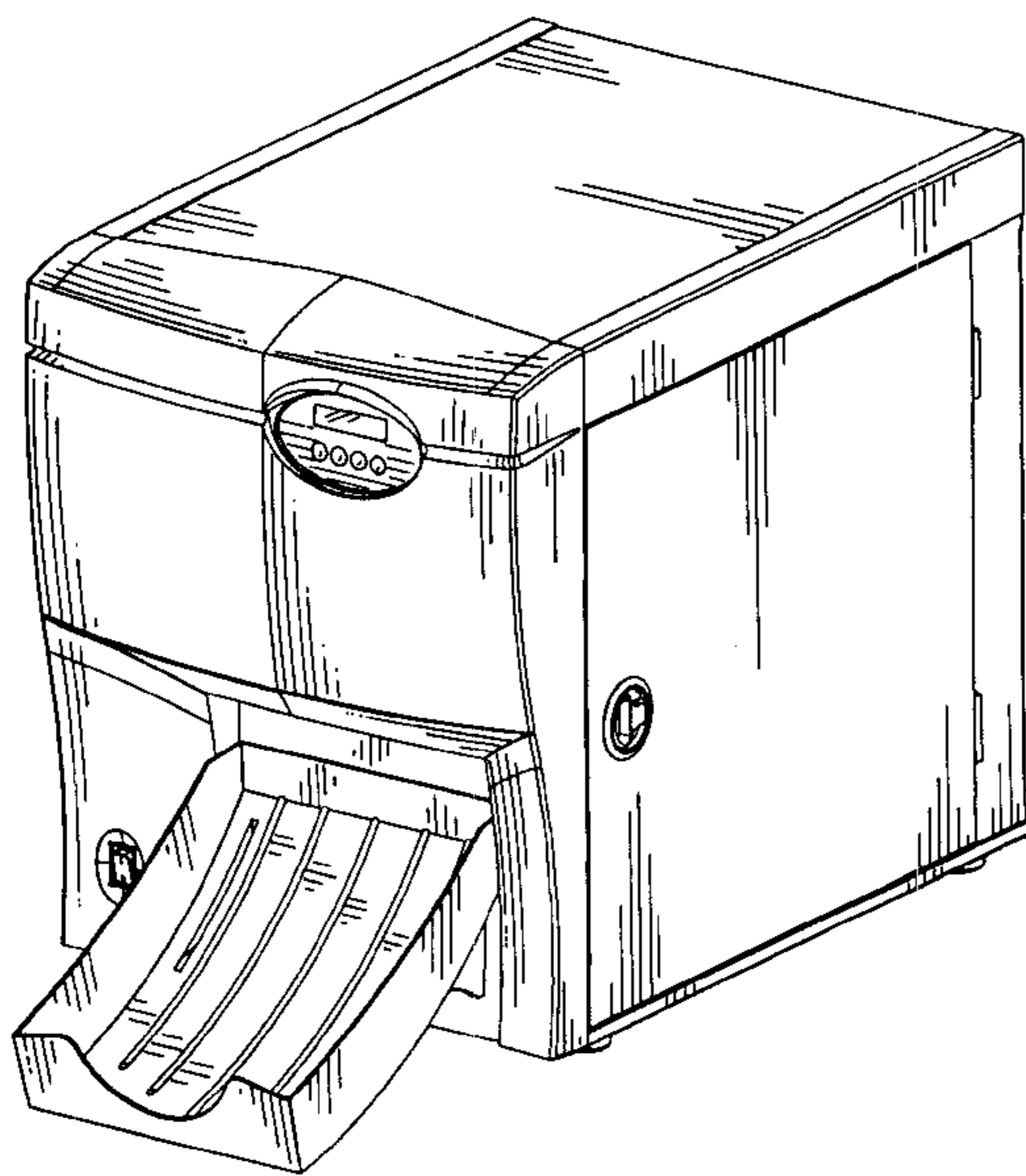
FIG. 5 is a top plan view thereof;

FIG. 6 is a bottom plan view thereof;

FIG. 7 is a right side elevational view thereof; and,

FIG. 8 is a left side elevational view thereof.

1 Claim, 8 Drawing Sheets



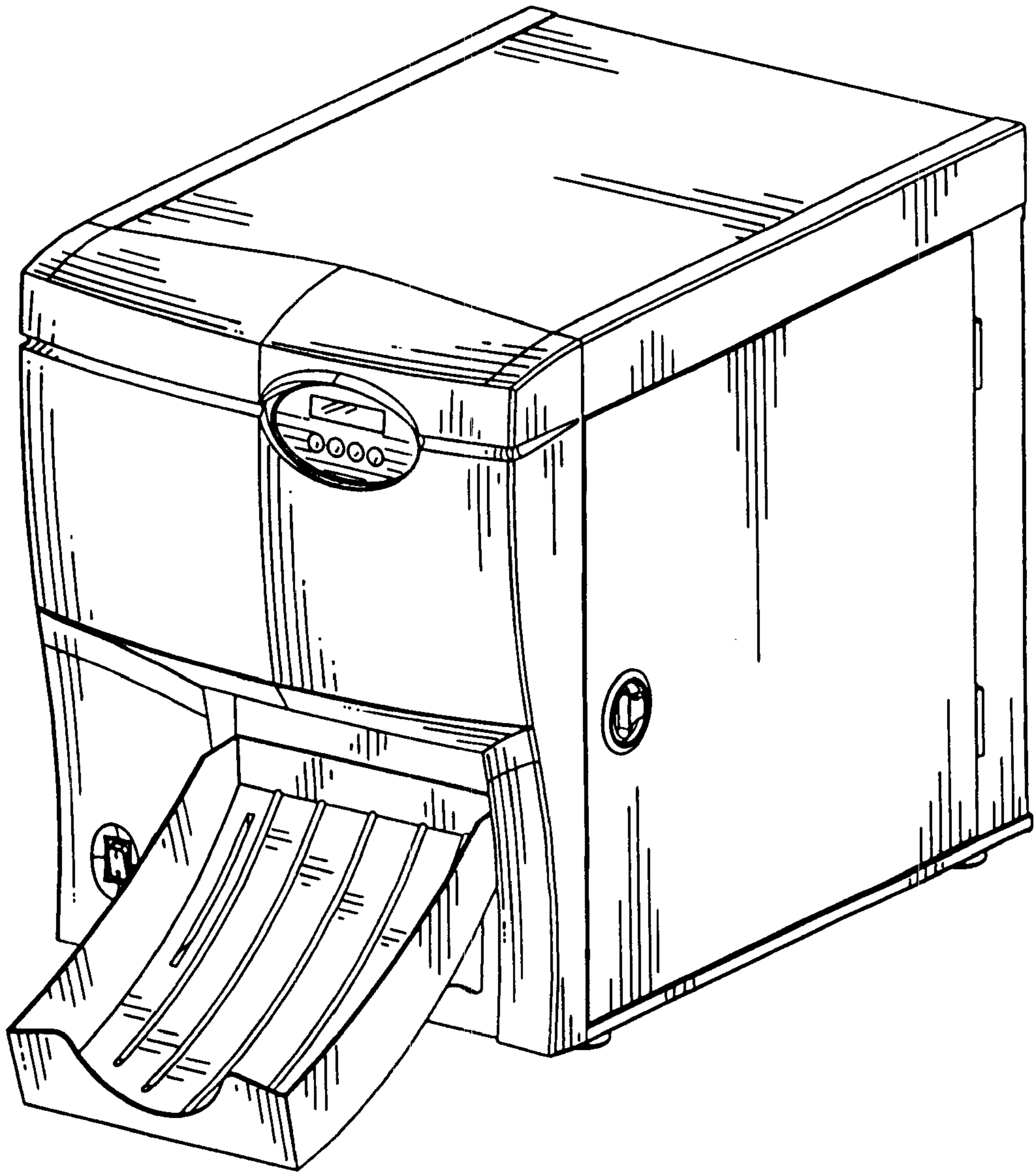


FIG. 1

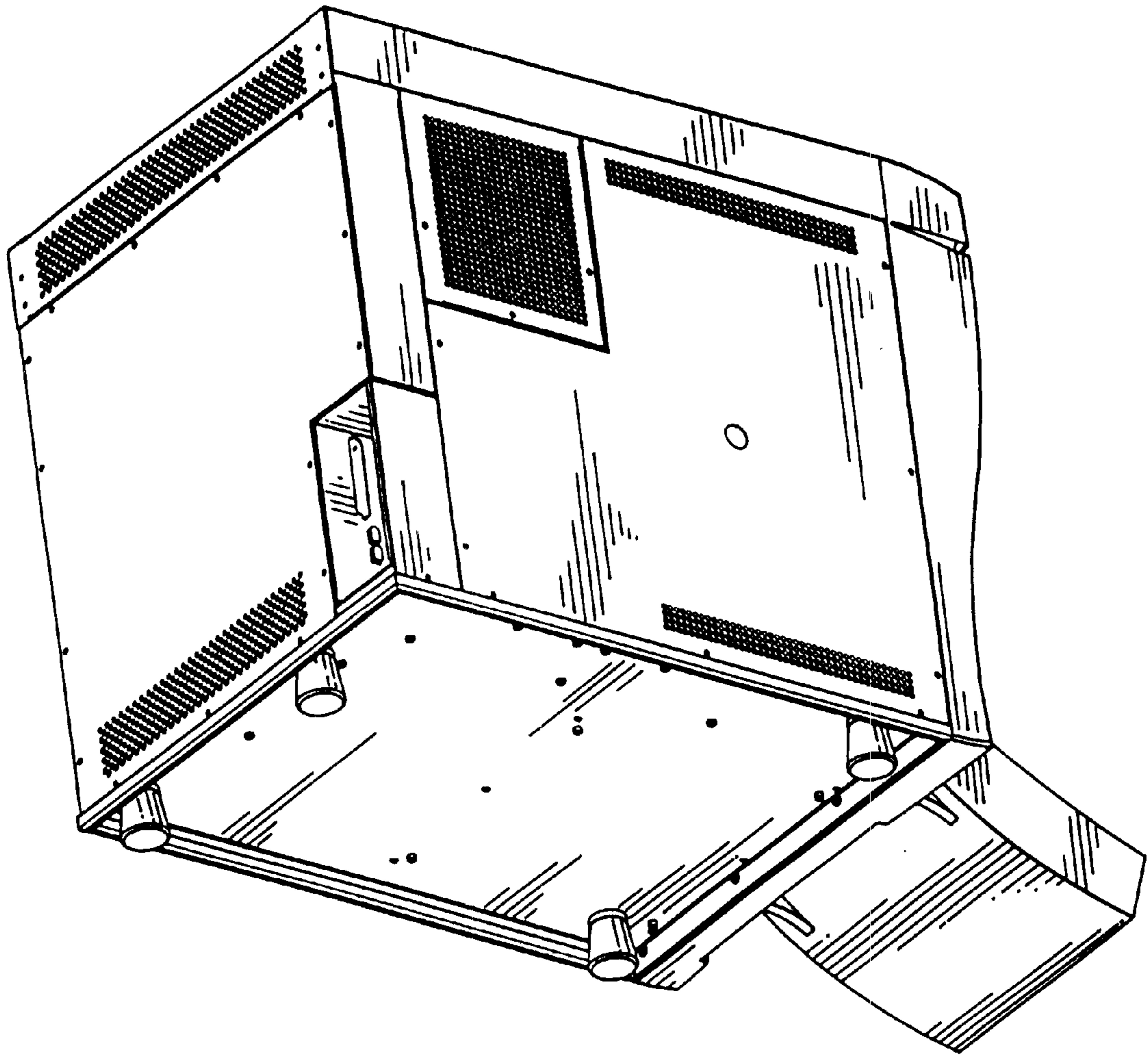


FIG. 2

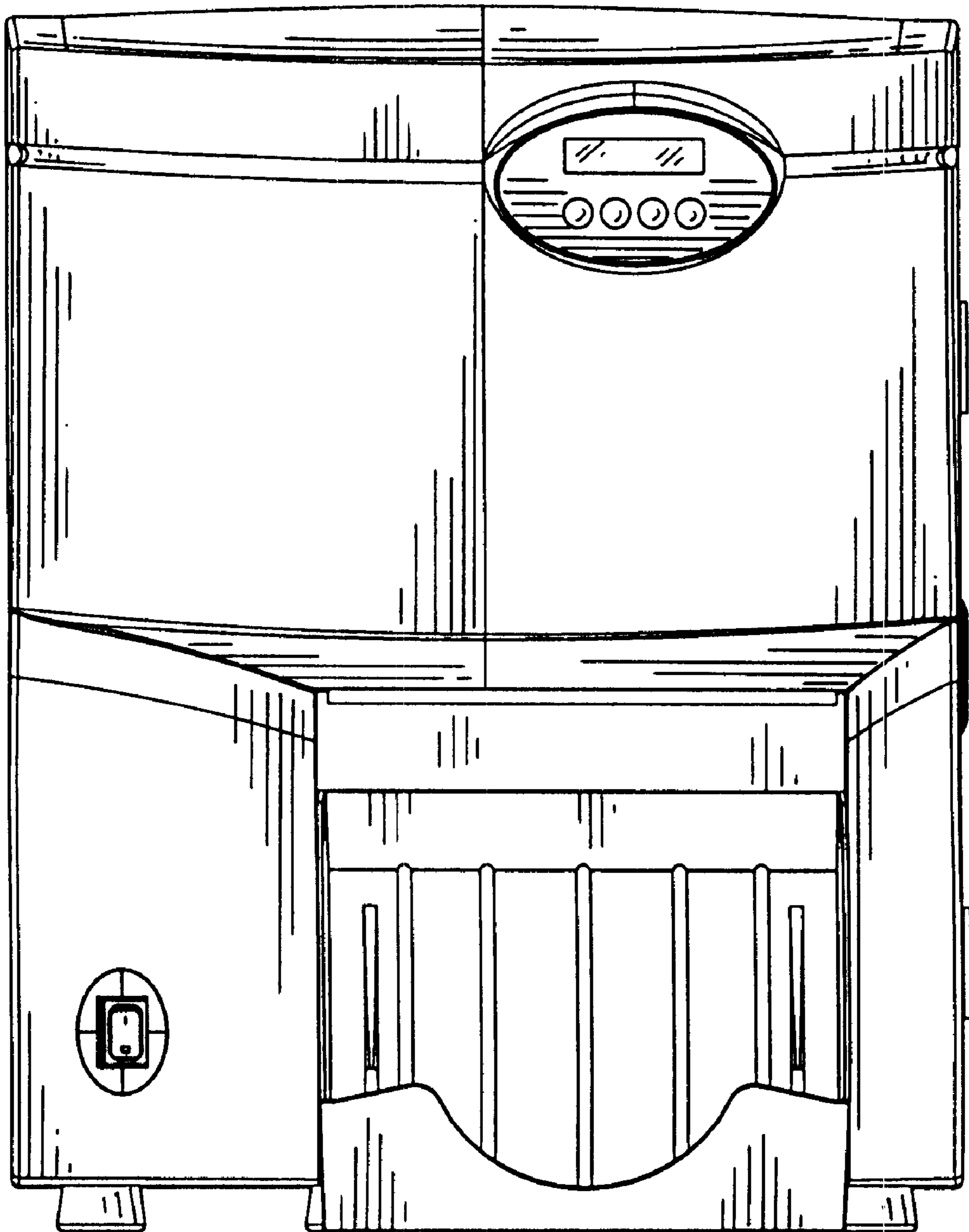


FIG. 3

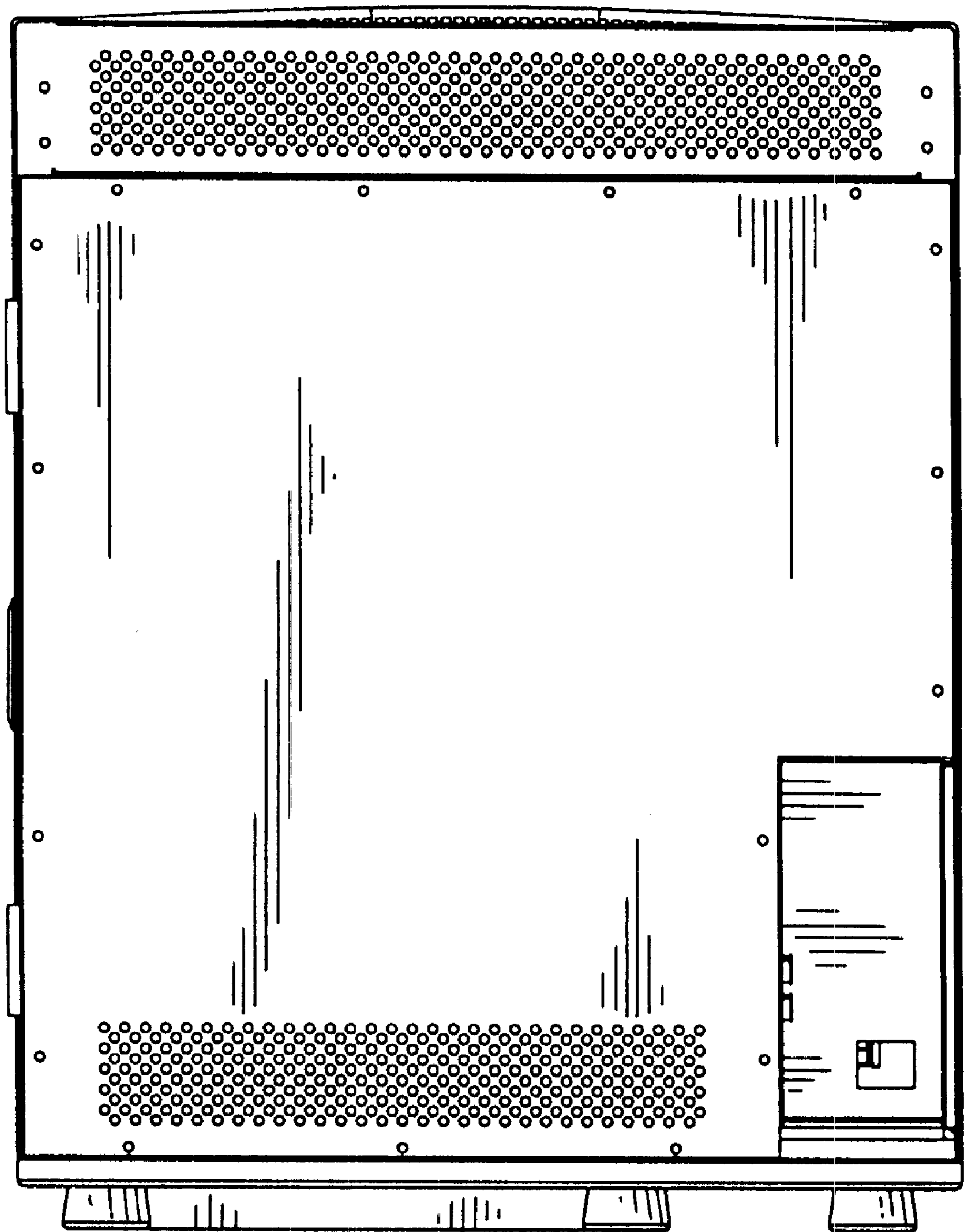


FIG. 4

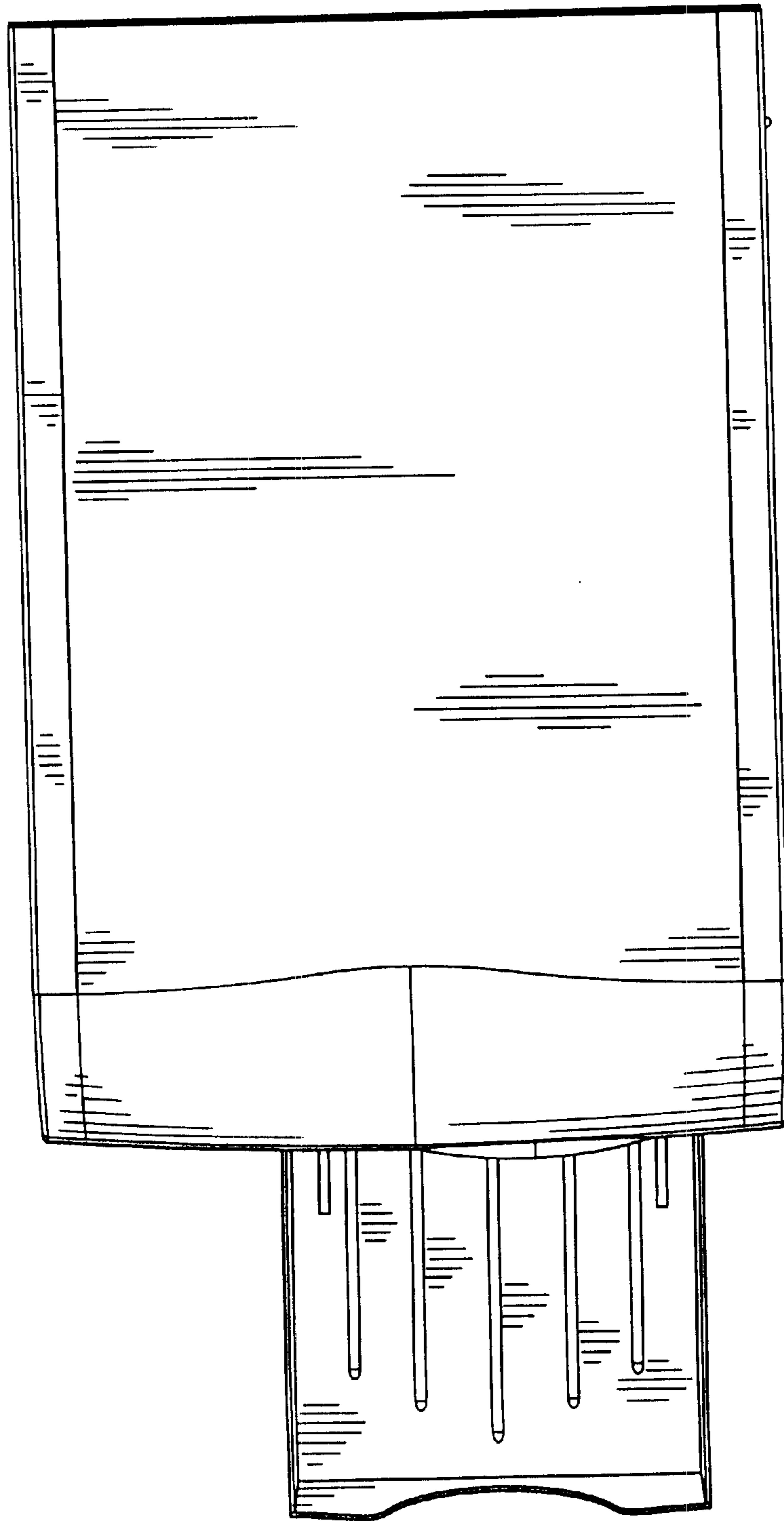


FIG. 5

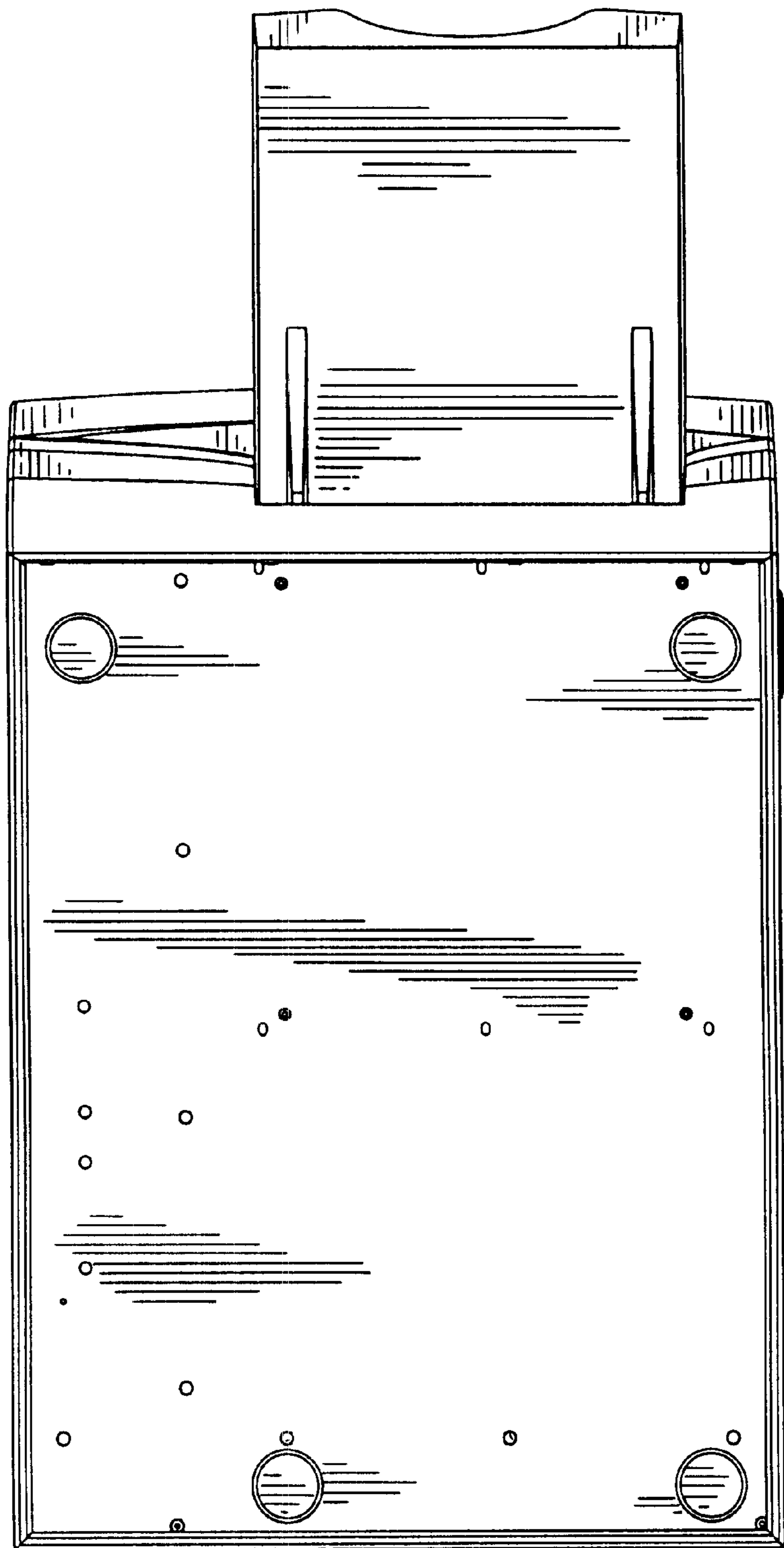


FIG. 6

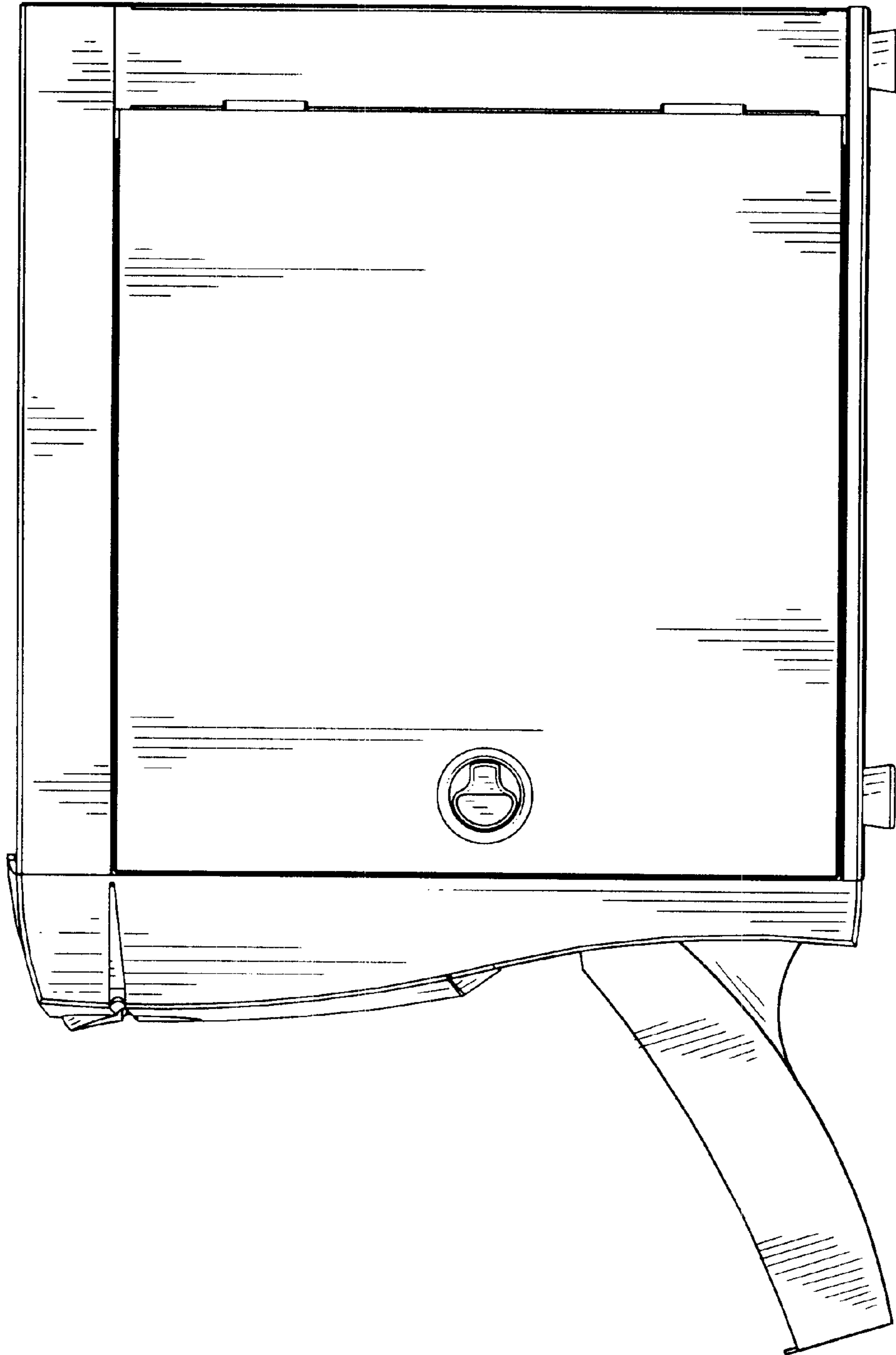


FIG. 7

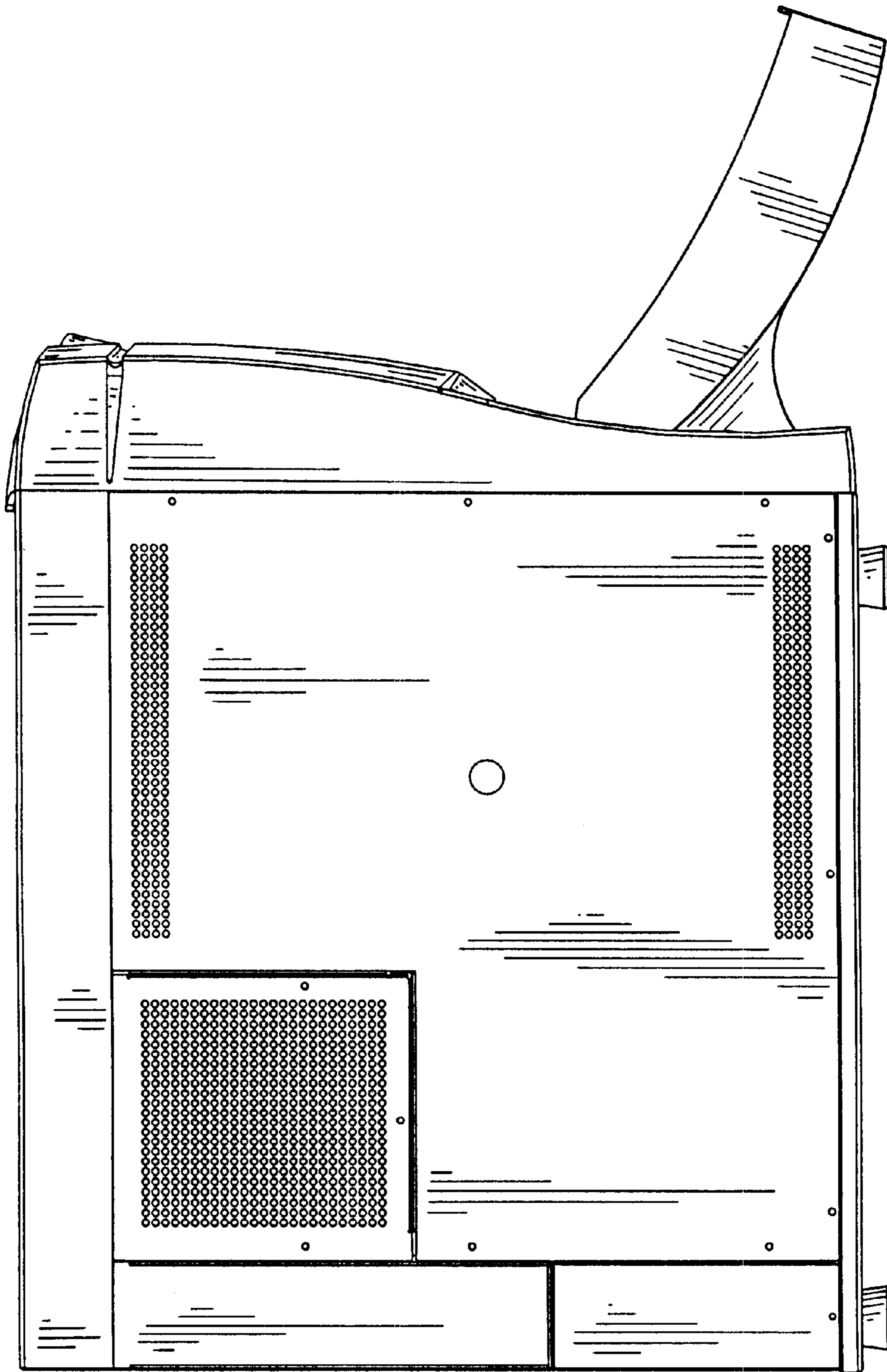


FIG. 8