



US00D470880S

(12) **United States Design Patent**
Sakai

(10) **Patent No.:** **US D470,880 S**

(45) **Date of Patent:** **** Feb. 25, 2003**

(54) **SWIM GOGGLE WITH TIMER**
(76) Inventor: **Christopher J. Sakai**, 857 Garland Dr.,
Palo Alto, CA (US) 94303
(**) Term: **14 Years**

D377,038 S 12/1996 Yashiro D16/311
5,585,871 A * 12/1996 Linden 351/158
411,559 A 6/1999 Chou D16/303
5,921,890 A * 7/1999 Miley 2/426
D457,548 S 5/2002 Chiang D16/303

* cited by examiner

(21) Appl. No.: **29/168,345**
(22) Filed: **Sep. 30, 2002**

Primary Examiner—Raphael Barkai
(74) *Attorney, Agent, or Firm*—David R. Gildea

(51) **LOC (7) Cl.** **16-06**
(52) **U.S. Cl.** **D16/303; D16/309**
(58) **Field of Search** D16/101, 300–330;
351/41, 43, 158; 2/426, 440–444, 452,
430, 432, 428

(57) **CLAIM**

I claim the ornamental design for a swim goggle with timer, as shown and described.

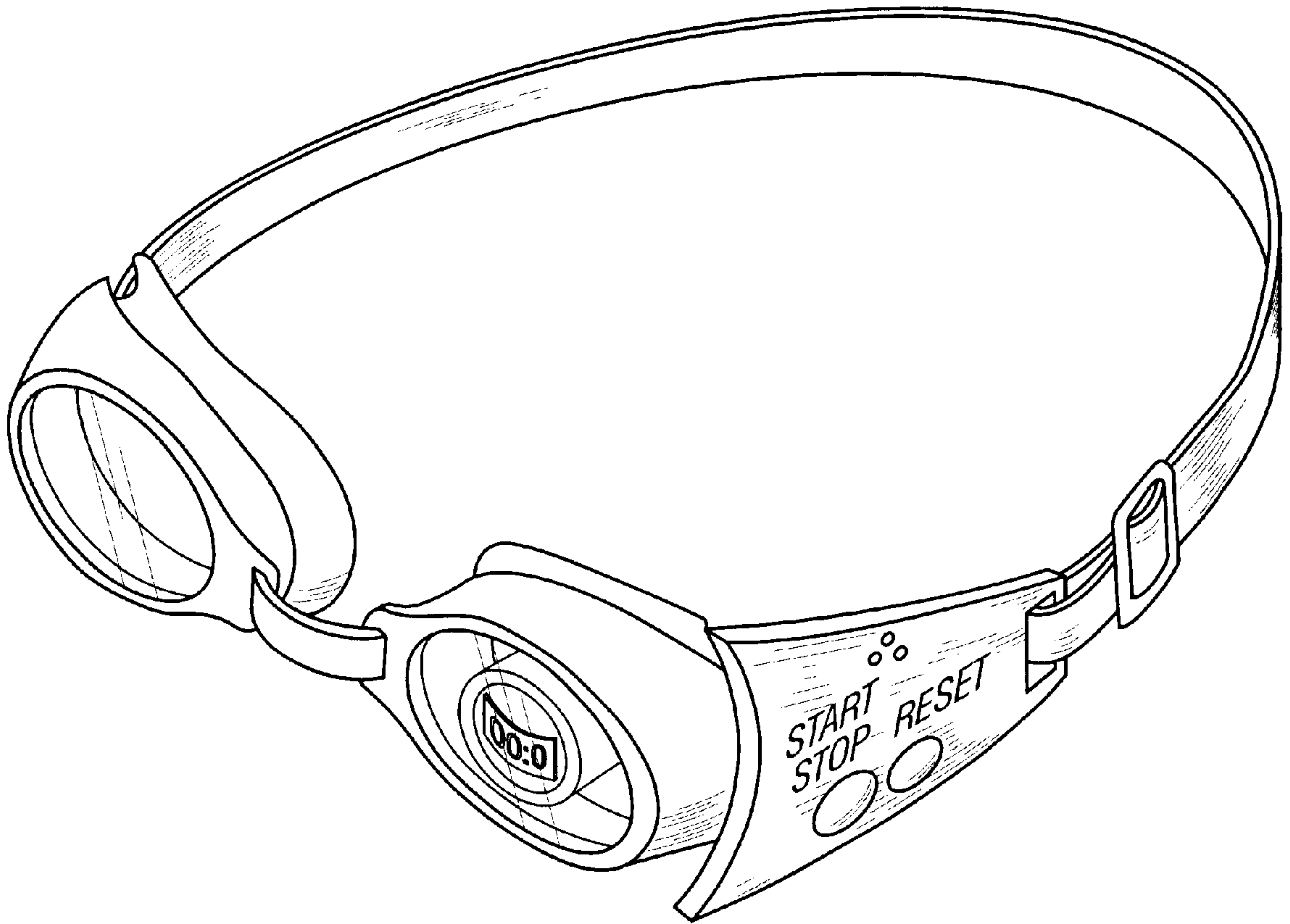
(56) **References Cited**
U.S. PATENT DOCUMENTS

DESCRIPTION

FIG. 1 is a front top perspective view of a swim goggle with timer according to the present invention;
FIG. 2 is a front elevation view thereof;
FIG. 3 is a top view thereof;
FIG. 4 is a rear elevation view thereof;
FIG. 5 is a bottom view thereof
FIG. 6 is a left side elevation view thereof; and,
FIG. 7 is a right side elevation view thereof.

4,628,418 A * 12/1986 Chabria 362/116
D391,283 S 2/1988 Yamamoto D16/311
4,776,045 A 10/1988 Mysliwiec et al. 2/426
4,796,987 A 1/1989 Linden 351/158
5,258,785 A * 11/1993 Dawkins, Jr. 351/43
D352,514 S 11/1994 Shelton D16/303
5,402,188 A 3/1995 Wayne 351/43

1 Claim, 4 Drawing Sheets



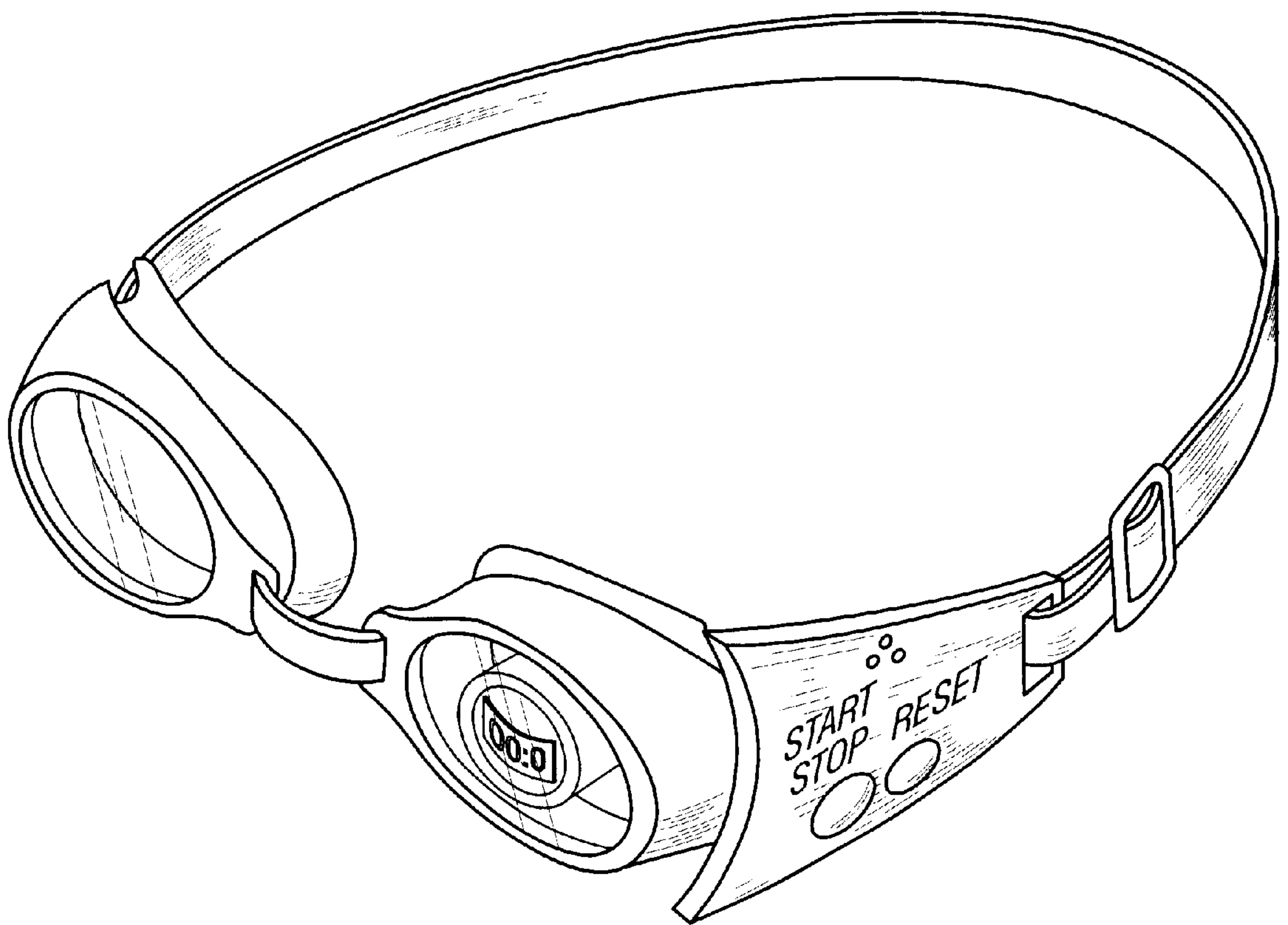


FIG. 1

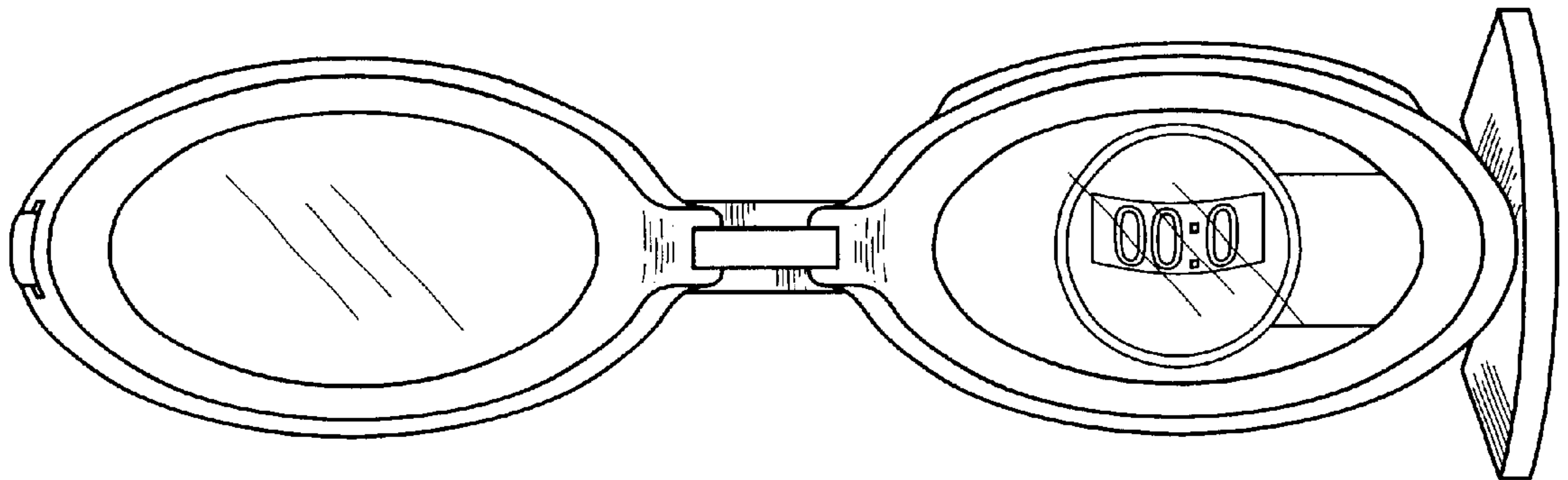


FIG. 2

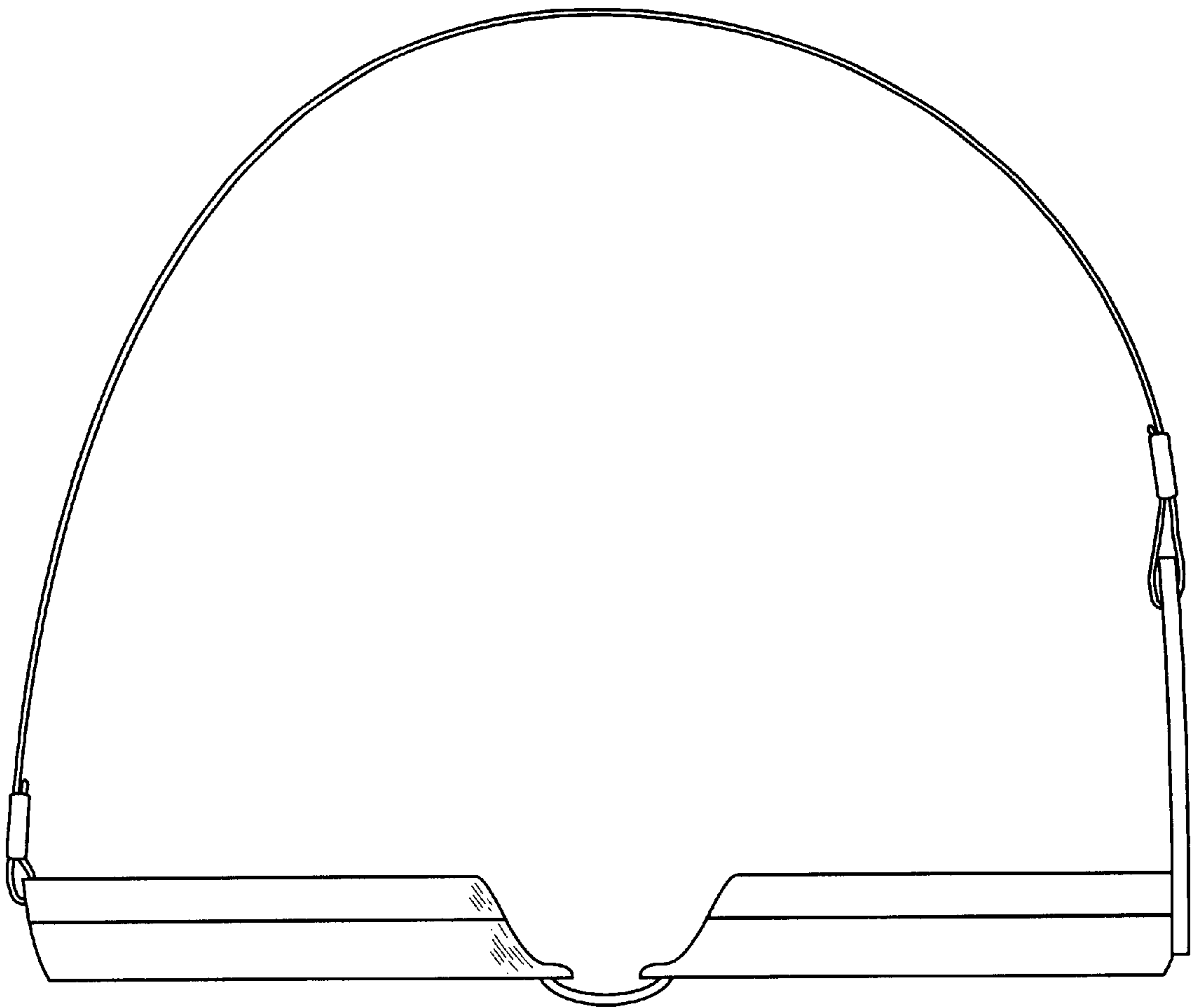


FIG. 3

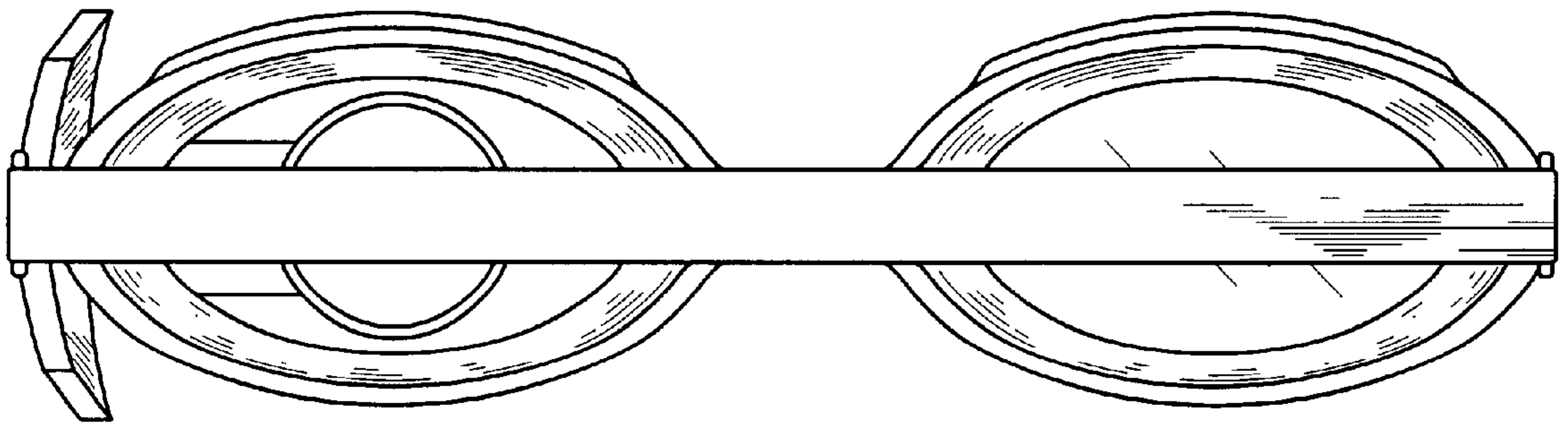


FIG. 4

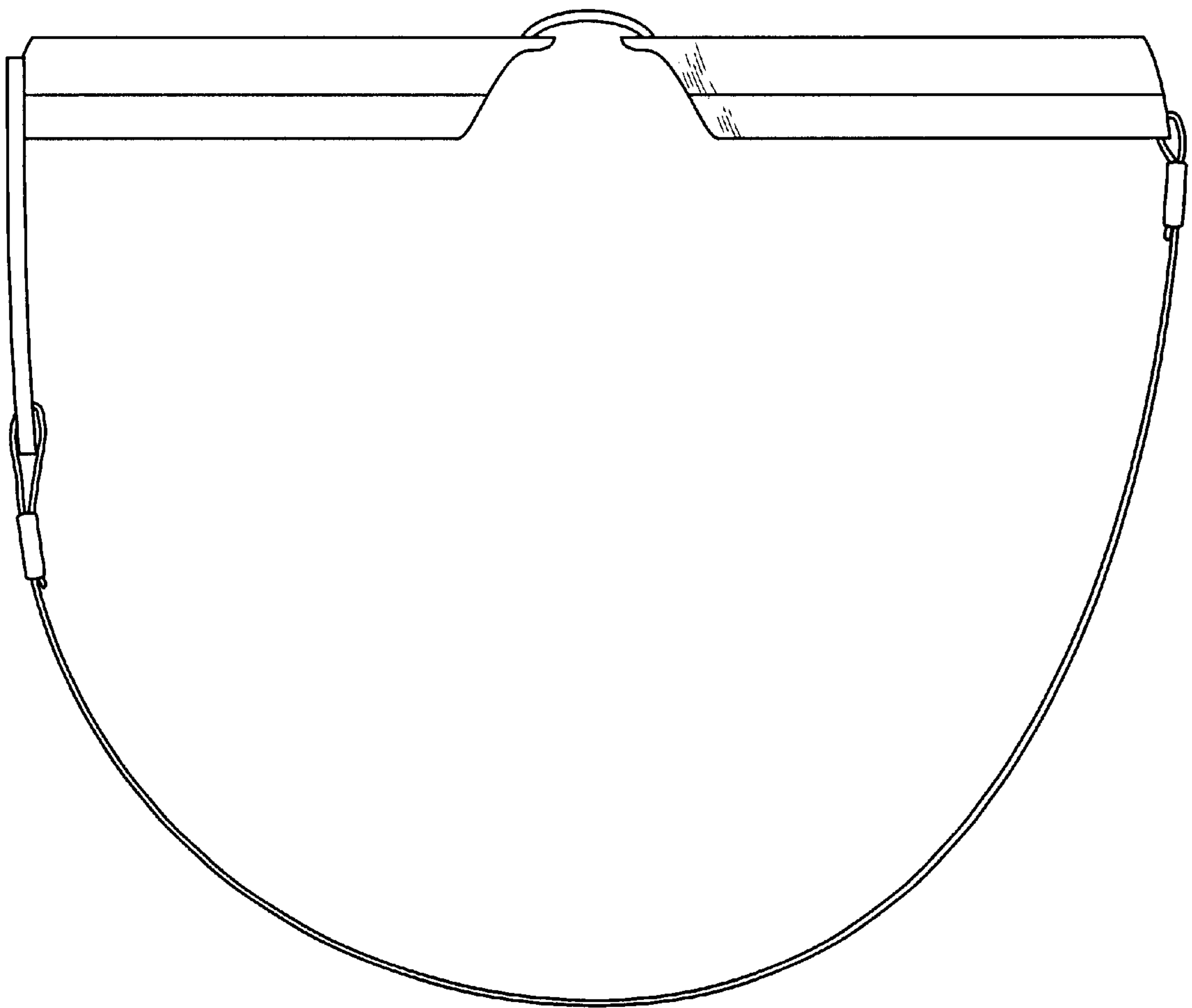


FIG. 5

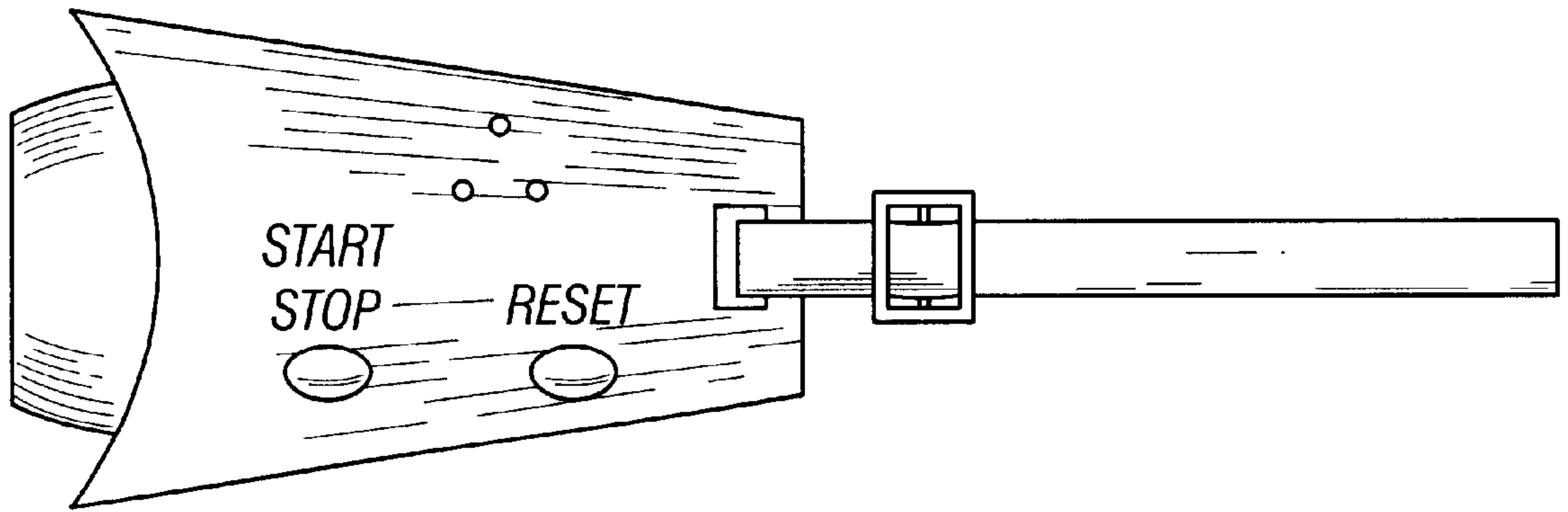


FIG. 6

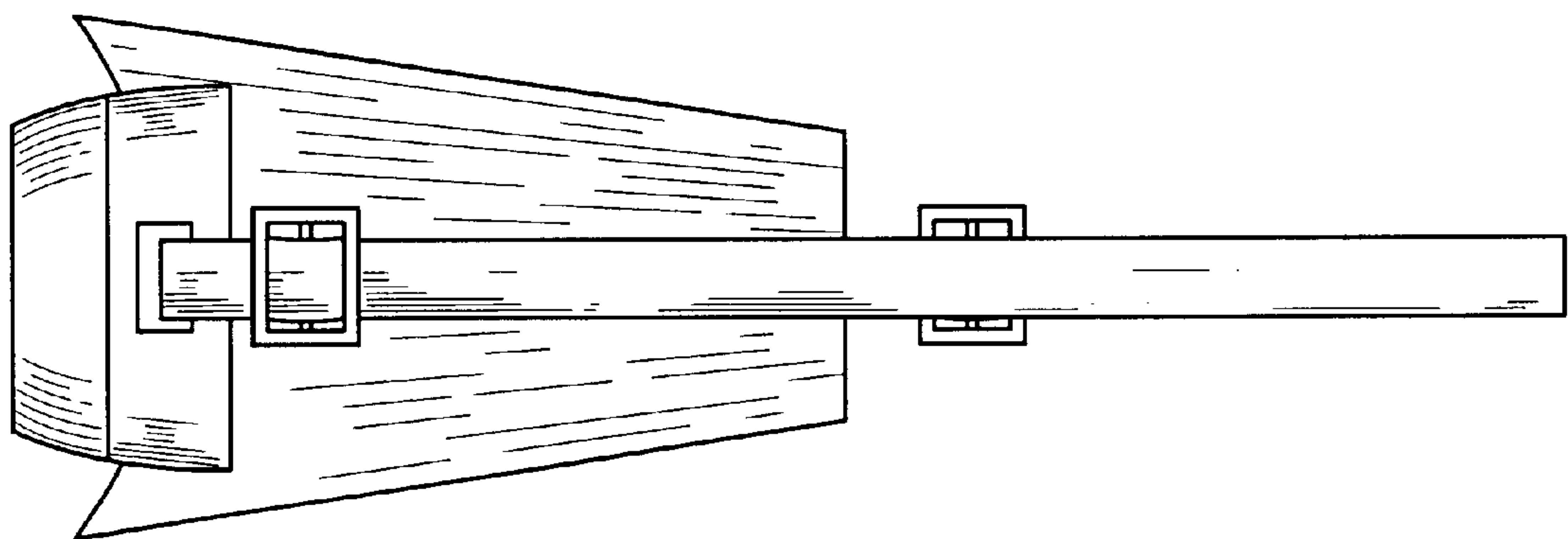


FIG. 7