



US00D470875S

(12) **United States Design Patent**  
**Liao**

(10) **Patent No.:** **US D470,875 S**

(45) **Date of Patent:** **\*\* Feb. 25, 2003**

(54) **DIGITAL CAMERA**

(75) **Inventor:** **Li Chung Liao, Taipei Hsien (TW)**

(73) **Assignee:** **Chicony Electronics Co., Ltd., Taipei Hsien (TW)**

(\*\*) **Term:** **14 Years**

(21) **Appl. No.:** **29/160,545**

(22) **Filed:** **May 14, 2002**

(51) **LOC (7) Cl.** ..... **16-01**

(52) **U.S. Cl.** ..... **D16/202**

(58) **Field of Search** ..... **D16/200-205,**  
**D16/208, 218; 348/14.01-14.09, 14.1, 373,**  
**374-376; 358/909.1; 396/535-541**

(56) **References Cited**

**U.S. PATENT DOCUMENTS**

D392,299 S	*	3/1998	Lin	.....	D16/202
5,855,343 A	*	1/1999	Krekelberg	.....	248/121
D430,587 S	*	9/2000	Summit	.....	D16/202
D433,432 S	*	11/2000	Prather et al.	.....	D16/202
D440,244 S	*	4/2001	Prather et al.	.....	D16/202

D442,202 S	*	5/2001	Pfeifer et al.	.....	D16/202
6,239,841 B1	*	5/2001	Verstockt et al.	.....	348/373
D452,259 S	*	12/2001	Choi	.....	D16/202

\* cited by examiner

*Primary Examiner*—Adir Aronovich

(74) *Attorney, Agent, or Firm*—Rabin & Berdo, P.C.

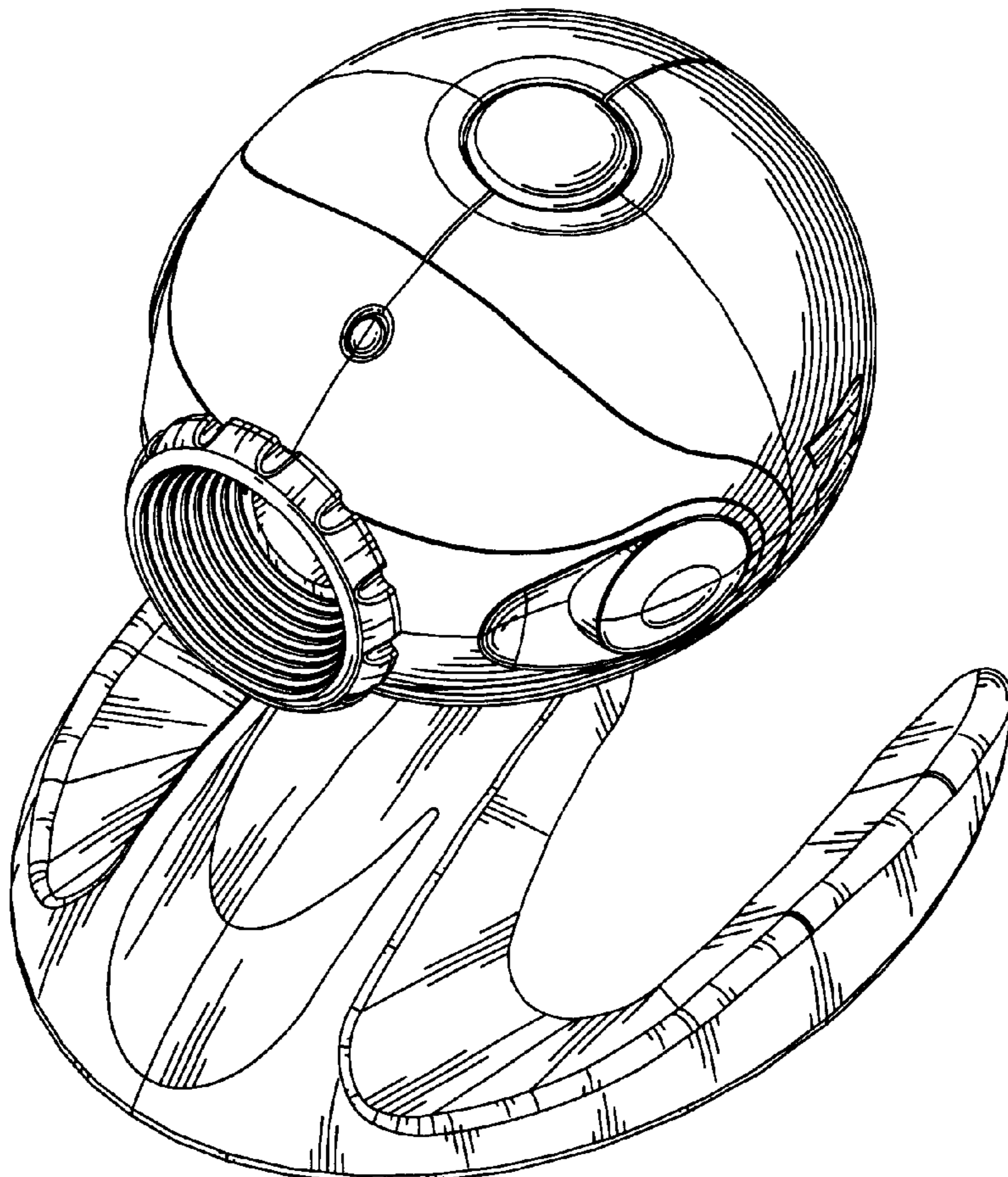
(57) **CLAIM**

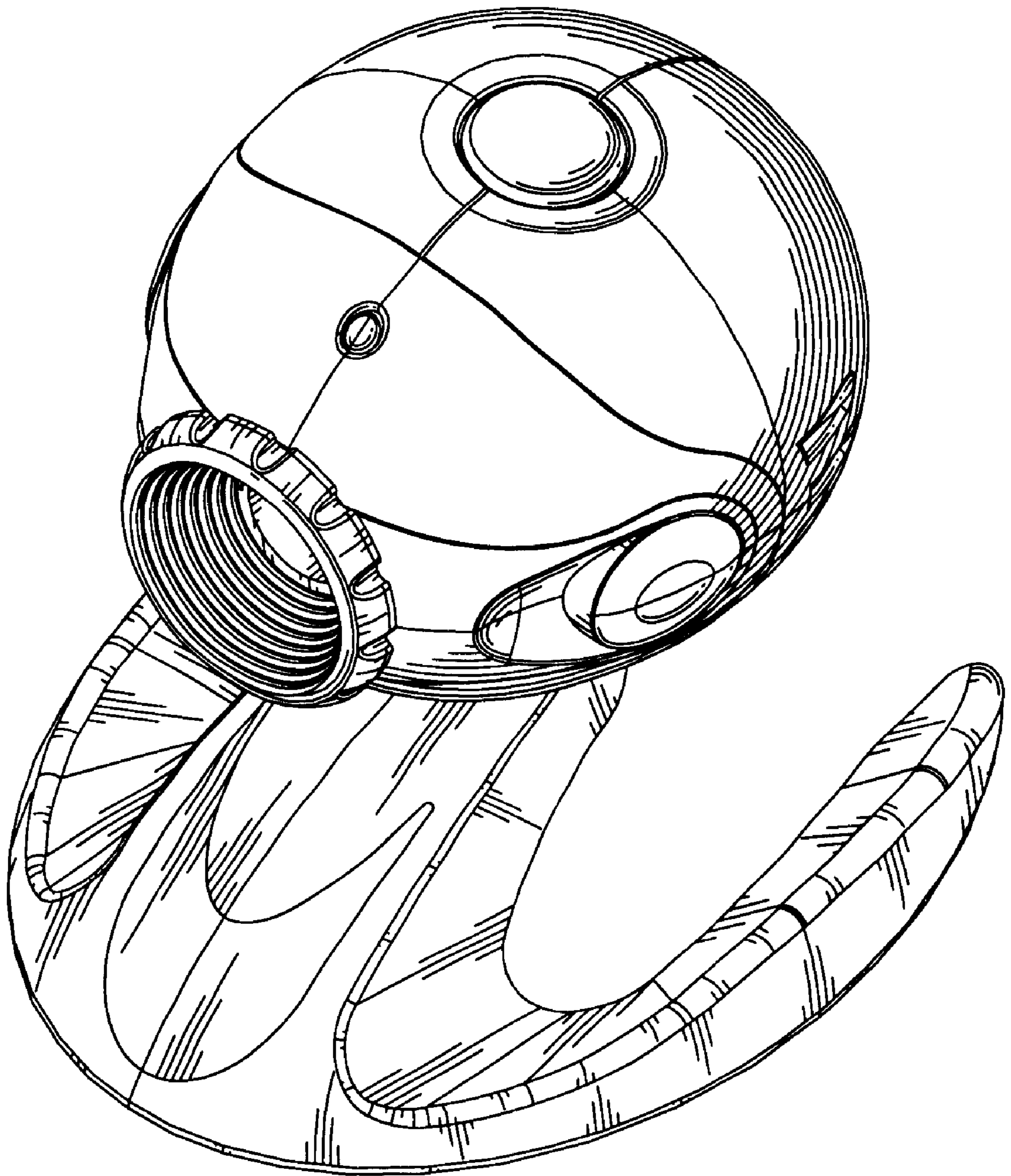
The ornamental design for a digital camera, as shown and described.

**DESCRIPTION**

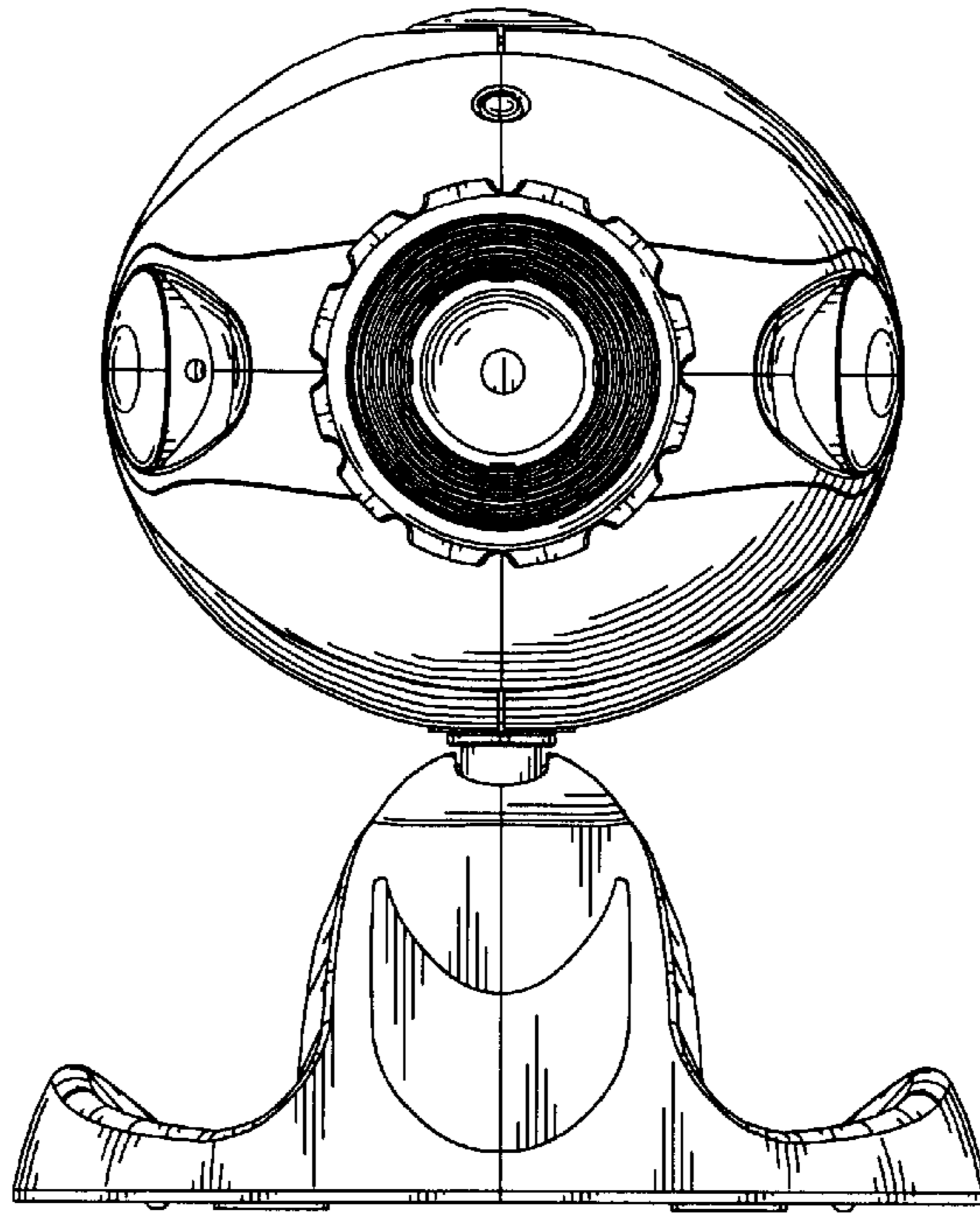
FIG. 1 is the perspective view of a digital camera showing my new design;  
FIG. 2 is the front view thereof;  
FIG. 3 is the rear view thereof;  
FIG. 4 is the left side view thereof;  
FIG. 5 is the right side view thereof;  
FIG. 6 is the top view thereof;  
FIG. 7 is the bottom view thereof; and,  
FIG. 8 is a front view thereof, the camera being separated from the base.

**1 Claim, 5 Drawing Sheets**

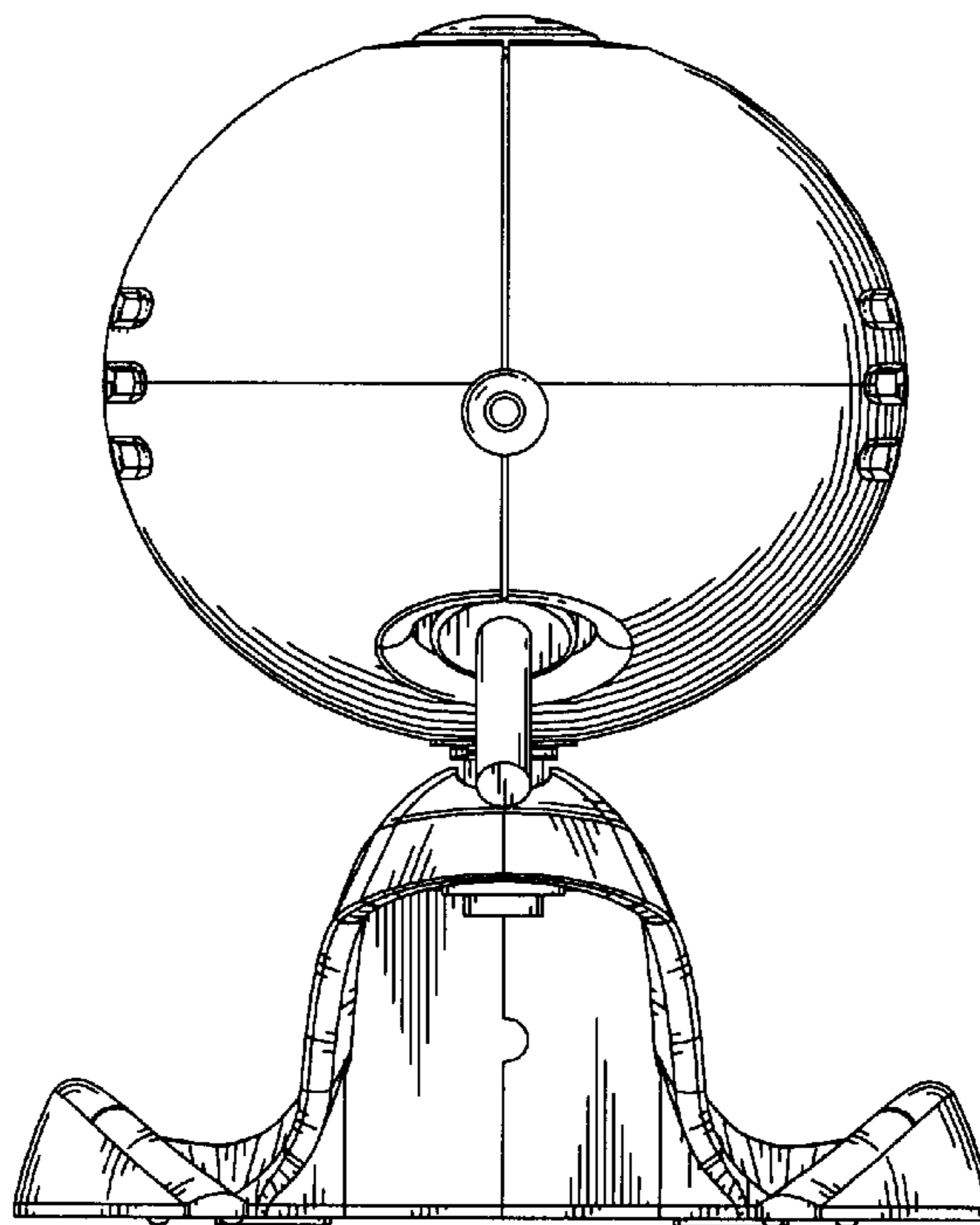




**FIG. 1**

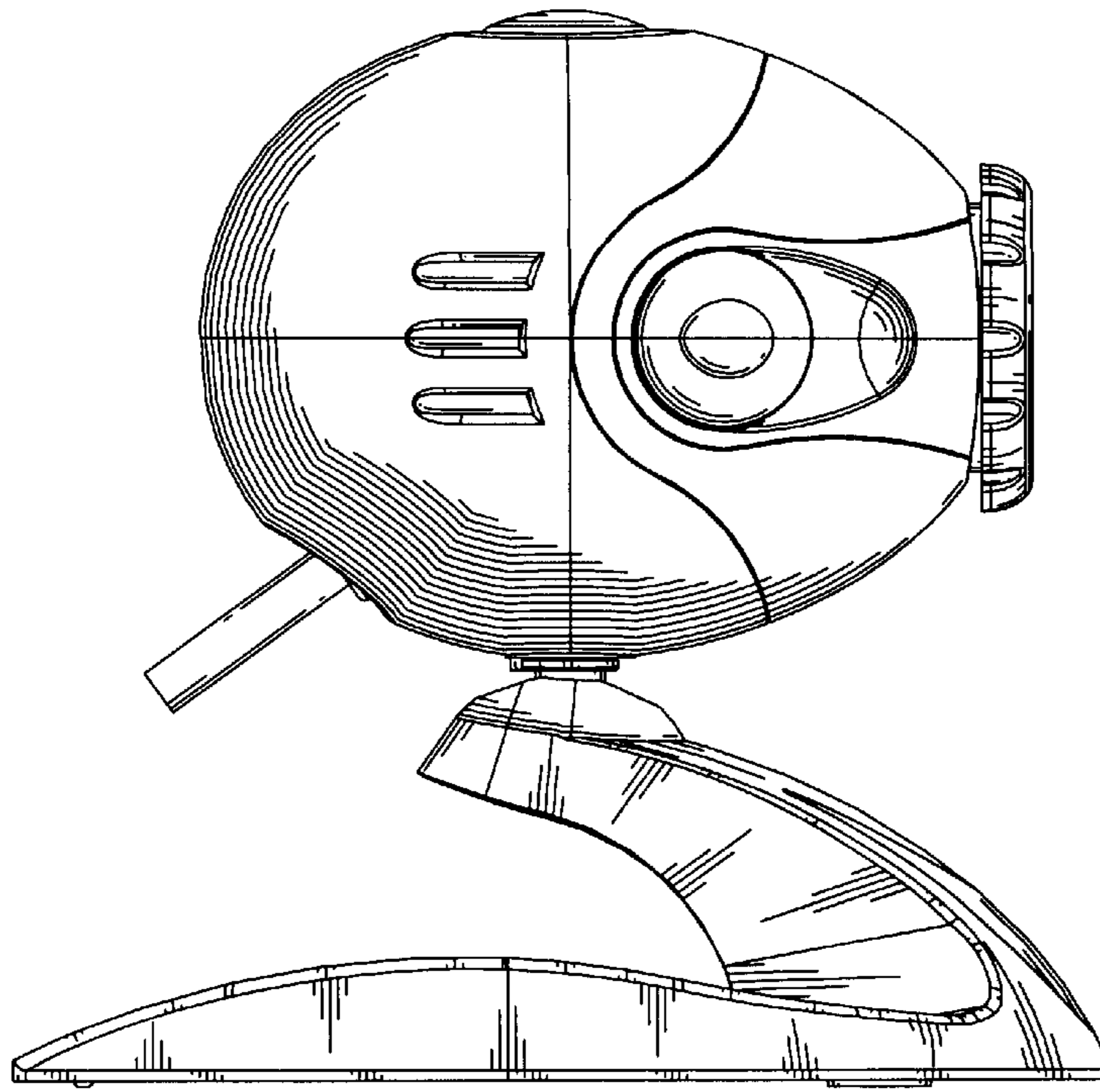


**FIG. 2**

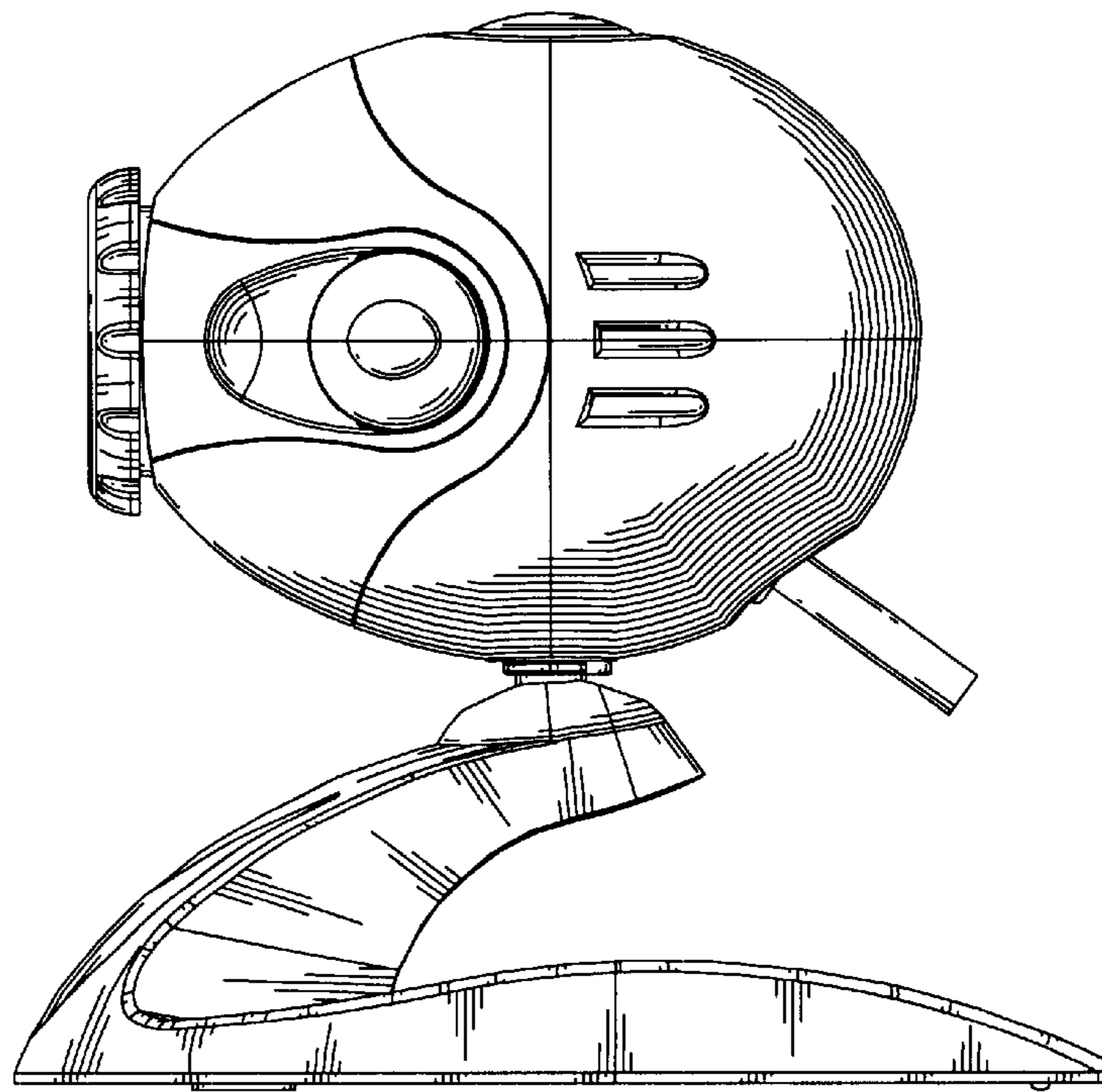


**FIG. 3**

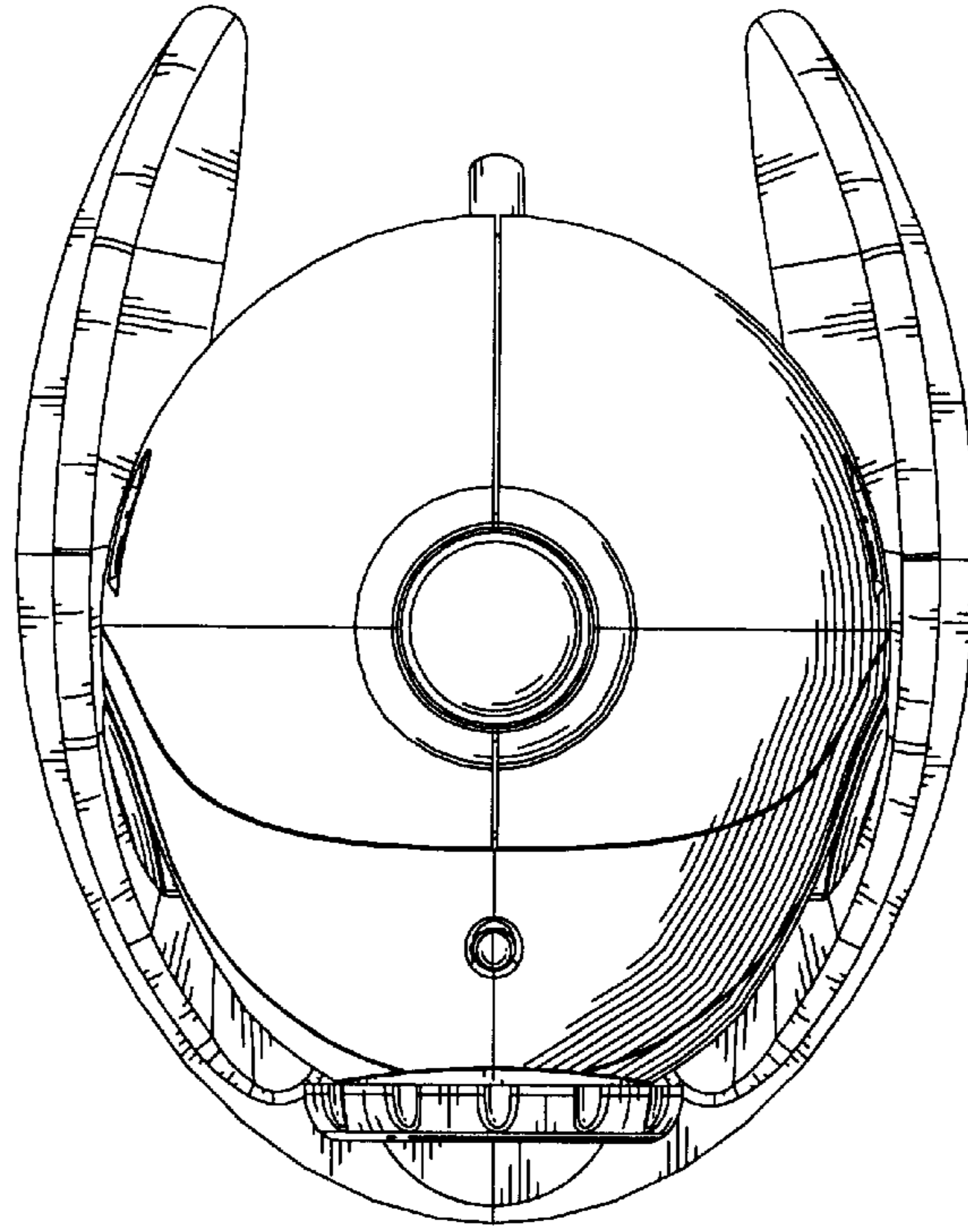




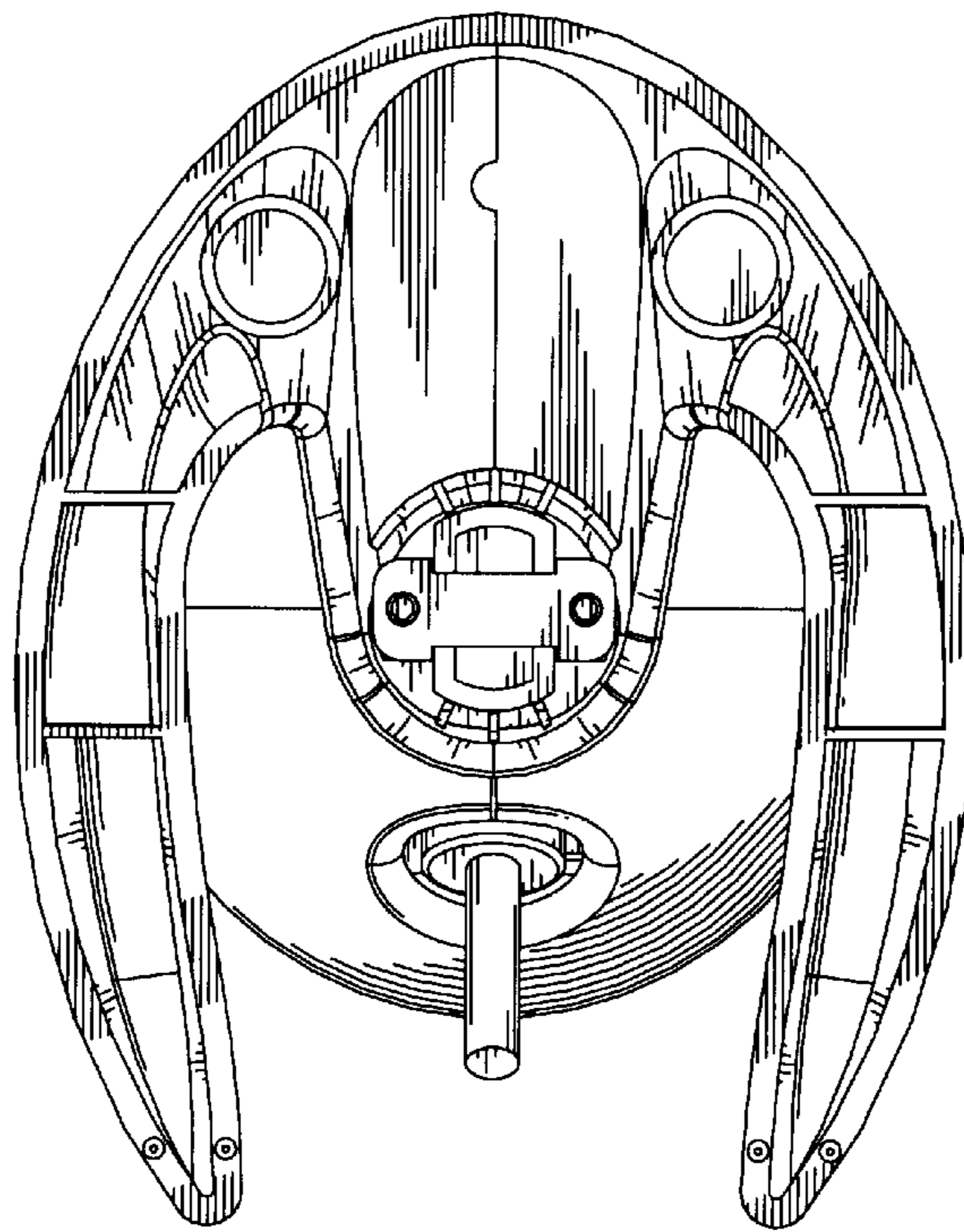
**FIG. 4**



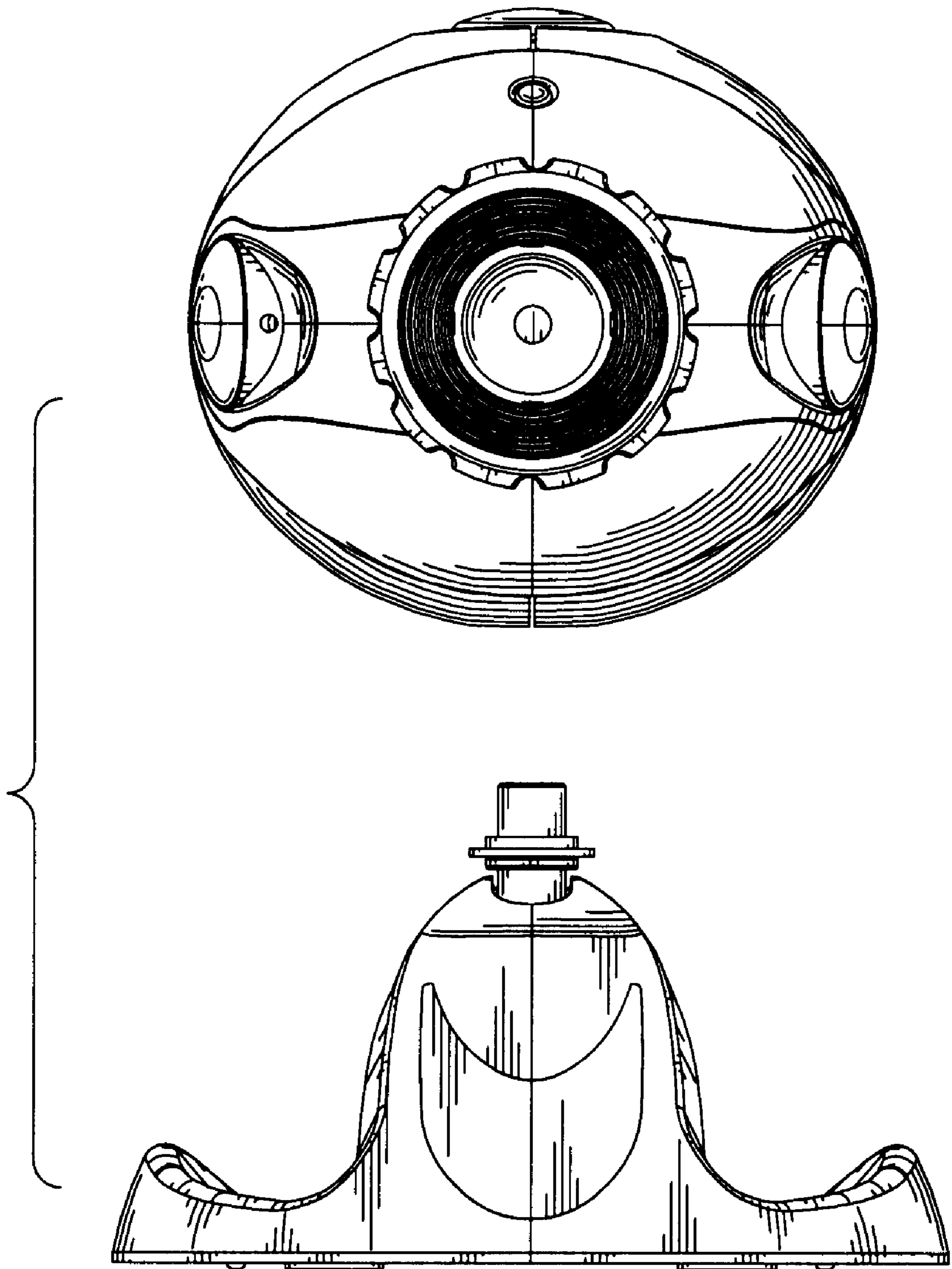
**FIG. 5**



**FIG. 6**



**FIG. 7**



**FIG. 8**