



US00D470874S

(12) **United States Design Patent**  
**Chiu**

(10) **Patent No.:** **US D470,874 S**

(45) **Date of Patent:** **\*\* Feb. 25, 2003**

(54) **DIGITAL CAMERA**

(75) Inventor: **Tai Wen Chiu**, Taipei Hsien (TW)

(73) Assignee: **Chicony Electronics Co., Ltd.**, Taipei Hsien (TW)

(\*\*) Term: **14 Years**

(21) Appl. No.: **29/160,168**

(22) Filed: **May 7, 2002**

(51) **LOC (7) Cl.** ..... **16-01**

(52) **U.S. Cl.** ..... **D16/202**

(58) **Field of Search** ..... **D16/200-205;**  
348/14.01-14.09, 14.1, 373, 374-376; 358/909.1;  
396/535-541

(56) **References Cited**

**U.S. PATENT DOCUMENTS**

- D387,789 S \* 12/1997 Sumida et al. .... D16/202
- D396,869 S \* 8/1998 Yamakawa et al. .... D16/202
- D423,491 S \* 4/2000 Harris et al. .... D14/130
- D429,743 S \* 8/2000 Renkis ..... D16/203

- D447,758 S \* 9/2001 Lin et al. .... D16/202
- D454,146 S \* 3/2002 Mori ..... D16/202
- D454,900 S \* 3/2002 Tsang et al. .... D16/202

\* cited by examiner

*Primary Examiner*—Adir Aronovich

(74) *Attorney, Agent, or Firm*—Rabin & Berdo, P.C.

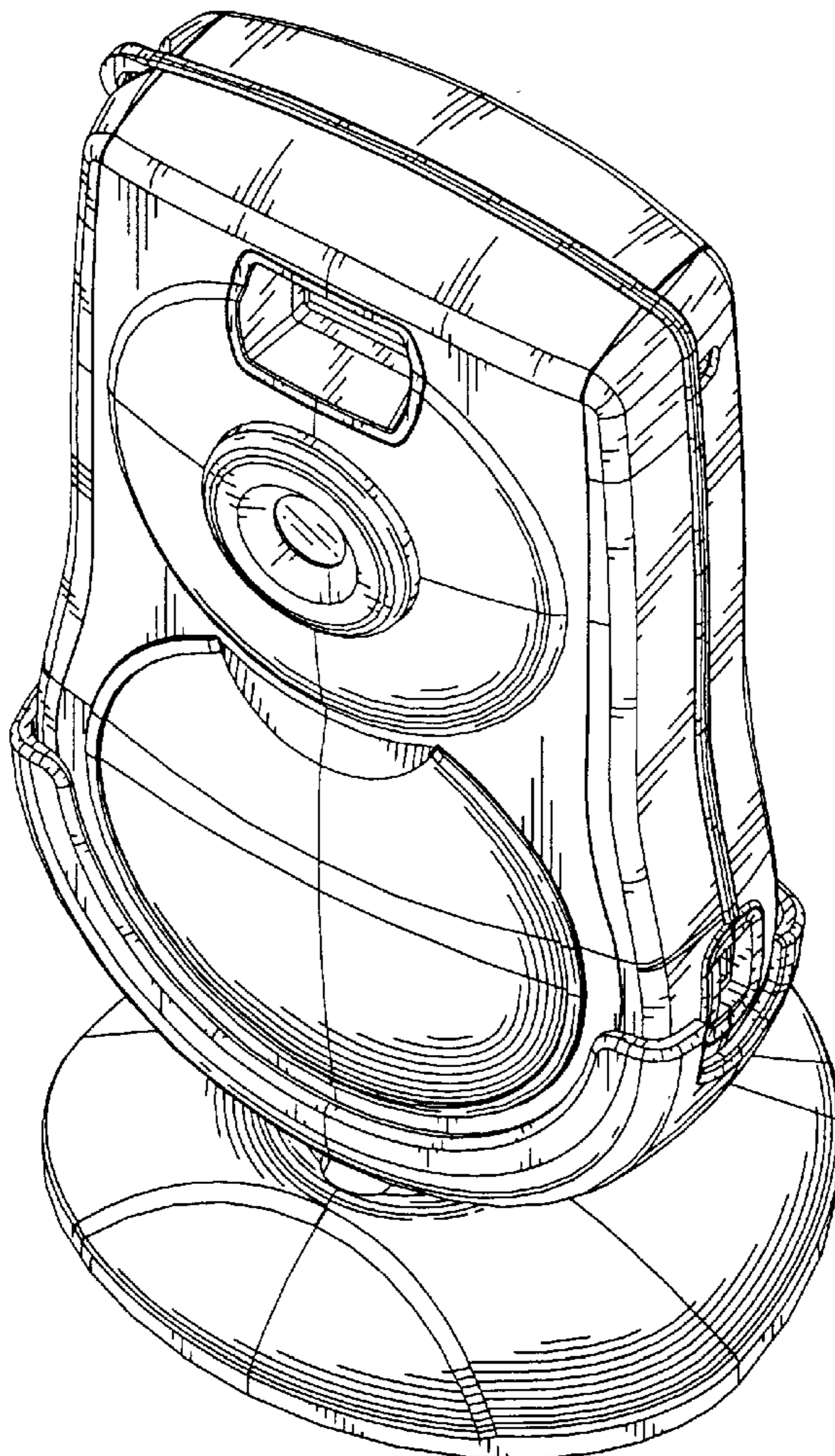
(57) **CLAIM**

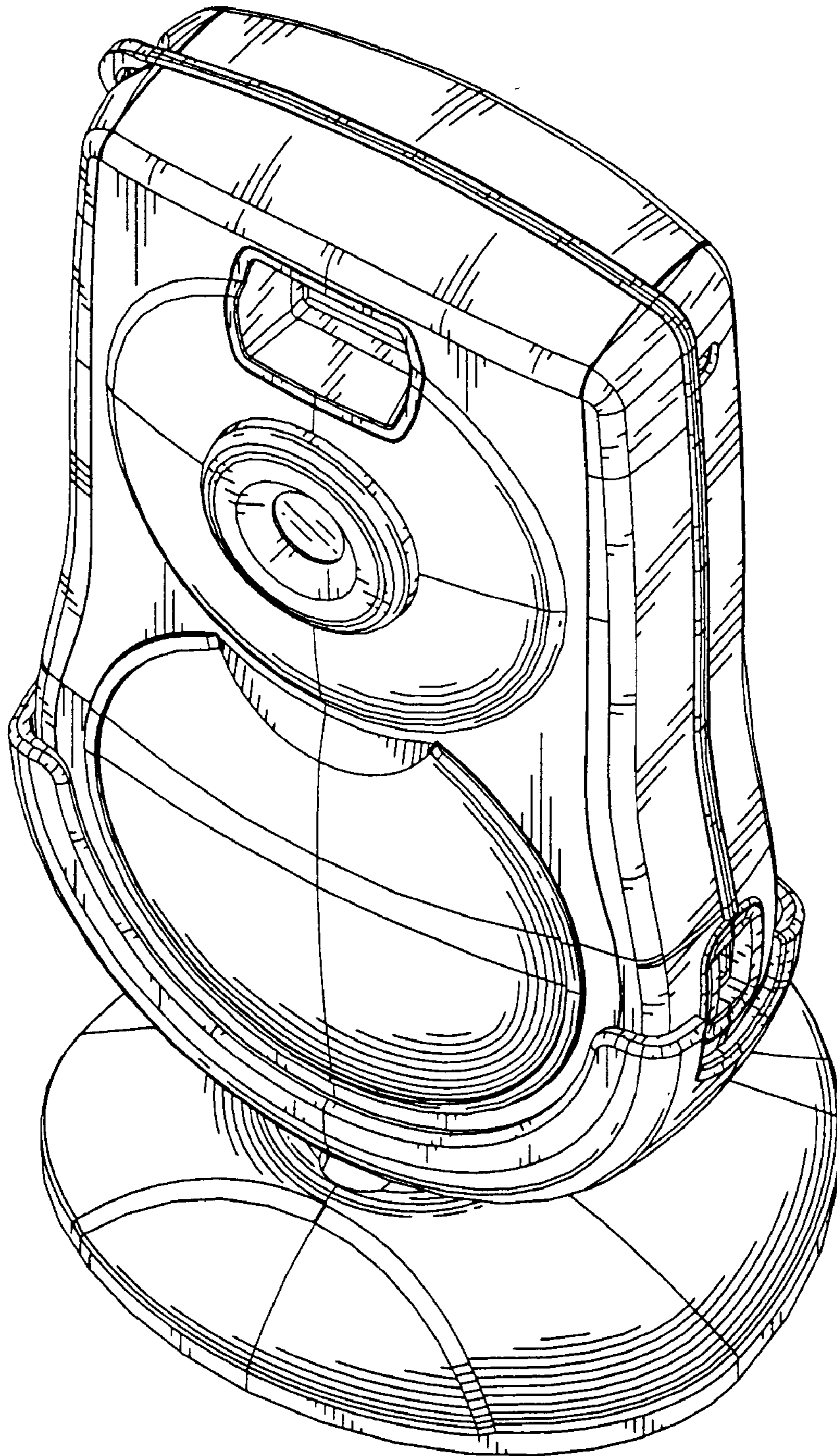
The ornamental design for a digital camera, as shown and described.

**DESCRIPTION**

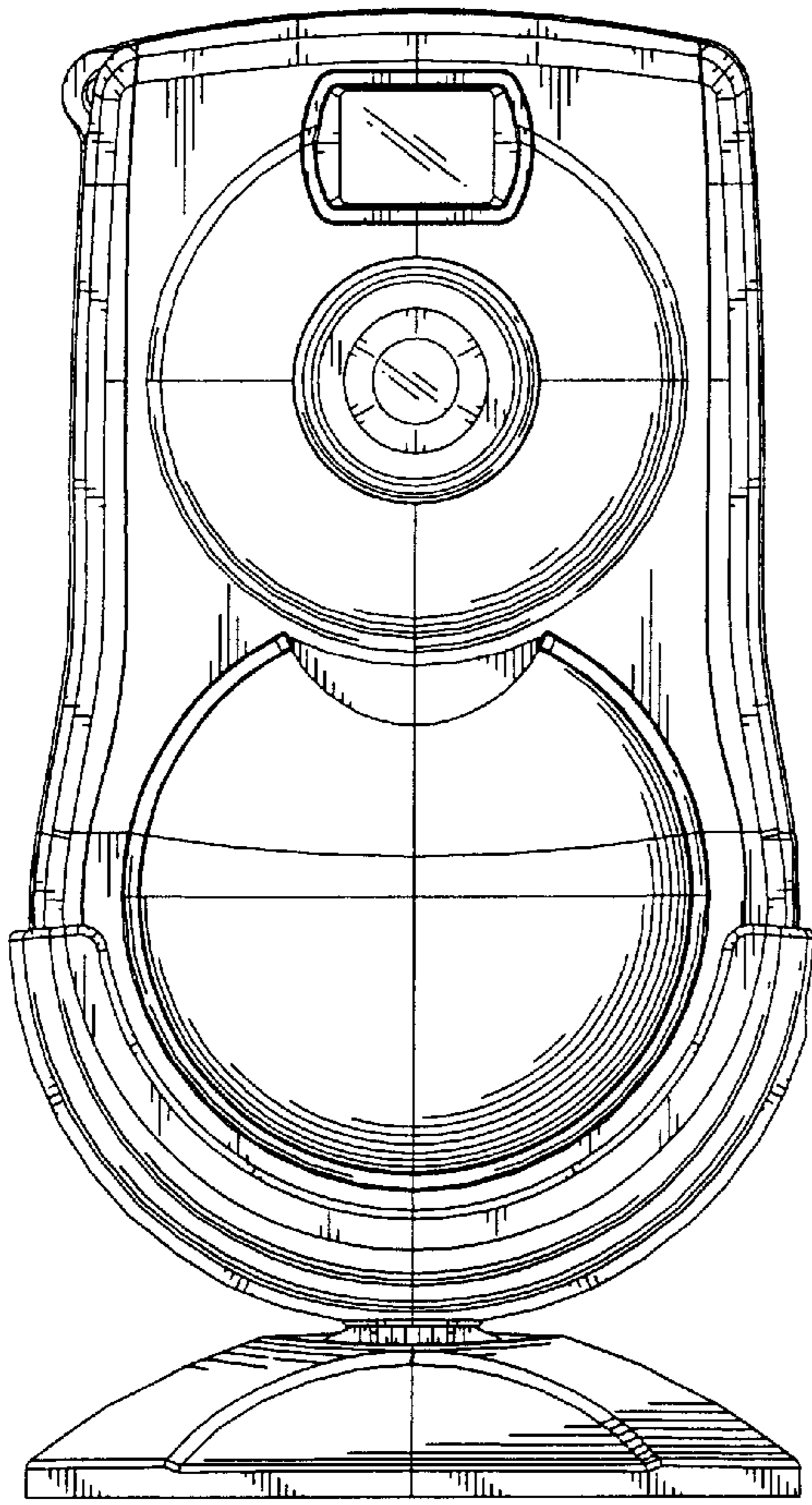
FIG. 1 is the perspective view of a digital camera showing my new design;  
 FIG. 2 is the front view thereof;  
 FIG. 3 is the rear view thereof;  
 FIG. 4 is the left side view thereof;  
 FIG. 5 is the right side view thereof;  
 FIG. 6 is the top view thereof;  
 FIG. 7 is the bottom view thereof; and,  
 FIG. 8 is a front view thereof, the camera being separated from the base.

**1 Claim, 5 Drawing Sheets**

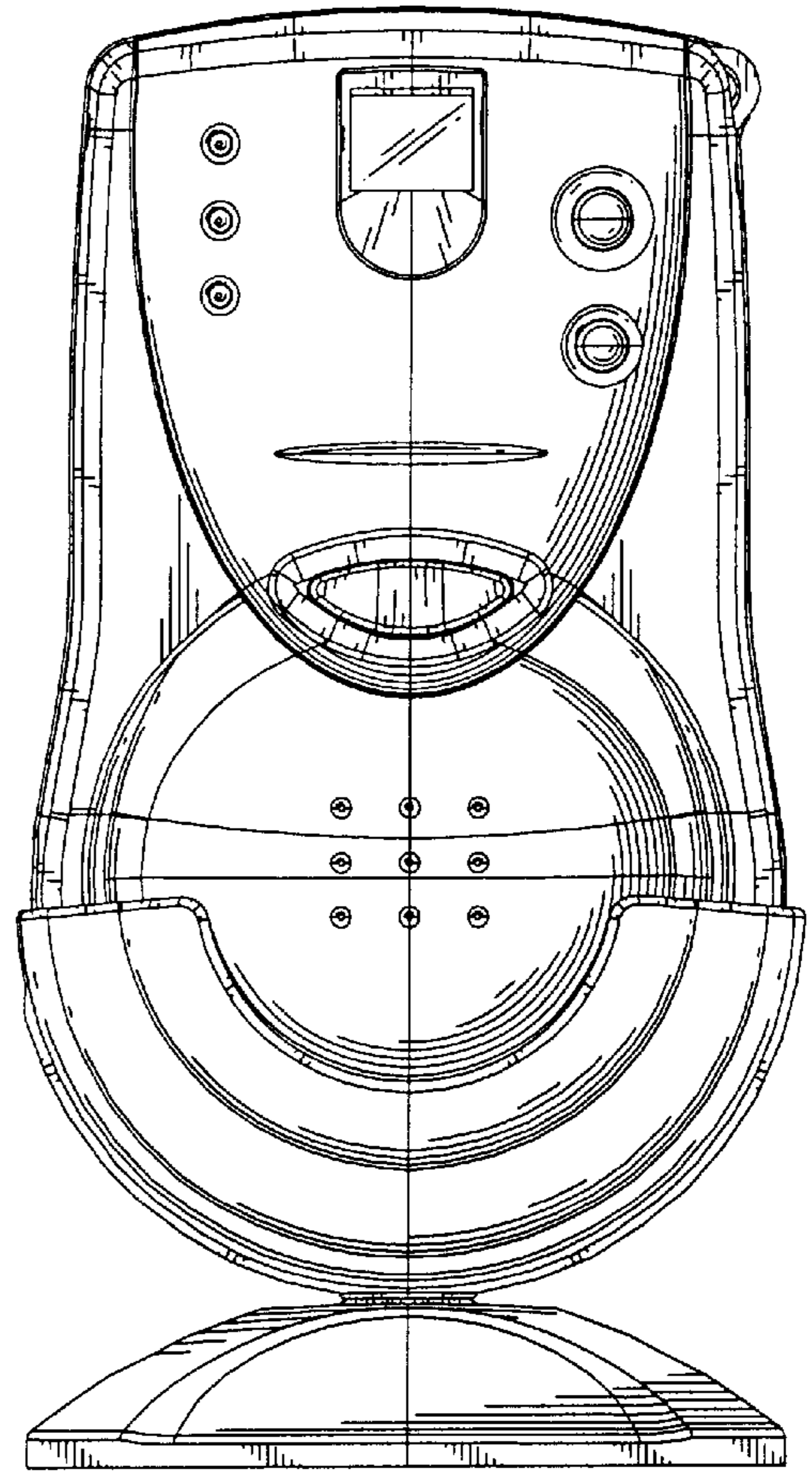




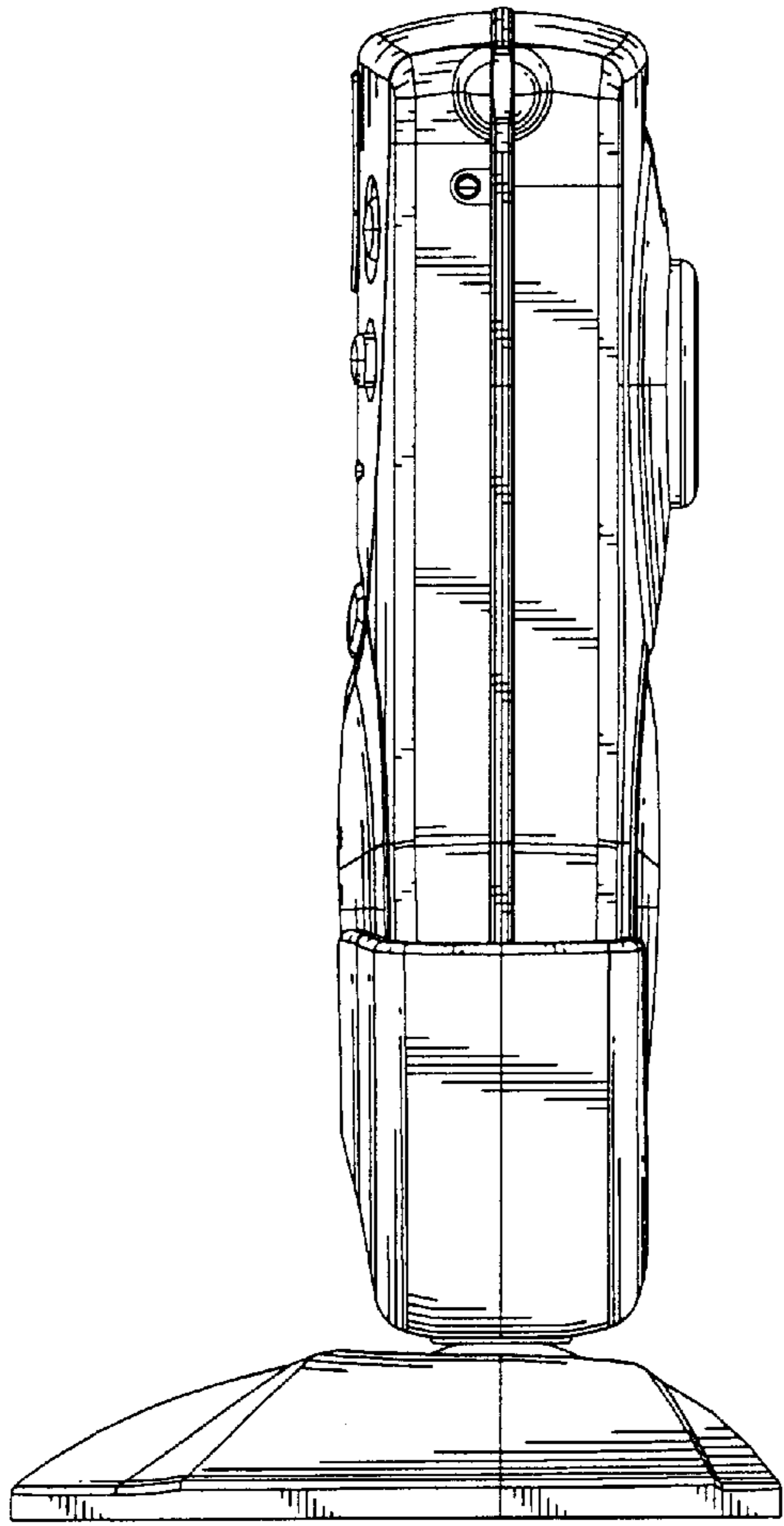
**FIG. 1**



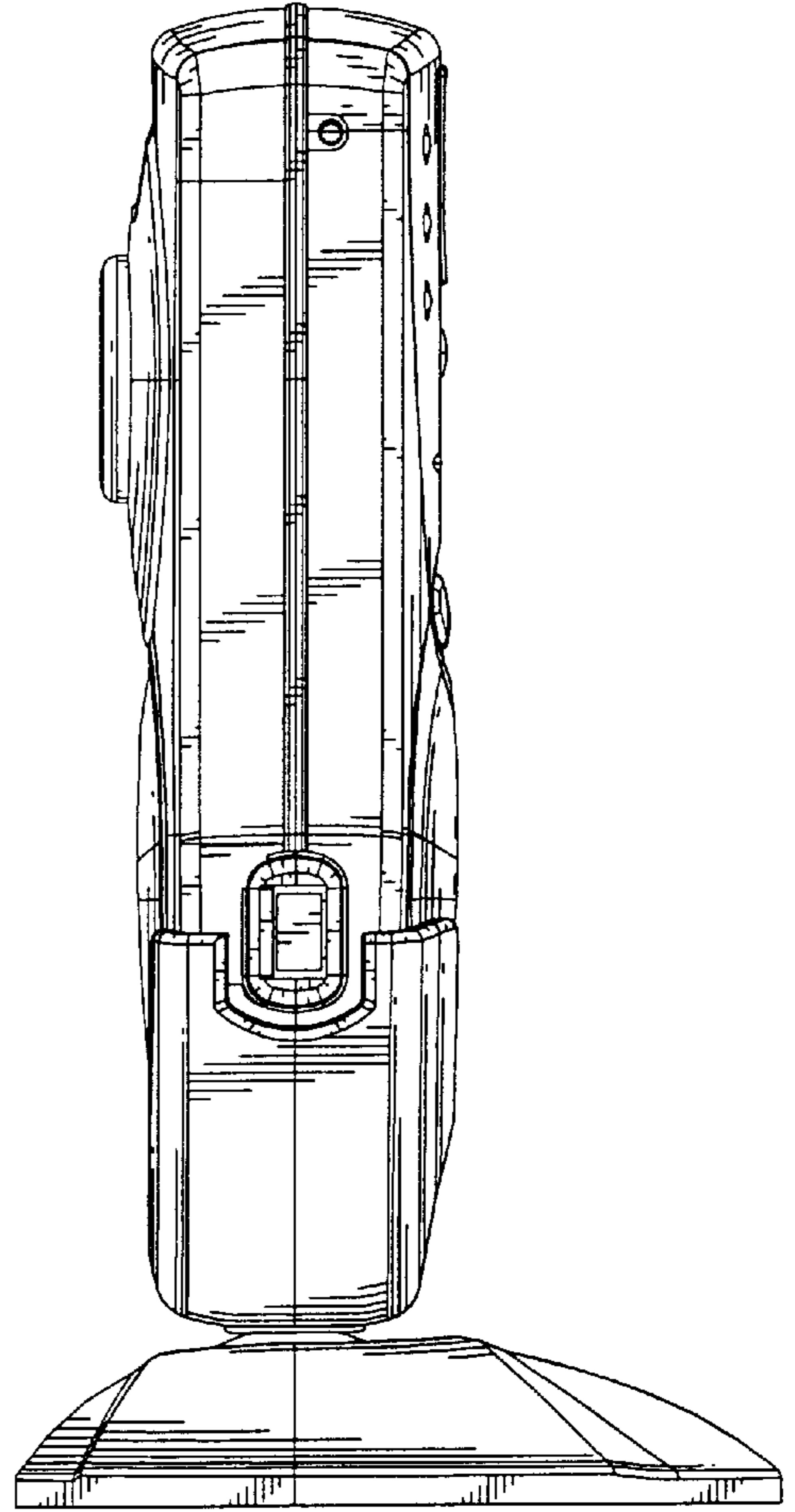
**FIG. 2**



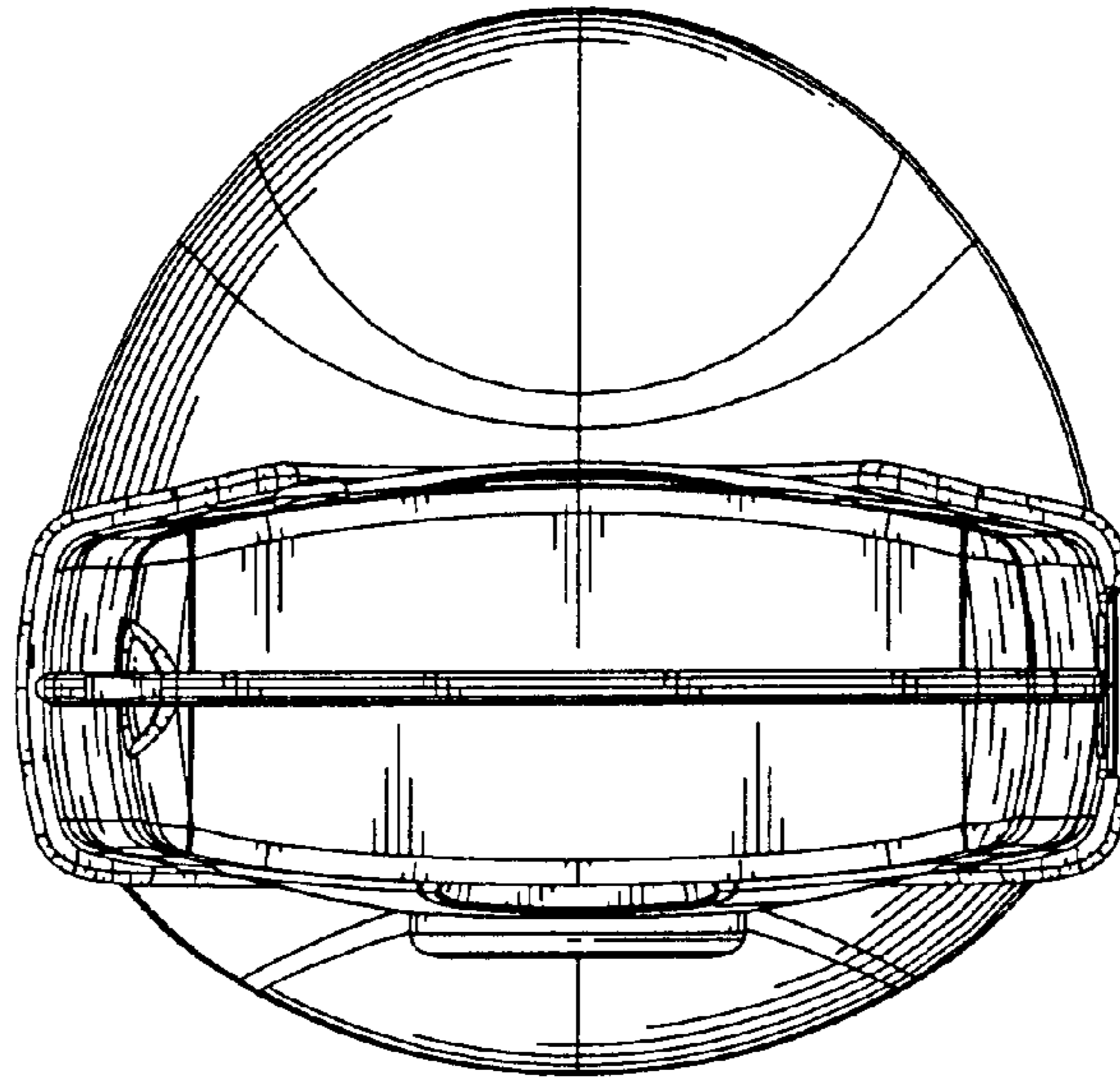
**FIG. 3**



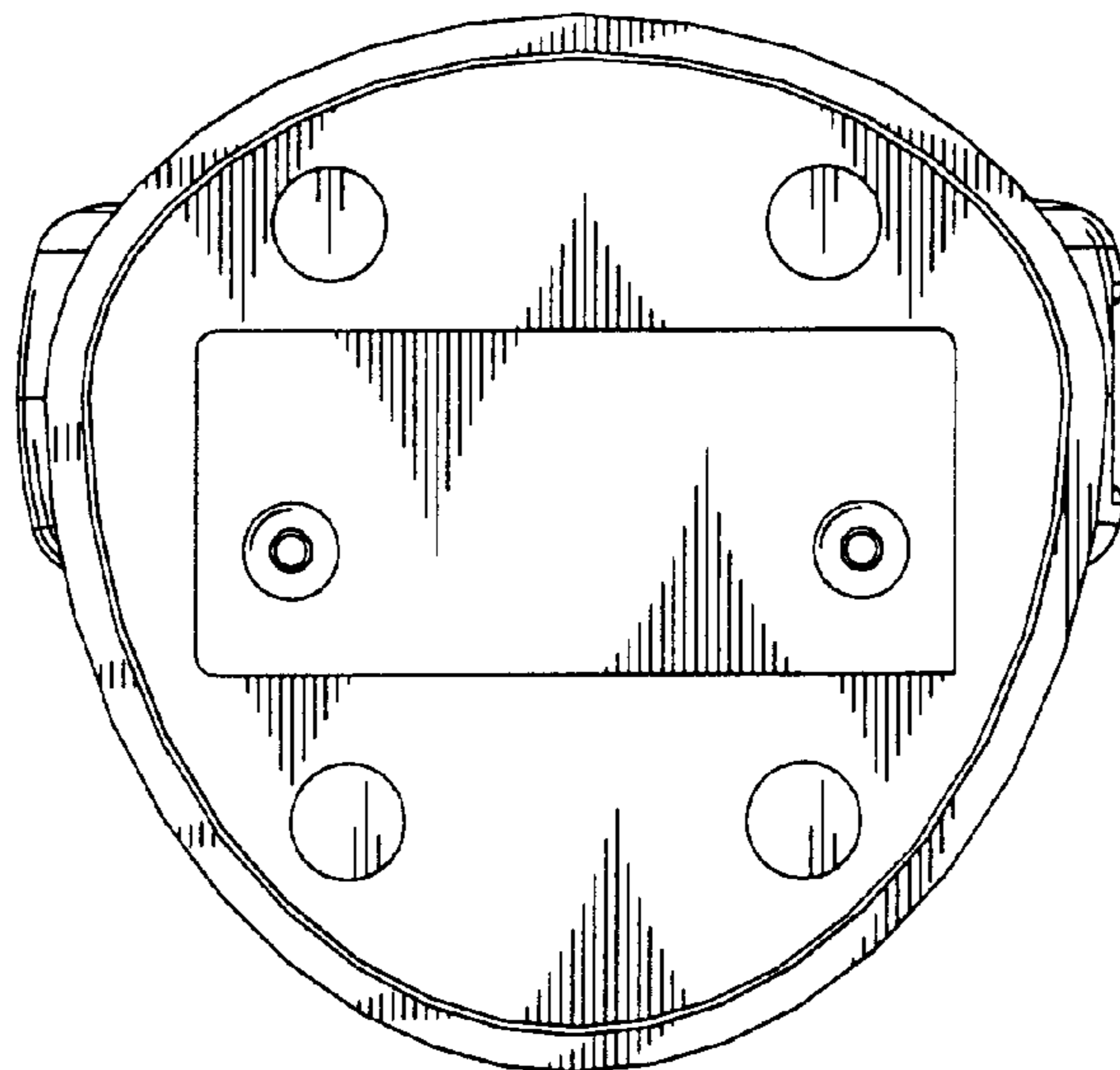
**FIG. 4**



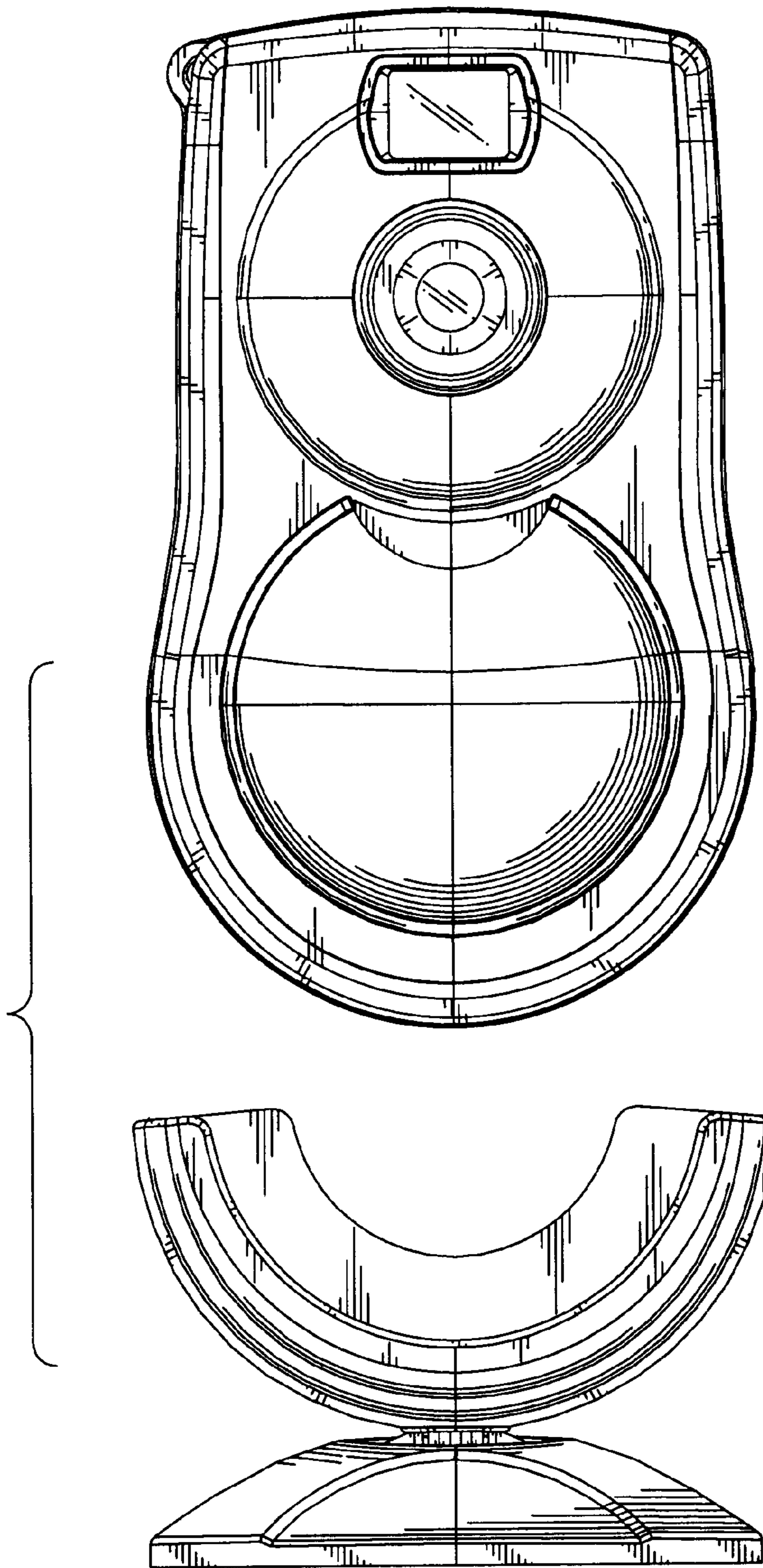
**FIG. 5**



**FIG. 6**



**FIG. 7**



**FIG. 8**