



US00D470872S

(12) **United States Design Patent**  
**Childs**

(10) **Patent No.:** **US D470,872 S**

(45) **Date of Patent:** **\*\* Feb. 25, 2003**

(54) **IN-PRESS TRANSFER DEVICE**  
(75) Inventor: **Montgomery W. Childs, Barrie (CA)**  
(73) Assignee: **Linear Transfer Systems Ltd. (CA)**  
(\*\*) Term: **14 Years**

4,648,786 A \* 3/1987 Sakurai ..... 414/752  
D290,263 S \* 6/1987 Shibayama et al. .... D15/199  
D292,002 S \* 9/1987 Shibayama et al. .... D15/199  
4,981,031 A \* 1/1991 Schneider et al. .... 72/405.05  
D366,054 S \* 1/1996 Eguchi ..... D15/199  
D454,897 S \* 3/2002 Kawaguchi ..... D15/199

\* cited by examiner

(21) Appl. No.: **29/138,953**  
(22) Filed: **Mar. 23, 2001**

*Primary Examiner*—Martie K. Holtje  
(74) *Attorney, Agent, or Firm*—Merek & Voorhees

(51) **LOC (7) Cl.** ..... **15-99**  
(52) **U.S. Cl.** ..... **D15/199; D15/135**  
(58) **Field of Search** ..... D18/50, 51, 52,  
D18/53, 56-59, 99; D15/122, 123, 128,  
135, 199; 901/30, 40; 83/412; 483/14, 29,  
58; 72/405.01, 405.05, 405.09, 405.11,  
405.13, 419-421, 426-428; 414/222, 225.01,  
752, 786, 750; 100/43, 44, 207; 226/158,  
163, 165; 198/468.01, 468.4, 468.6, 621.1,  
740, 741

(57) **CLAIM**

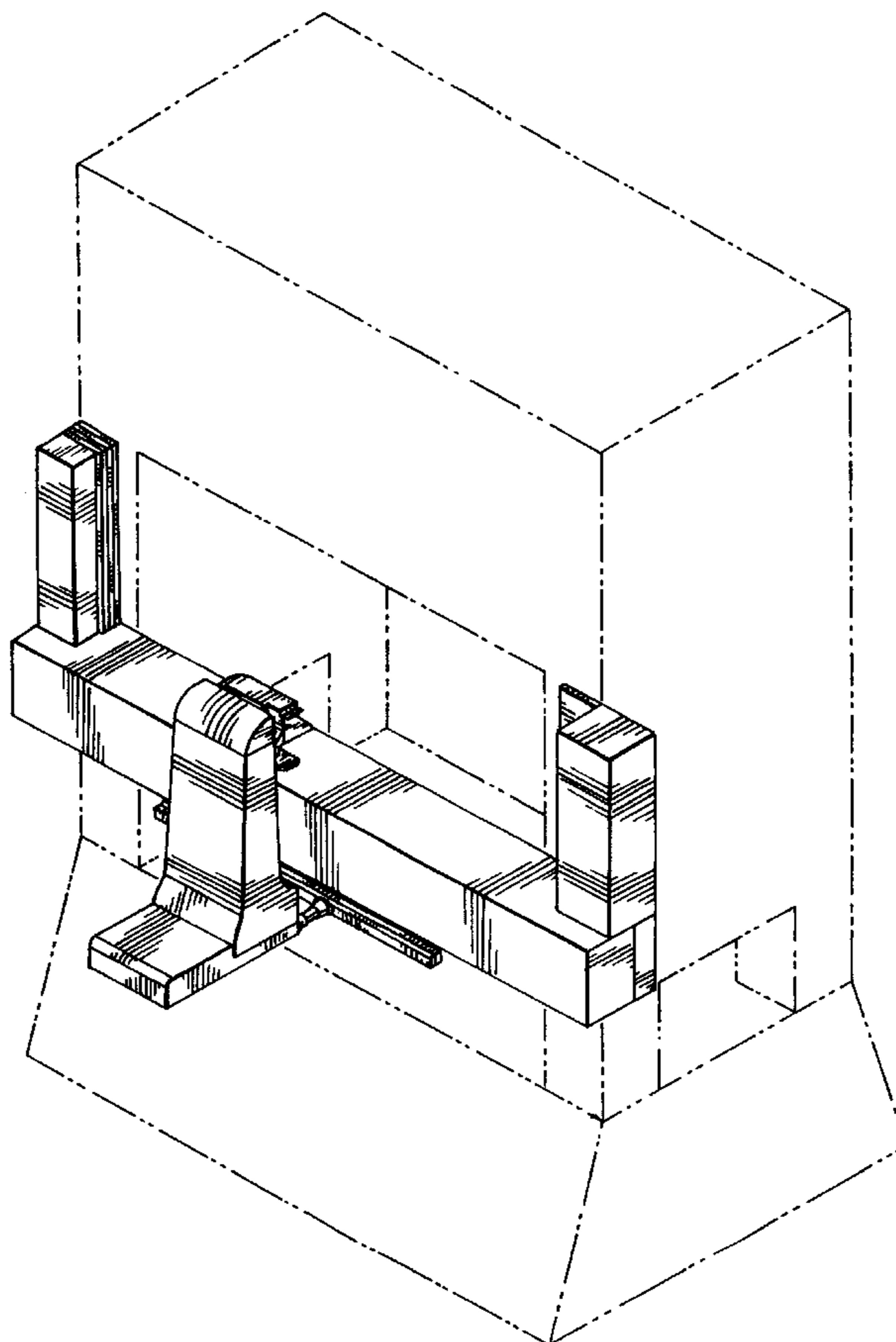
The ornamental design for an in-press transfer device, as shown and described.

**DESCRIPTION**

FIG. 1 is an upper side perspective view of the in-press transfer device;  
FIG. 2 is a front view thereof;  
FIG. 3 is a top plan view thereof;  
FIG. 4 is a bottom view thereof;  
FIG. 5 is a left side view thereof; and,  
FIG. 6 is right side view thereof.  
The broken lines shown in FIG. 1 represent a press to which the in-press transfer device has been attached and are for illustrated purposes only and do not form part of the claimed design.

(56) **References Cited**  
**U.S. PATENT DOCUMENTS**  
3,655,070 A \* 4/1972 Haydu ..... 198/621.1  
3,756,425 A \* 9/1973 Wallis ..... 414/750  
3,771,669 A \* 11/1973 Maggioni ..... 198/621.1  
4,407,630 A \* 10/1983 Toda ..... 414/786

**1 Claim, 5 Drawing Sheets**



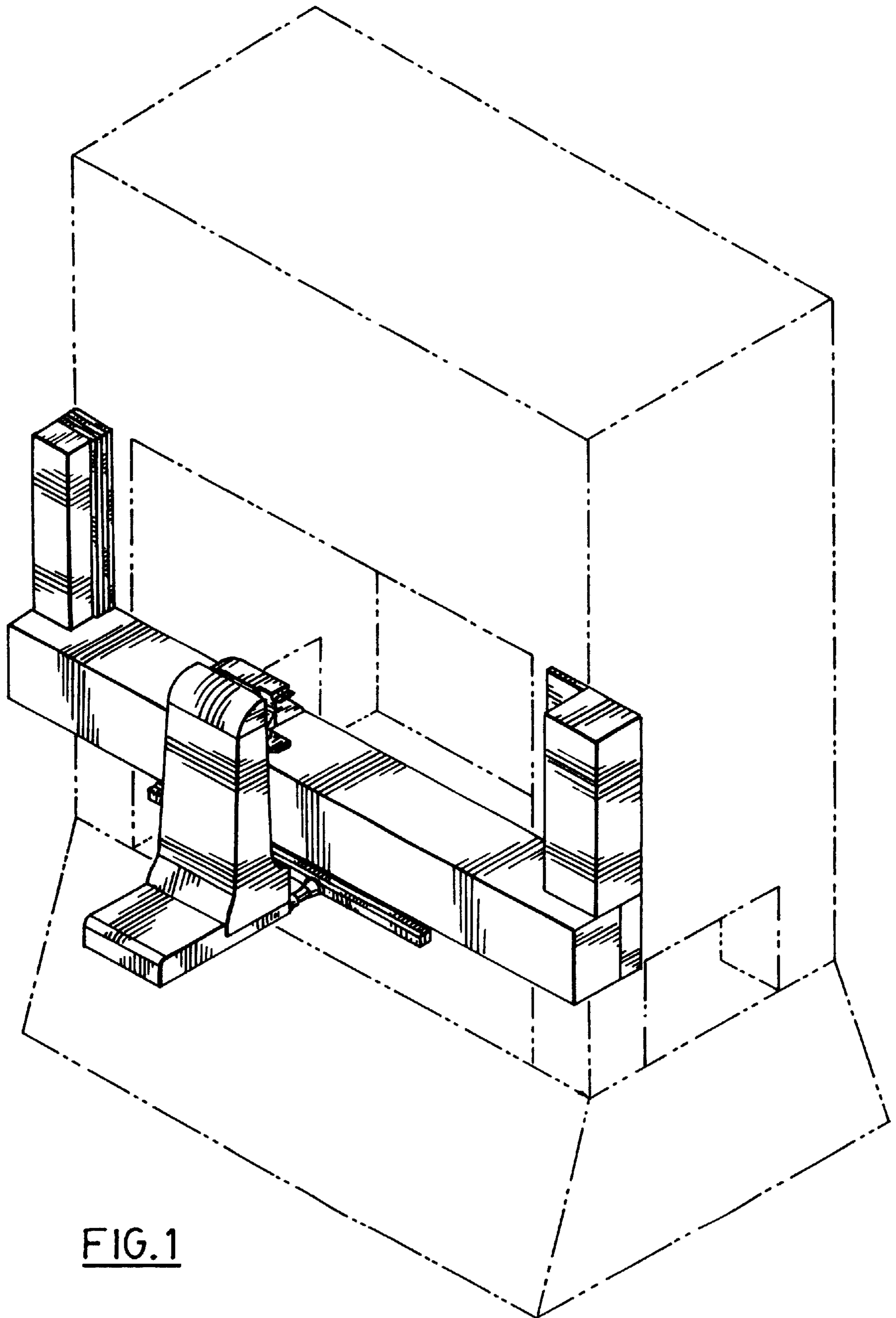


FIG. 1

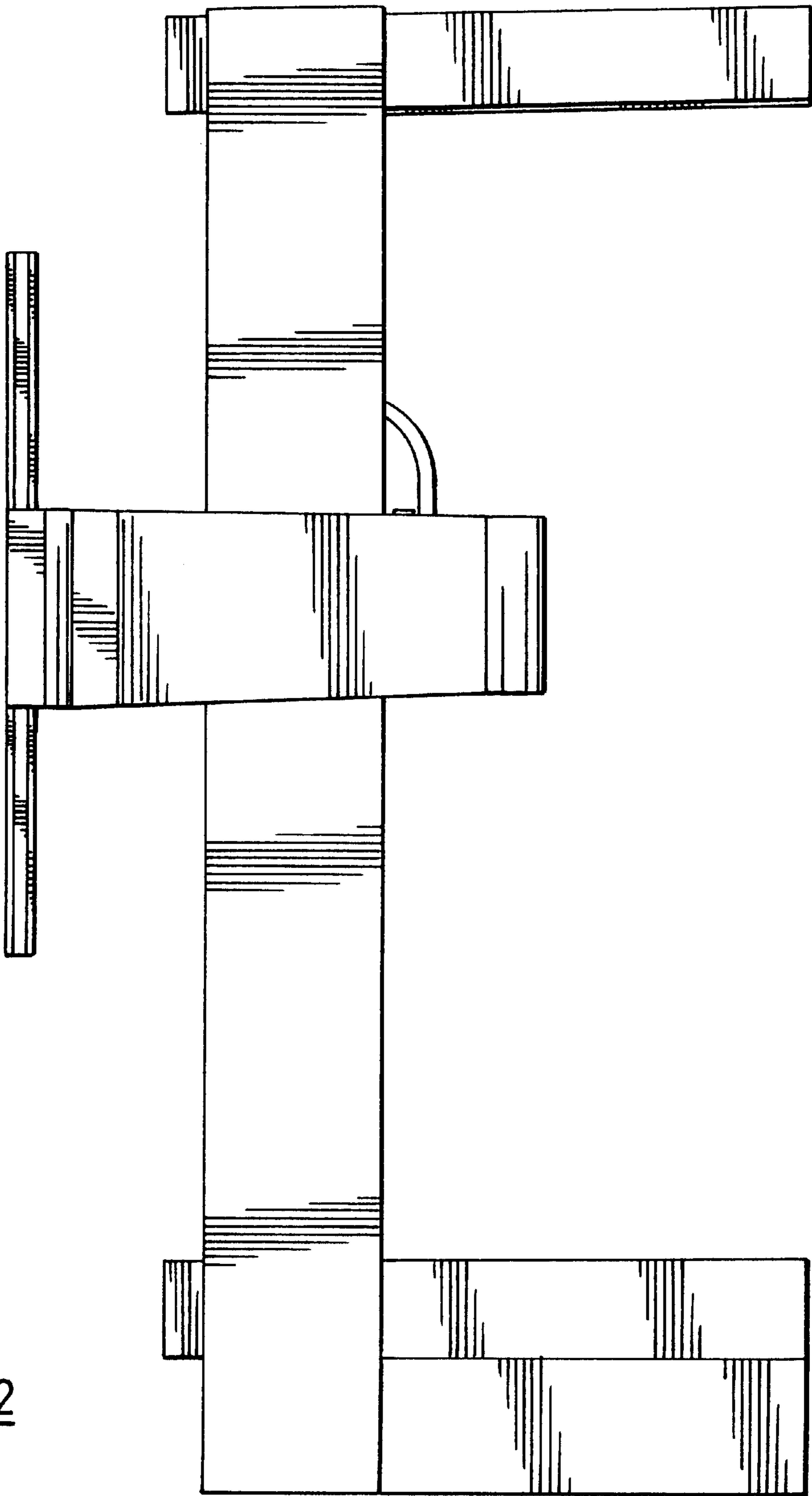


FIG. 2

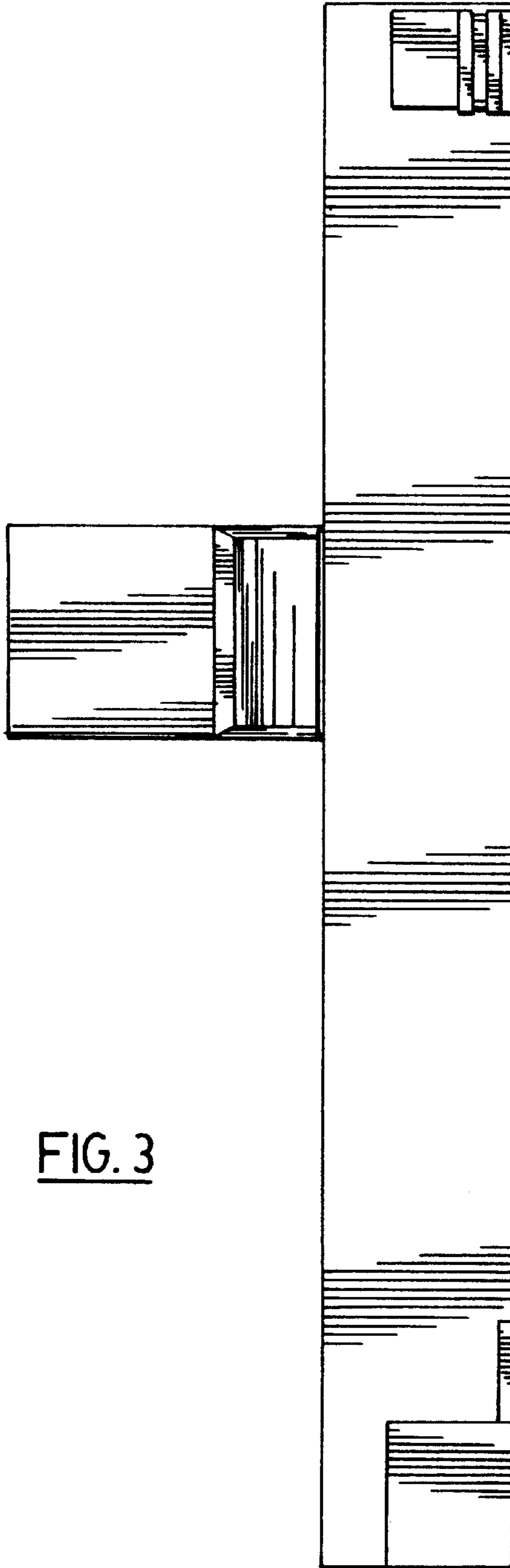


FIG. 3

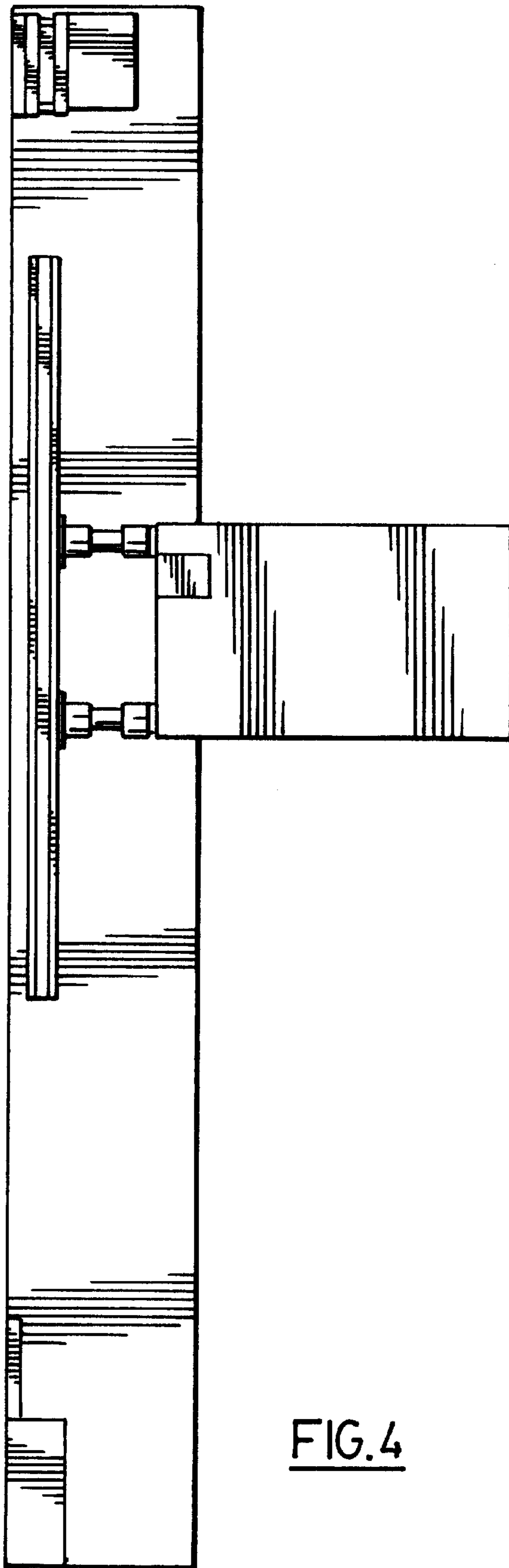


FIG. 4

FIG. 6

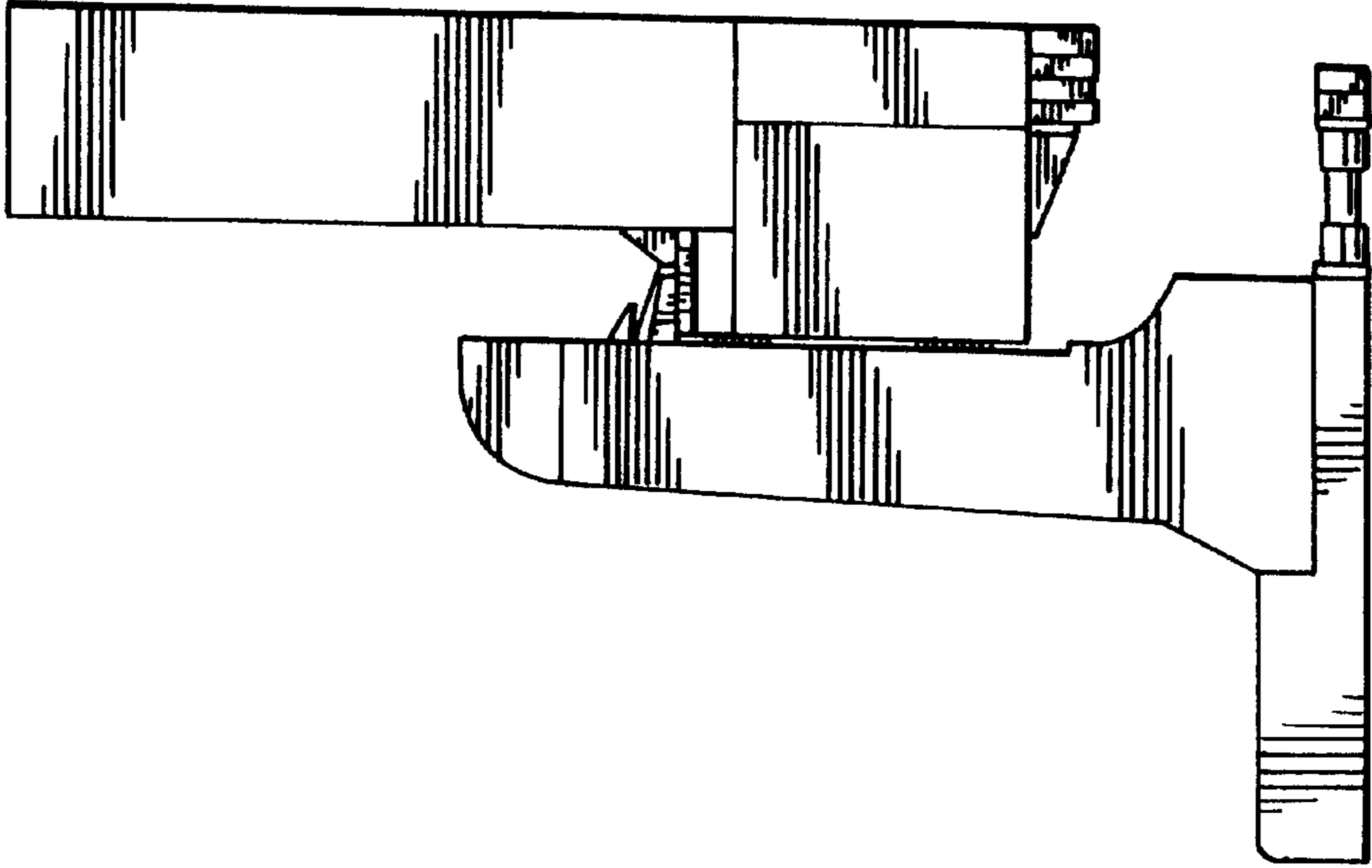


FIG. 5

