



US00D470871S

(12) **United States Design Patent**
Burger et al.

(10) **Patent No.: US D470,871 S**

(45) **Date of Patent: ** Feb. 25, 2003**

(54) **MOBILE OIL DISPENSER**

(75) Inventors: **Adriano Burger**, Mount Arlington, NJ (US); **Paul Hatch**, Chicago, IL (US)

(73) Assignee: **Castrol Limited**, Swindon (GB)

(**) Term: **14 Years**

(21) Appl. No.: **29/154,593**

(22) Filed: **Oct. 25, 2001**

(51) **LOC (7) Cl. 15-09**

(52) **U.S. Cl. D15/150; D34/18**

(58) **Field of Search D15/150-152; D34/12, 16, 18; 141/86, 88, 98, 231, 375, 391; 222/608-628; 184/106; 206/311; 280/47.23, 47.26, 47.35, 659**

(56) **References Cited**

U.S. PATENT DOCUMENTS

3,797,743 A	3/1974	Kommers et al.	239/148
5,139,278 A	8/1992	Vlasticak	280/47.26
5,154,317 A	10/1992	Roppolo, III	222/66
D365,583 S	12/1995	Viken	D15/151
5,494,191 A	2/1996	Benson	222/23
5,667,113 A	9/1997	Clarke et al.	222/608
D394,499 S	5/1998	Bettag et al.	D23/332
D395,439 S	* 6/1998	King et al.	D15/150
5,810,213 A	9/1998	Flores et al.	222/610

OTHER PUBLICATIONS

Page from Castrol Brochure "Castrol" The Liquid Engineer, 1 page, UK (1985).

* cited by examiner

Primary Examiner—Antoine Duval Davis

(74) *Attorney, Agent, or Firm*—McAndrews, Held & Malloy, Ltd.

(57) **CLAIM**

The ornamental design for a mobile oil dispenser, as shown and described.

DESCRIPTION

FIG. 1 is a perspective view of a mobile oil dispenser according to the present design;

FIG. 2 is a top plan view of the mobile oil dispenser of FIG. 1;

FIG. 3 is a front elevation view of the mobile oil dispenser of FIG. 1;

FIG. 4 is a left side elevation view of the mobile oil dispenser in FIG. 1;

FIG. 5 is a right side elevation view of the mobile oil dispenser in FIG. 1;

FIG. 6 is a rear elevation view of the mobile oil dispenser of FIG. 1; and,

FIG. 7 is a bottom plan view of the mobile oil dispenser of FIG. 1.

1 Claim, 7 Drawing Sheets

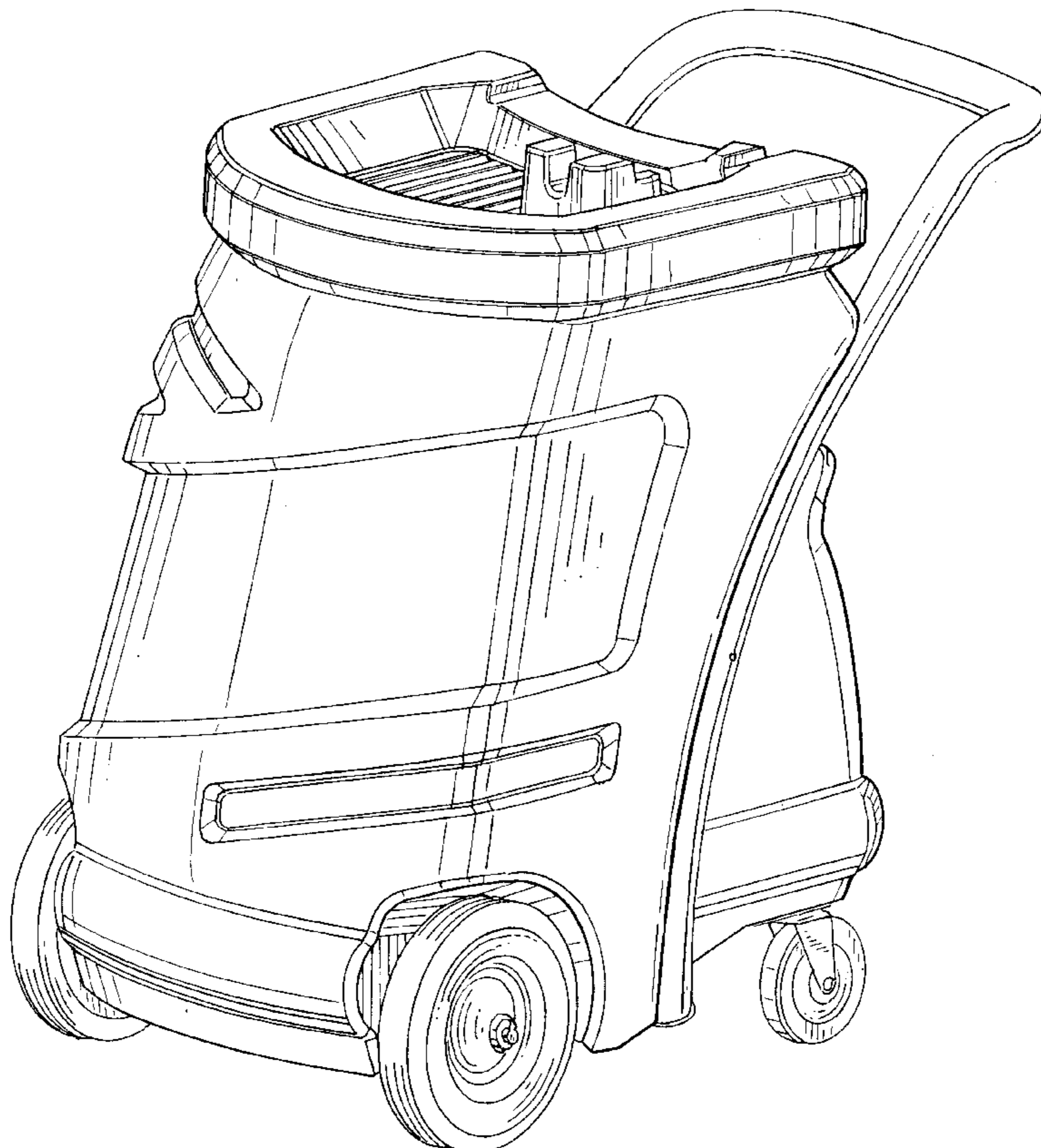


FIG. 1

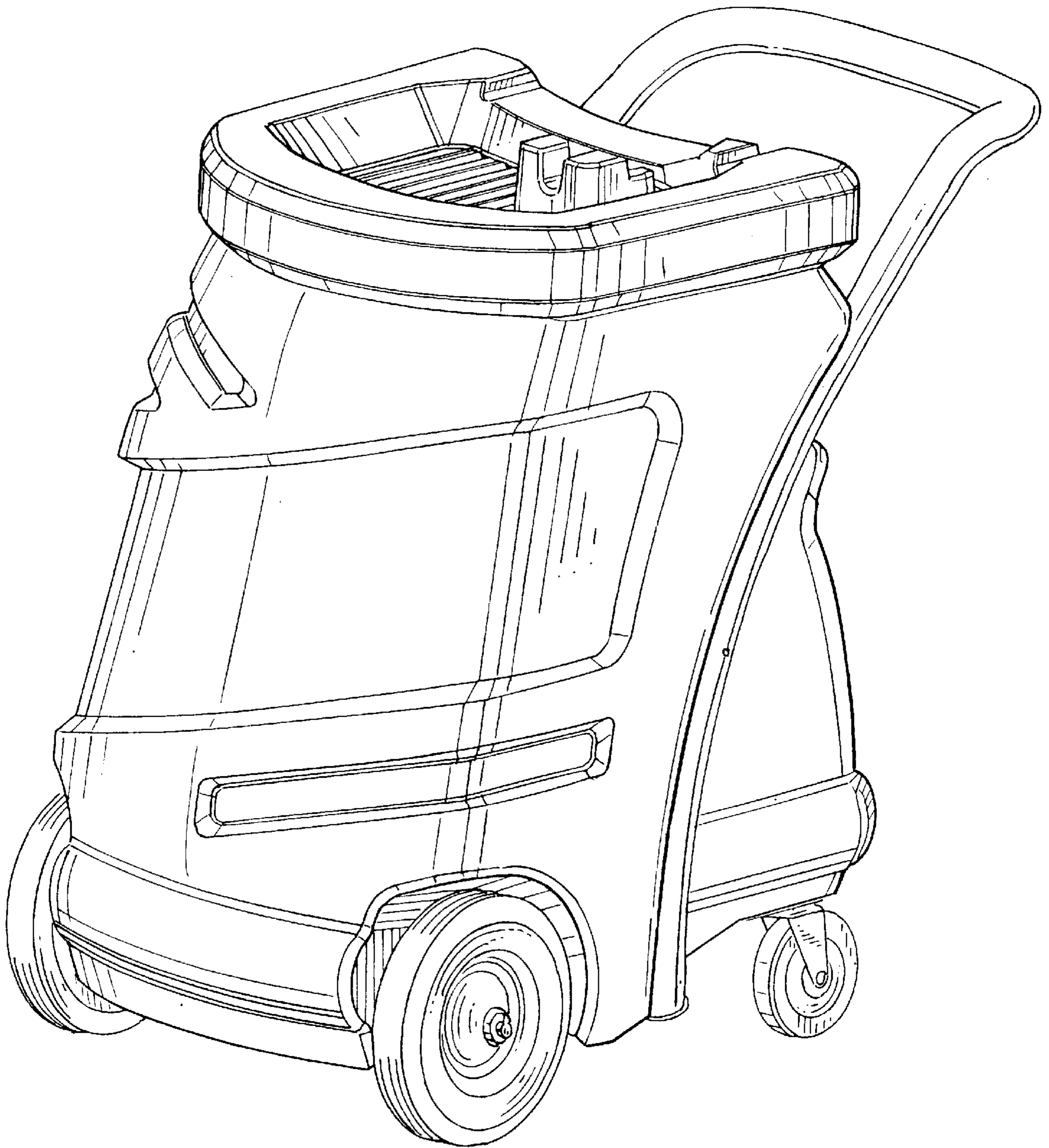


FIG. 2

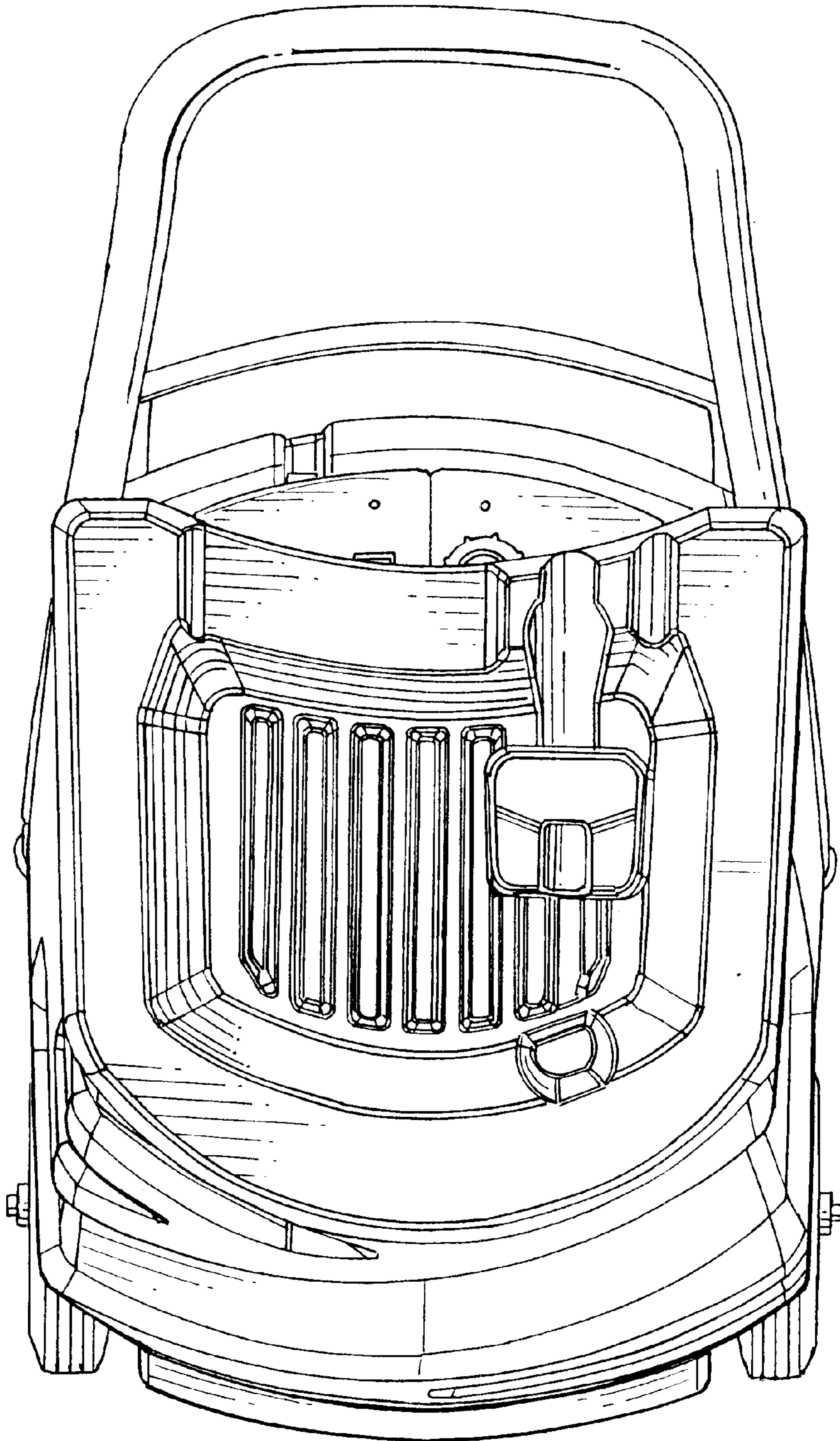


FIG. 3

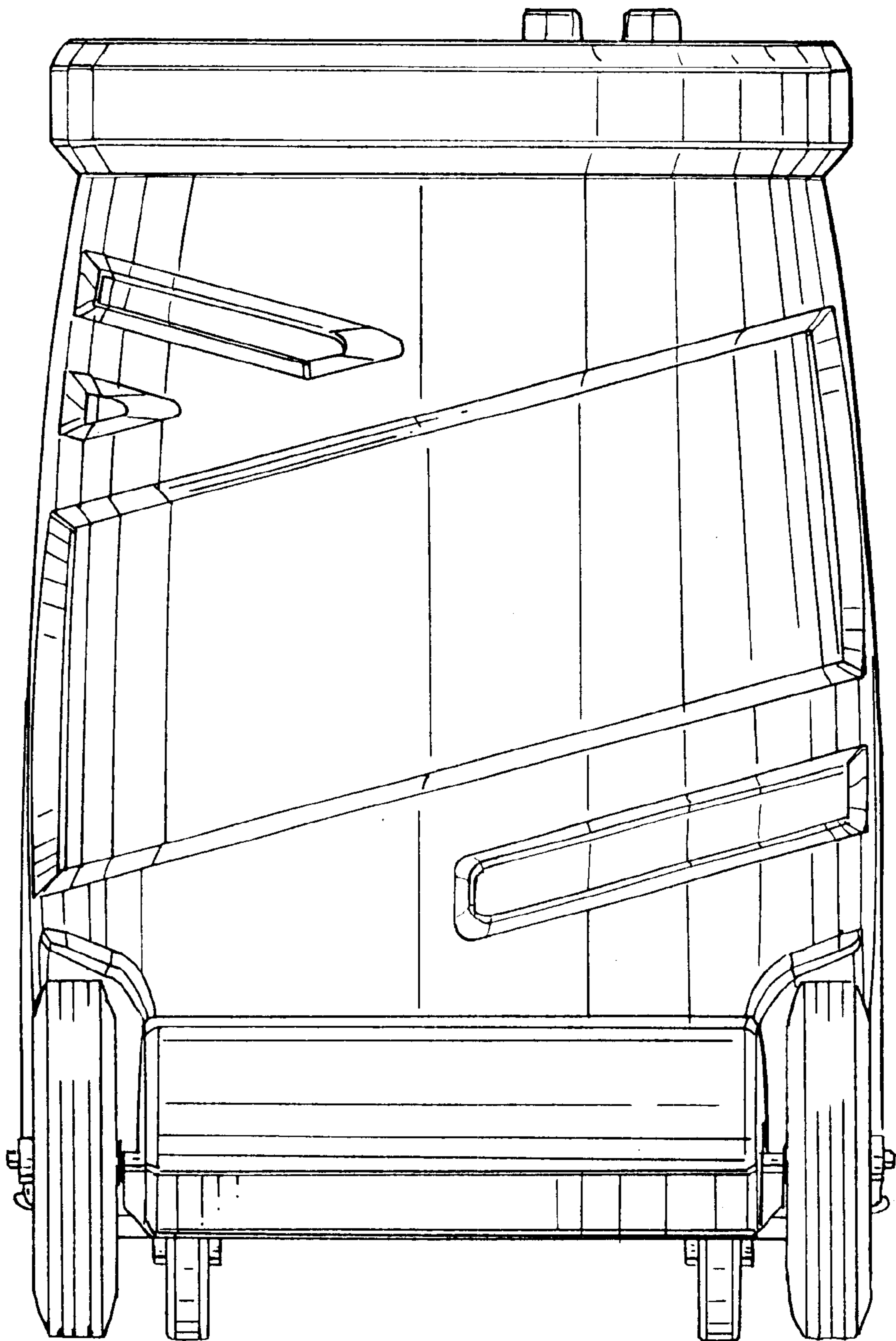


FIG. 4

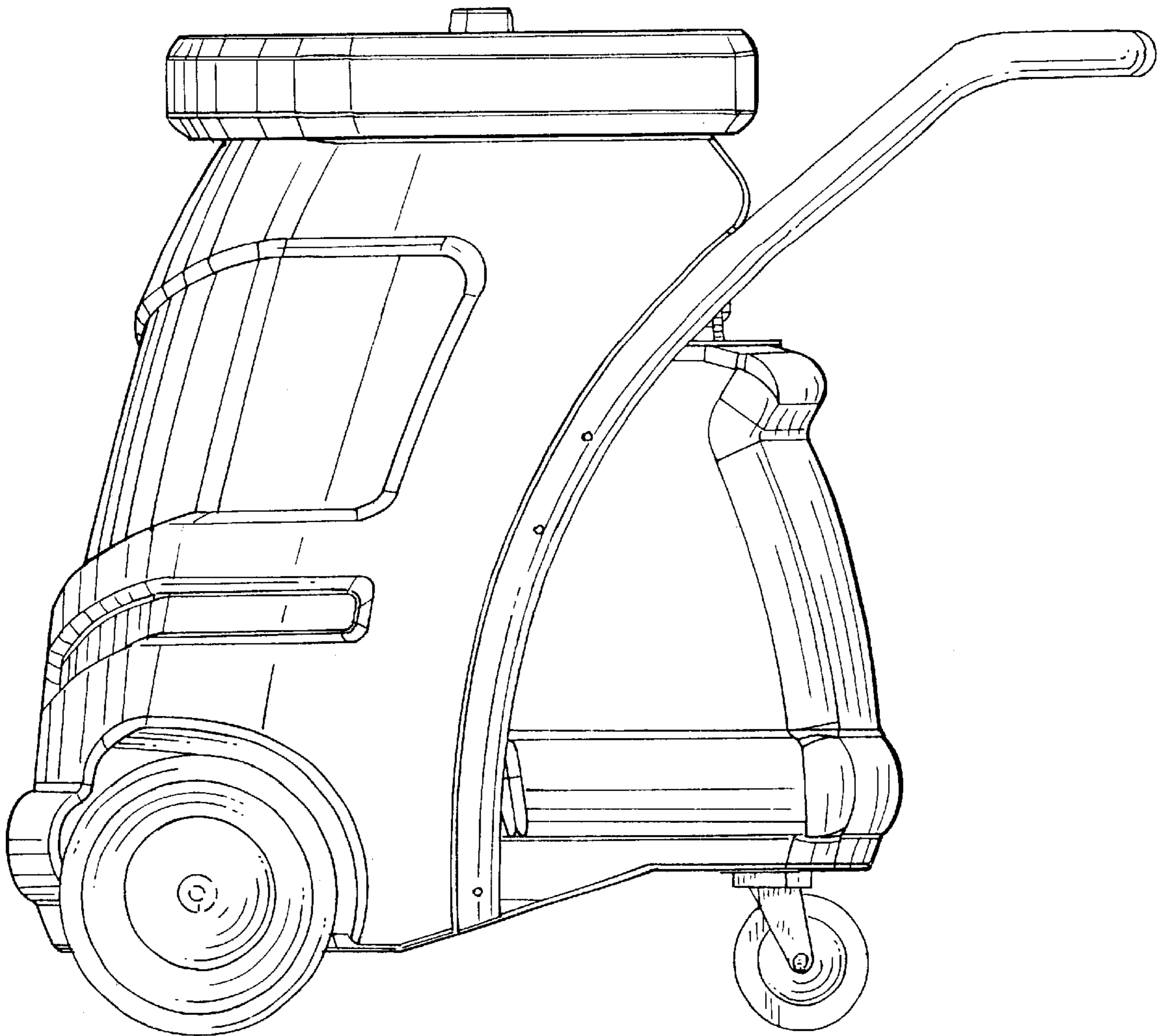


FIG. 5

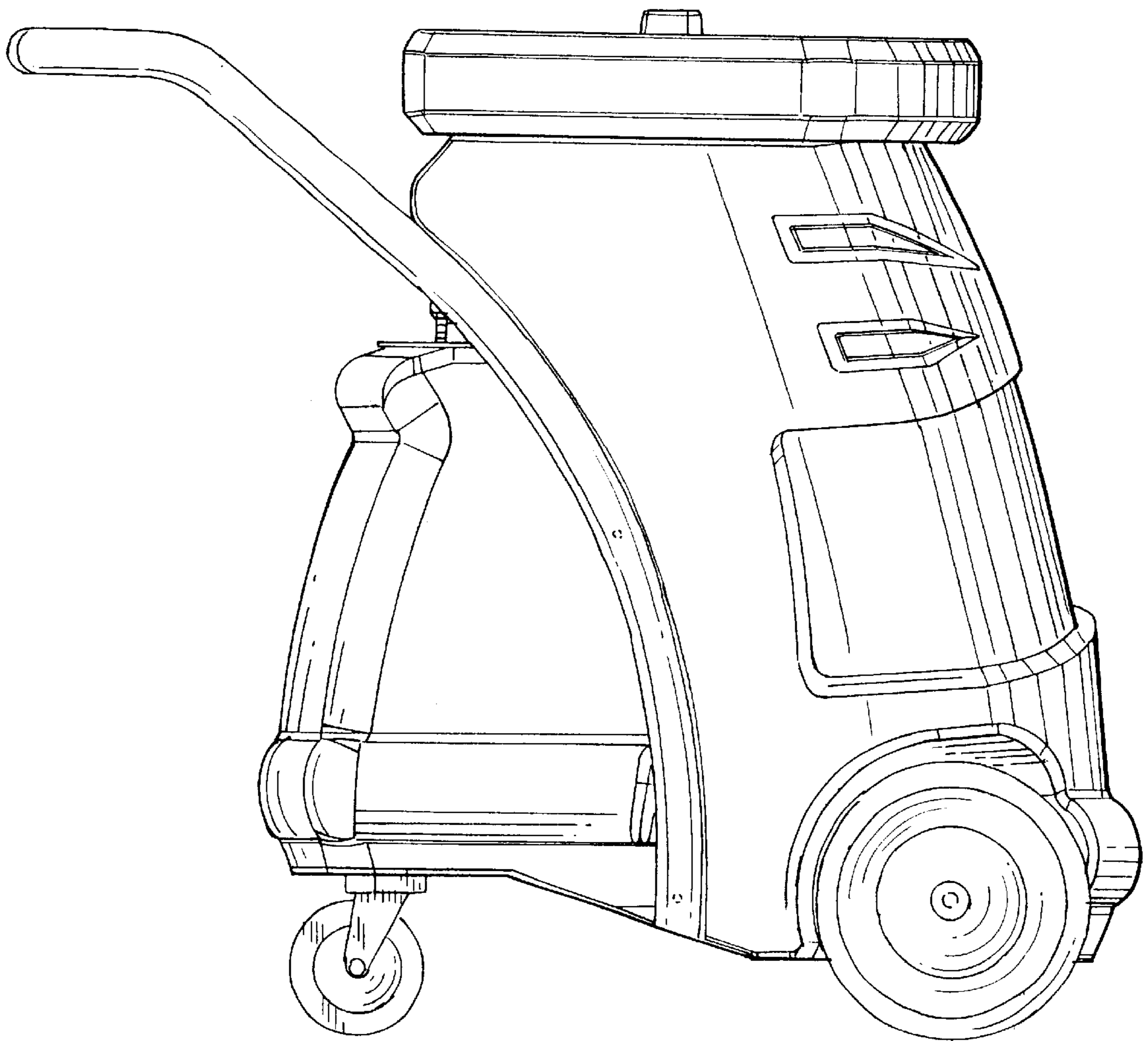


FIG. 6

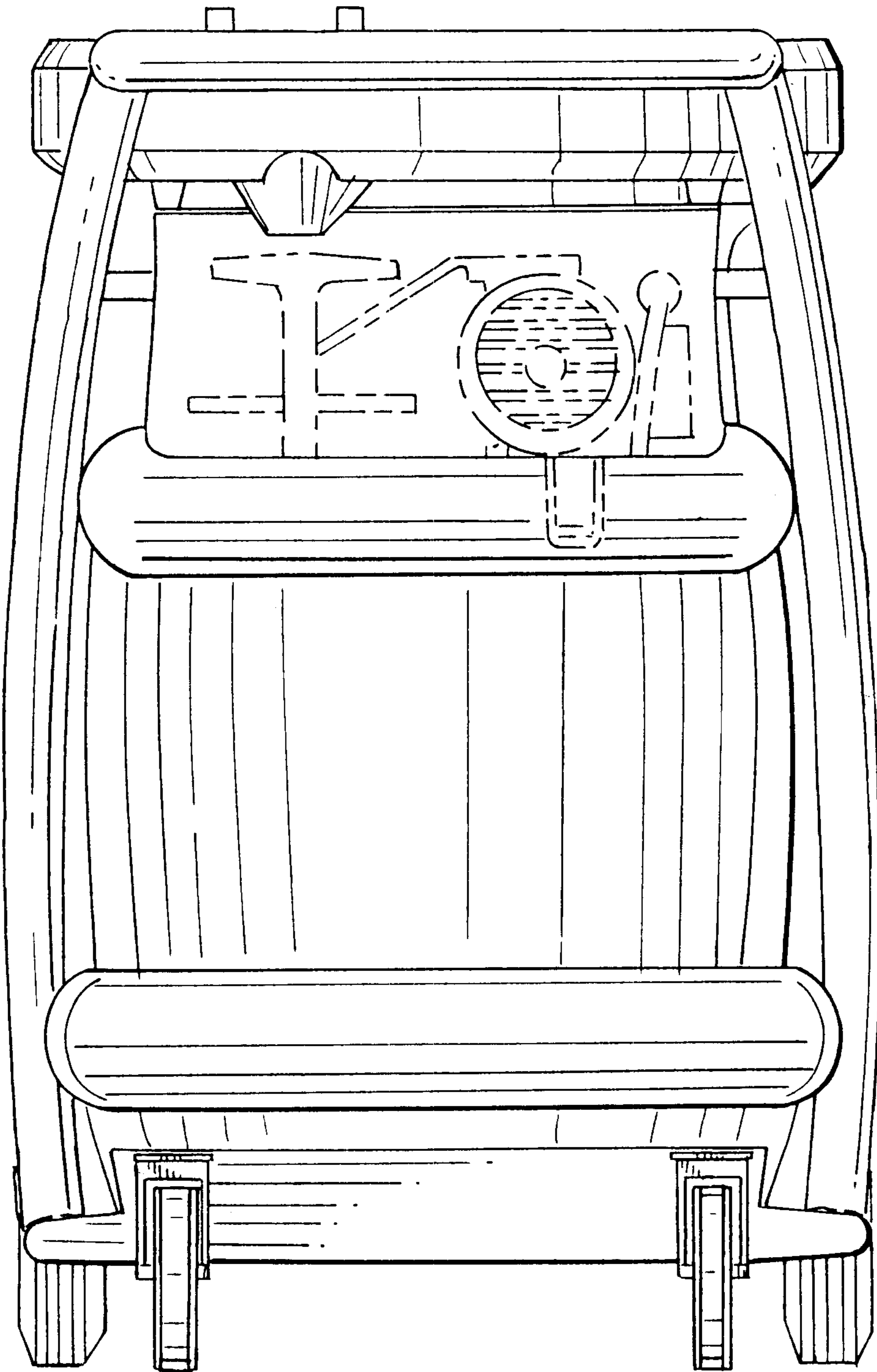


FIG. 7

