



US00D470868S

(12) **United States Design Patent**
Welsh

(10) **Patent No.:**

US D470,868 S

(45) **Date of Patent:**

**** Feb. 25, 2003**

(54) **MAGNETIC DRILL PRESS**

(75) Inventor: **Robert P. Welsh**, Hunt Valley, MD
(US)

(73) Assignee: **Black & Decker Inc.**, Newark, DE
(US)

(**) Term: **14 Years**

(21) Appl. No.: **29/161,584**

(22) Filed: **May 31, 2002**

(51) **LOC (7) Cl.** **15-09**

(52) **U.S. Cl.** **D15/132**

(58) **Field of Search** D15/132; 408/17,
408/22 R, 76, 129, 136

(56) **References Cited**

U.S. PATENT DOCUMENTS

4,261,673 A	4/1981	Hougen	
D267,011 S	11/1982	Morris	
D290,463 S	6/1987	Pelfrey et al.	
4,854,787 A *	8/1989	Ooki et al.	408/17
D325,389 S	4/1992	Lin	
D329,438 S	9/1992	Asano et al.	
D344,438 S	2/1994	Wood	

D348,074 S	6/1994	Asano
5,415,503 A	5/1995	Strange et al.
D365,581 S	12/1995	McCourtney
6,102,633 A	8/2000	Uehlein-Proctor
D445,808 S	7/2001	Gill
D446,227 S	8/2001	Gill
D447,494 S	9/2001	Miller
D459,372 S	6/2002	Asano

* cited by examiner

Primary Examiner—Antoine Duval Davis
(74) *Attorney, Agent, or Firm*—Michael P. Leary

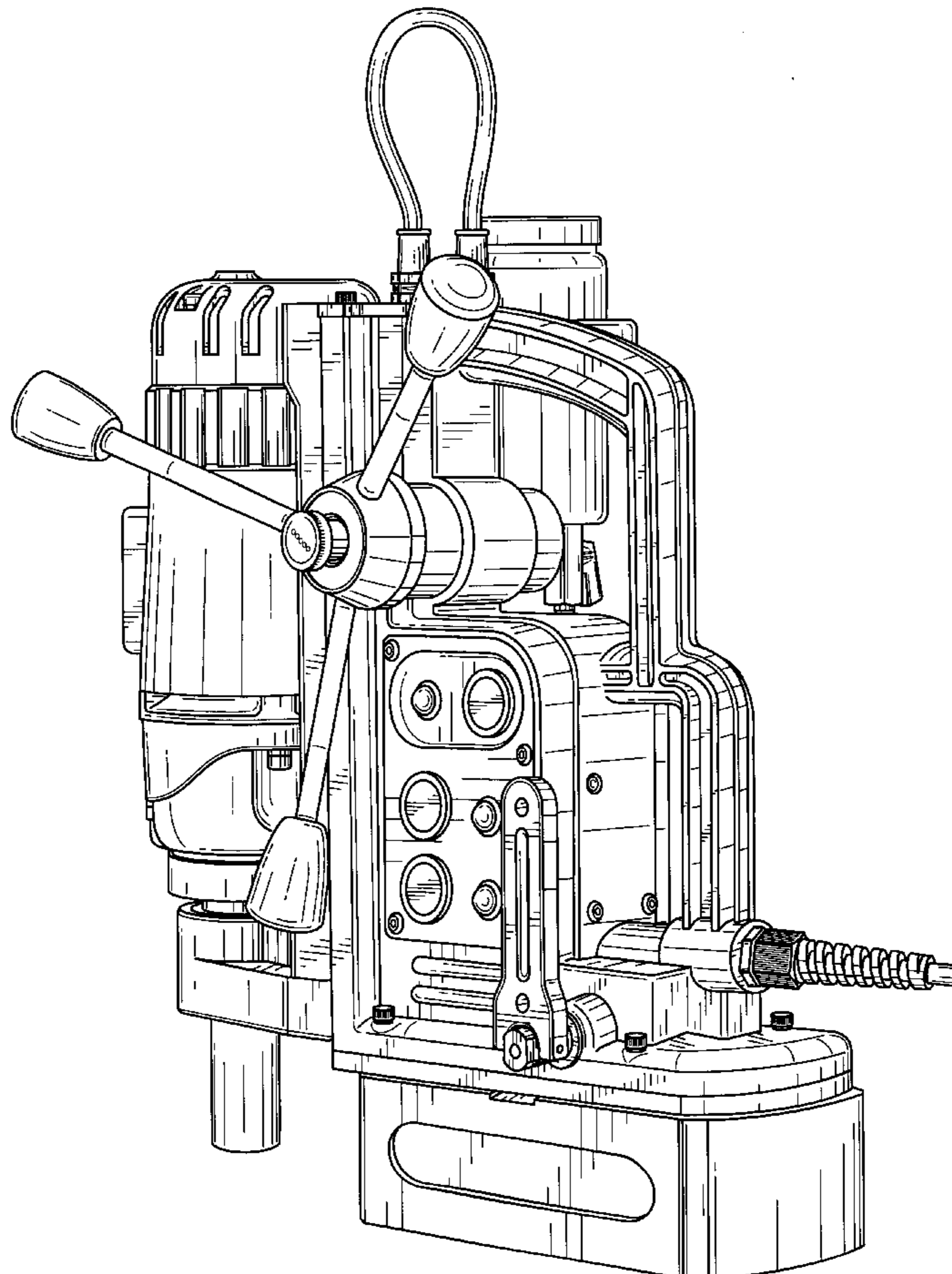
(57) **CLAIM**

The ornamental design for a magnetic drill press, as shown and described.

DESCRIPTION

FIG. 1 is a front perspective view of a magnetic drill press showing my design.
FIG. 2 is a right side elevational view thereof.
FIG. 3 is a left side elevational view thereof.
FIG. 4 is a front elevational view thereof.
FIG. 5 is a rear elevational view thereof.
FIG. 6 is a top plan view thereof; and,
FIG. 7 is a bottom plan view thereof.

1 Claim, 6 Drawing Sheets



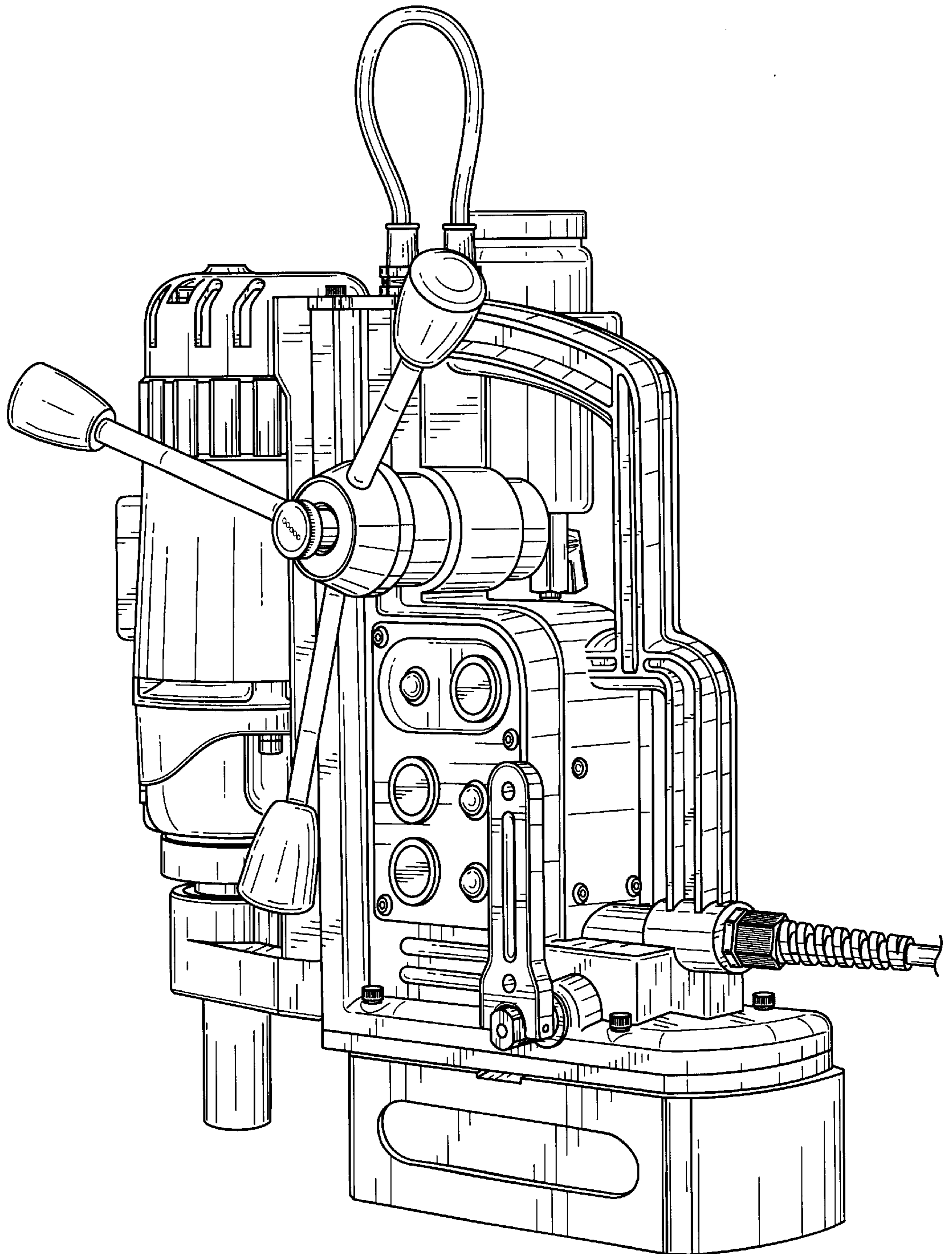


FIG.1

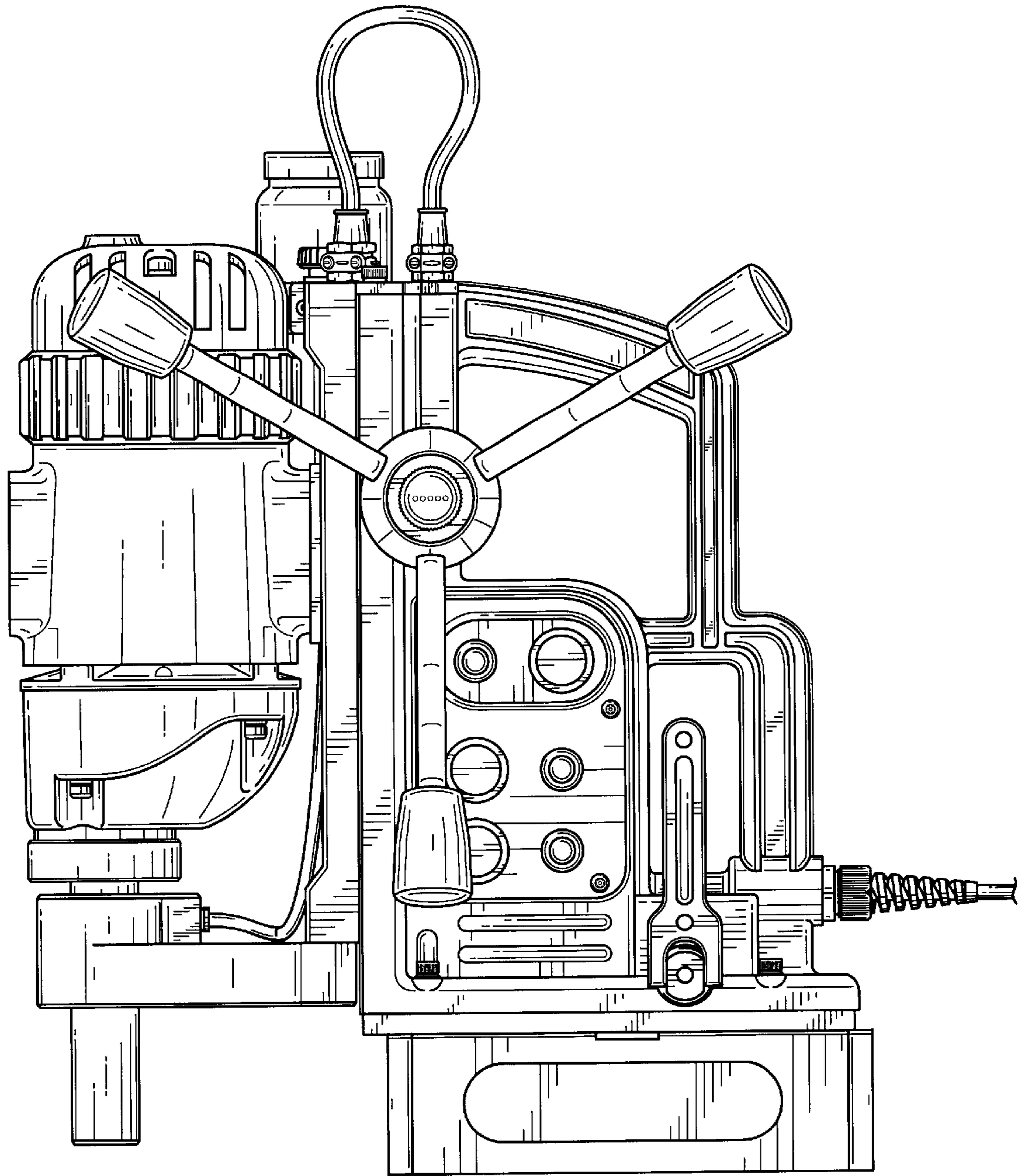


FIG. 2

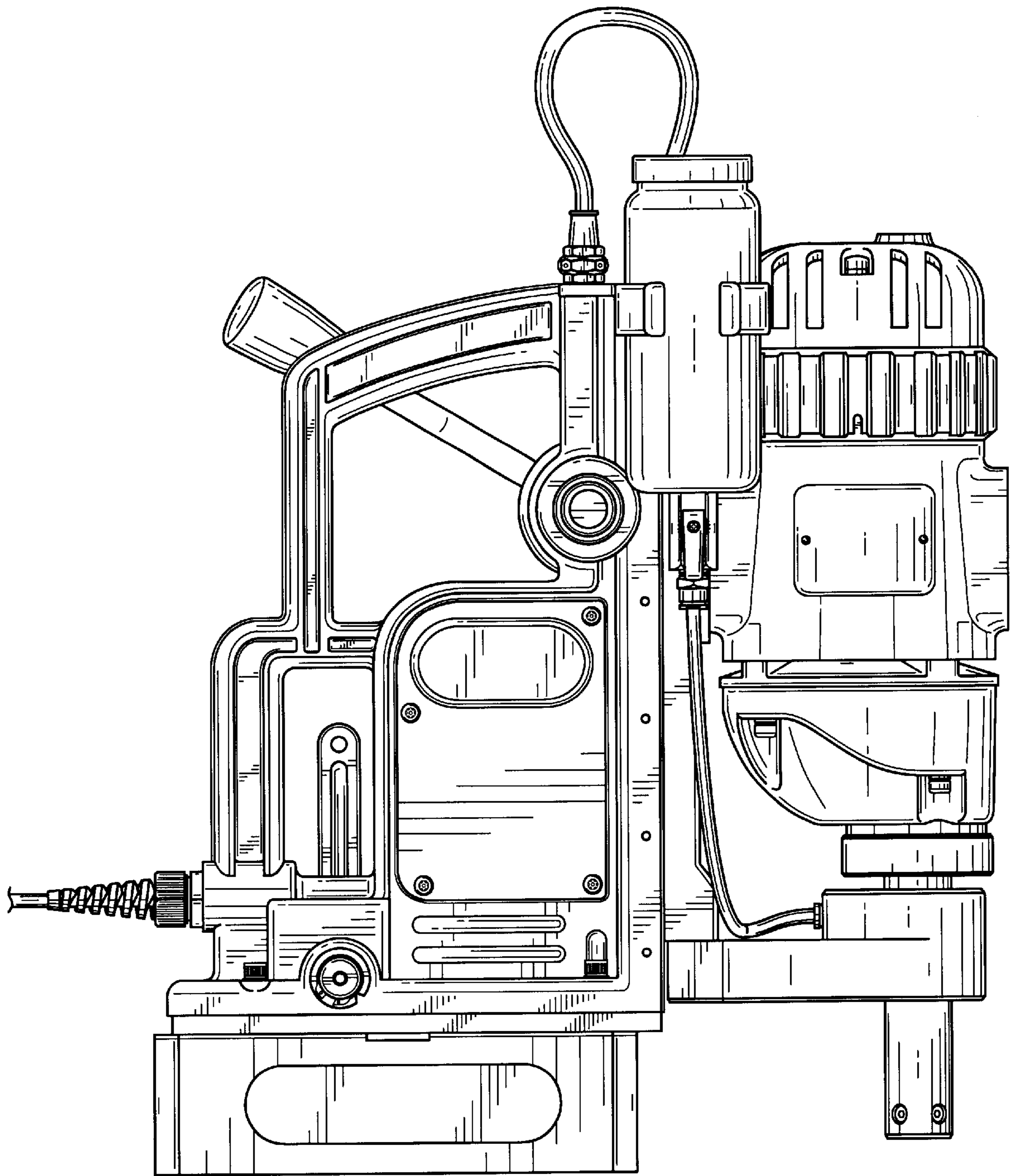


FIG. 3

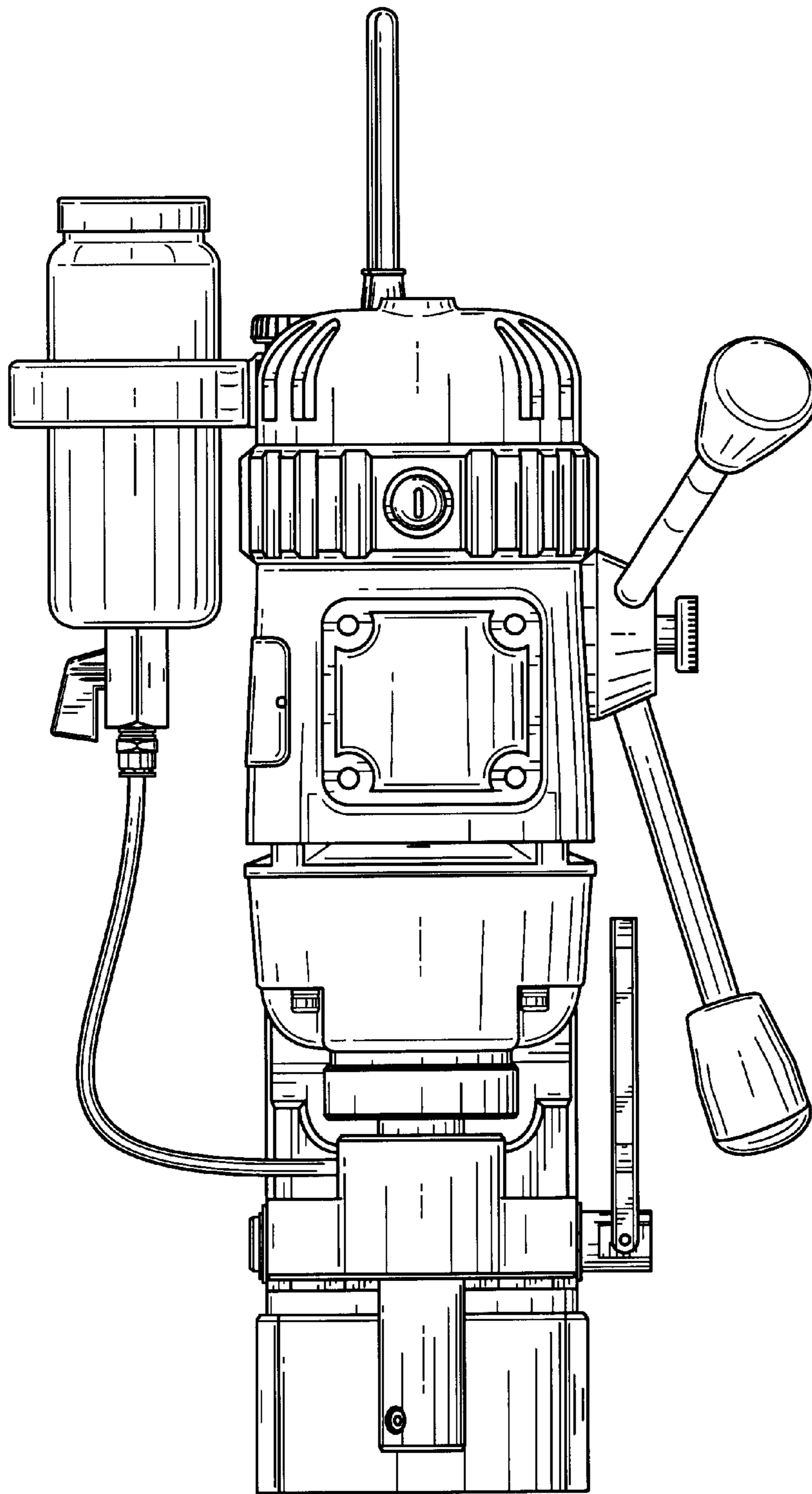


FIG. 4

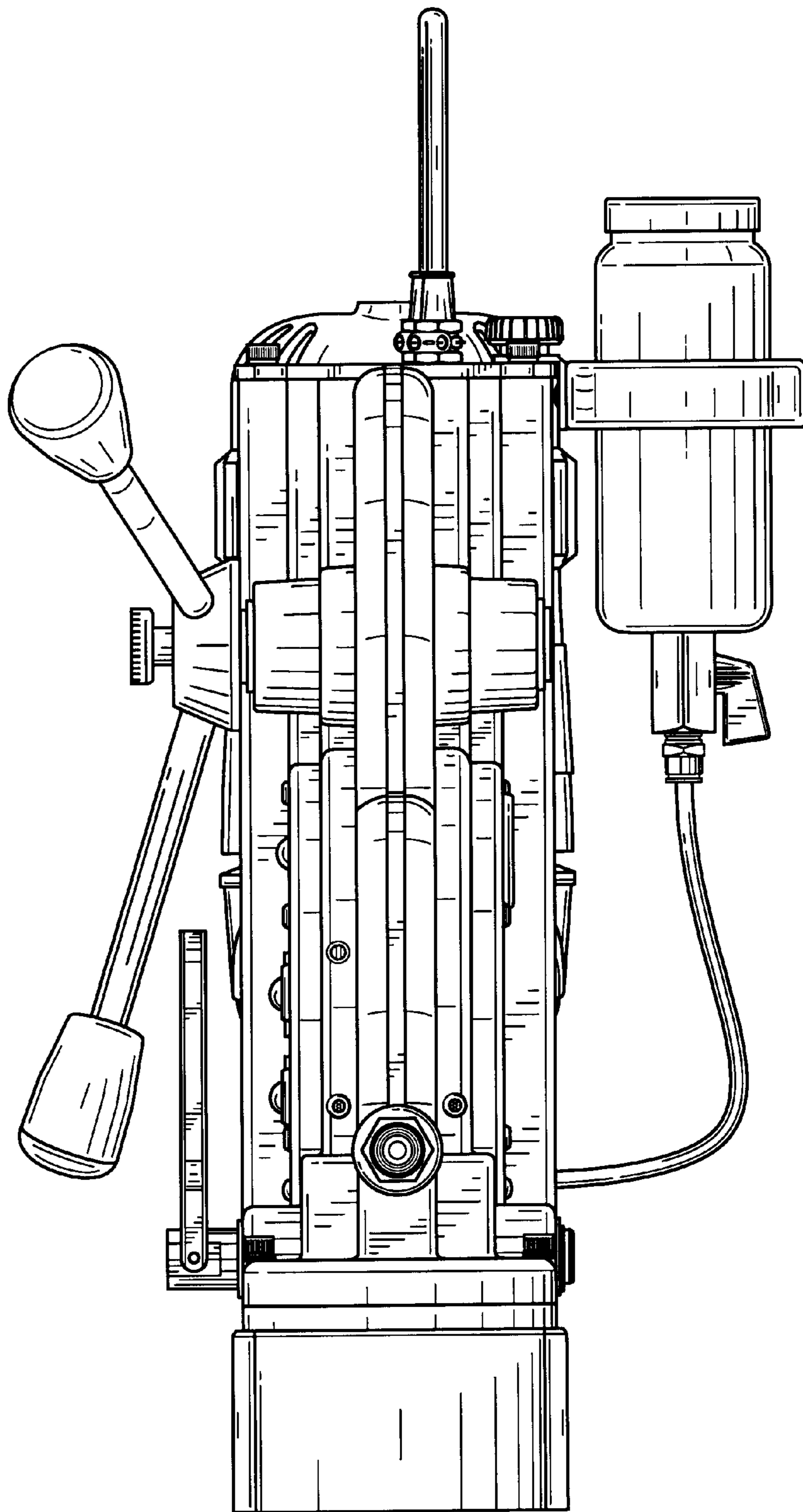


FIG. 5

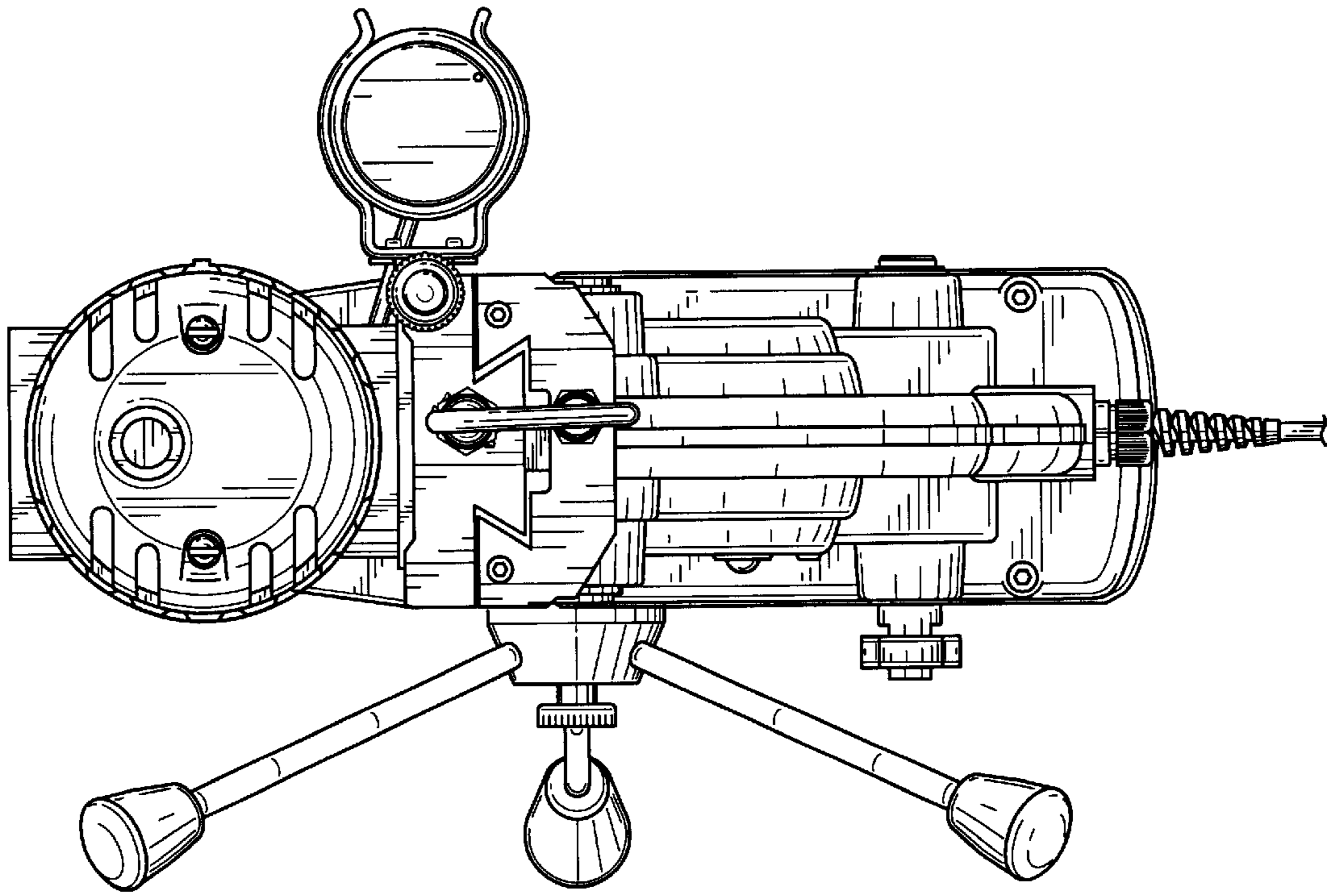


FIG. 6

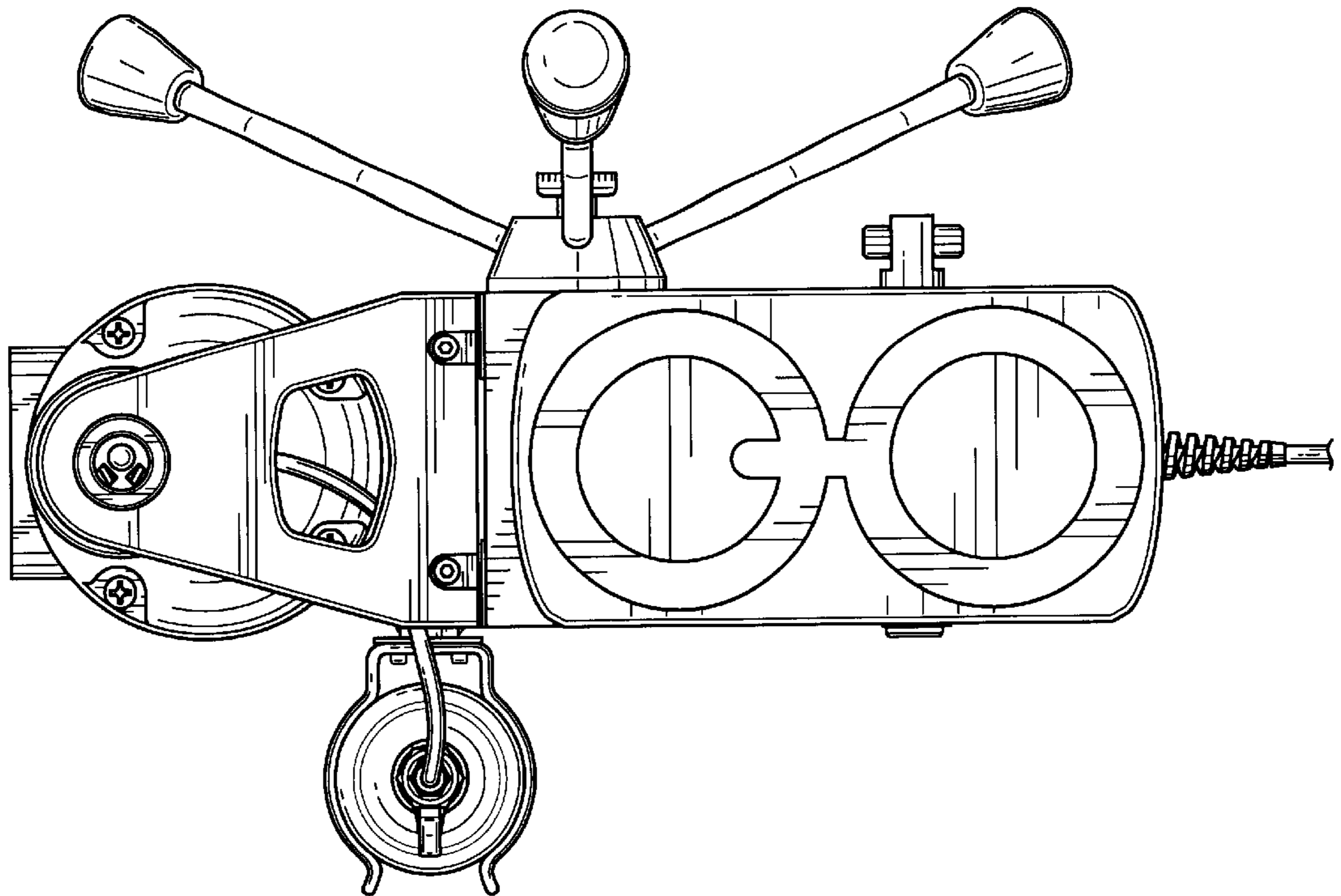


FIG. 7