



US00D470864S

(12) **United States Design Patent**  
**Shibukawa et al.**

(10) **Patent No.:** **US D470,864 S**

(45) **Date of Patent:** **\*\* Feb. 25, 2003**

(54) **ELECTROMAGNETIC DIAPHRAGM PUMP**

(75) Inventors: **Katsuhiko Shibukawa**, Tokyo (JP);  
**Atsuki Hashimoto**, Tokyo (JP)

(73) Assignee: **Nitto Kohki Co., Ltd.**, Tokyo (JP)

(\*\*) Term: **14 Years**

(21) Appl. No.: **29/151,716**

(22) Filed: **Dec. 11, 2001**

(30) **Foreign Application Priority Data**

Jul. 6, 2001 (JP) ..... 2001-019899

(51) **LOC (7) Cl.** ..... **15-02**

(52) **U.S. Cl.** ..... **D15/7**

(58) **Field of Search** ..... D15/7-9; 417/222.1,  
417/222.2, 270, 234, 368

(56) **References Cited**

**U.S. PATENT DOCUMENTS**

D414,500 S \* 9/1999 Davis et al. .... D15/7

D453,939 S \* 2/2002 Ochiai ..... D15/9

\* cited by examiner

*Primary Examiner*—Ralf Seifert

(74) *Attorney, Agent, or Firm*—Wenderoth, Lind & Ponack,  
L.L.P.

(57) **CLAIM**

The ornamental design for an electromagnetic diaphragm pump, as shown in the drawings and described above.

**DESCRIPTION**

FIG. 1 is a perspective view of an electromagnetic diaphragm pump when seen from the top and left side of the front, showing my new design;

FIG. 2 is a front elevational view thereof;

FIG. 3 is a rear elevational view thereof;

FIG. 4 is a left side elevational view thereof;

FIG. 5 is a right side elevational view thereof;

FIG. 6 is a top plan view thereof;

FIG. 7 is a bottom plan view thereof; and,

FIG. 8 is a partially cutaway, cross section taken across FIG. 6 along line VIII—VIII.

**1 Claim, 4 Drawing Sheets**

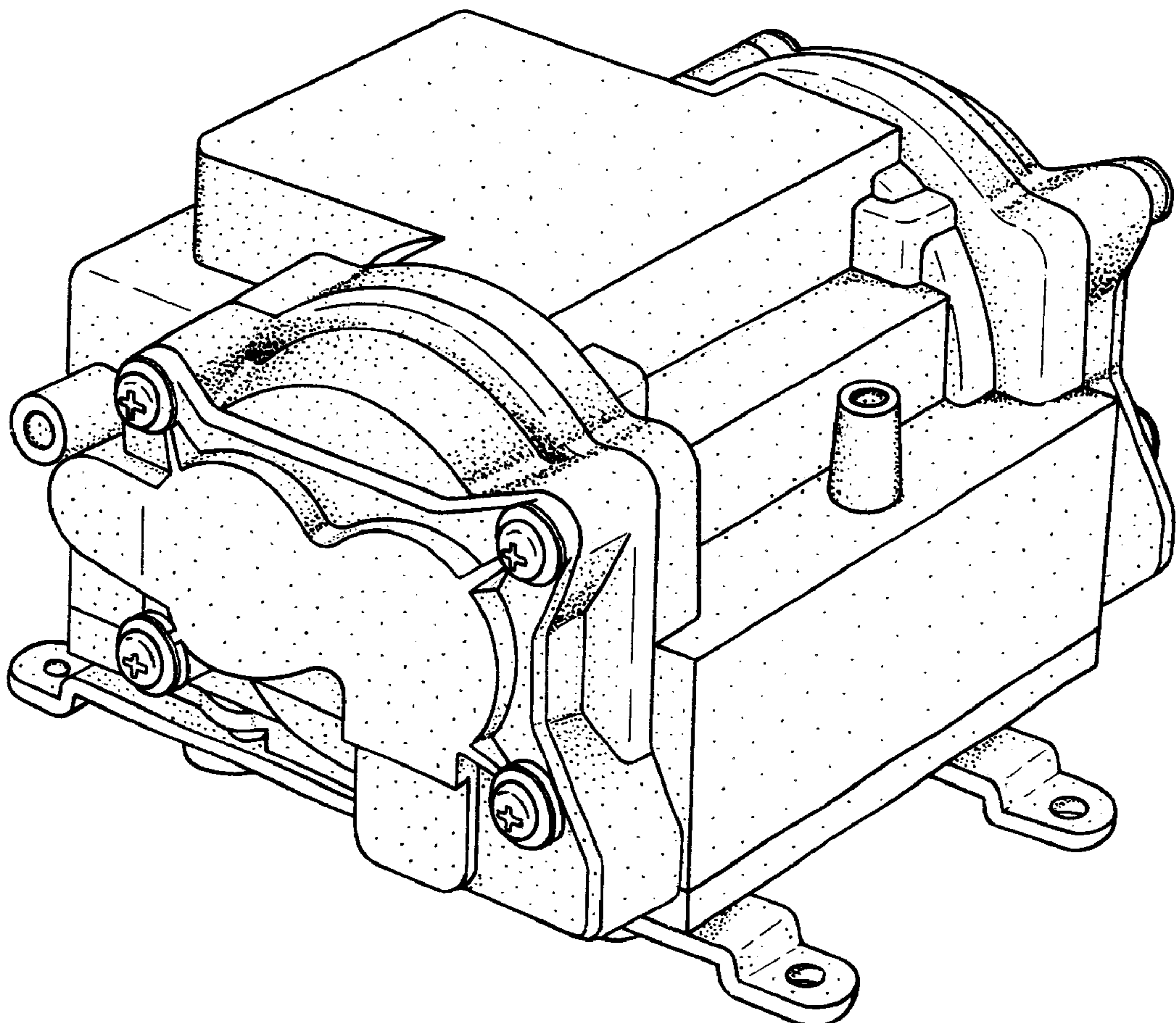


FIG. 1

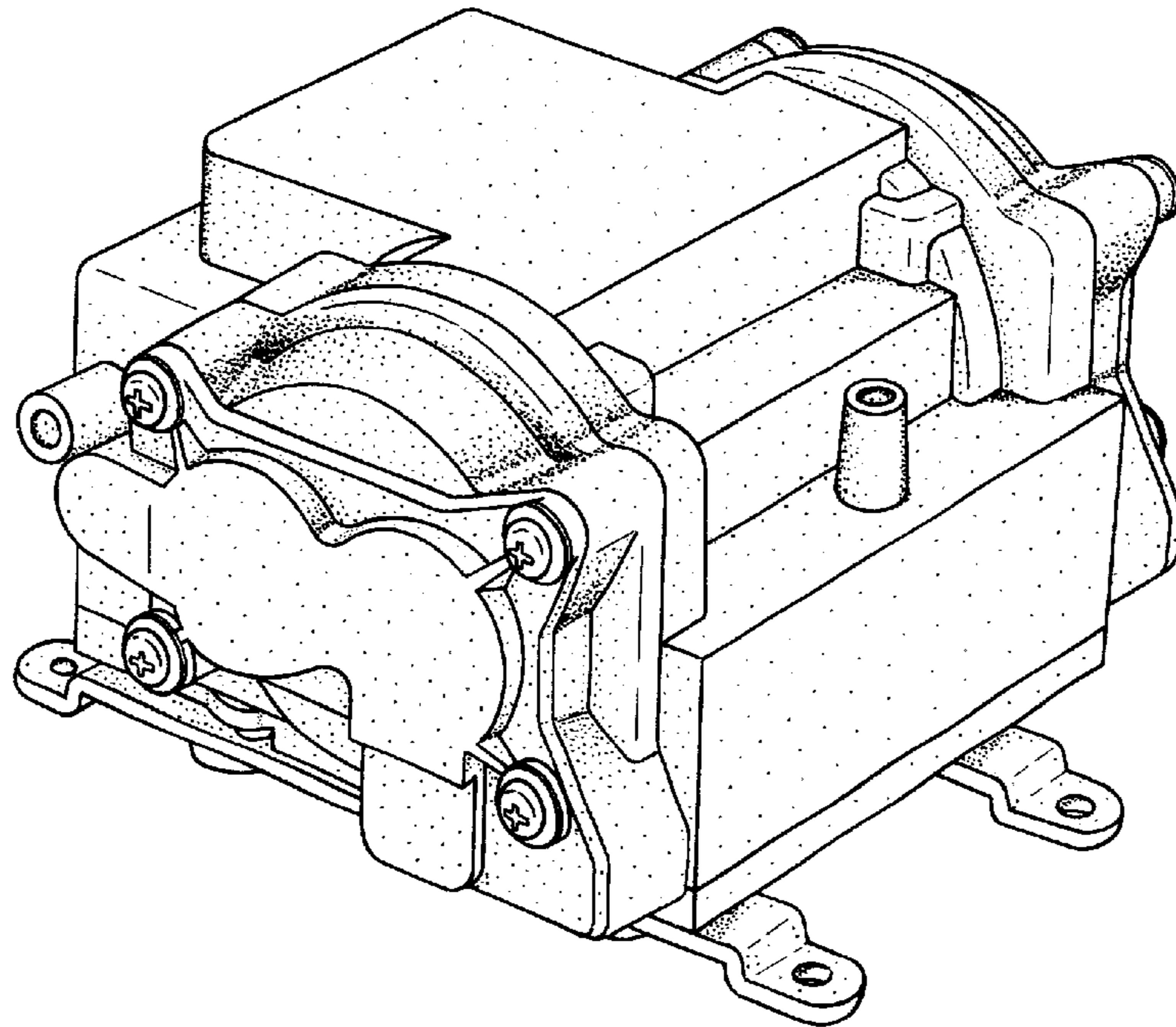


FIG. 2

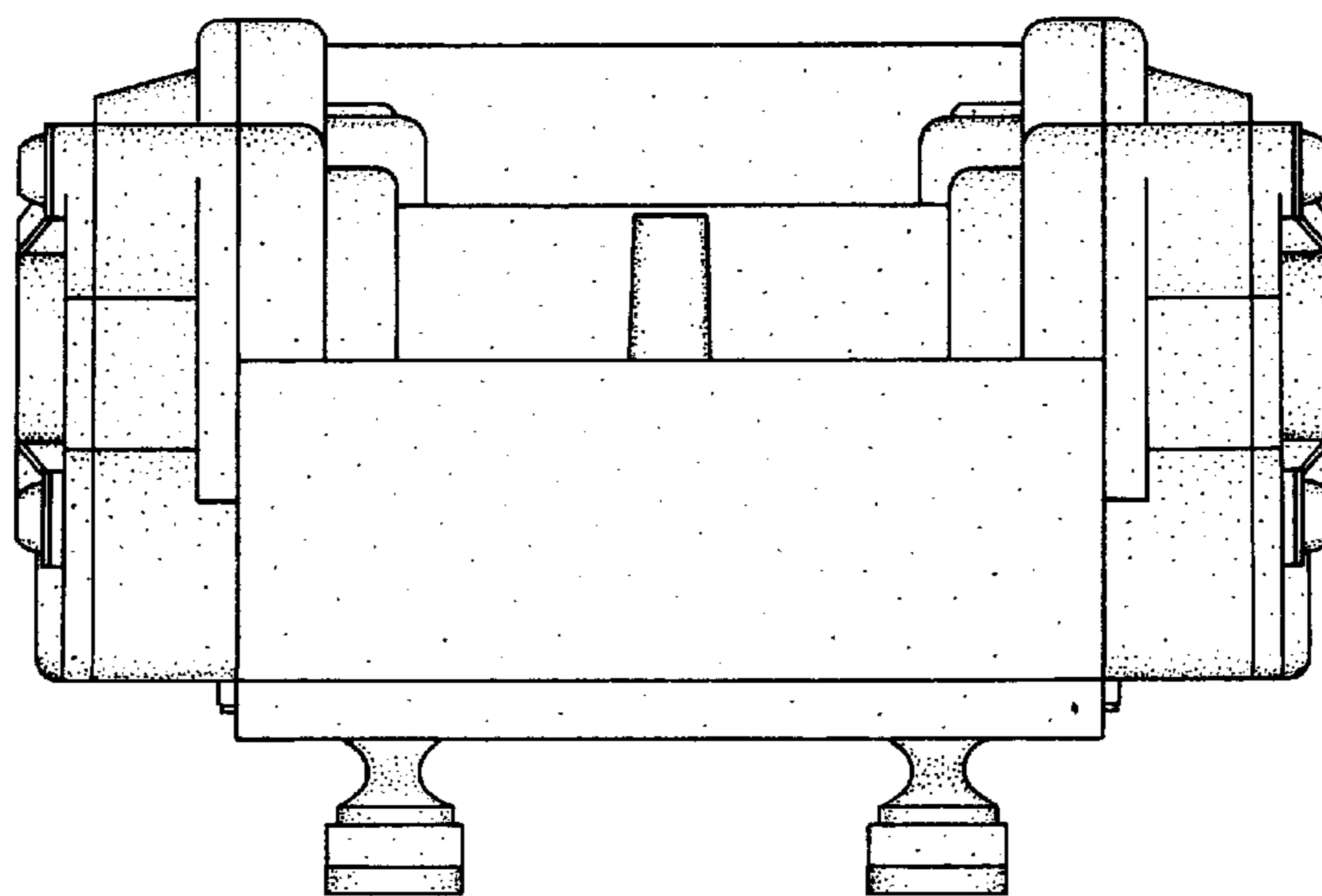


FIG. 3

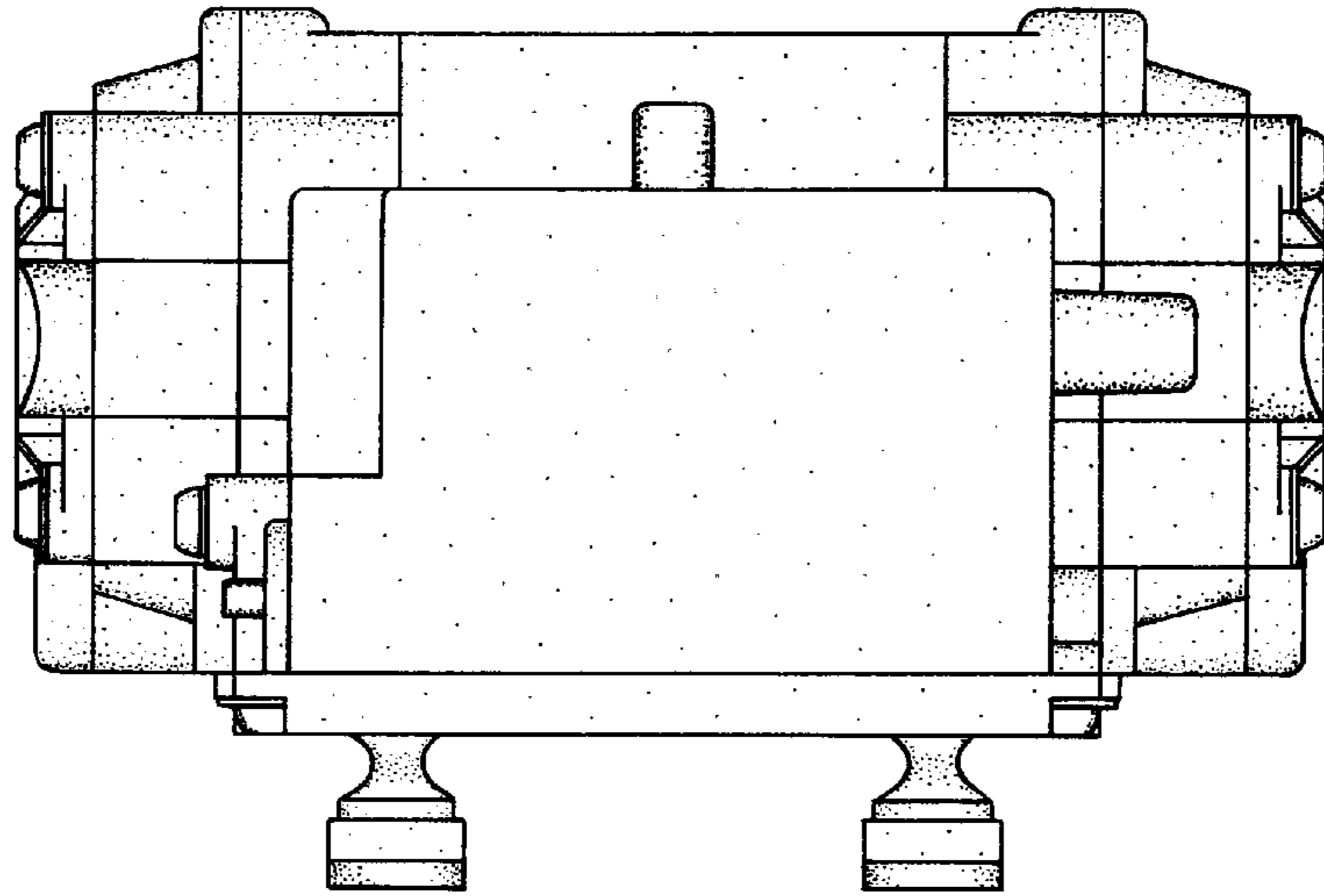


FIG. 4

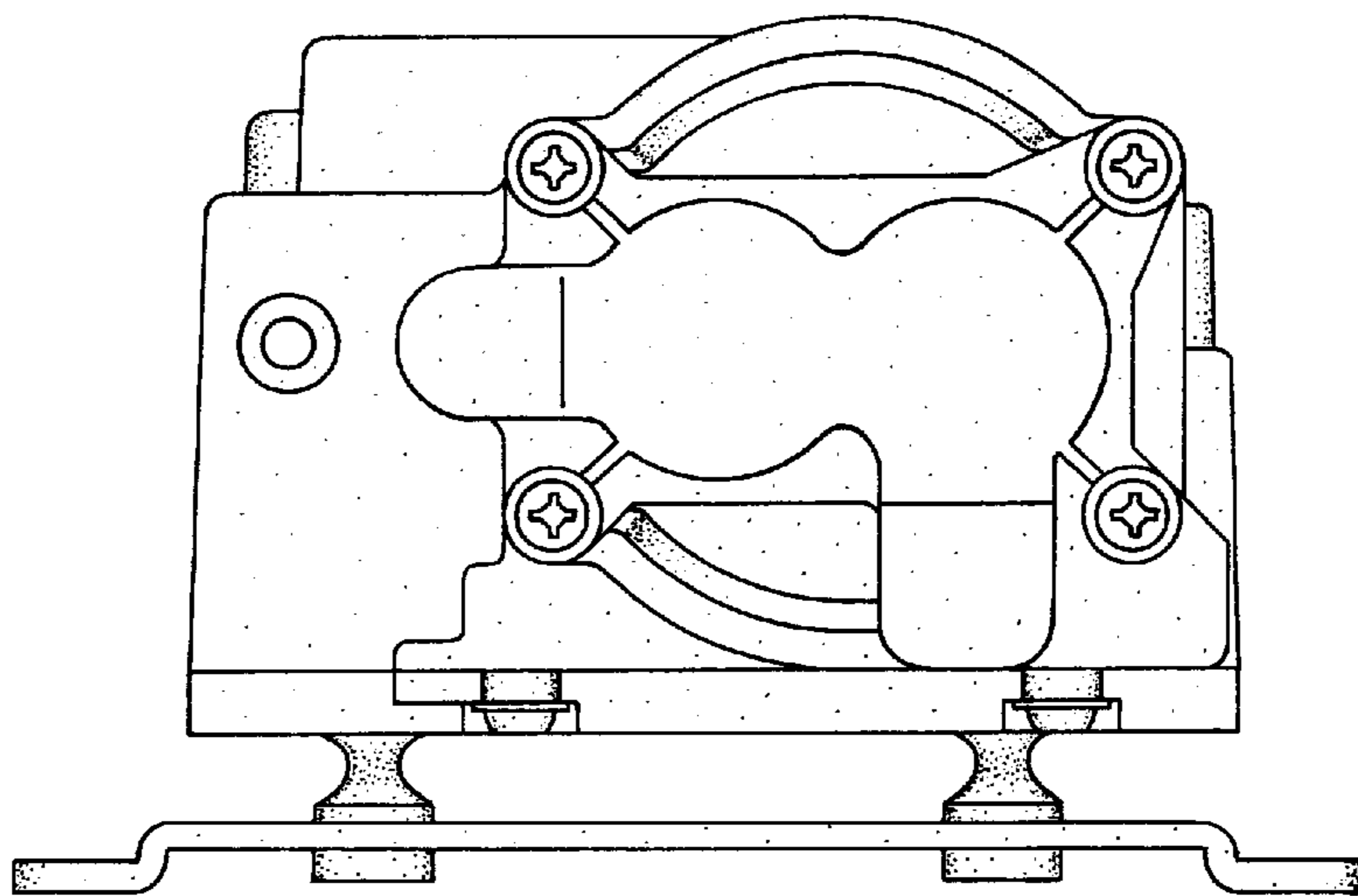


FIG. 5

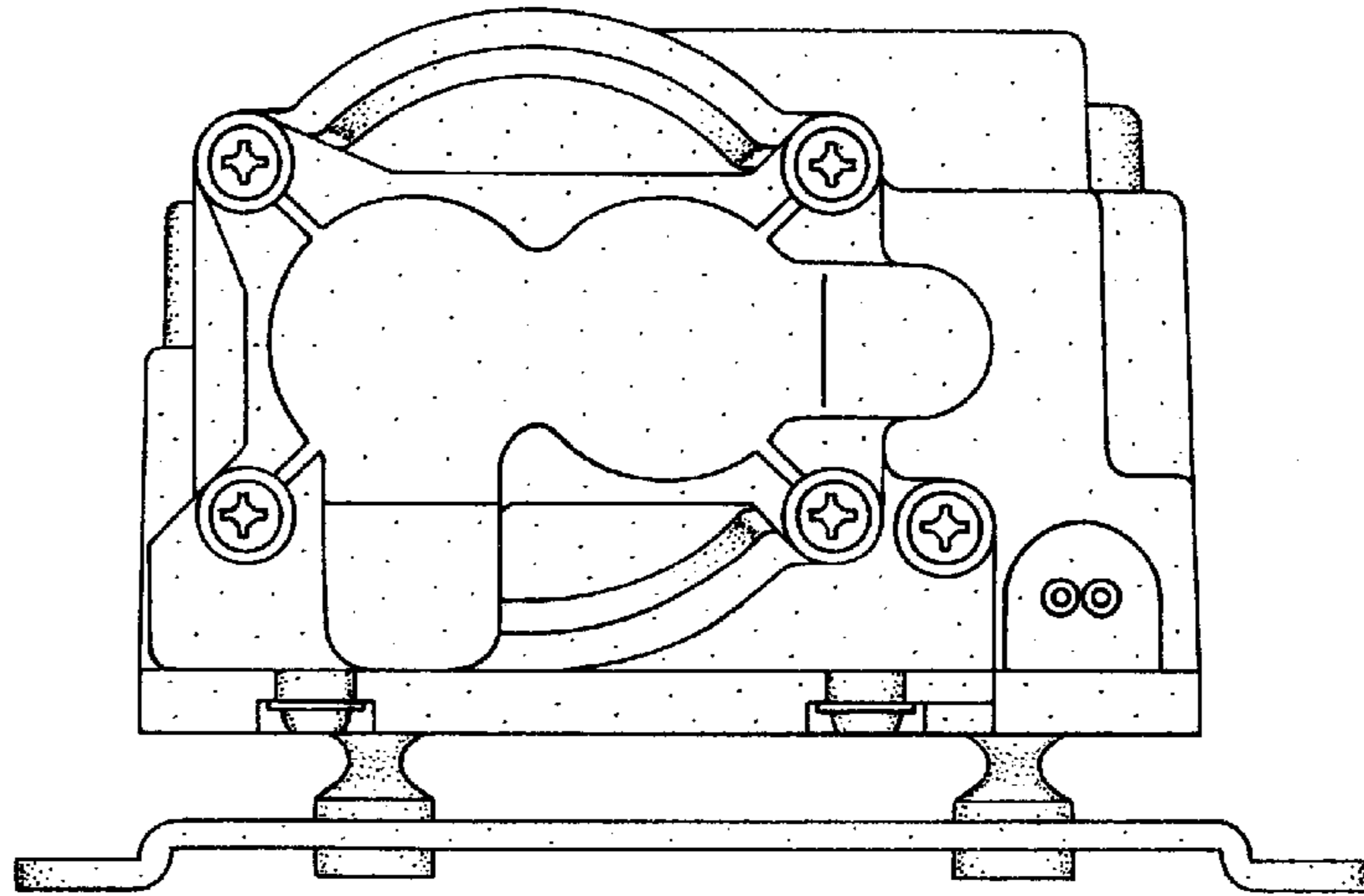


FIG. 6

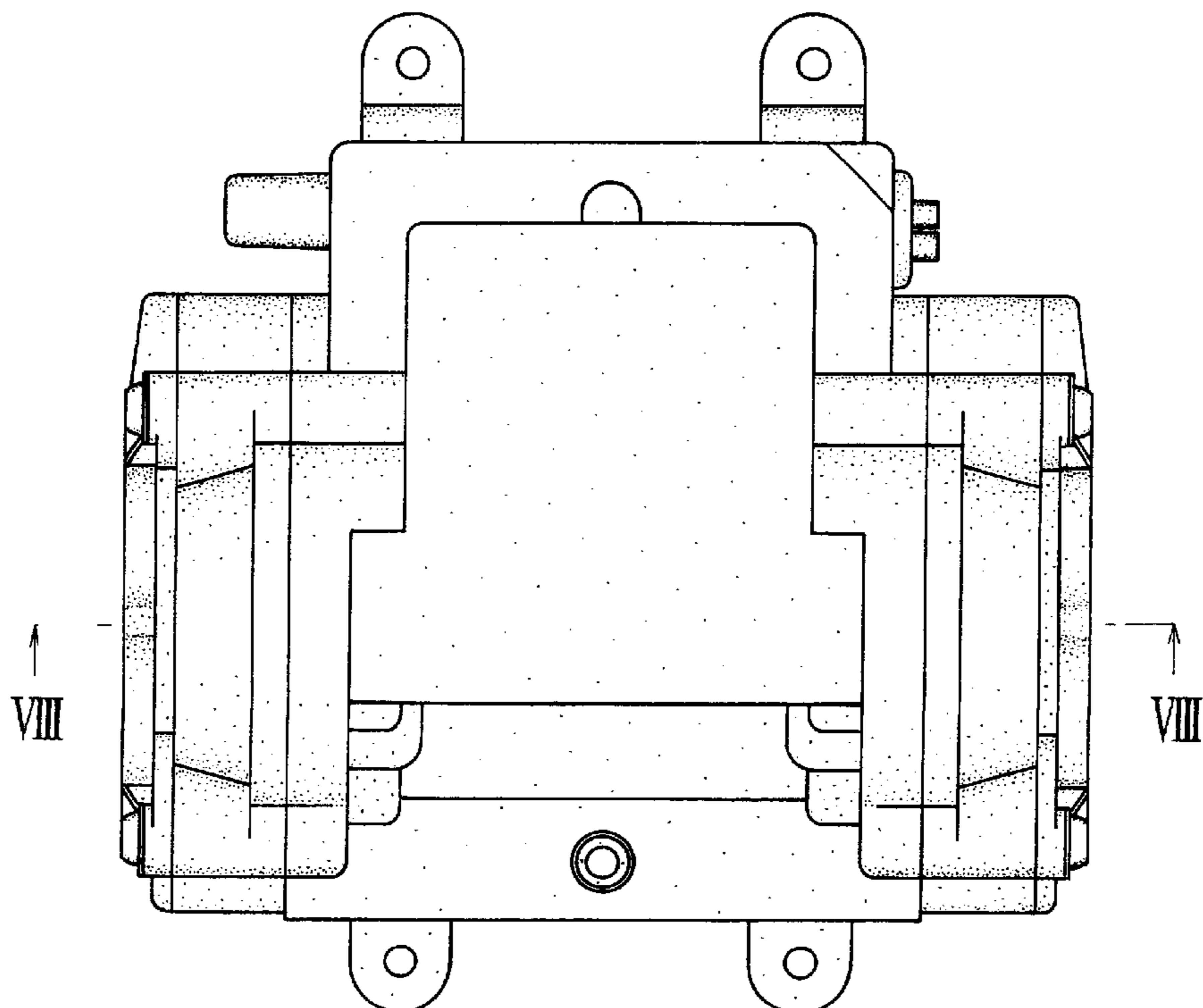


FIG. 7

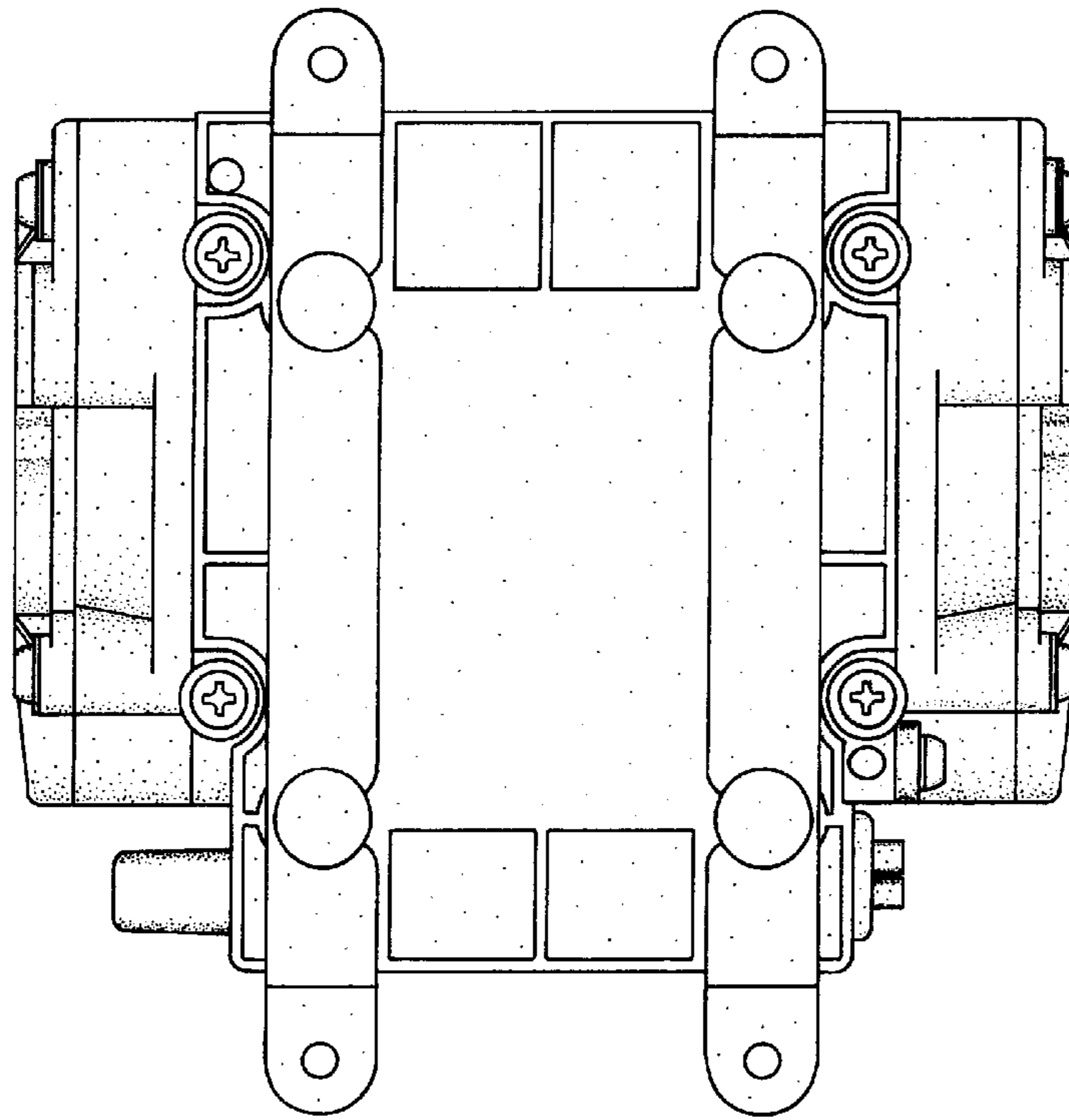


FIG. 8

