



US00D470863S

(12) **United States Design Patent**  
**Williams**

(10) **Patent No.: US D470,863 S**

(45) **Date of Patent: \*\* Feb. 25, 2003**

(54) **AIR PUMP**

(75) Inventor: **Kevin Williams**, Brooklyn, NY (US)

(73) Assignee: **Interdynamics, Inc.**, Brooklyn, NY (US)

(\*\*) Term: **14 Years**

(21) Appl. No.: **29/131,779**

(22) Filed: **Oct. 27, 2000**

(51) **LOC (7) Cl.** ..... **15-02**

(52) **U.S. Cl.** ..... **D15/7**

(58) **Field of Search** ..... D15/7-9.1; D23/259;  
138/33; 285/24, 156, 8, 148.13, 41, 61,  
155, 292, 382, 423; 137/208; 221/61; 417/234,  
368

(56) **References Cited**

**U.S. PATENT DOCUMENTS**

D248,396 S	*	7/1978	Sendak	.....	D15/7
D336,090 S	*	6/1993	Lacorazza	.....	D15/7
D348,677 S	*	7/1994	Phillips et al.	.....	D15/7
D358,397 S	*	5/1995	Phillips et al.	.....	D15/7
D400,892 S	*	11/1998	Williams	.....	D15/9
D405,097 S	*	2/1999	Wong	.....	D15/7
D415,500 S	*	10/1999	Poon	.....	D15/7
D421,756 S	*	3/2000	Bonzer	.....	D15/7
D423,519 S	*	4/2000	Bonzer	.....	D15/9

\* cited by examiner

*Primary Examiner*—Ralf Seifert

(74) *Attorney, Agent, or Firm*—Levisohn, Lerner, Berger & Langsam, LLP

(57) **CLAIM**

The air pump, as shown and described in the drawings.

**DESCRIPTION**

FIG. 1 is a front elevational view of the air pump of this invention.

FIG. 2 is a rear elevational view of the air pump of this invention.

FIG. 3 is a right side elevational view of the air pump of this invention.

FIG. 4 is a left side elevational view of the air pump of this invention.

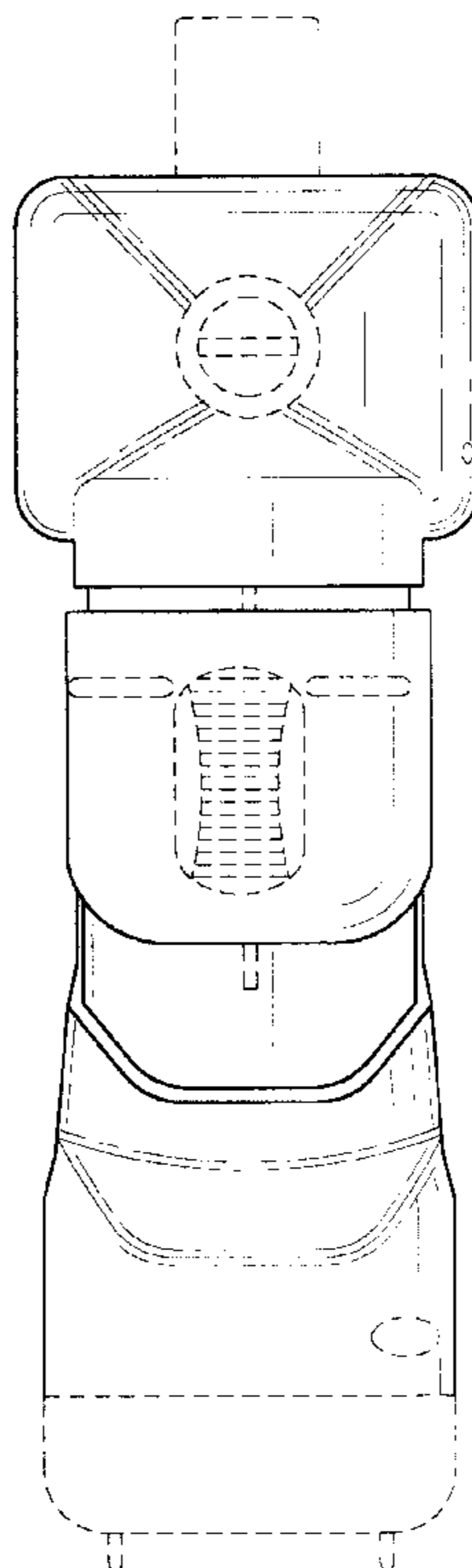
FIG. 5 is a top elevational view of the air pump of this invention.

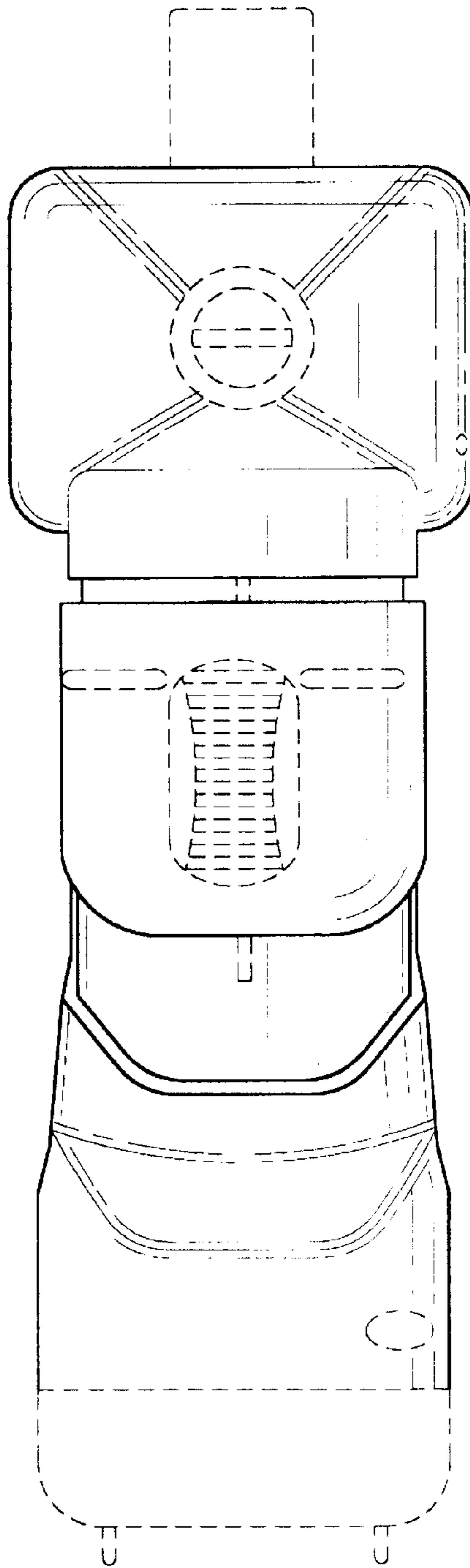
FIG. 6 is a bottom elevational view of the air pump of this invention; and,

FIG. 7 is a right perspective view of the air pump of this invention.

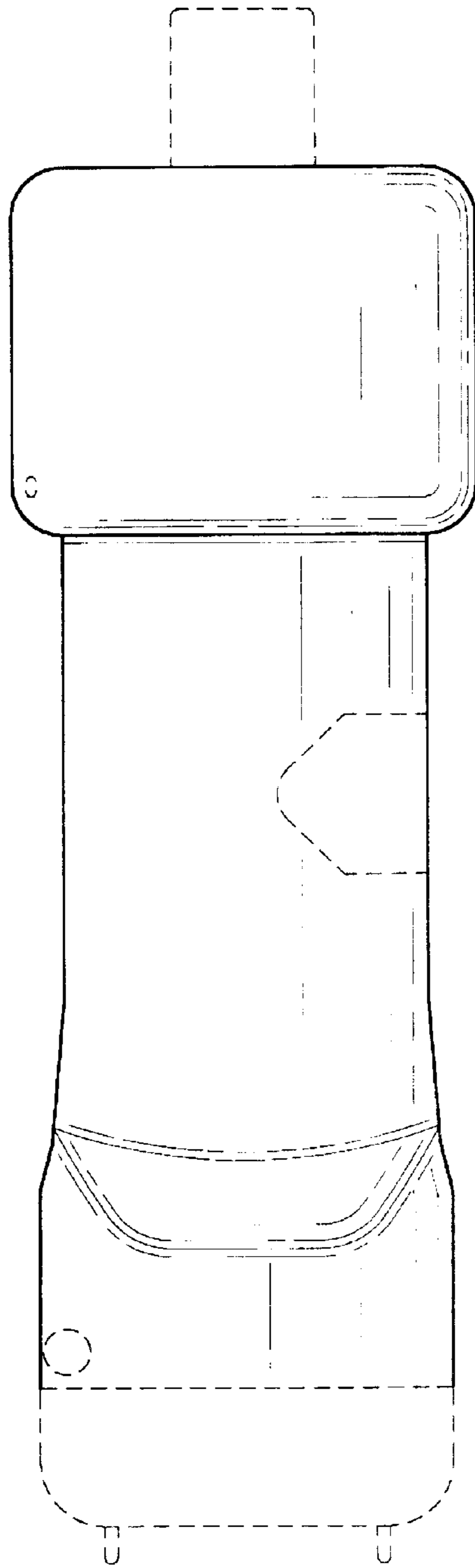
The portions of the invention surrounded by dotted lines are for illustrative purposes only and form no part of the claimed invention. Specifically, the front cylindrical projection and top cylindrical projection, the thumb button on the front sliding plate, the two air holes on the front sliding plate, the removable battery pack on the bottom, the electrical socket on the right side, the logo in FIGS. 3 and 7, and the various screw holes are for illustrative purposes only and form no part of the claimed invention.

**1 Claim, 6 Drawing Sheets**





*FIG. 1*



*FIG. 2*

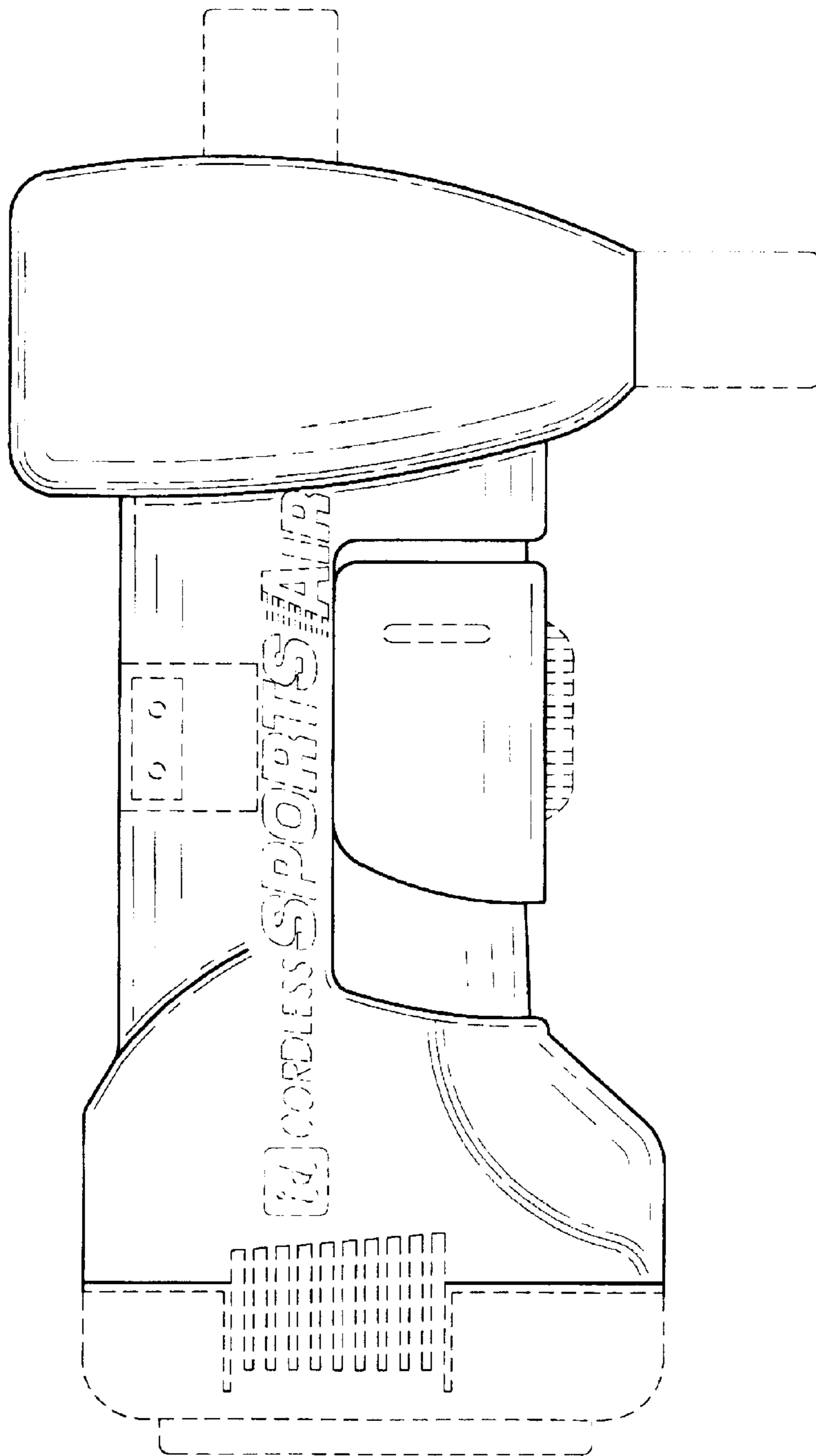


FIG. 3

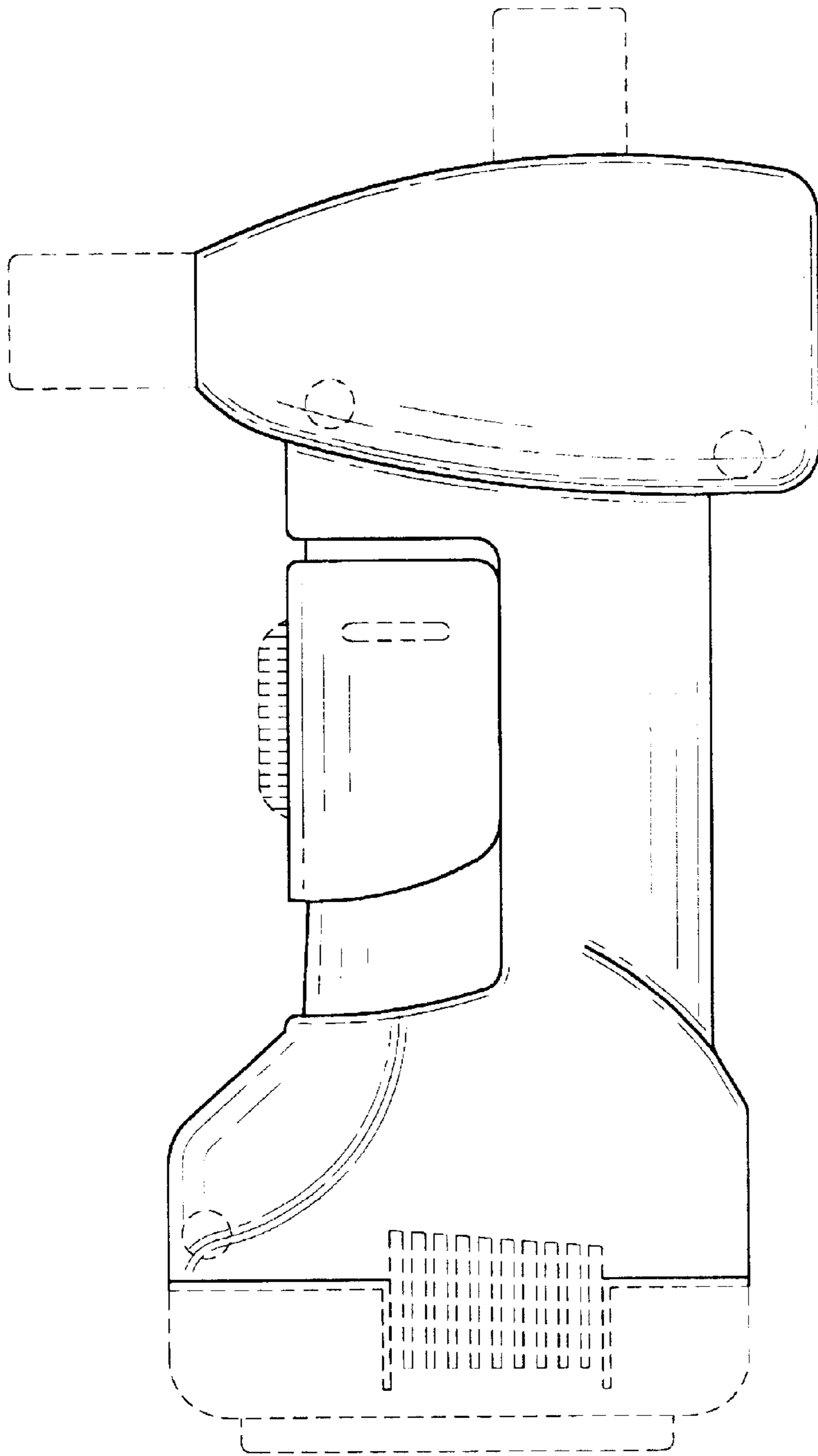
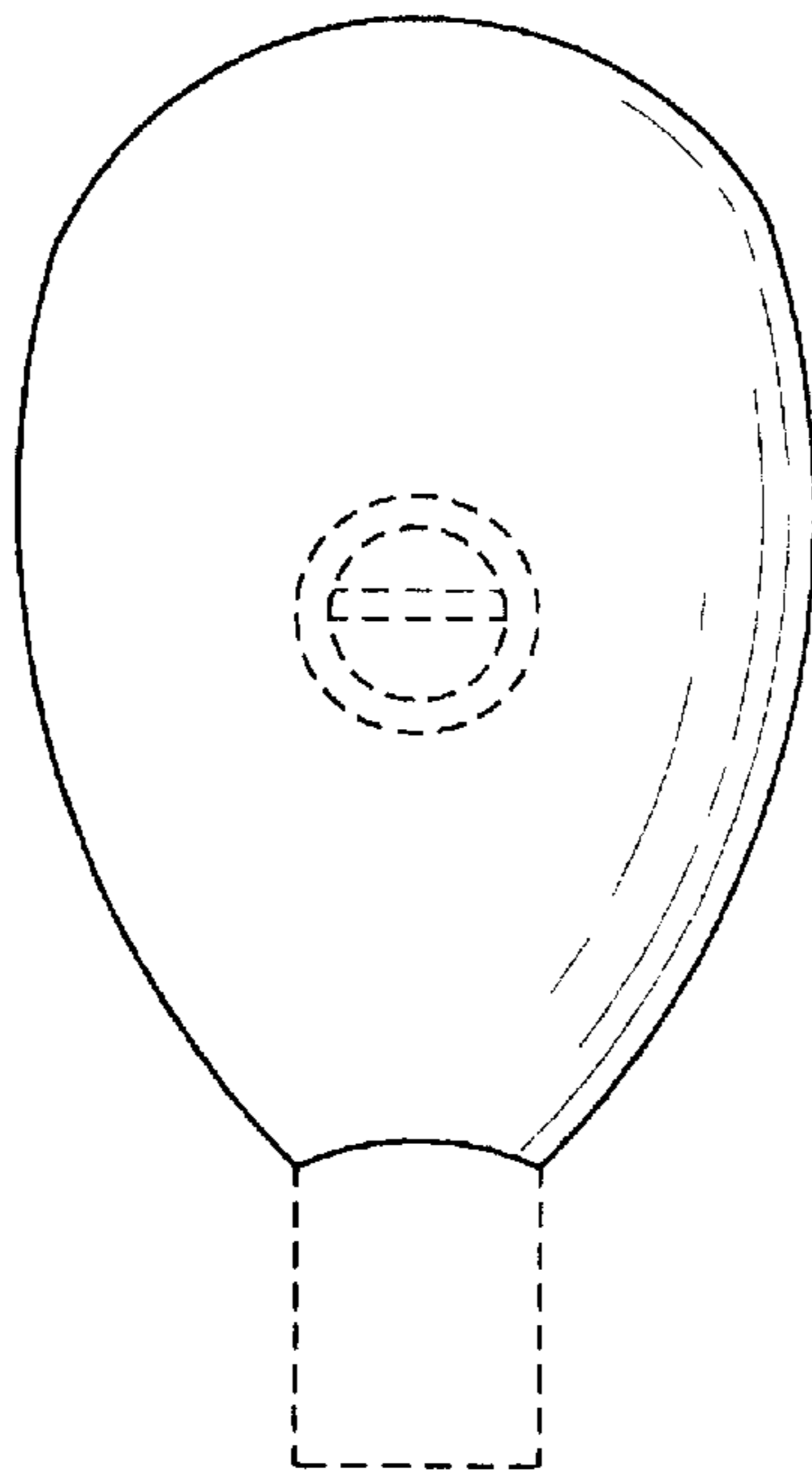
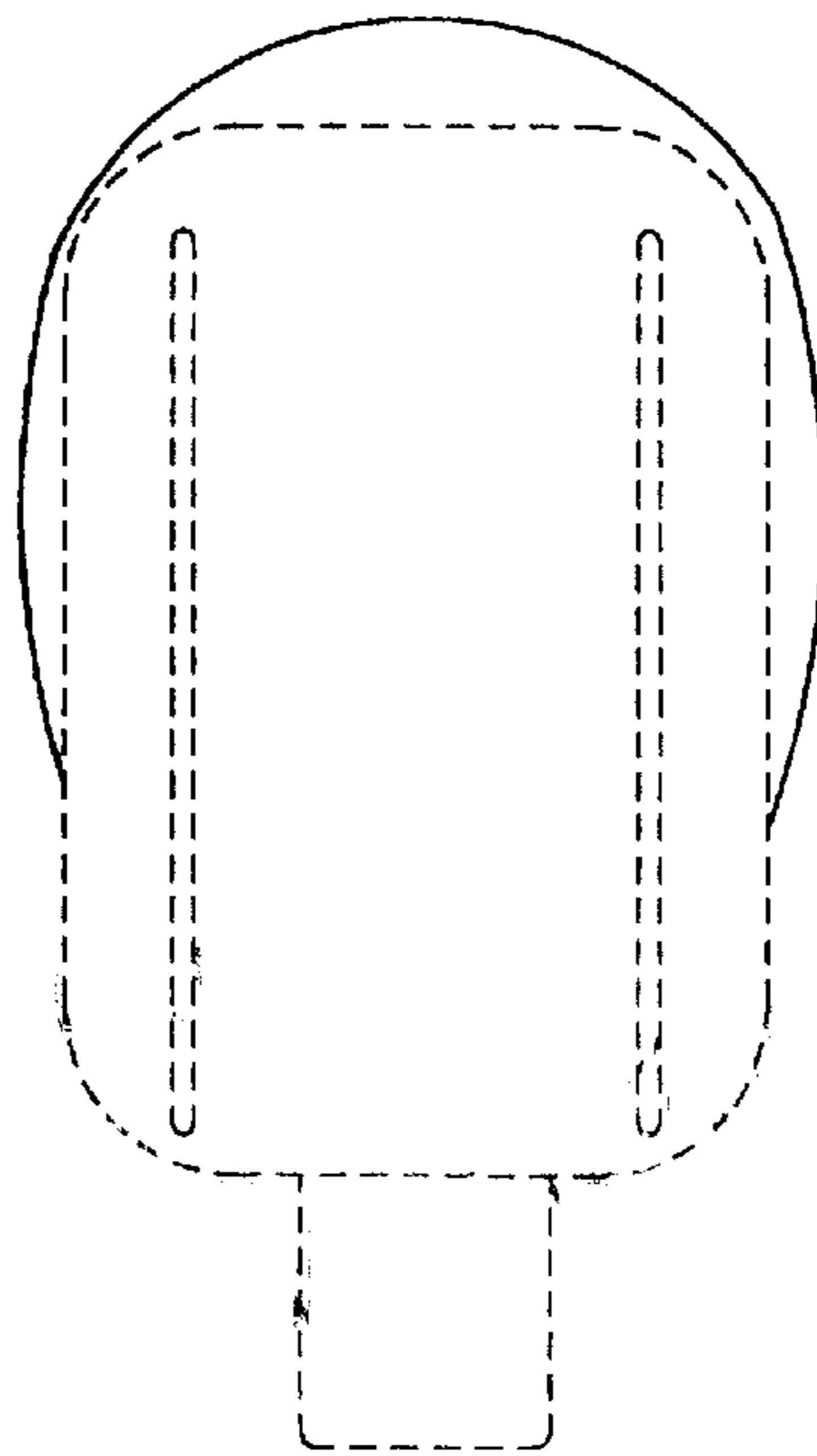


FIG. 4



*FIG. 5*



*FIG. 6*

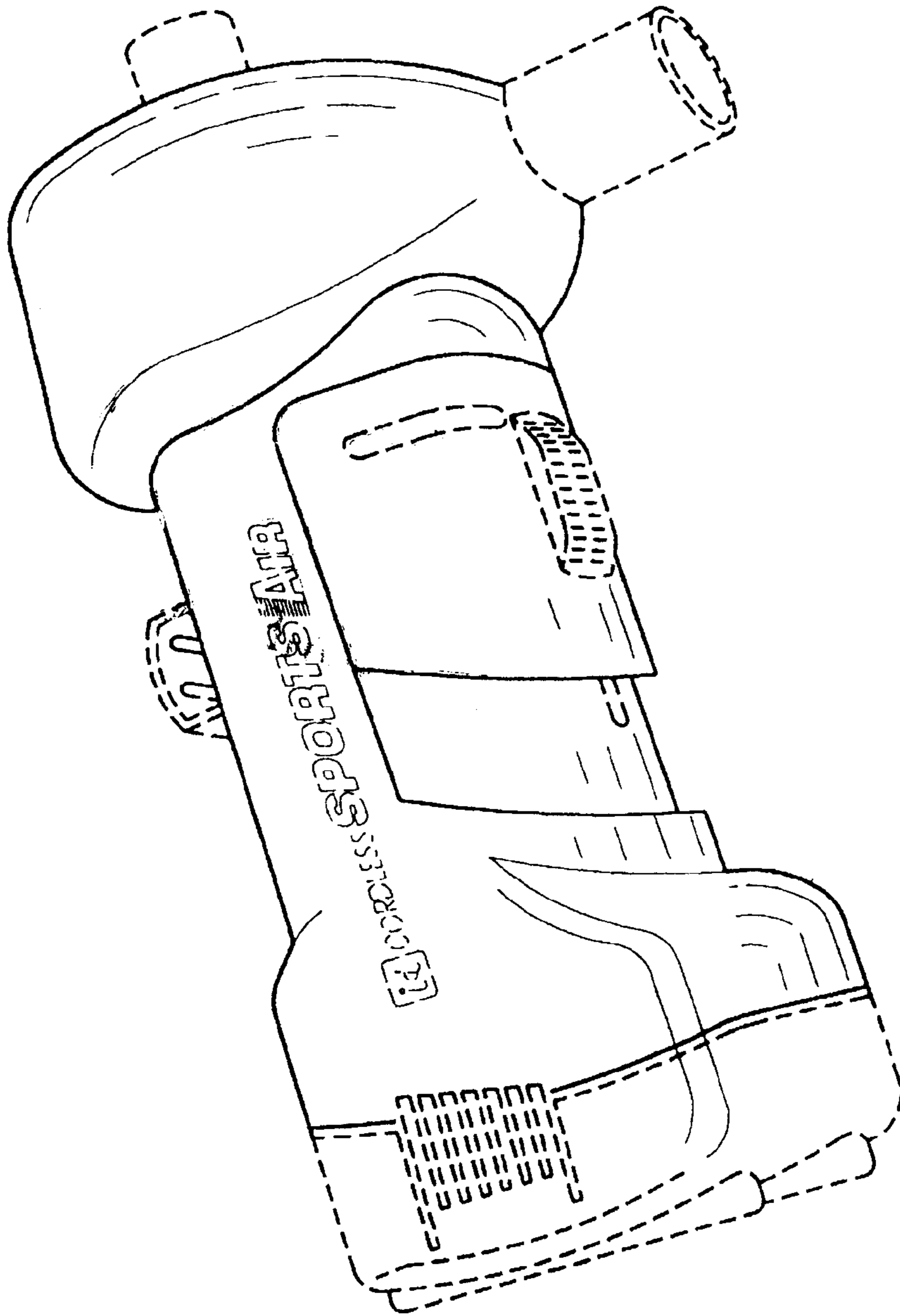


FIG. 7