



US00D470862S

(12) **United States Design Patent**  
**Kohno**

(10) **Patent No.:** **US D470,862 S**

(45) **Date of Patent:** **\*\* Feb. 25, 2003**

(54) **DRIVE PLATE**

D443,880 S \* 6/2001 Iida ..... D15/5

(75) **Inventor:** **Takashi Kohno**, Shizuoka-ken (JP)

\* cited by examiner

(73) **Assignee:** **Fujikiko Kabushiki Kaisha** (JP)

*Primary Examiner*—Melody N. Brown

(\*\*) **Term:** **14 Years**

(74) *Attorney, Agent, or Firm*—Saidman DesignLaw Group

(21) **Appl. No.:** **29/161,105**

(22) **Filed:** **May 22, 2002**

(51) **LOC (7) Cl.** ..... **15-01**

(52) **U.S. Cl.** ..... **D15/5**

(58) **Field of Search** ..... D15/1-5, 148;  
74/606 R, 820

(57) **CLAIM**

The ornamental design for a drive plate, as shown and described.

**DESCRIPTION**

FIG. 1 is a perspective view of the drive plate;  
FIG. 2 is a front view thereof;  
FIG. 3 is a sectional view thereof taken at line III—III;  
FIG. 4 is a top plan view thereof;  
FIG. 5 is a rear view thereof;  
FIG. 6 is a left side view thereof;  
FIG. 7 is a right side view thereof; and,  
FIG. 8 is a bottom view thereof.

(56) **References Cited**

**U.S. PATENT DOCUMENTS**

- D373,368 S \* 9/1996 Matsui et al. .... D15/5
- D373,369 S \* 9/1996 Matsui et al. .... D15/5
- D402,995 S \* 12/1998 Hakamata ..... D15/5
- D402,996 S \* 12/1998 Watanabe ..... D15/5

**1 Claim, 3 Drawing Sheets**

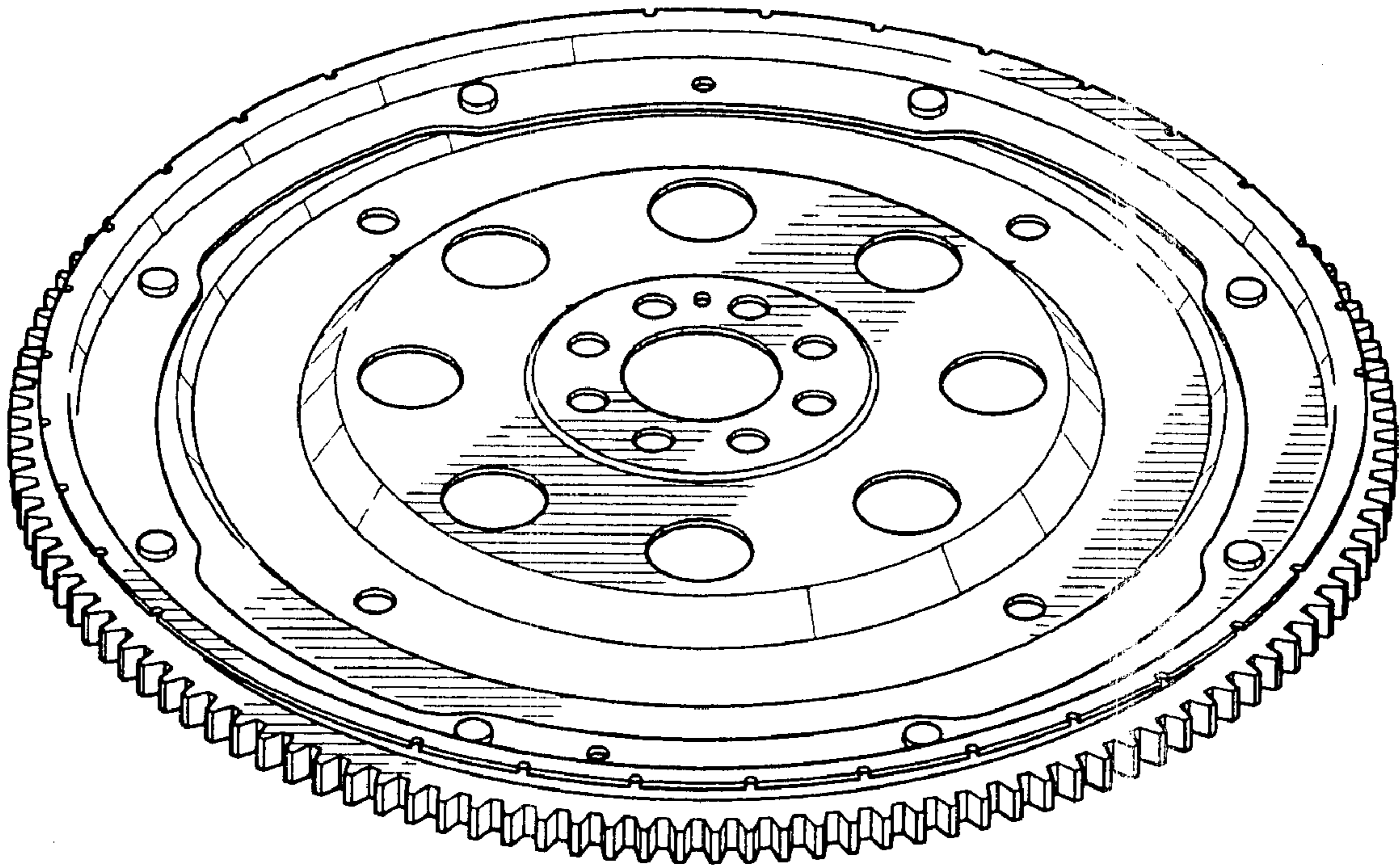


FIG. 1

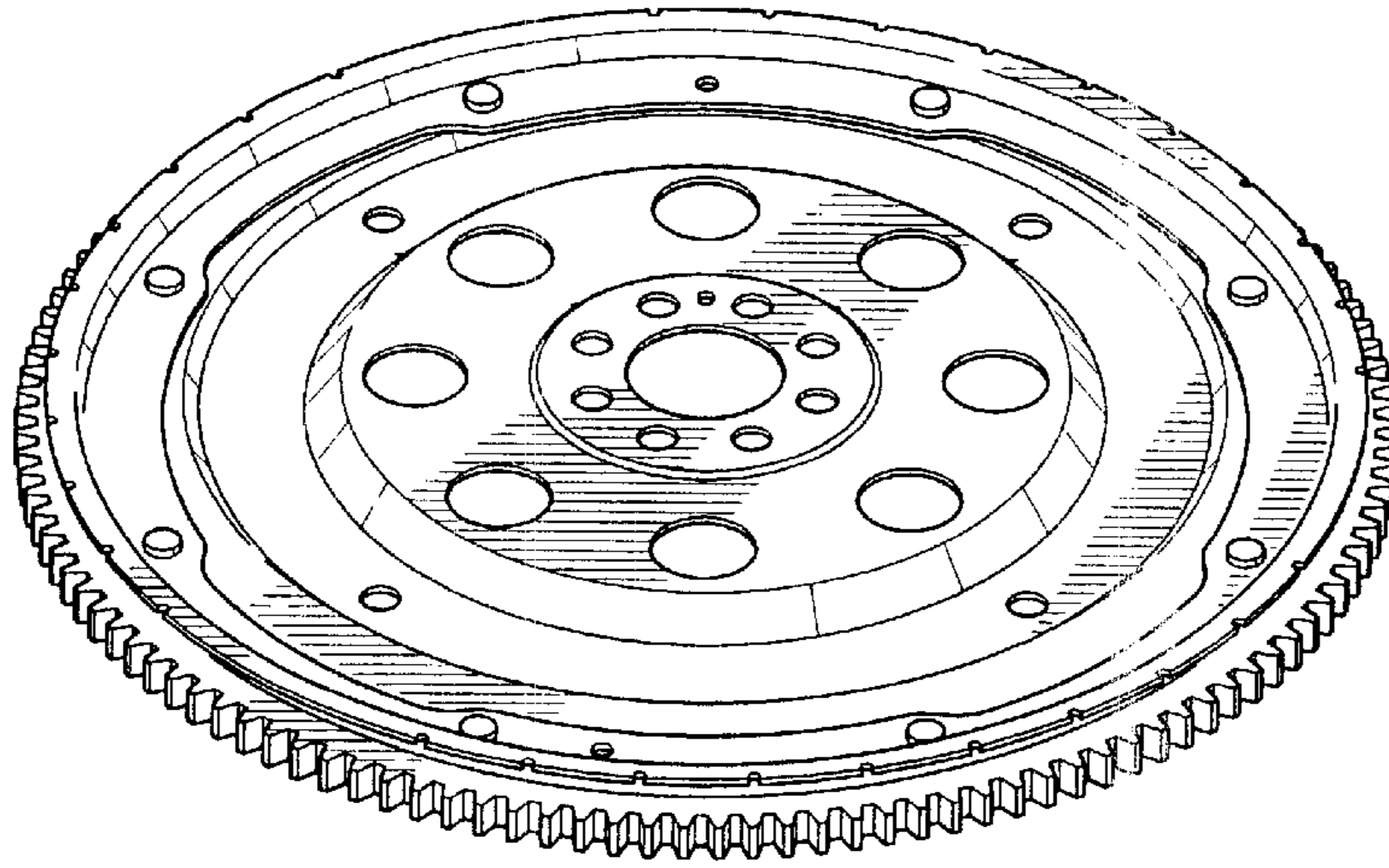


FIG. 2

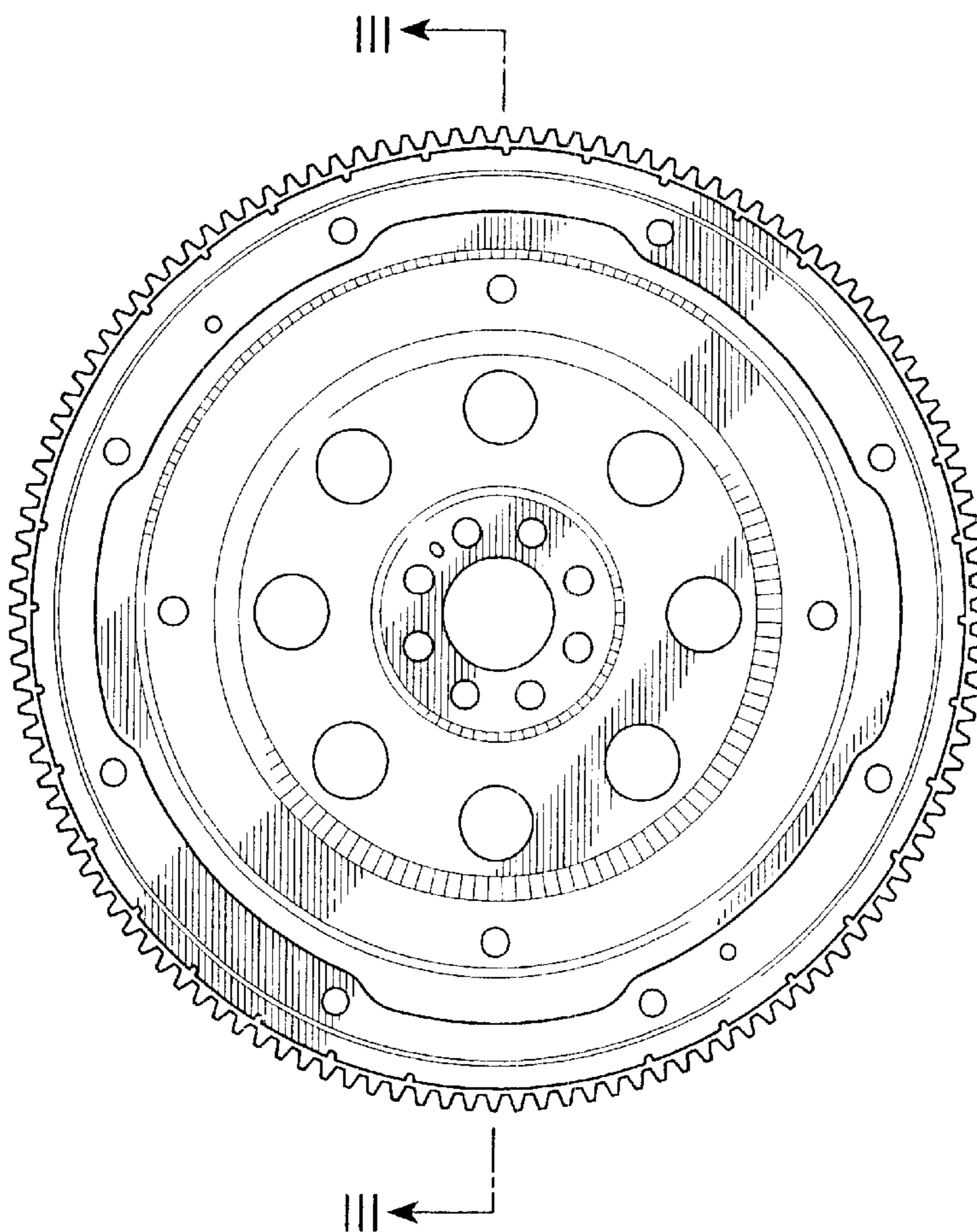


FIG. 3

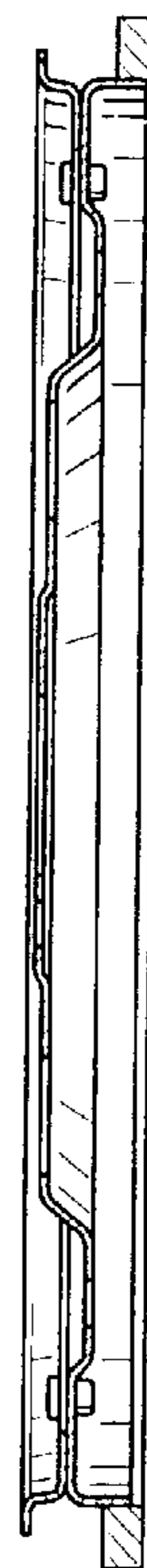


FIG. 4



FIG. 5

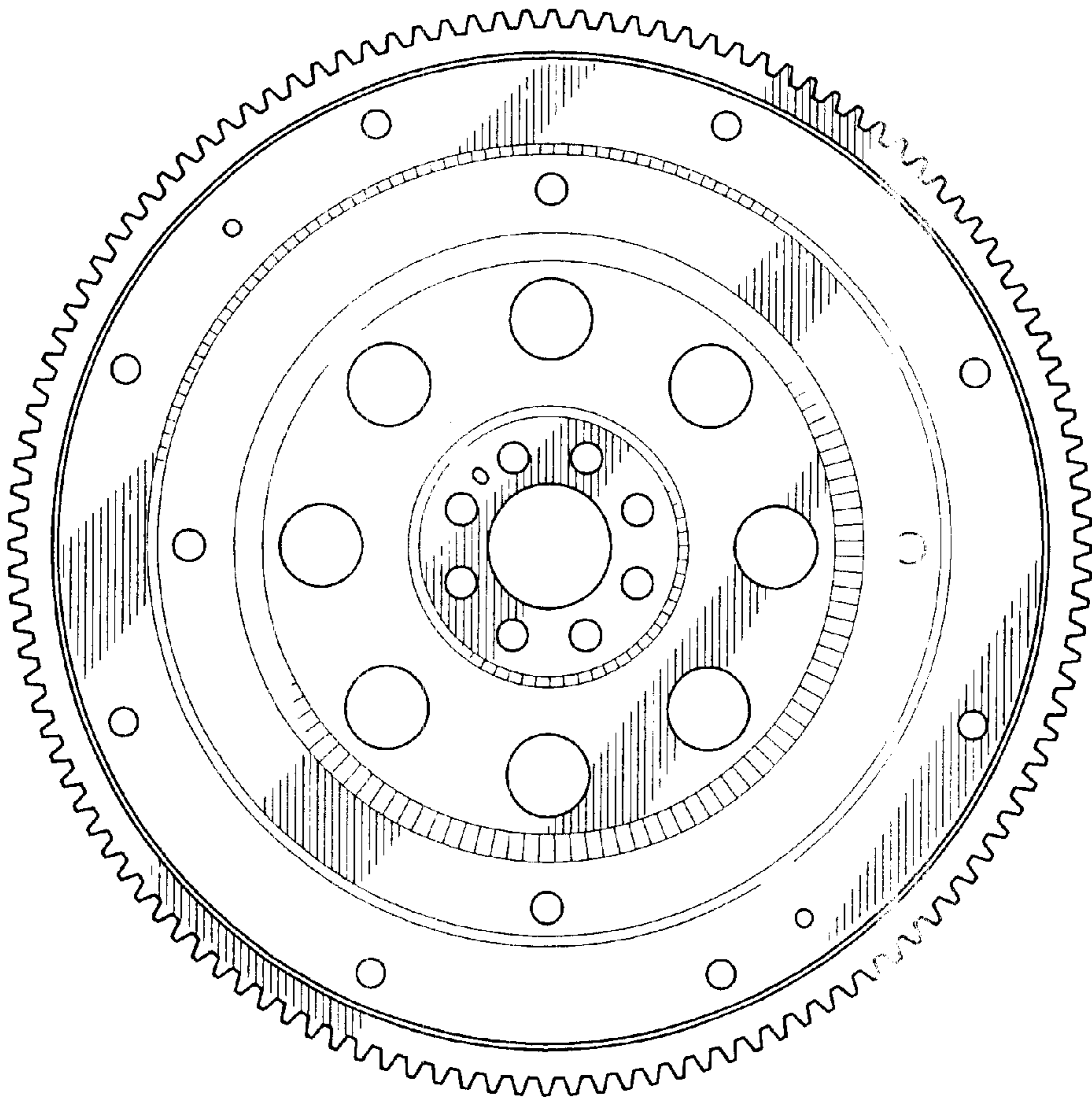


FIG. 6

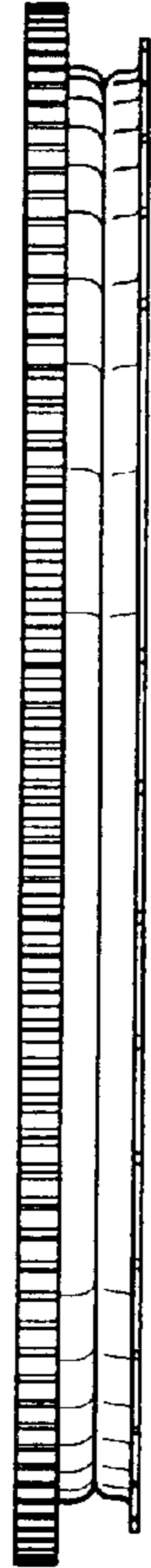


FIG. 7

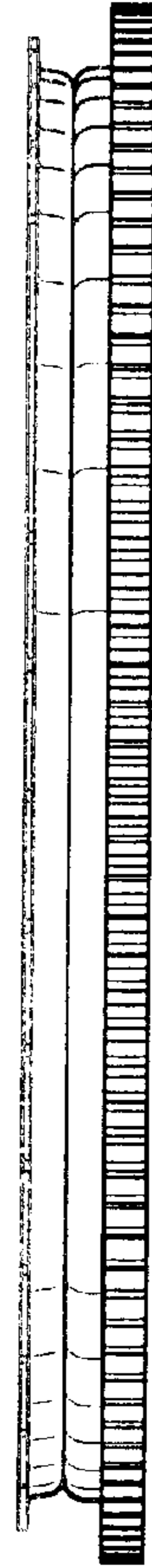


FIG. 8

