



US00D470861S

(12) **United States Design Patent**
Kohno

(10) **Patent No.:** **US D470,861 S**

(45) **Date of Patent:** **** Feb. 25, 2003**

(54) **DRIVE PLATE**

D443,880 S * 6/2001 Lida D15/5

(75) Inventor: **Takashi Kohno**, Shizuoka-ken (JP)

* cited by examiner

(73) Assignee: **Fujikiko Kabushiki Kaisha** (JP)

Primary Examiner—Melody N. Brown

(**) Term: **14 Years**

(74) *Attorney, Agent, or Firm*—Saidman DesignLaw Group

(21) Appl. No.: **29/161,102**

(22) Filed: **May 22, 2002**

(51) **LOC (7) Cl.** **15-01**

(52) **U.S. Cl.** **D15/5**

(58) **Field of Search** D15/1-5, 148;
74/606 R, 820

(57) **CLAIM**

The ornamental design for a drive plate, as shown and described.

DESCRIPTION

FIG. 1 is a perspective view of the drive plate;
FIG. 2 is a front view thereof;
FIG. 3 is a sectional view thereof taken at line III—III;
FIG. 4 is a top plan view thereof;
FIG. 5 is a rear view thereof;
FIG. 6 is a left side view thereof;
FIG. 7 is a right side view thereof; and,
FIG. 8 is a bottom view thereof.

(56) **References Cited**

U.S. PATENT DOCUMENTS

- D373,368 S * 9/1996 Matsui et al. D15/5
- D373,369 S * 9/1996 Matsui et al. D15/5
- D402,995 S * 12/1998 Hakamota D15/5
- D402,996 S * 12/1998 Watanabe D15/5

1 Claim, 3 Drawing Sheets

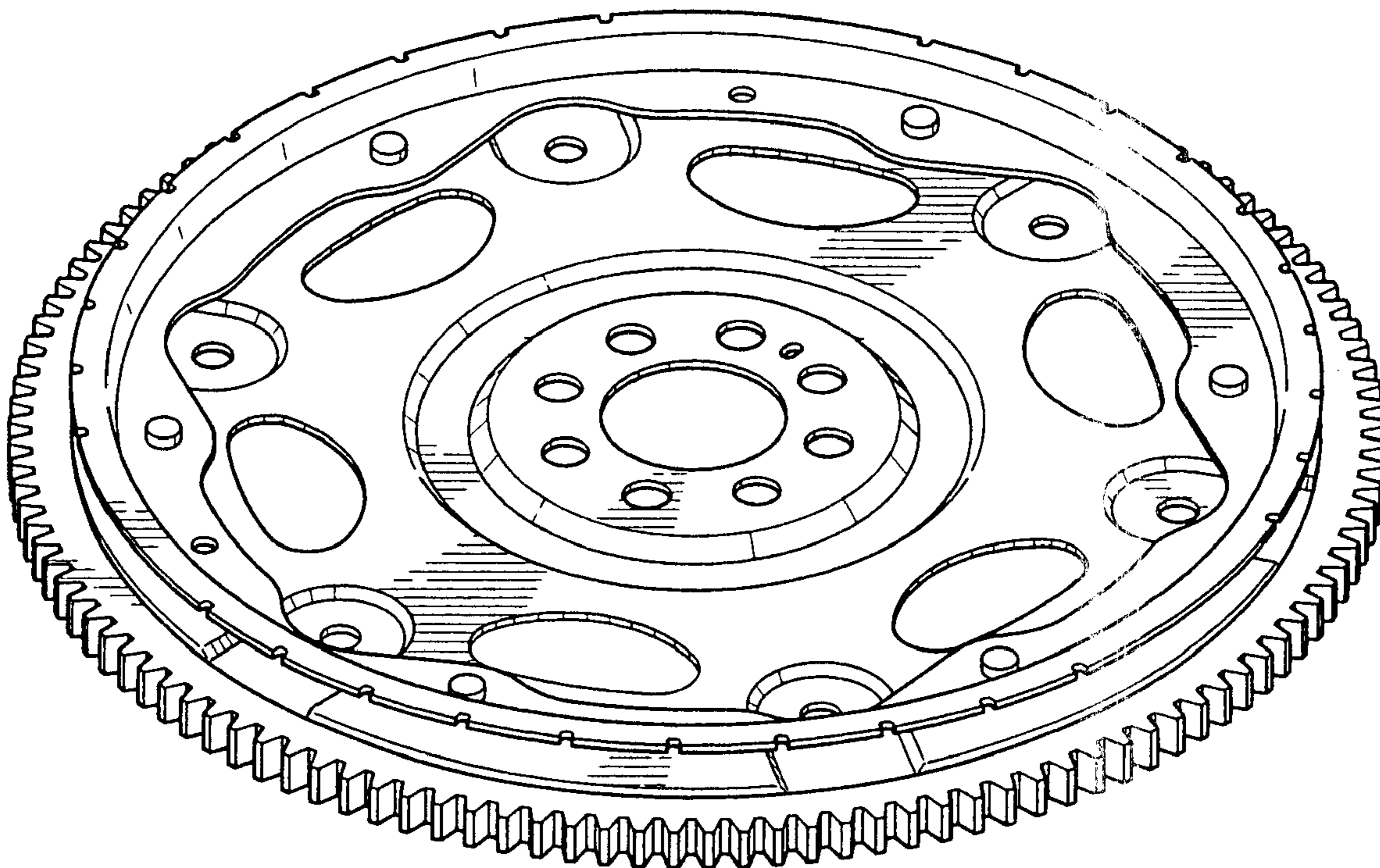


FIG. 1

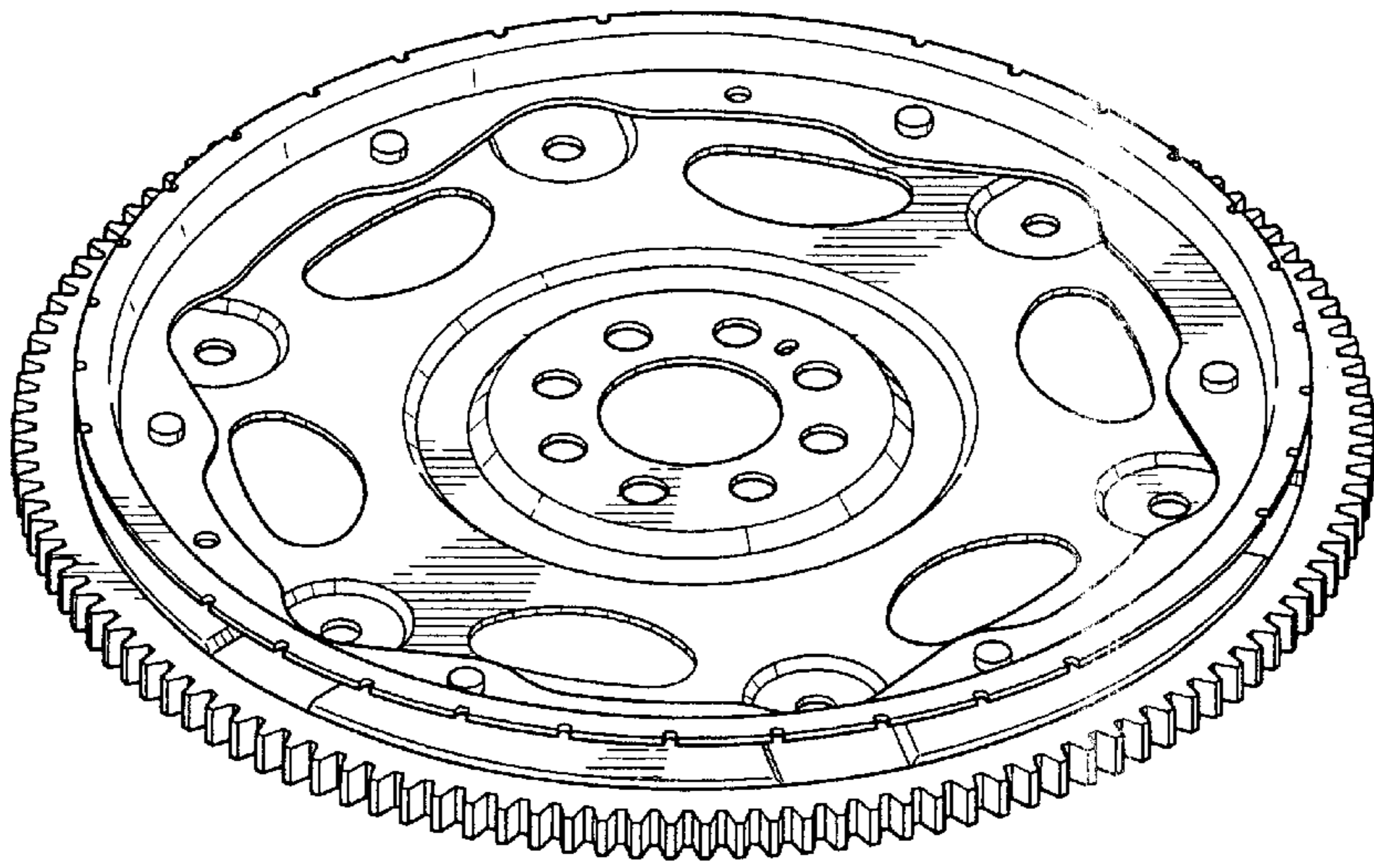


FIG. 2

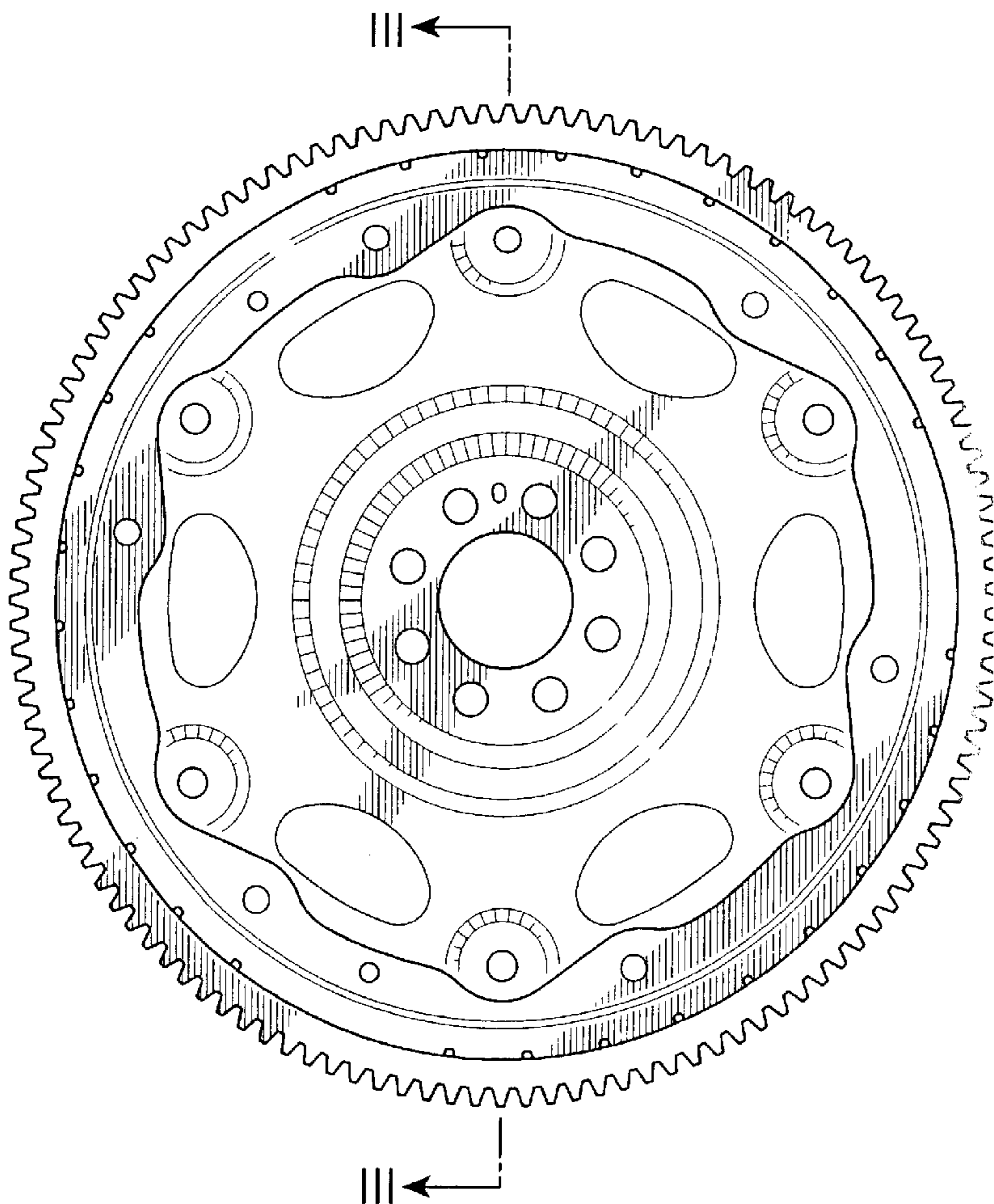


FIG. 3



FIG. 4



FIG. 5

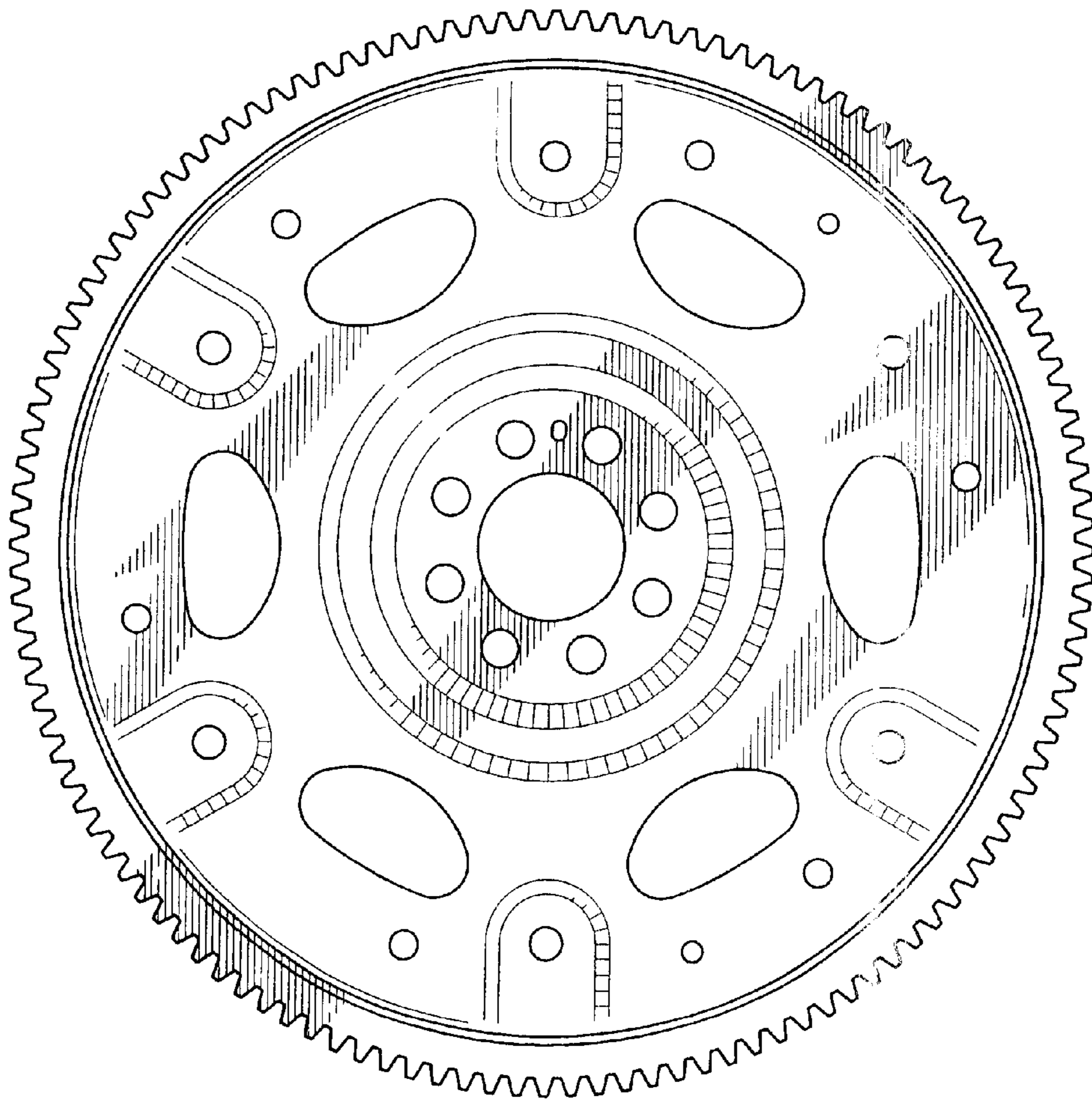


FIG. 6

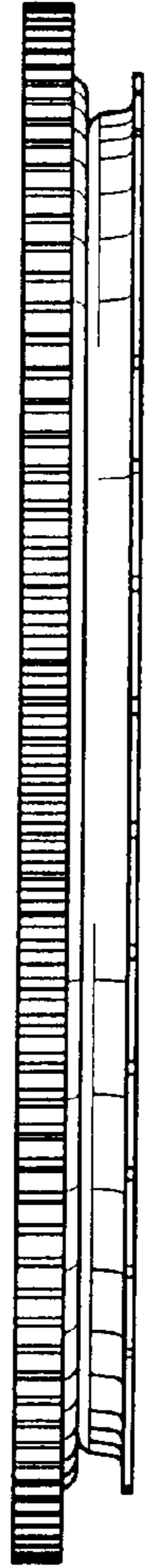


FIG. 7

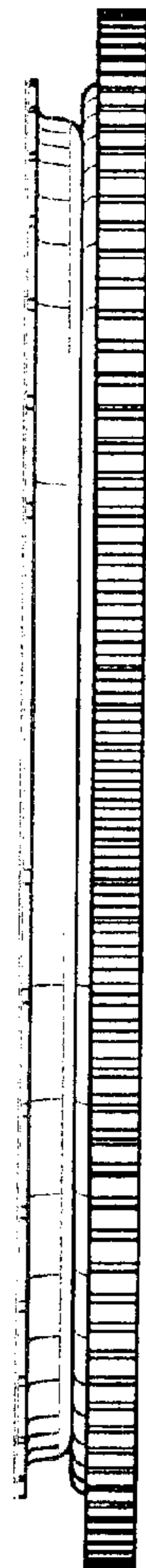


FIG. 8

