



US00D470855S

(12) **United States Design Patent**
Minagawa

(10) **Patent No.:** **US D470,855 S**

(45) **Date of Patent:** **** Feb. 25, 2003**

(54) **DRUM UNIT FOR FACSIMILE MACHINE**

(75) Inventor: **Kazuto Minagawa, Tanabe (JP)**

(73) Assignee: **Murata Kikai Kabushiki Kaisha,**
Kyoto (JP)

(**) Term: **14 Years**

(21) Appl. No.: **29/153,461**

(22) Filed: **Jan. 4, 2002**

(30) **Foreign Application Priority Data**

Aug. 13, 2001 (JP) 2001-023976

(51) **LOC (7) Cl.** **14-03**

(52) **U.S. Cl.** **D14/471**

(58) **Field of Search** D14/462, 463-471;
355/400, 401, 442, 489, 490, 471, 305

(56) **References Cited**

U.S. PATENT DOCUMENTS

4,404,598 A * 9/1983 Sculli 358/489

4,622,591 A * 11/1986 Katsuyama et al. 358/490

4,725,891 A * 2/1988 Manian 358/490

4,816,923 A * 3/1989 Saotome 358/489

5,099,342 A * 3/1992 Ziegler 358/490

6,023,348 A * 2/2000 Bose et al. 358/490

* cited by examiner

Primary Examiner—Prabhakar Deshmukh

(74) *Attorney, Agent, or Firm*—Hogan & Hartson, LLP

(57) **CLAIM**

The ornamental design for a drum unit for facsimile machine, as shown.

DESCRIPTION

FIG. 1 is a front view of a drum unit for facsimile machine, showing my new design;

FIG. 2 is a rear view thereof;

FIG. 3 is a plan view thereof;

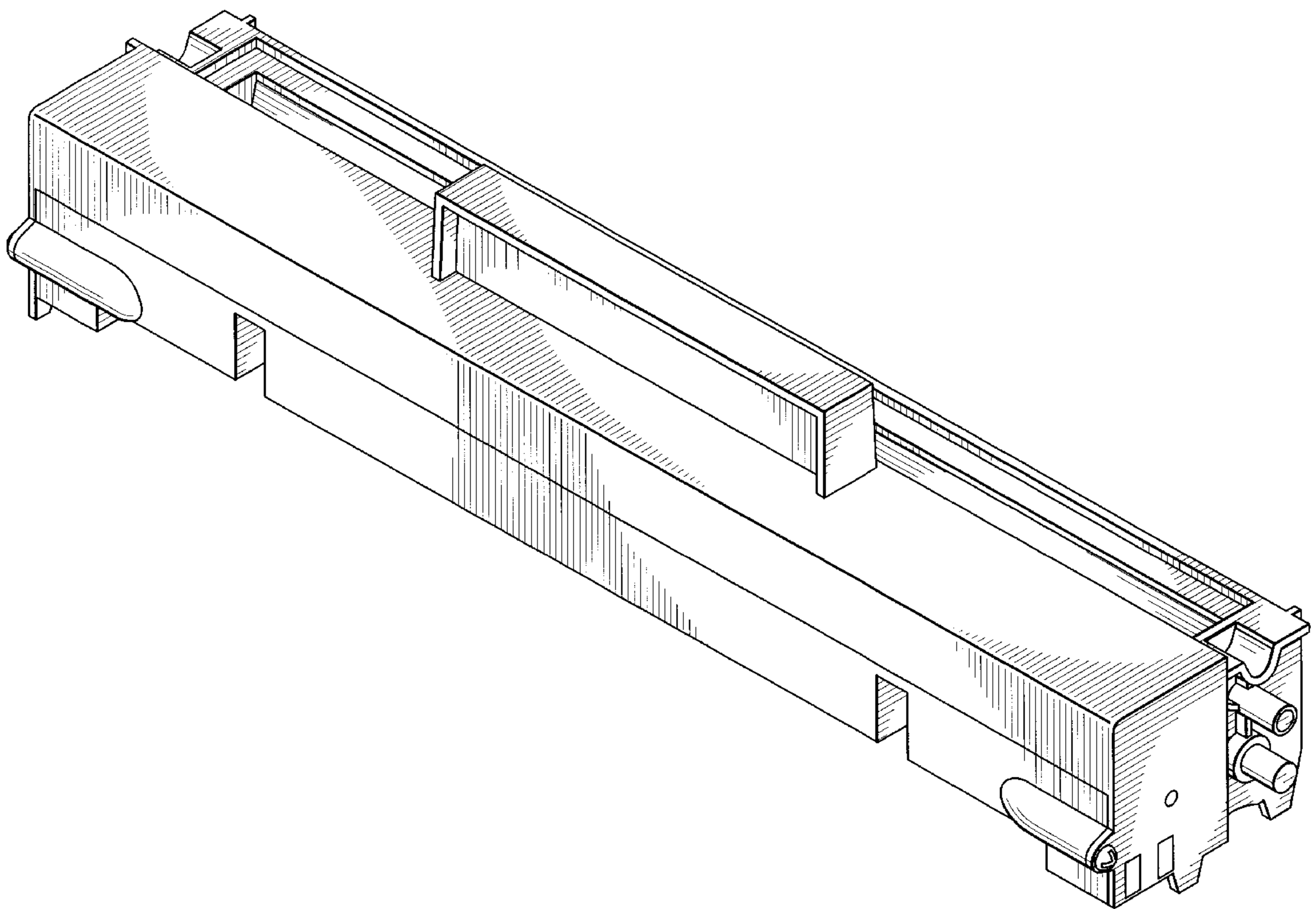
FIG. 4 is a right side view thereof;

FIG. 5 is a left side view thereof;

FIG. 6 is a bottom view thereof; and,

FIG. 7 is a perspective view.

1 Claim, 6 Drawing Sheets



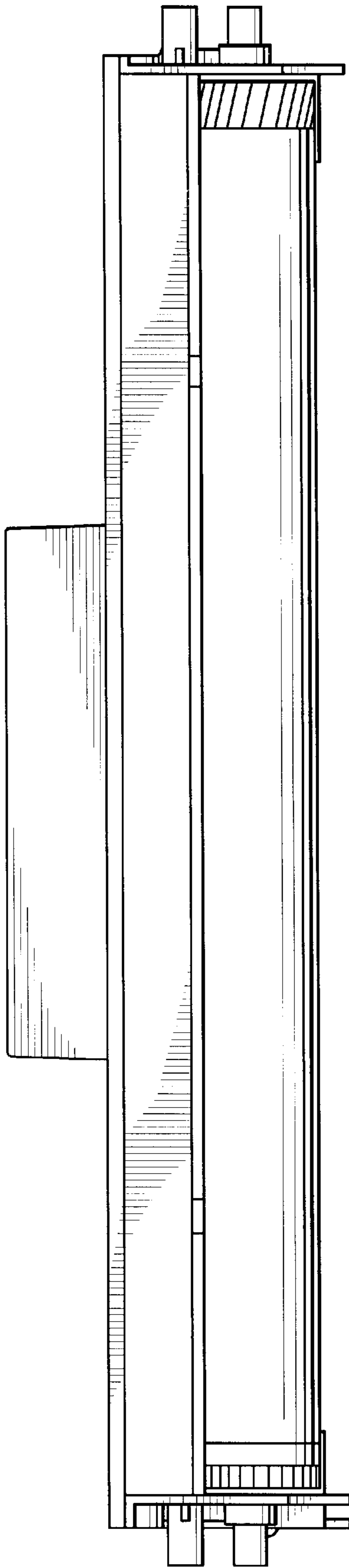


FIG. 1

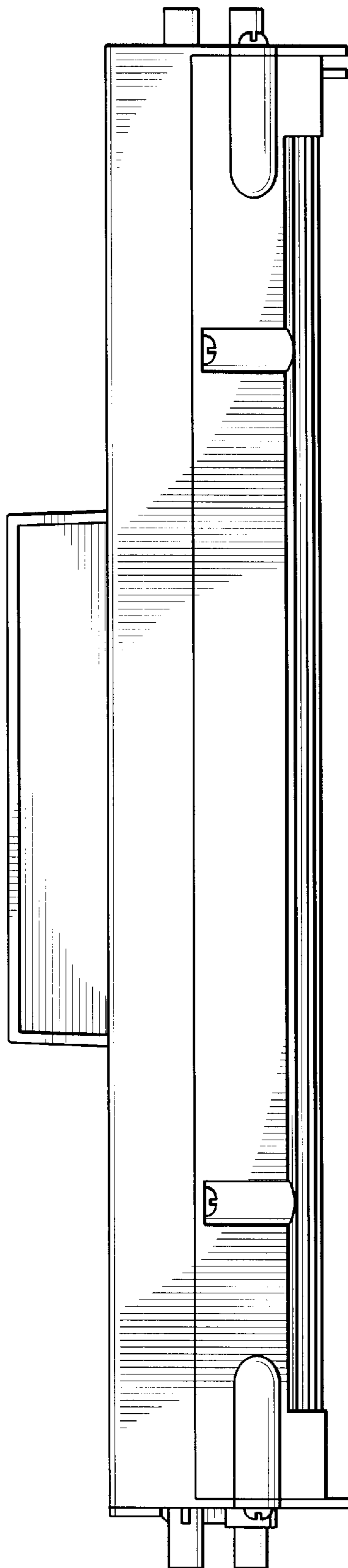


FIG. 2

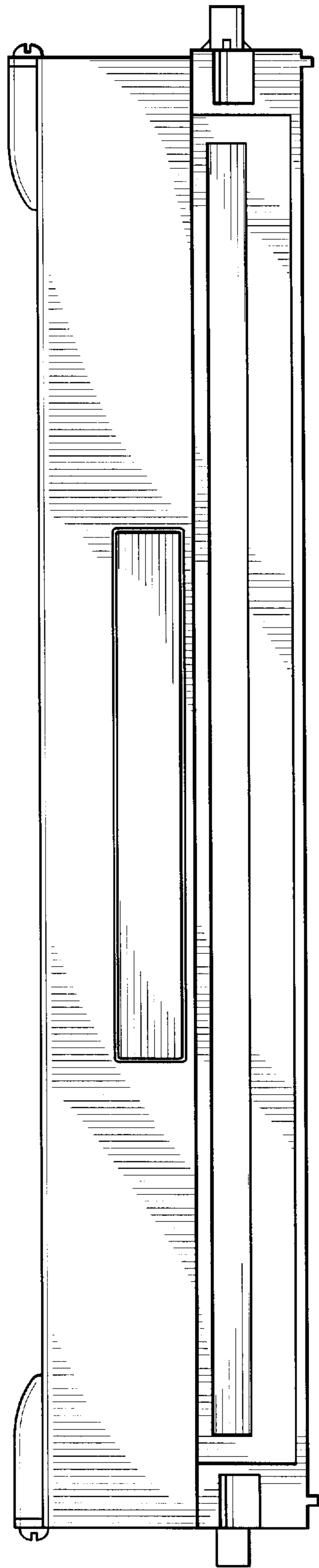


FIG. 3

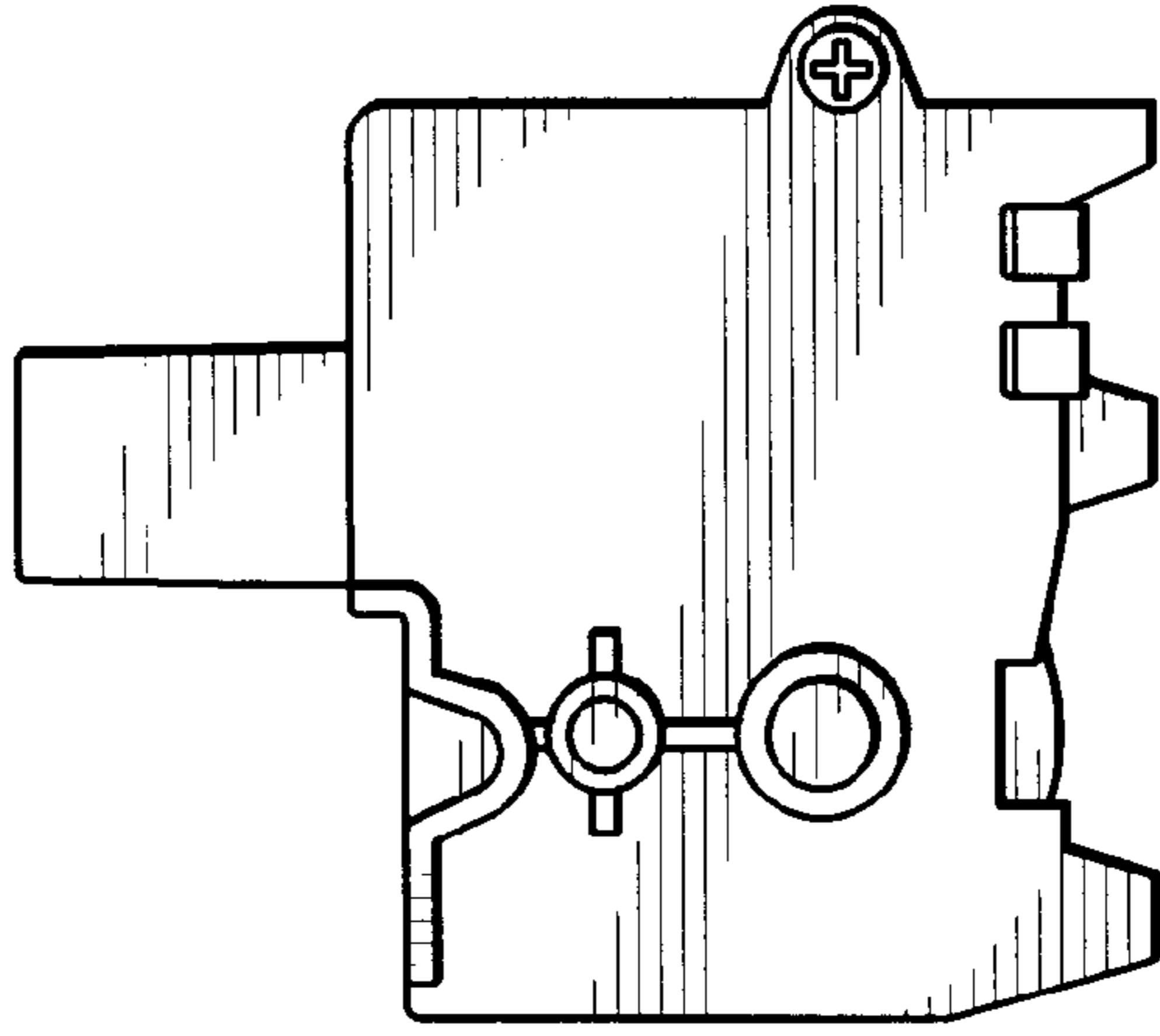


FIG. 4

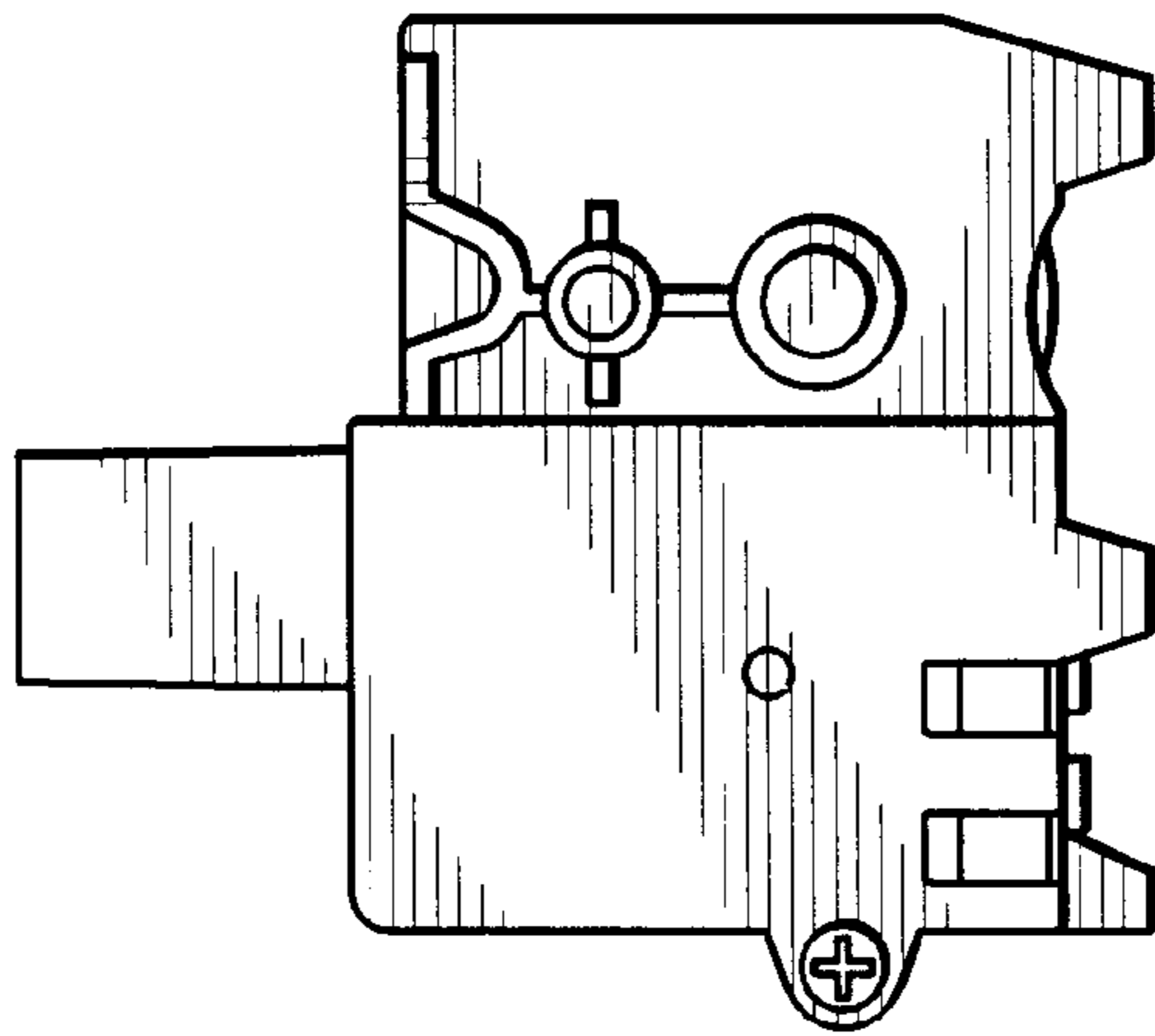


FIG. 5

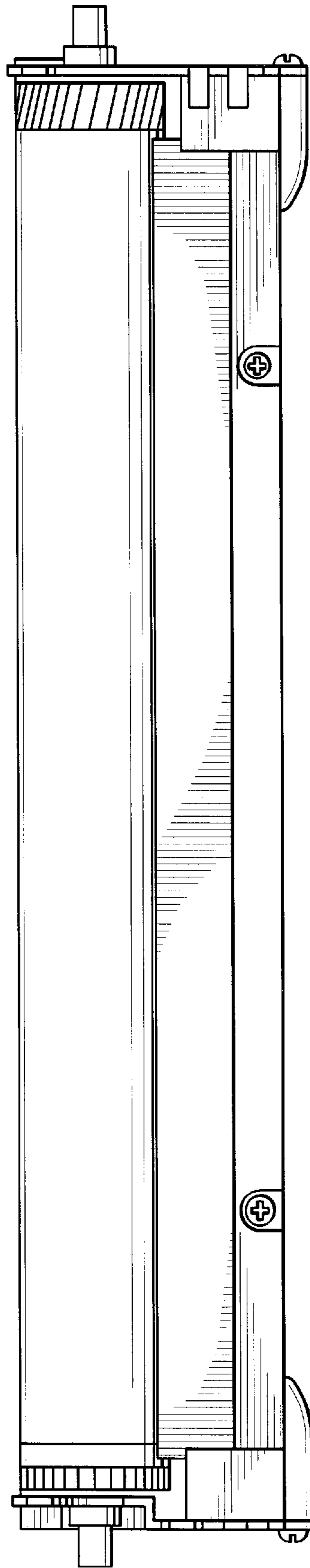


FIG. 6

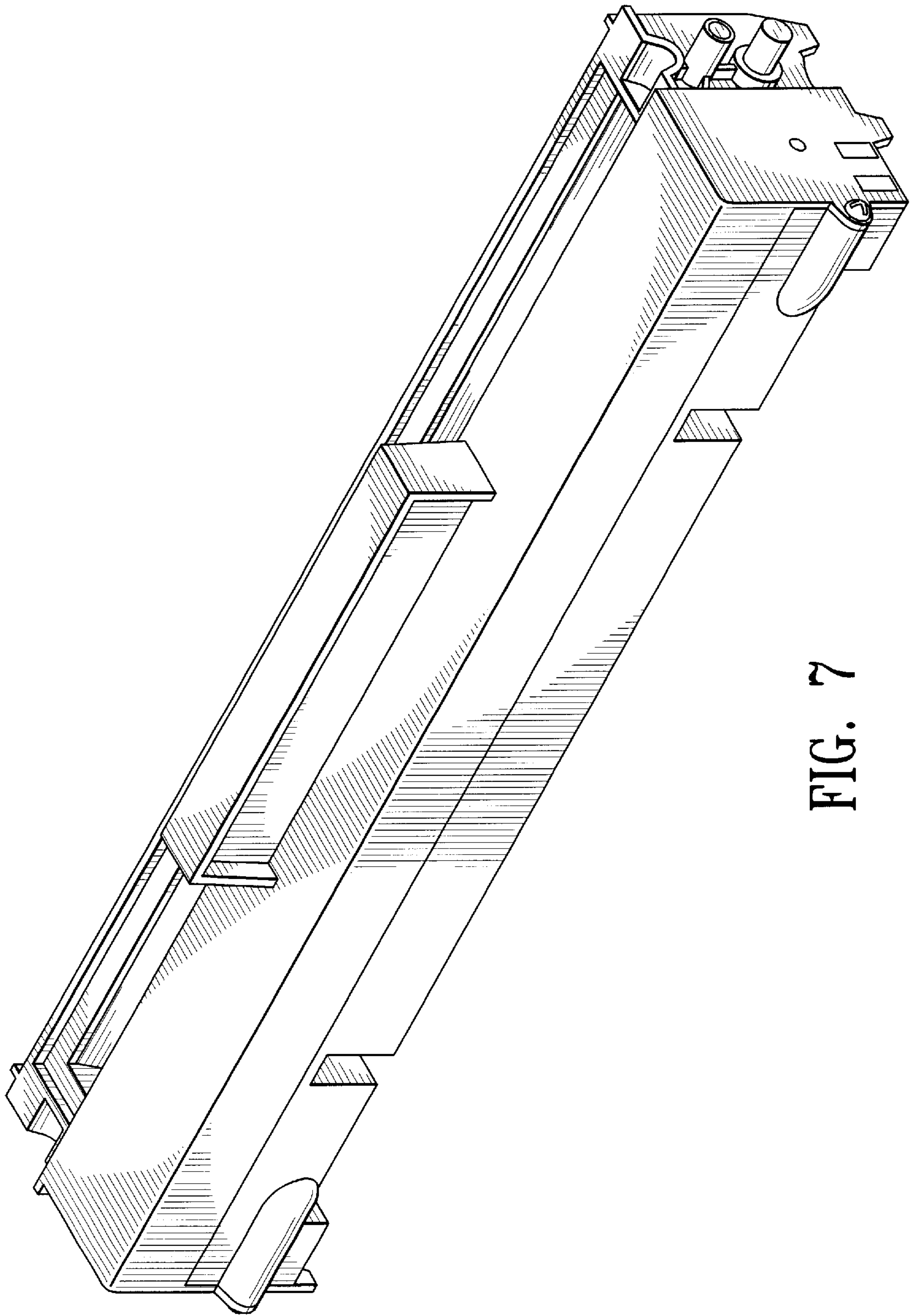


FIG. 7