



US00D470854S

(12) **United States Design Patent**
Jones et al.

(10) **Patent No.:** **US D470,854 S**

(45) **Date of Patent:** **** Feb. 25, 2003**

(54) **KEY CONFIGURATION FOR A KEYBOARD**

(75) Inventors: **Gregory G. Jones**, Seattle, WA (US);
Carl J. Ledbetter, Lynnwood, WA (US)

(73) Assignee: **Microsoft Corporation**, Redmond, WA (US)

(**) Term: **14 Years**

(21) Appl. No.: **29/160,822**

(22) Filed: **May 17, 2002**

(51) **LOC (7) Cl.** **14-02**

(52) **U.S. Cl.** **D14/456; D14/455**

(58) **Field of Search** D14/391-399,
D14/455, 456; D18/1, 2, 7; 178/17 A, 17 C;
235/145 A, 145 R; 200/5 R, 5 A, 6 R, 6 A;
345/160, 168; 341/22, 23; 364/708.1

(56) **References Cited**

U.S. PATENT DOCUMENTS

5,021,771 A	6/1991	Lachman	
D408,371 S	4/1999	Fung	
D429,726 S	8/2000	Kuo	
D458,607 S	* 6/2002	Tritschler et al. D14/398

OTHER PUBLICATIONS

Advertisement for Logitech Internet Navigator™ Keyboard (www.logitech.com), date unknown but before May 17, 2002.

Advertisement for Logitech Cordless Freedom™ iTouch™ Keyboard (www.logitech.com), date unknown but before May 17, 2002.

Advertisement for Logitech Cordless Freedom™ Optical Keyboard (www.logitech.com), date unknown but before May 17, 2002.

Advertisement for Logitech Elite™ Keyboard (www.logitech.com), date unknown but before May 17, 2002.

* cited by examiner

Primary Examiner—Kay H. Chin

(74) *Attorney, Agent, or Firm*—Banner & Witcoff, Ltd.

(57) **CLAIM**

The ornamental design for a key configuration for a keyboard, as shown and described.

DESCRIPTION

FIG. 1 is a top view of a key configuration for a keyboard showing our new design;

FIG. 2 is a perspective view thereof;

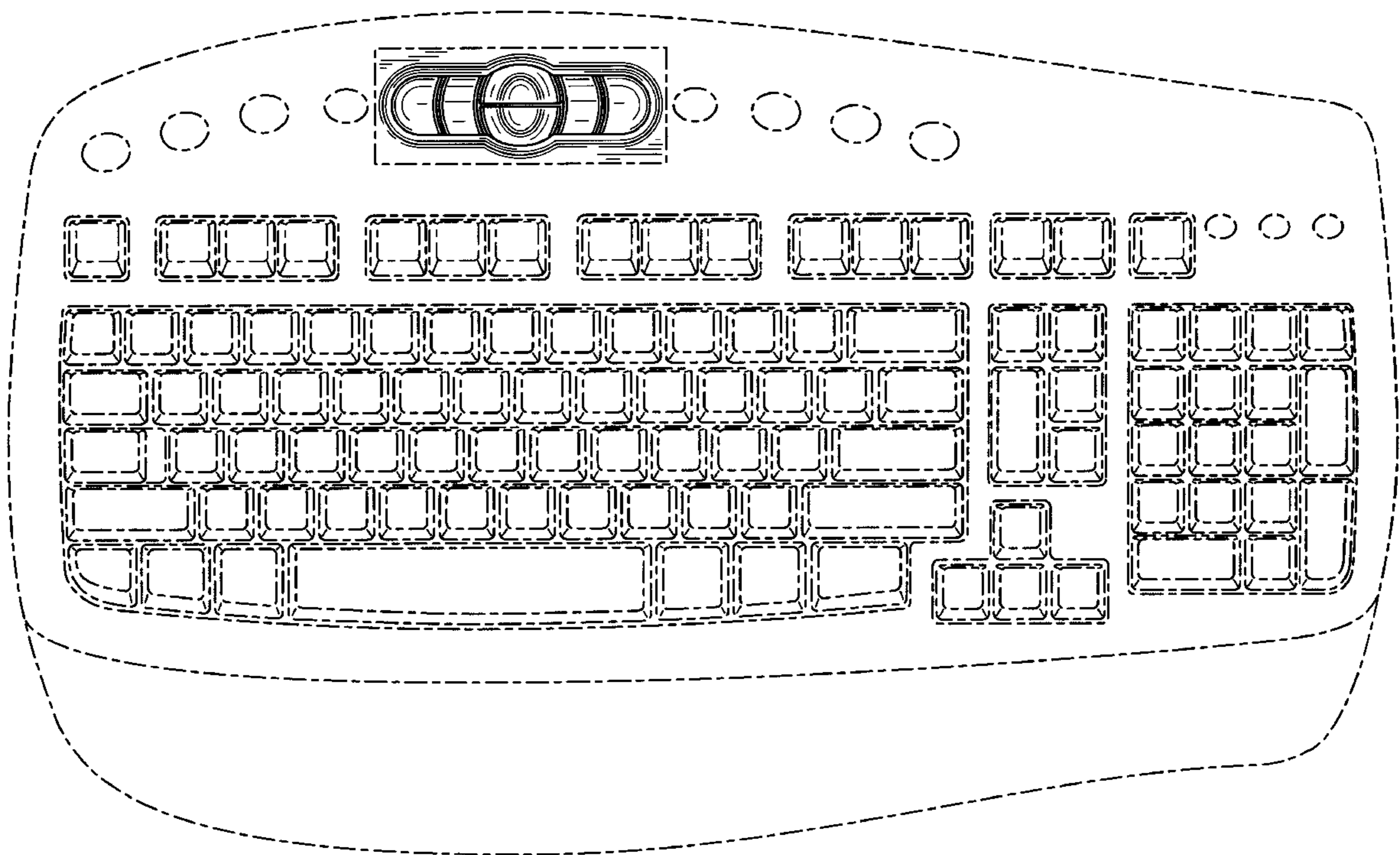
FIG. 3 is a front view thereof, the rear view being a mirror image thereof;

FIG. 4 is a right side view thereof, the left side view thereof being a mirror image thereof; and,

FIG. 5 is a top plan view similar to FIG. 1 showing the key configuration on a first exemplary keyboard.

The broken line showing of the boundary of the claimed key configuration region and the remainder of an exemplary keyboard in FIG. 5 is for illustrative purposes only and forms no part of the claimed design.

1 Claim, 2 Drawing Sheets



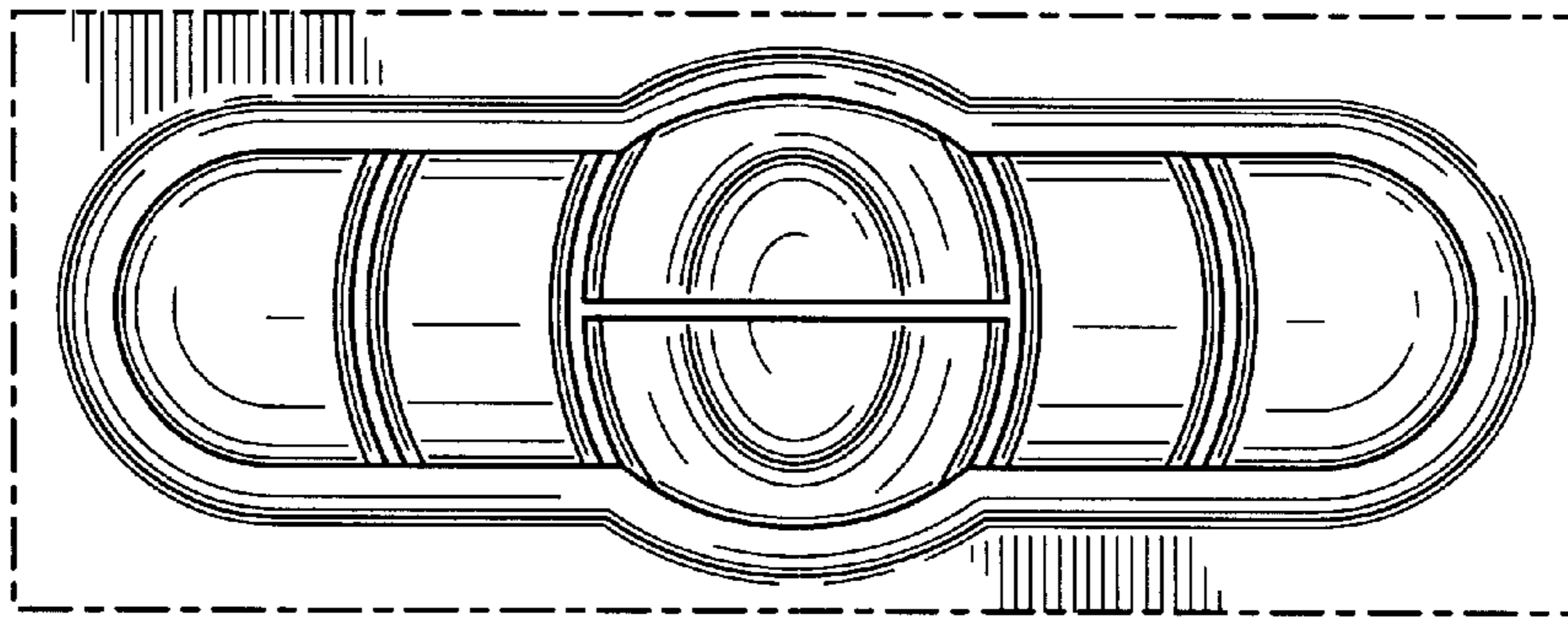


FIG. 1

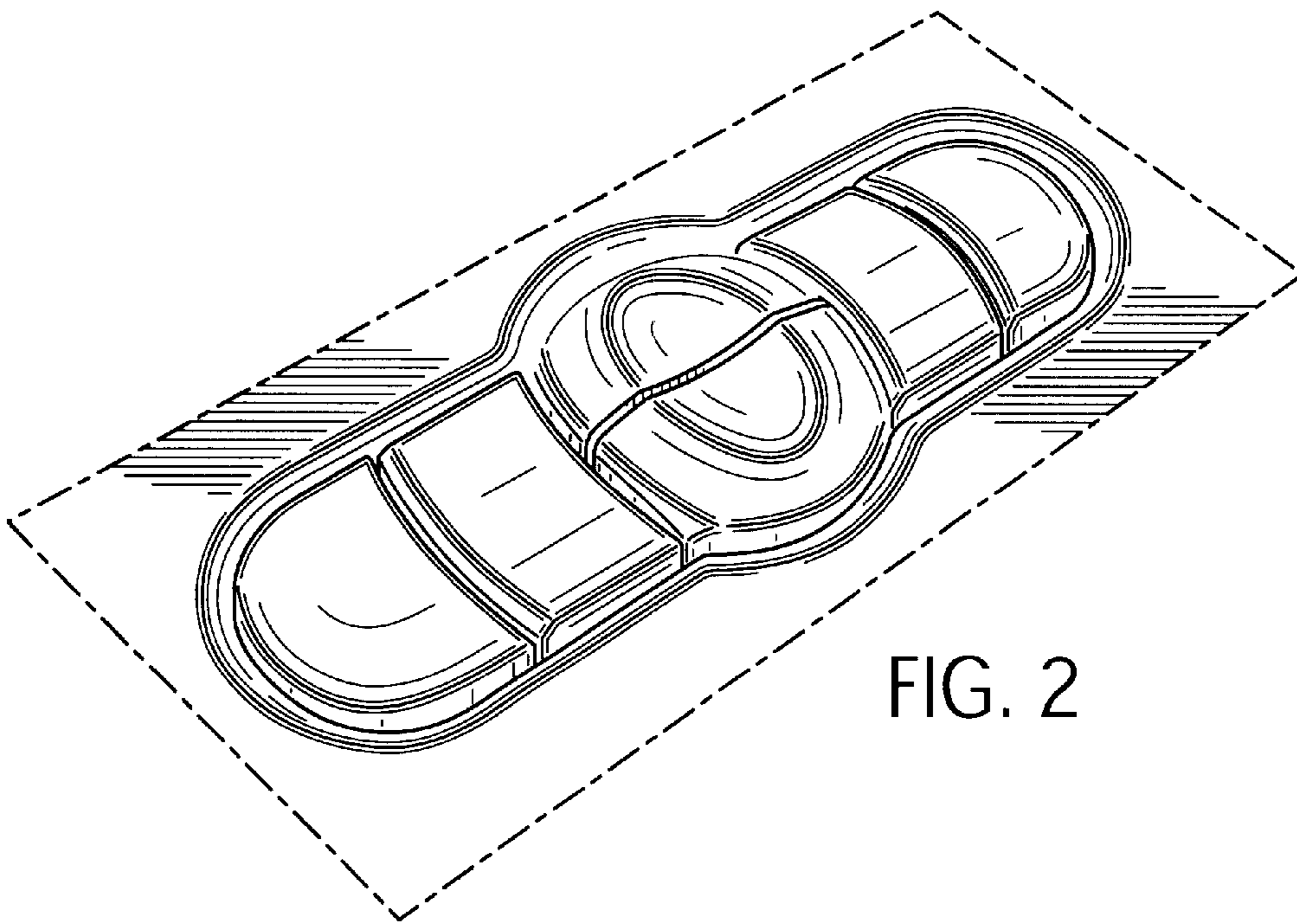


FIG. 2

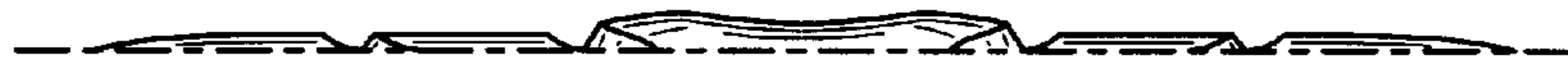


FIG. 3



FIG. 4

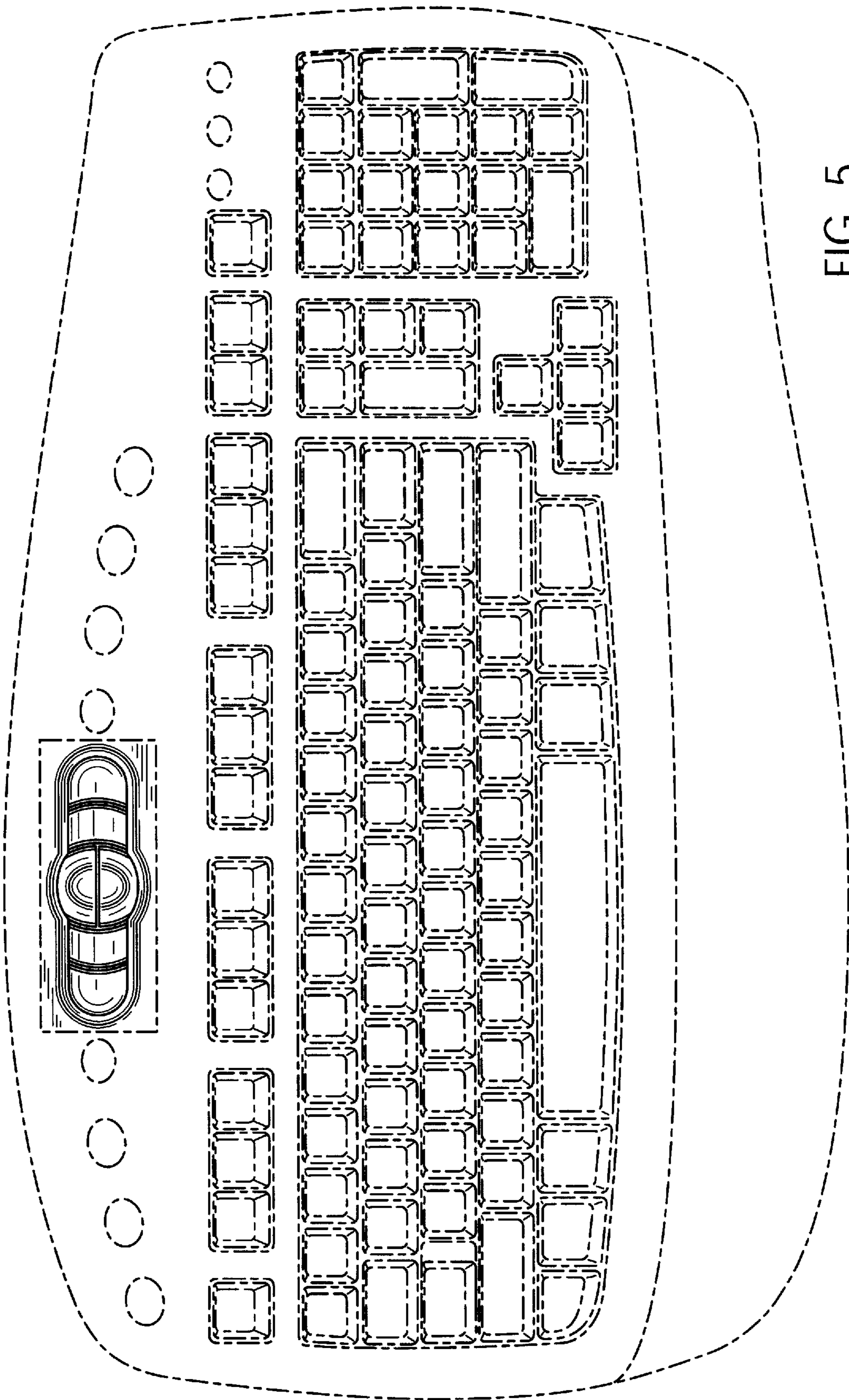


FIG. 5