



US00D470848S

(12) **United States Design Patent**
Morooka

(10) **Patent No.:** **US D470,848 S**

(45) **Date of Patent:** **** Feb. 25, 2003**

(54) **ADAPTOR FOR A DATA COMMUNICATION DEVICE**

(75) Inventor: **Takashi Morooka**, Tokyo (JP)

(73) Assignee: **Sony Corporation**, Tokyo (JP)

(**) Term: **14 Years**

(21) Appl. No.: **29/124,429**

(22) Filed: **Jun. 6, 2000**

(51) **LOC (7) Cl.** **14-02**

(52) **U.S. Cl.** **D14/433**

(58) **Field of Search** D14/432, 433;
D13/133, 146-7, 199; 361/686, 600, 728;
439/299, 300; 709/212

(56) **References Cited**

U.S. PATENT DOCUMENTS

- D363,064 S * 10/1995 Rogov
- D393,480 S * 4/1998 Komuta et al.
- 5,957,728 A * 9/1999 Wu
- D433,381 S * 11/2000 Talesfore
- D436,919 S * 1/2001 Wakefield et al.

OTHER PUBLICATIONS

<http://www.sony.co.jp/sd/ProductsPark/consumer/Peripheral/WNS/230.html>, Sony.

“The Point Network 52”, p. 32, Yodobashi Camera, Dec. 1999.

* cited by examiner

Primary Examiner—M. H. Tung

(74) *Attorney, Agent, or Firm*—Rader, Fishman & Grauer PLLC

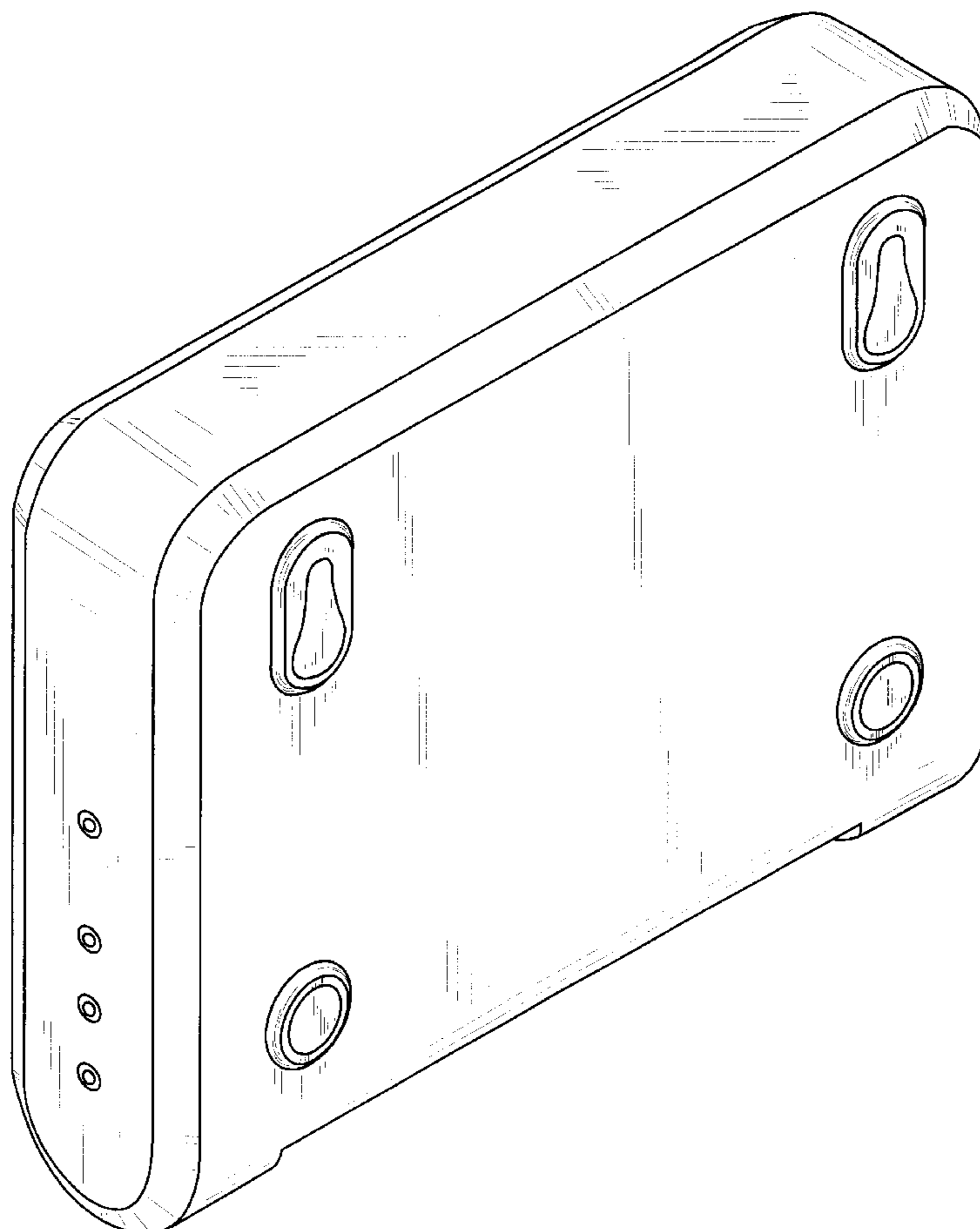
(57) **CLAIM**

The ornamental design for an adaptor for a data communication device, as shown and described.

DESCRIPTION

FIG. 1 is a perspective view of an adaptor for a data communication device showing my design;
 FIG. 2 is a top plan view thereof;
 FIG. 3 is a front elevational view thereof;
 FIG. 4 is a right side elevational view thereof;
 FIG. 5 is a left side elevational view thereof;
 FIG. 6 is a rear elevational view thereof; and,
 FIG. 7 is a bottom plan view thereof.

1 Claim, 4 Drawing Sheets



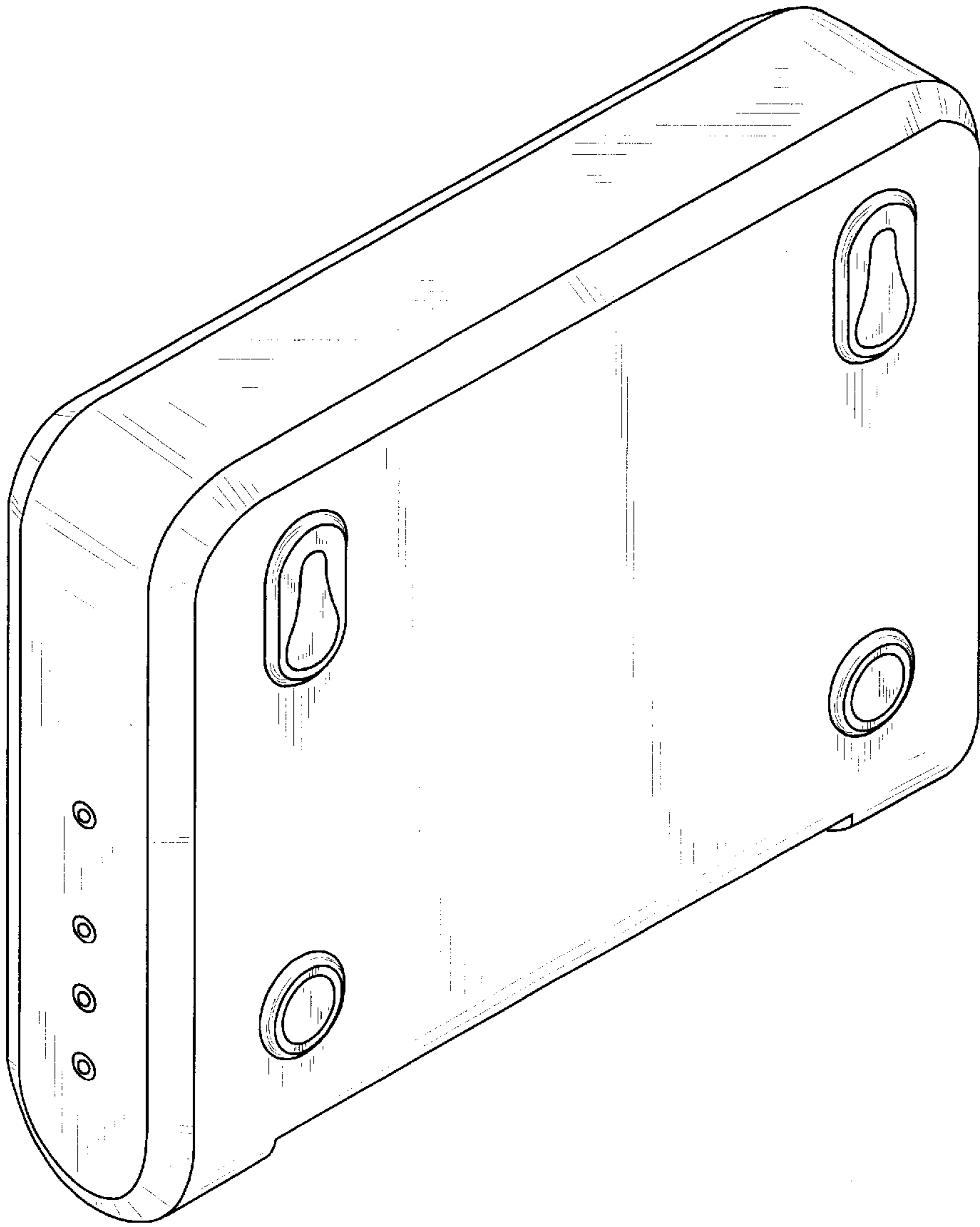


Fig. 1

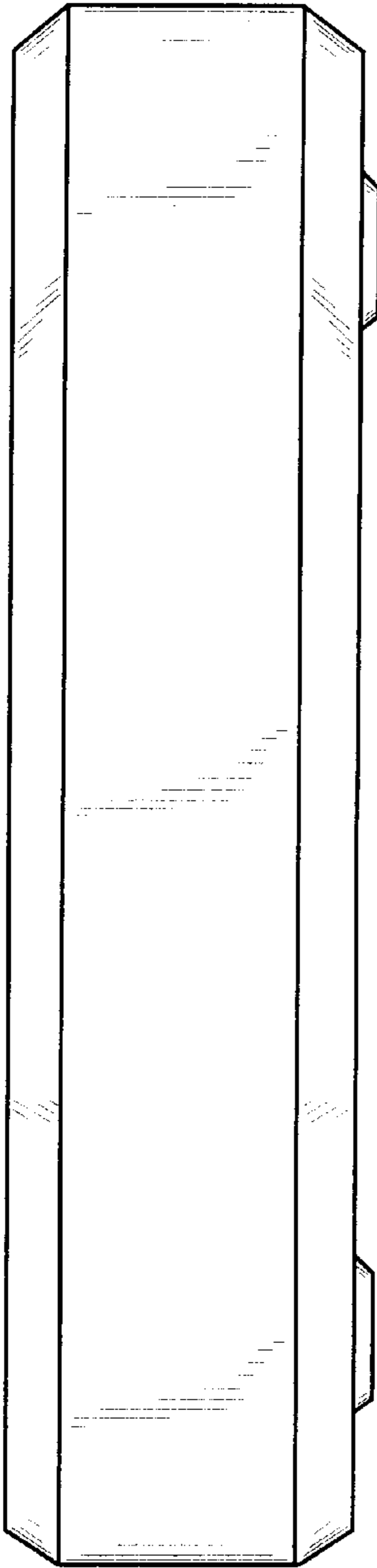


Fig. 2

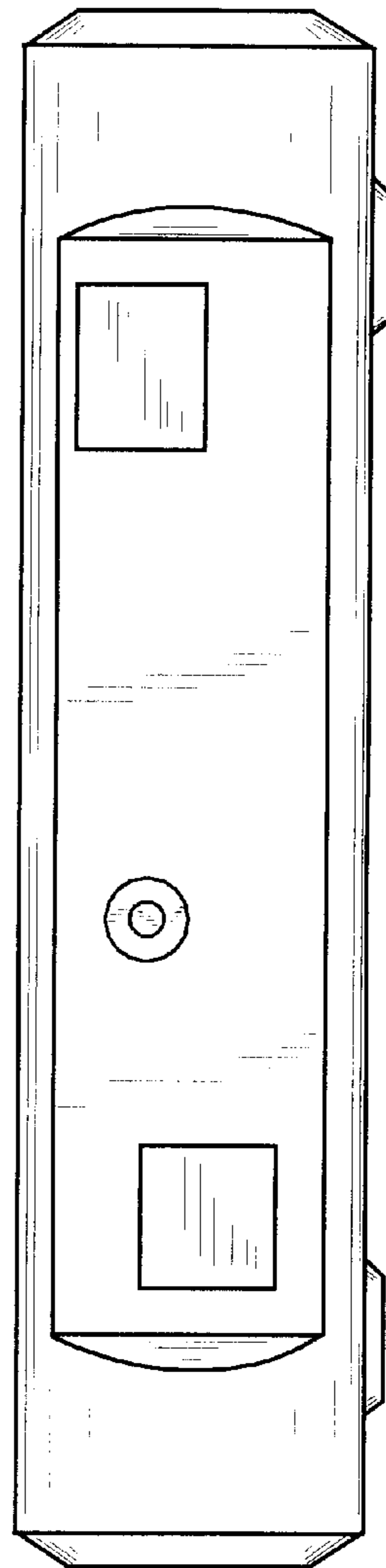


Fig. 7

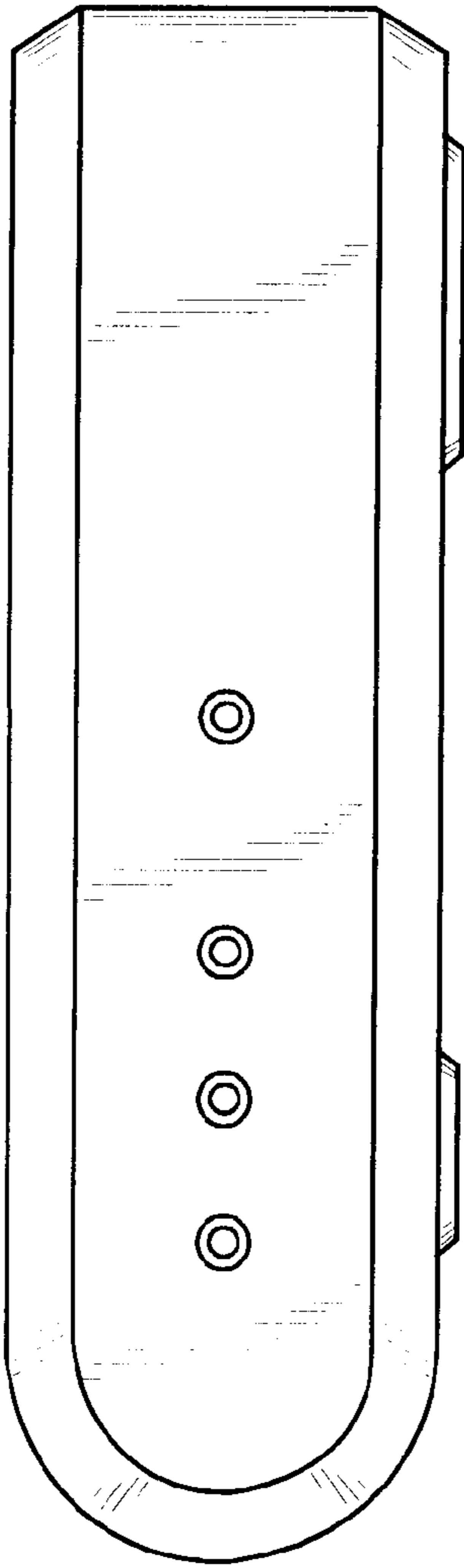


Fig. 3

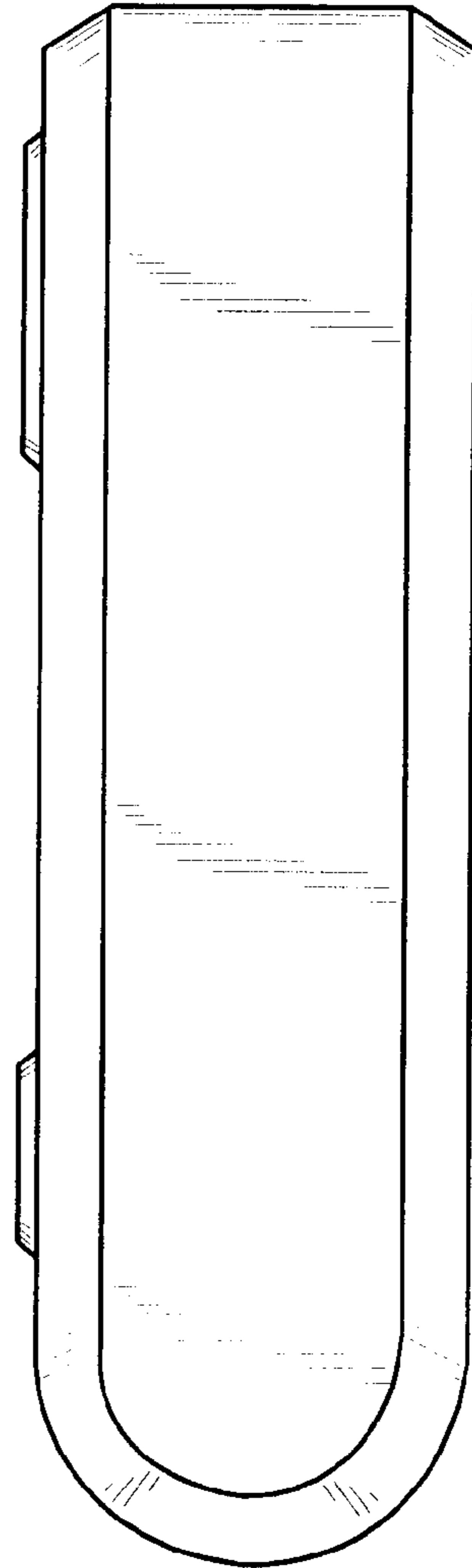


Fig. 6

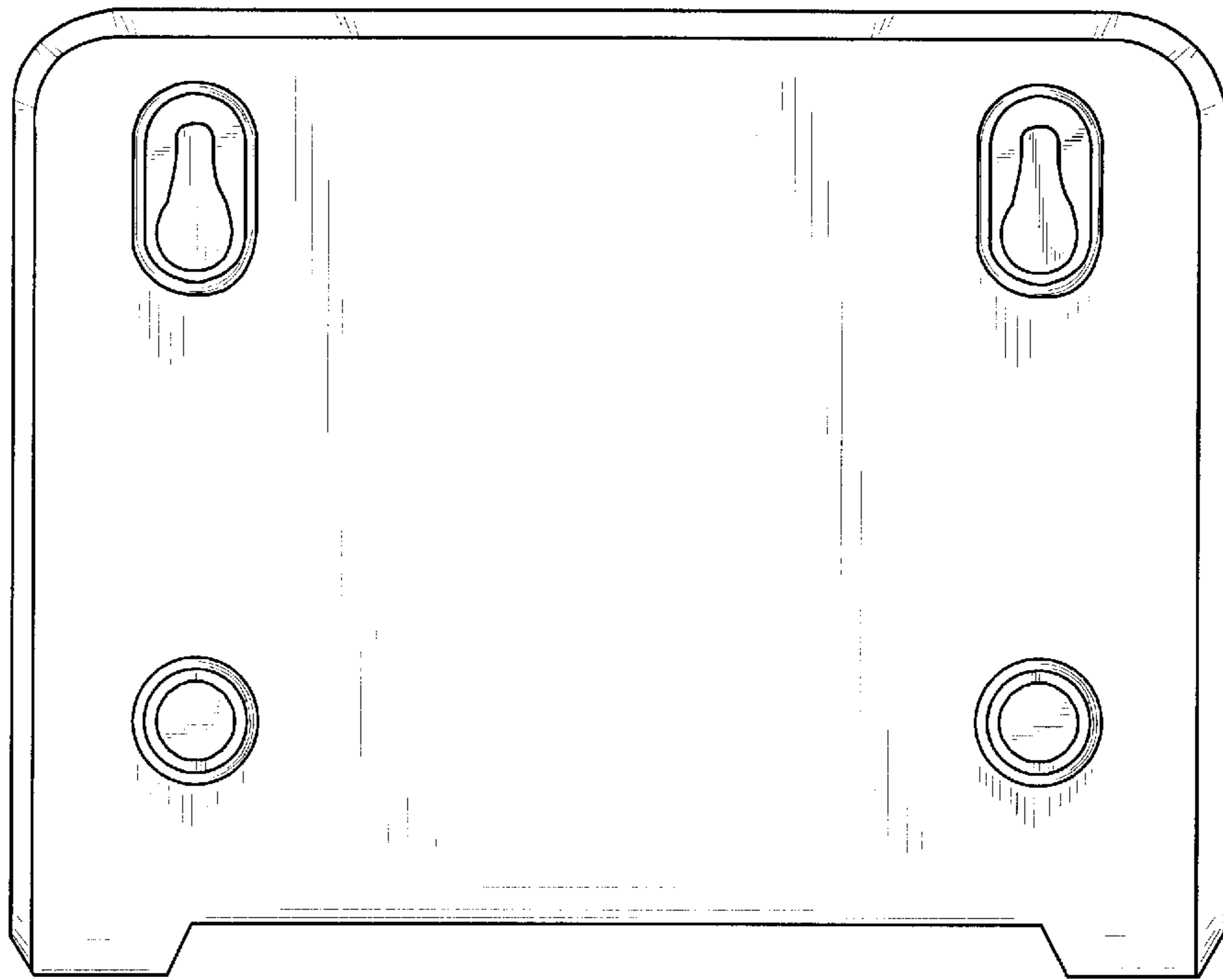


Fig. 4

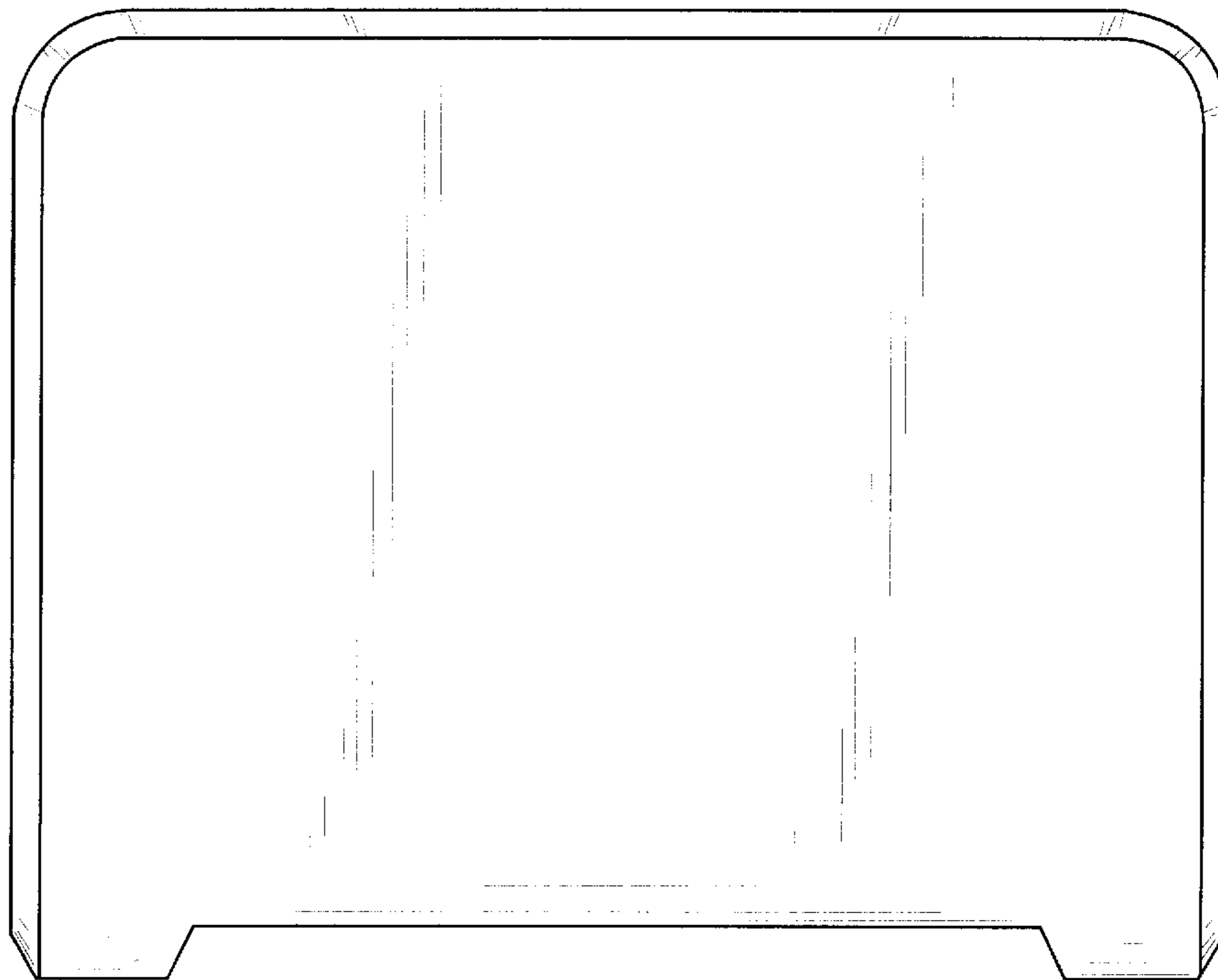


Fig. 5