



US00D470847S

(12) **United States Design Patent**
Carlson et al.

(10) **Patent No.:** **US D470,847 S**

(45) **Date of Patent:** **** Feb. 25, 2003**

(54) **HANDHELD INTERROGATOR**

6,232,870 B1 5/2001 Garber et al. 340/10.1

(75) Inventors: **Casey L. Carlson**, Edina, MN (US);
Peter M. Eisenberg, Minneapolis, MN
(US); **Bernard A. Gonzalez**, St. Paul,
MN (US); **Paul A. Sevcik**, Birchwood,
MN (US); **Jonathan P. Van Dore**,
Minneapolis, MN (US)

FOREIGN PATENT DOCUMENTS

EP 0 987 646 A2 3/2000 G06K/7/08

OTHER PUBLICATIONS

3 pgs regarding Trovan Readers from internet site www.trovan.com/readers.htm printed Jun. 12, 2000.

2 pgs. regarding IDENTEC i-COM handheld interrogator from internet site www.identec.com/systemcomponents.htm printed Jun. 12, 2000.

1 pg. regarding IR-100E: Portable Reader from internet site www.motorola.com/LMPS/Indala/ir-100ehtr printed Jun. 12, 2000.

(73) Assignee: **3M Innovative Properties Co.**, St. Paul, MN (US)

(**) Term: **14 Years**

(21) Appl. No.: **29/158,994**

(22) Filed: **Apr. 12, 2002**

(51) **LOC (7) Cl.** **14-02**

(52) **U.S. Cl.** **D14/428**

(58) **Field of Search** D10/78, 104; D14/428;
D19/41-51; 235/382, 375, 378, 385, 454,
462.15, 472.02, 462.46, 486, 380; 340/10,
572.4, 572.3, 572.6, 572.7, 505, 825.34;
382/312-315, 318, 319, 321; 250/203.1,
216; 705/28

(List continued on next page.)

Primary Examiner—Antoine Duval Davis

(74) *Attorney, Agent, or Firm*—Peter L. Olson

(57) **CLAIM**

The ornamental design for a handheld interrogator, as shown and described.

DESCRIPTION

FIG. 1 is a perspective view of the handheld interrogator showing our new design;

FIG. 2 is a front elevational view thereof;

FIG. 3 is a back elevational view thereof;

FIG. 4 is a top plan view thereof;

FIG. 5 is a bottom elevational view thereof;

FIG. 6 is a right side elevational view thereof; and,

FIG. 7 is a left side elevational view thereof.

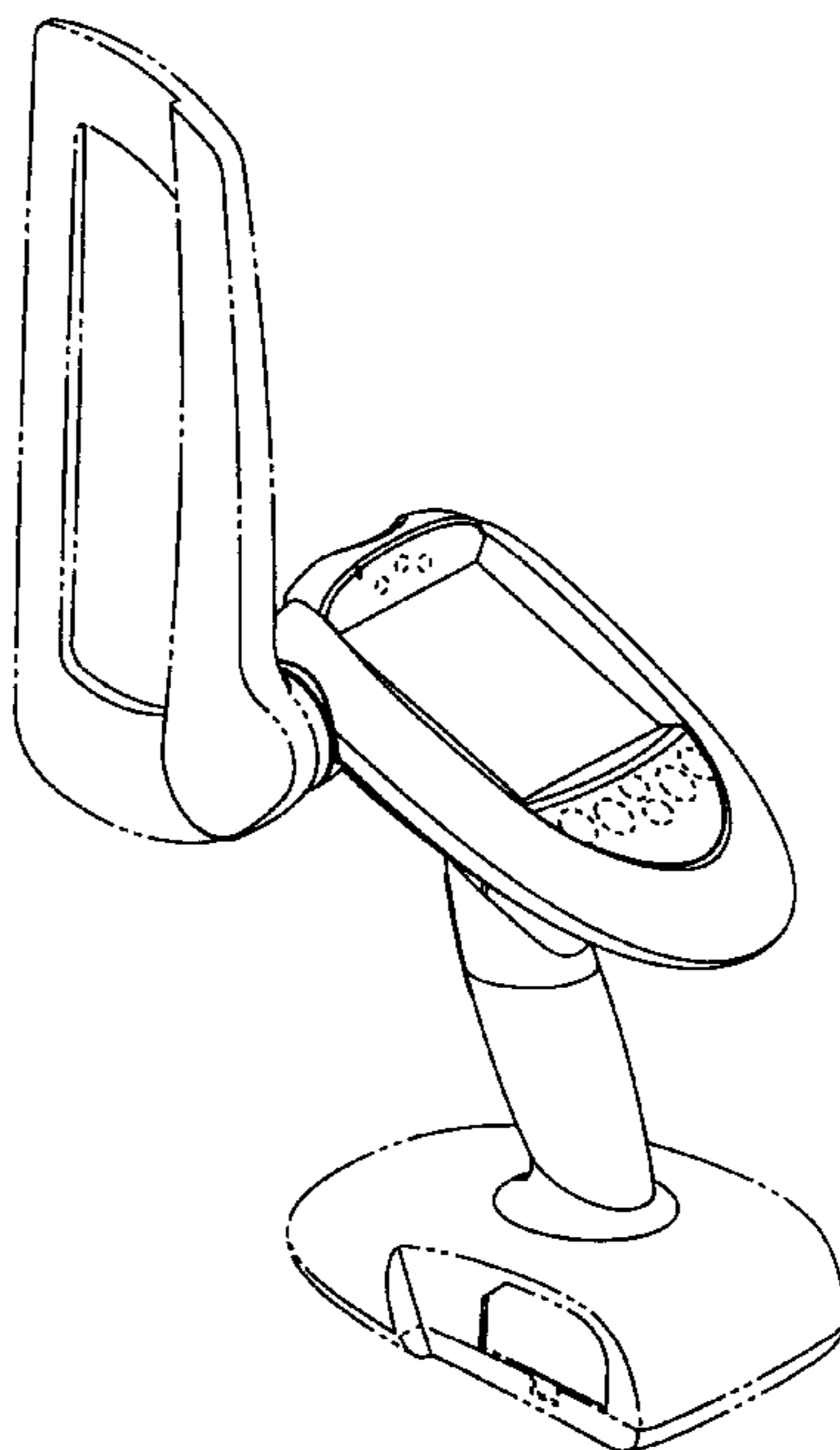
The broken line drawing in all figure views is for illustrative purposes only, and forms no part of the claimed design.

(56) **References Cited**

U.S. PATENT DOCUMENTS

D307,138 S	4/1990	Knowles	D14/116
5,280,159 A	1/1994	Schultz et al.	231/382
D352,937 S	11/1994	Karlin	D14/116
D362,435 S	9/1995	Charych et al.	D14/116
D377,347 S	1/1997	Karlin	D14/116
D400,199 S	10/1998	Fitch et al.	D14/116
D414,171 S	9/1999	Swift et al.	D14/116
6,050,591 A *	4/2000	Shepard et al.	235/472.02
D435,557 S	12/2000	Eisenberg et al.	D14/428

1 Claim, 3 Drawing Sheets



OTHER PUBLICATIONS

3 pgs. regarding Spider RFID from internet site www.wirelessmountain.com/spiderreader.htm printed Jun. 12, 2000.

2 pgs. regarding Performa# Portable Reader from internet site www.checkpointsystems.com/rfid/retperf.htm printed June 12, 2000.

2 pgs. regarding Hand-Held Computer 5020 from internet site www.corp.intermec.com/products/5020.htm printed Jun. 12, 2000.

1 pg. regarding Portable RFID Readers from internet site www.stid.com/p_Portables_uk.htm printed Jun. 12, 2000.

2 pgs. regarding workabout from internet site www.enterprise.pSION.com/public/products/workabout.htm printed Jun. 12, 2000.

2 pgs. regarding Moby RFID Tag Reader from internet site www.enterprise.pSION.com/public/3rdparty/3drfidsiemens.htm printed Jun. 12, 2000.

1 pg. regarding Portable RFID Blackroc from internet site www.blackroc.com/PORTABLE%20RFID.htm printed Jun. 12, 2000.

* cited by examiner

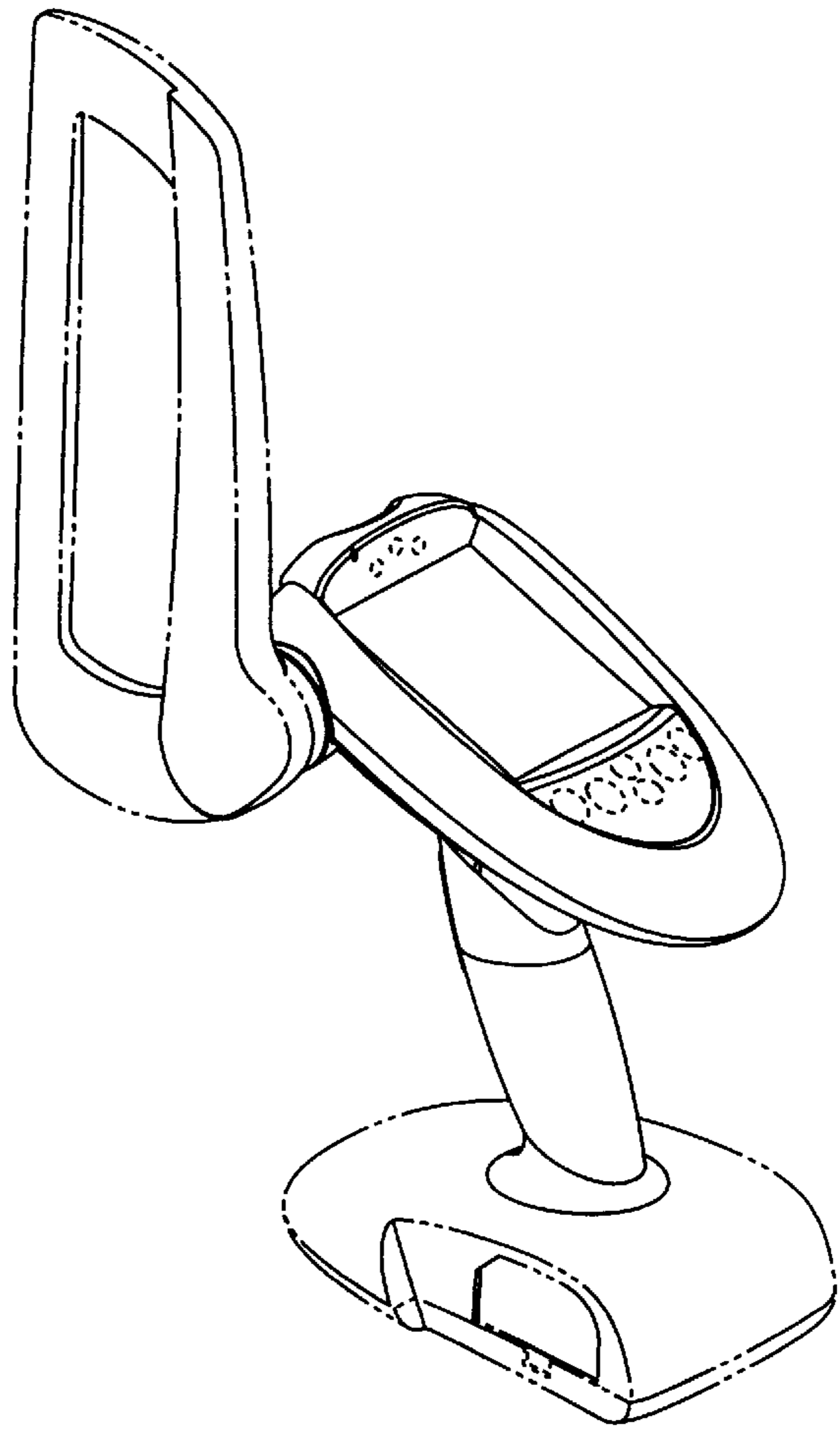


Fig. 1

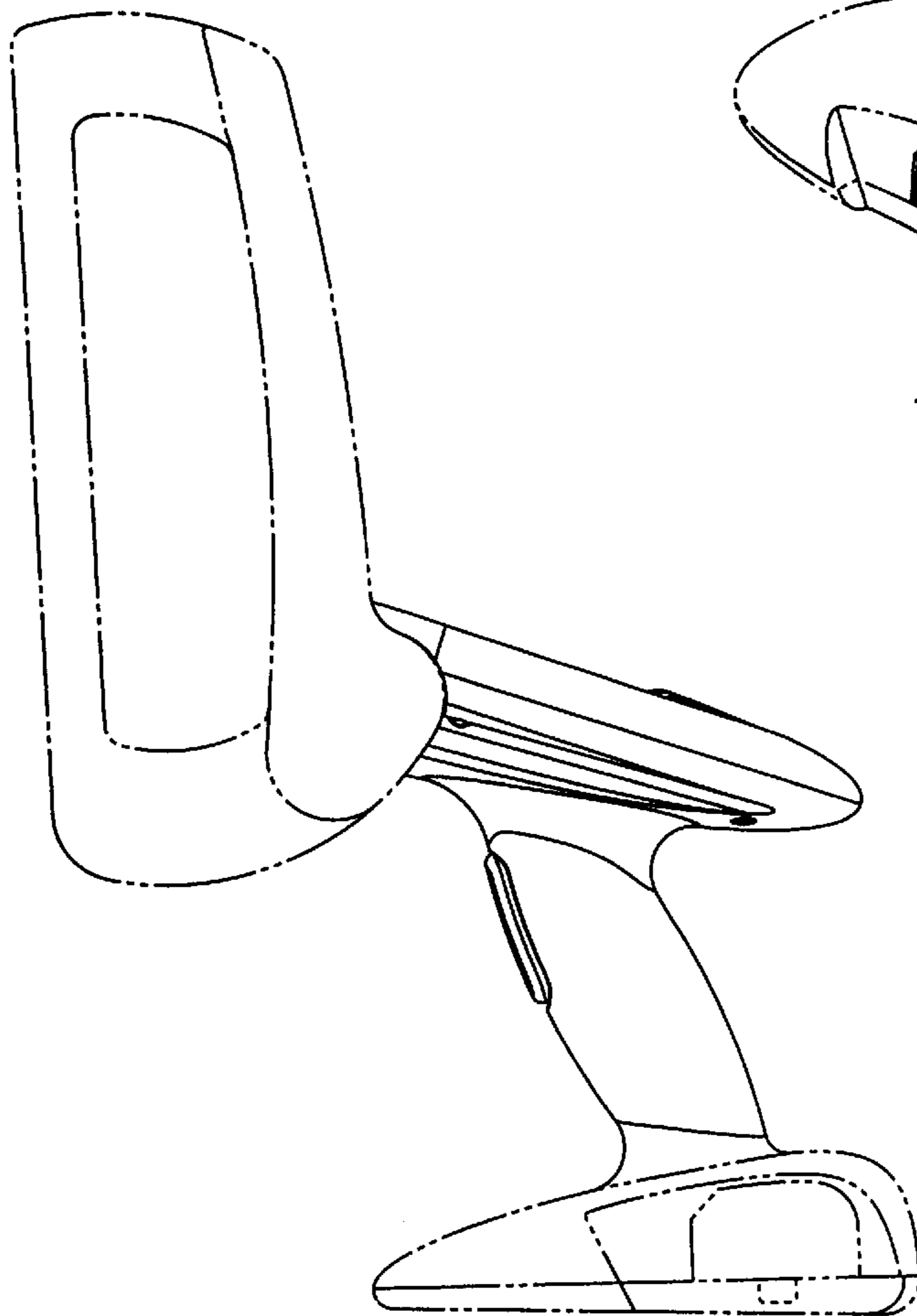


Fig. 2

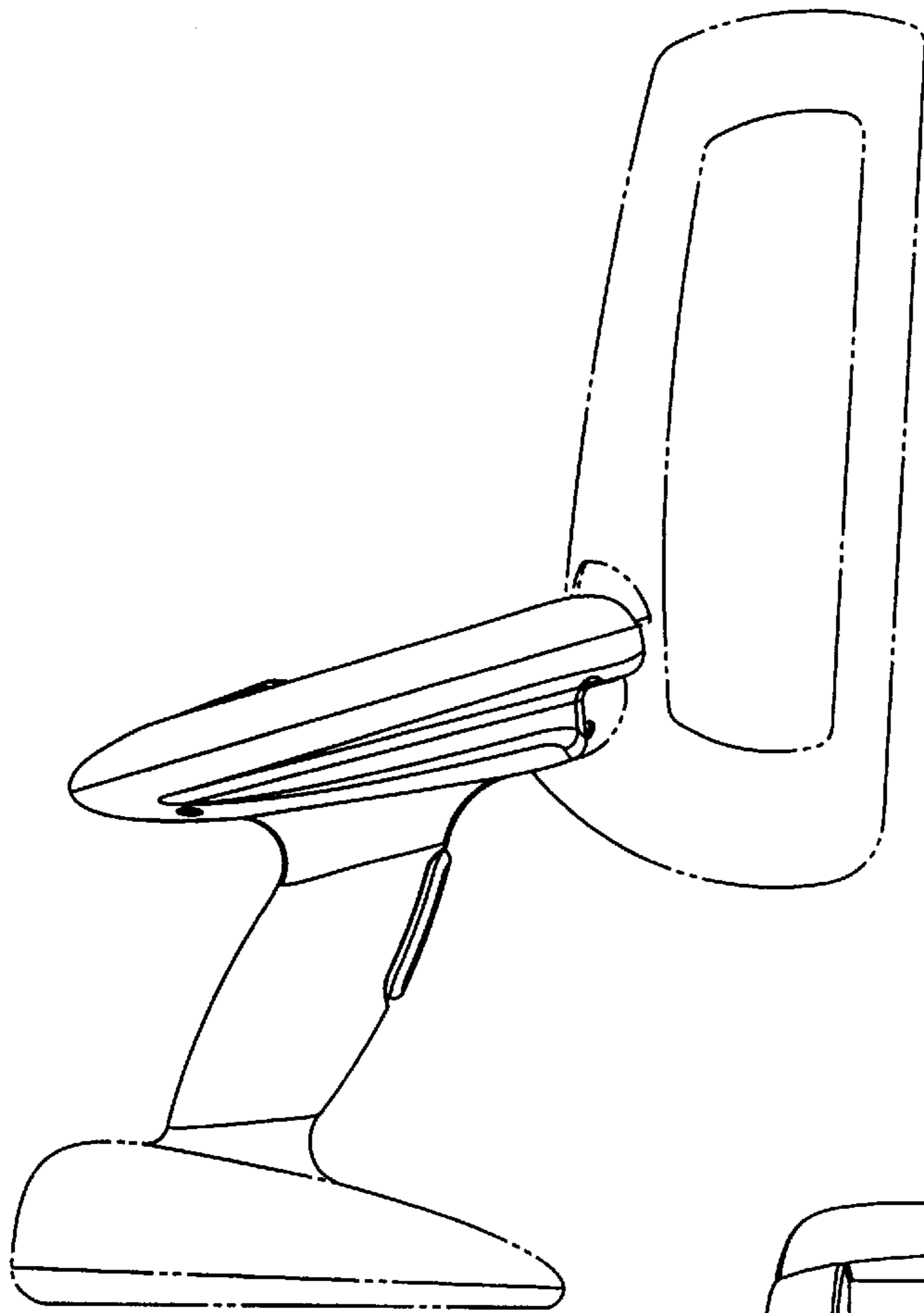


Fig. 3

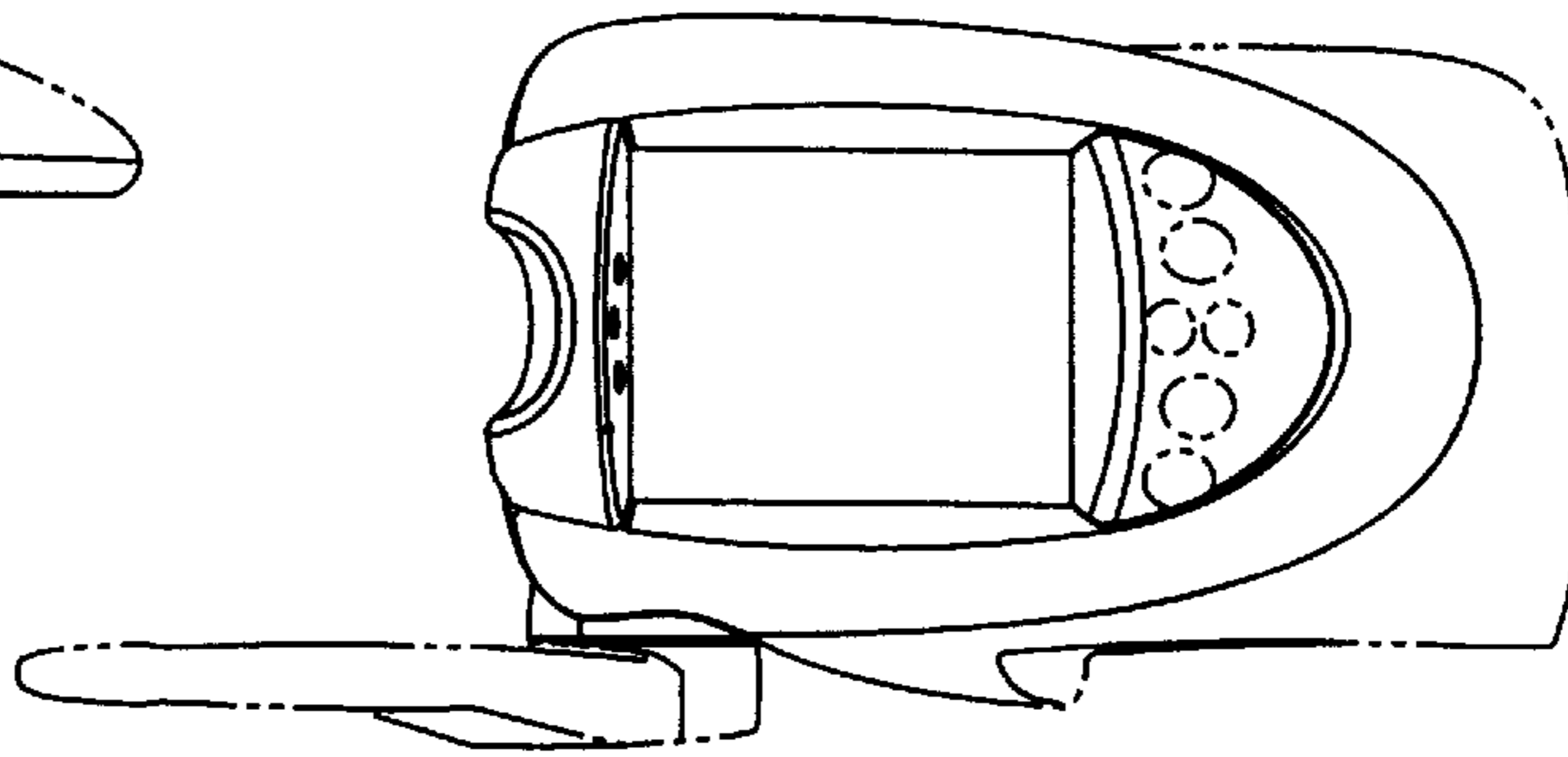


Fig. 4

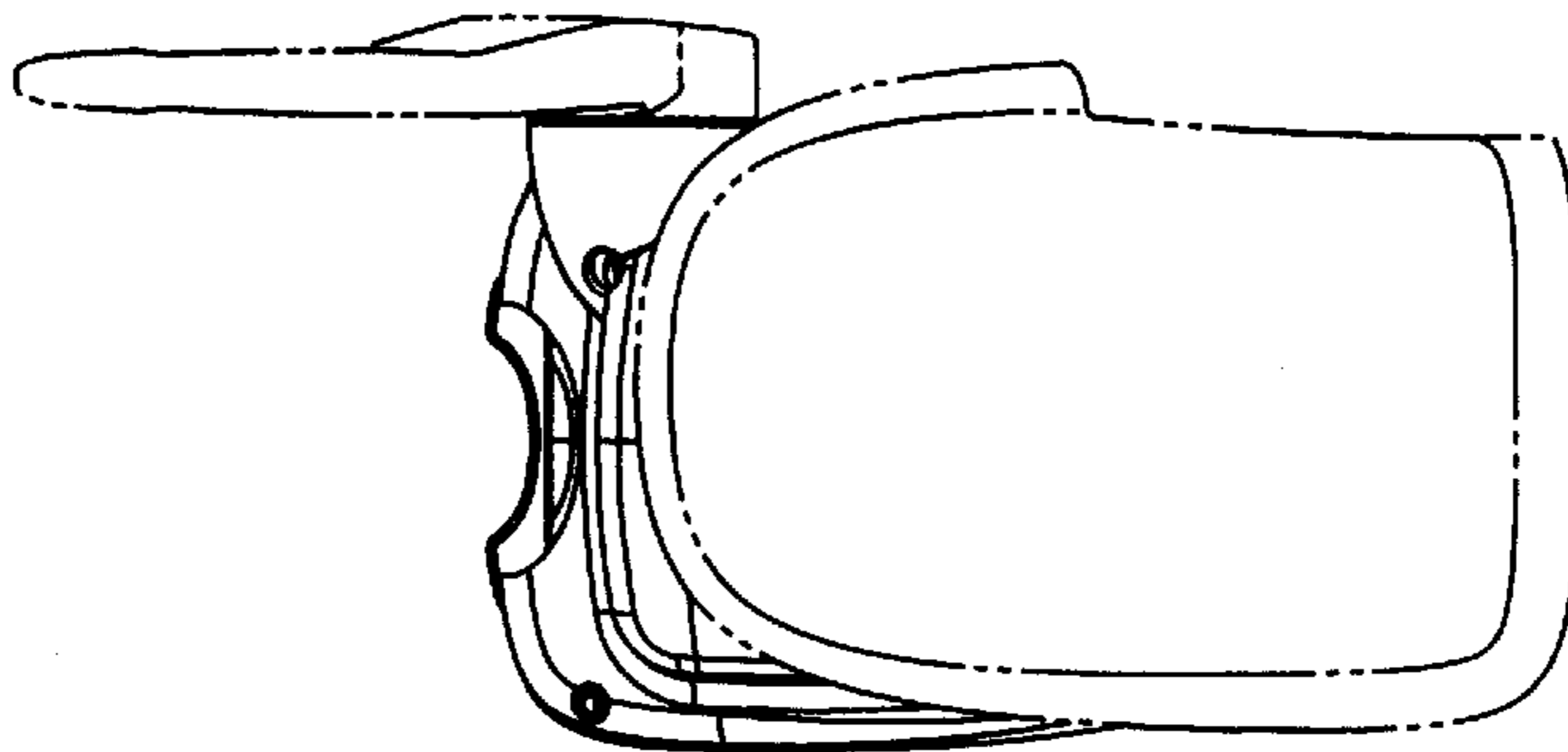


Fig. 5

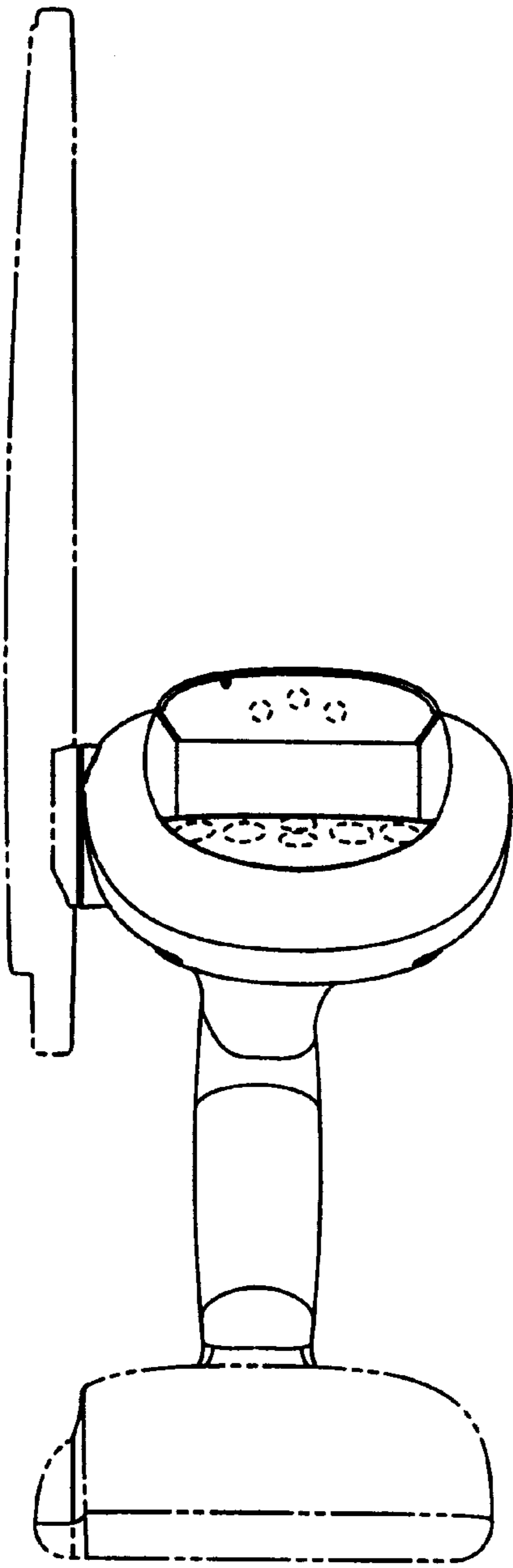


Fig. 6

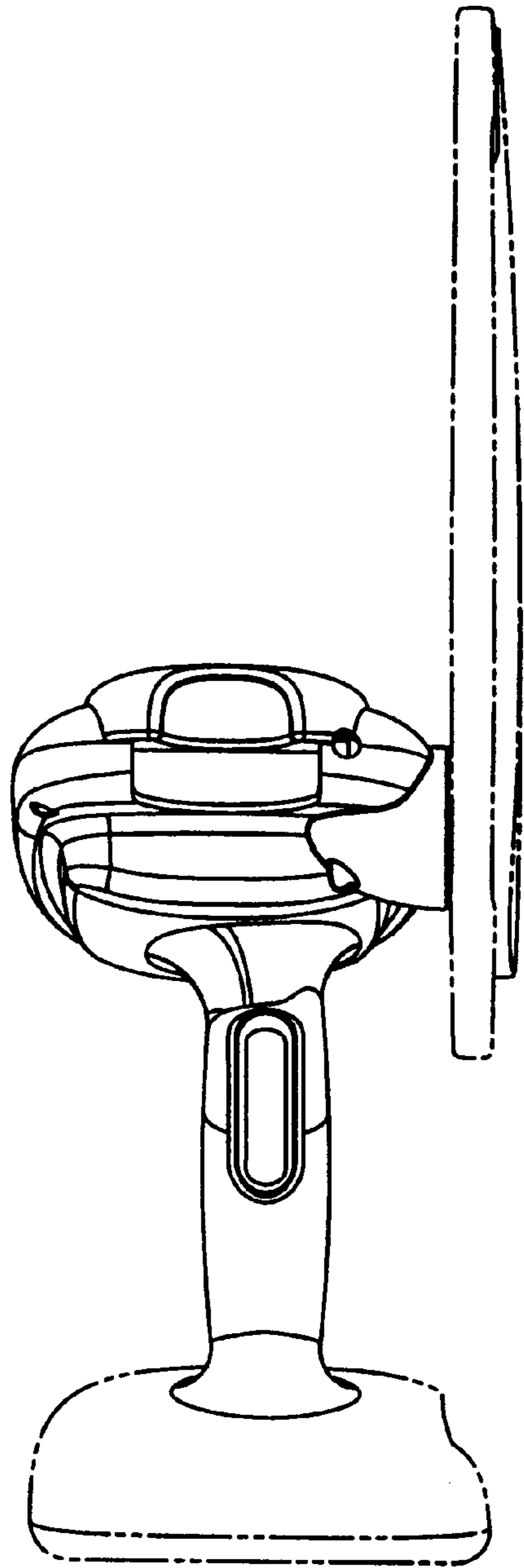


Fig. 7

UNITED STATES PATENT AND TRADEMARK OFFICE
CERTIFICATE OF CORRECTION

PATENT NO. : Des. 470,847 S
DATED : February 25, 2003
INVENTOR(S) : Carlson, Casey L.

Page 1 of 1

It is certified that error appears in the above-identified patent and that said Letters Patent is hereby corrected as shown below:

Title page,

Before Item [56], insert the following paragraph:

-- Government License Rights

This invention was made with Government support under Agreement No. NMA202-97-9-1050 awarded by the National Imagery and Mapping Agency. The Government has certain rights in the invention. --

Signed and Sealed this

Twenty-first Day of September, 2004



JON W. DUDAS

Director of the United States Patent and Trademark Office