



US00D470845S

(12) **United States Design Patent**  
**Hyun**

(10) **Patent No.:** **US D470,845 S**

(45) **Date of Patent:** **\*\* Feb. 25, 2003**

(54) **WIRELESS KEYBOARD FOR PORTABLE TELEPHONE**

(75) **Inventor:** **Sang Min Hyun, Seoul (KR)**

(73) **Assignee:** **Samsung Electronics Co., Ltd., Suwon (KR)**

(\*\*) **Term:** **14 Years**

(21) **Appl. No.:** **29/140,356**

(22) **Filed:** **Apr. 17, 2001**

(51) **LOC (7) Cl.** ..... **14-02**

(52) **U.S. Cl.** ..... **D14/393; D14/240**

(58) **Field of Search** ..... D14/137, 138, D14/218, 147-148, 247-248, 391-394, 144, 320, 396, 341-347, 399; 379/433.01-433.13, 419, 434, 428.01-428.04, 420.01-420.04, 440; 455/550-575, 90; D21/517; 361/680; 341/22; 345/168, 169

(56) **References Cited**

**U.S. PATENT DOCUMENTS**

D324,035 S	*	2/1992	Izaki	.....	D14/320
D340,043 S	*	10/1993	Louis	.....	D14/393
D345,158 S	*	3/1994	Namba et al.	.....	D14/138
D345,356 S	*	3/1994	Ando et al.	.....	D14/138
5,373,149 A	*	12/1994	Rasmussen	.....	235/492
5,457,453 A	*	10/1995	Chiu et al.	.....	341/22
D379,983 S	*	6/1997	Shindou	.....	D14/138
D383,731 S	*	9/1997	Mieki et al.	.....	D14/345
5,712,760 A	*	1/1998	Coulon et al.	.....	361/680
5,941,648 A	*	8/1999	Robinson et al.	.....	400/82
D416,008 S	*	11/1999	Robinson et al.	.....	D14/393
D420,655 S	*	2/2000	Louis et al.	.....	D14/396
6,088,220 A	*	7/2000	Katz	.....	361/680
D430,566 S	*	9/2000	Chu et al.	.....	D14/345
D432,535 S	*	10/2000	Loh et al.	.....	D14/345
D436,592 S	*	1/2001	Okumura	.....	D14/345
D443,598 S	*	6/2001	Katz	.....	D14/396

D449,605 S	*	10/2001	Schebesch et al.	.....	D14/345
D457,525 S	*	5/2002	Olodort et al.	.....	D14/396
D460,070 S	*	7/2002	Chang	.....	D14/392
2002/0003530 A1	*	1/2002	Hsu et al.	.....	345/168
2002/0030965 A1	*	3/2002	Katz	.....	361/680
2002/0033761 A1	*	3/2002	Katakami et al.	.....	341/22
2002/0050934 A1	*	5/2002	Olodort et al.	.....	341/22
2002/0051337 A1	*	5/2002	Hyun	.....	361/680
2002/0066651 A1	*	6/2002	Furuki et al.	.....	200/5 A
2002/0084920 A1	*	7/2002	Olodort et al.	.....	341/22
2002/0097226 A1	*	7/2002	Chen	.....	345/168
2002/0101405 A1	*	8/2002	Chang	.....	345/168
2002/0122028 A1	*	9/2002	Wang	.....	345/168

**OTHER PUBLICATIONS**

<http://www.mobileplanet.com> . . . , visited cite Sep. 12, 2002, Pocket PC keyboards.\*

<http://catalog.belkin.com> . . . , visited cite Sep. 12, 2002, Input devices, PDA keyboards.\*

\* cited by examiner

*Primary Examiner*—Jeffrey Asch

(74) *Attorney, Agent, or Firm*—Flynn, Thiel, Boutell & Tanis, P.C.

(57) **CLAIM**

I claim the ornamental design for a wireless keyboard for portable telephone, as shown and described.

**DESCRIPTION**

FIG. 1 is a perspective view of a wireless keyboard for portable telephone showing my new design; FIG. 2 is a front elevational view thereof; (A rear elevational view is symmetrical to the front elevational view) FIG. 3 is a left-side elevational view thereof; FIG. 4 is a right-side elevational view thereof; FIG. 5 is a top plan view thereof; and, FIG. 6 is a bottom plan view thereof.

**1 Claim, 2 Drawing Sheets**

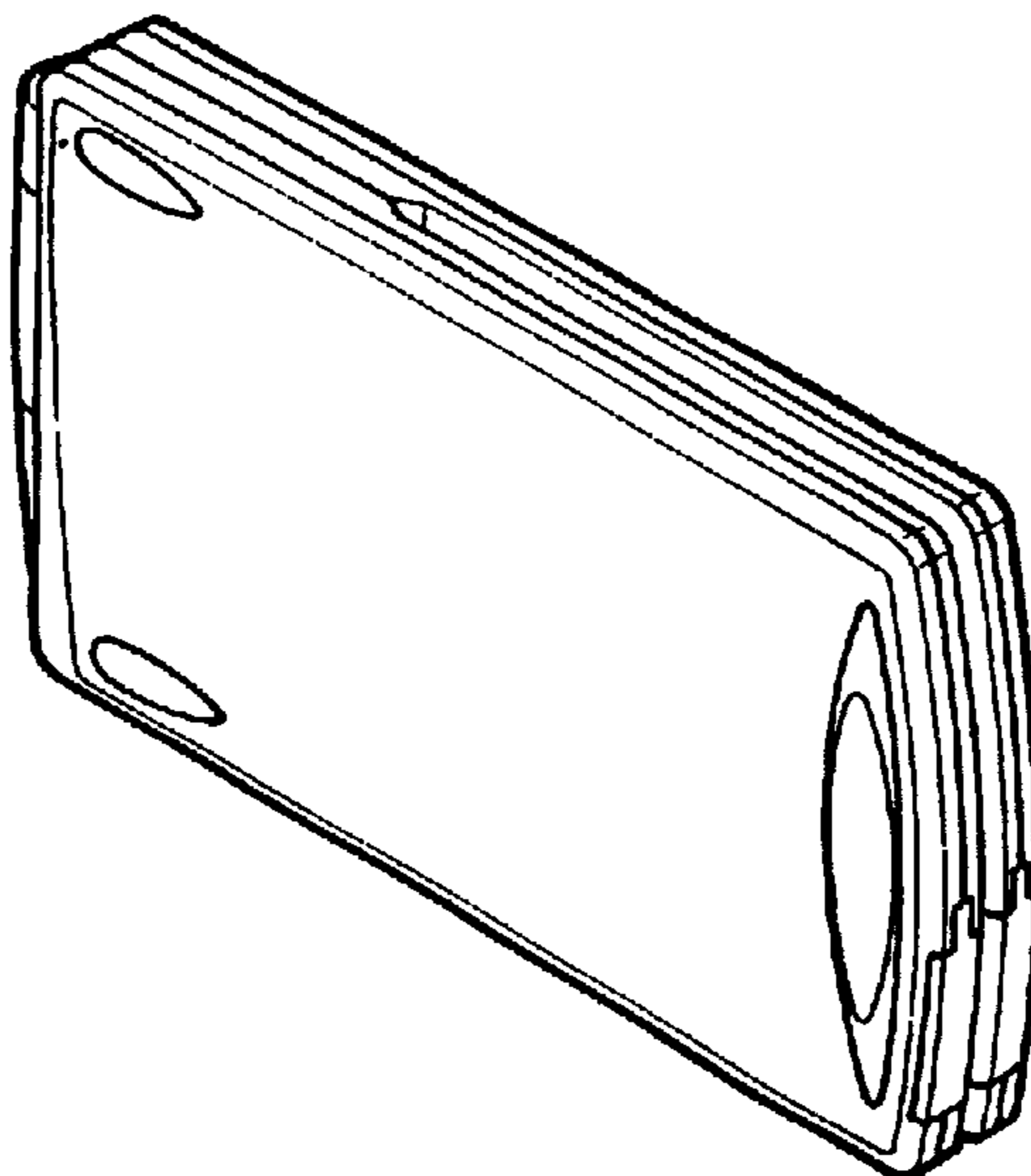


FIG. 1

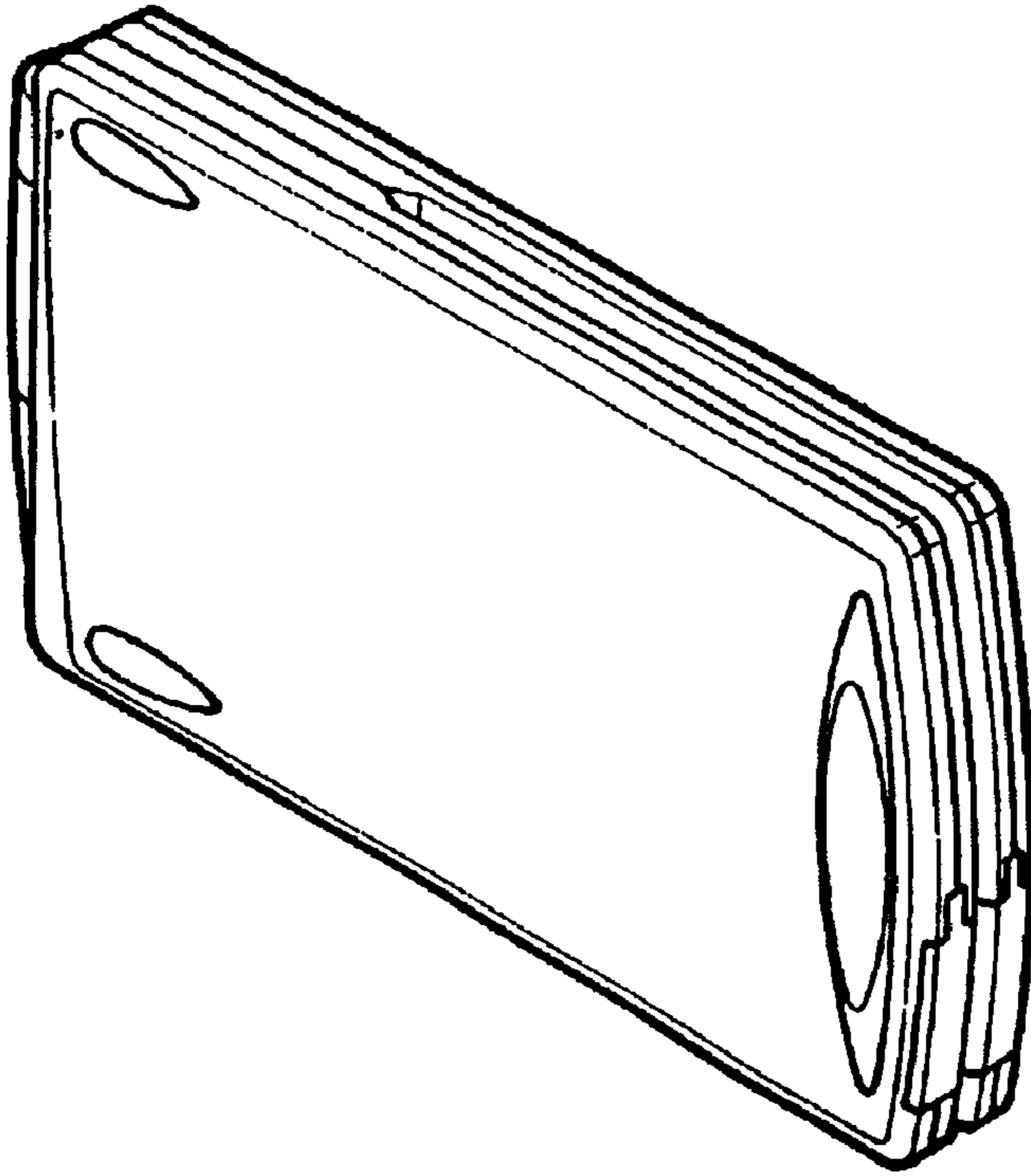


FIG. 2

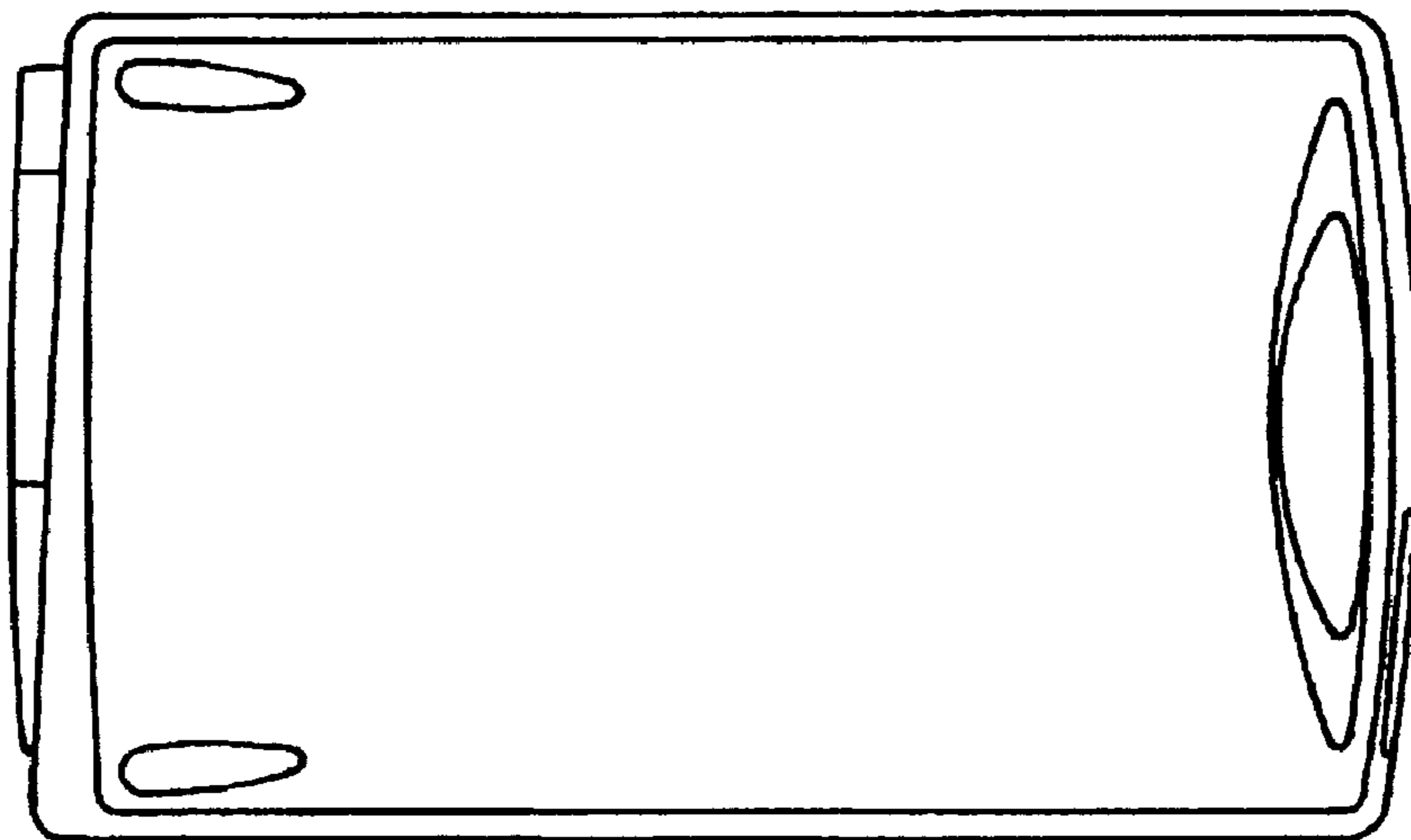


FIG. 3



FIG. 4

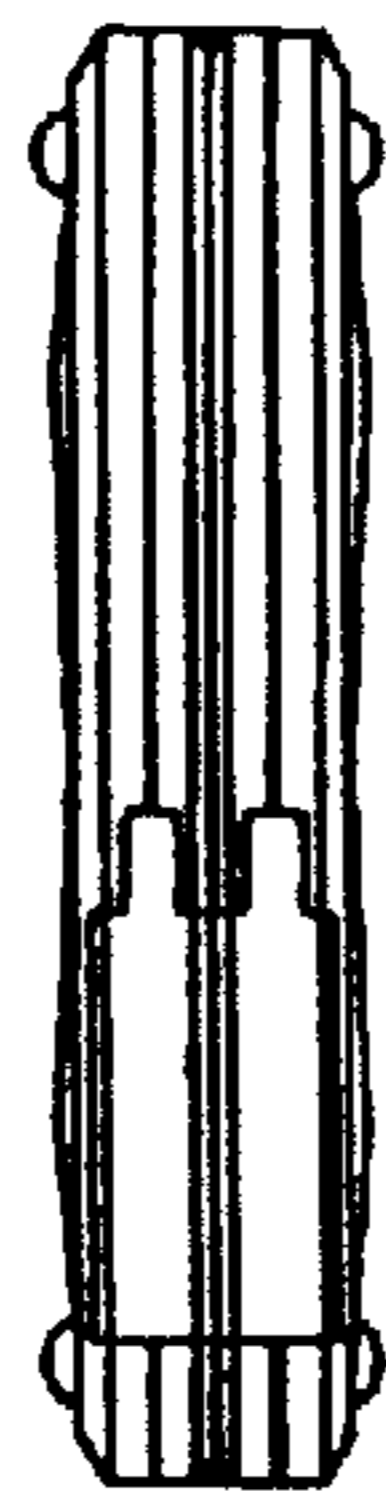


FIG. 5

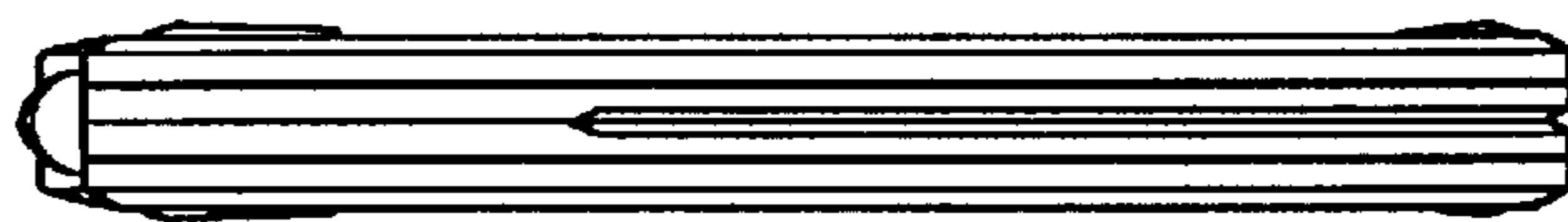


FIG. 6

