



US00D470839S

(12) **United States Design Patent**
Tuhkanen

(10) **Patent No.:** **US D470,839 S**

(45) **Date of Patent:** **** Feb. 25, 2003**

(54) **GSM CONNECTIVITY TERMINAL**

(75) Inventor: **Petri Tuhkanen**, Oulu (FI)

(73) Assignee: **Nokia Corporation**, Espoo (FI)

(**) Term: **14 Years**

(21) Appl. No.: **29/153,599**

(22) Filed: **Jan. 10, 2002**

(30) **Foreign Application Priority Data**

Oct. 10, 2001 (FI) M20010683

(51) **LOC (7) Cl.** **14-03**

(52) **U.S. Cl.** **D14/240**

(58) **Field of Search** D14/137, 240,
D14/138, 242, 308, 356, 357, 358, 311,
313, 441, 144, 348-355, 370, 341-347,
125, 432, 433, 155, 299, 257, 439, 140,
188, 230, 241, 243, 245; 379/433.01-433.13,
419, 434, 428.01-428.04, 420.01-420.04,
440, 441, 442; 455/550-575, 90; D13/184,
123, 152, 147, 110, 164; 200/296, 293;
361/600, 622, 684, 724-728, 702

(56) **References Cited**

U.S. PATENT DOCUMENTS

D346,607 S * 5/1994 Bhargava et al. D14/242
D351,841 S * 10/1994 Blankenship et al. D14/242
D358,395 S * 5/1995 Heidorn et al. D14/242
D359,287 S * 6/1995 Heberling et al. D14/242
D362,240 S * 9/1995 Heidorn et al. D14/357
D391,942 S * 3/1998 Lee D14/341
D393,859 S * 4/1998 Nguyen et al. D14/191
D398,913 S * 9/1998 Tseng D14/435

D408,381 S * 4/1999 Nelson et al. D14/368
D413,893 S * 9/1999 Luzbetak et al. D14/240
D416,023 S * 11/1999 Du D14/242
D418,481 S * 1/2000 Lin D13/152
D418,486 S * 1/2000 Leavitt et al. D14/354
D424,065 S * 5/2000 Soo D14/240
D425,021 S * 5/2000 Ko D13/123
D427,193 S * 6/2000 Fedele D14/348
D434,374 S * 11/2000 Ko D13/123
D435,041 S * 12/2000 Coker et al. D14/240
D436,919 S * 1/2001 Wakefield et al. D13/110
D448,026 S * 9/2001 Nicklos et al. D14/353
D452,863 S * 1/2002 Madsen et al. D14/433
D462,676 S * 9/2002 Sodling D14/240

* cited by examiner

Primary Examiner—Jeffrey Asch

(74) *Attorney, Agent, or Firm*—Darby & Darby

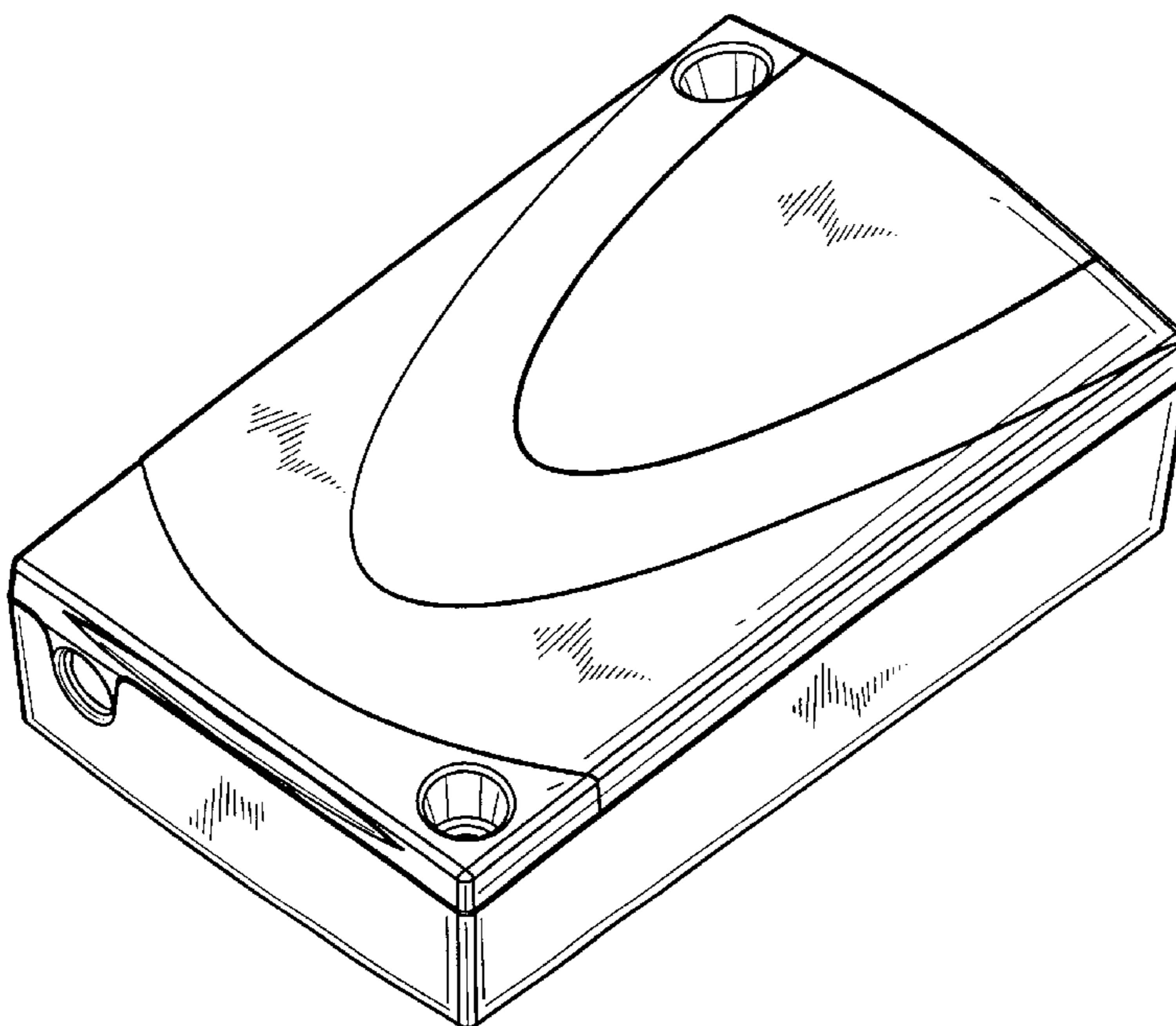
(57) **CLAIM**

The ornamental design for a GSM connectivity terminal, as shown and described.

DESCRIPTION

FIG. 1 is a rear elevational view of a GSM connectivity terminal showing my new design;
FIG. 2 is a left side elevational view thereof;
FIG. 3 is a top plan view thereof;
FIG. 4 is a right side elevational view thereof;
FIG. 5 is a front elevational view thereof;
FIG. 6 is a perspective view thereof as viewed from the front;
FIG. 7 is a perspective view thereof as viewed from the rear; and,
FIG. 8 is a bottom plan view thereof.

1 Claim, 8 Drawing Sheets



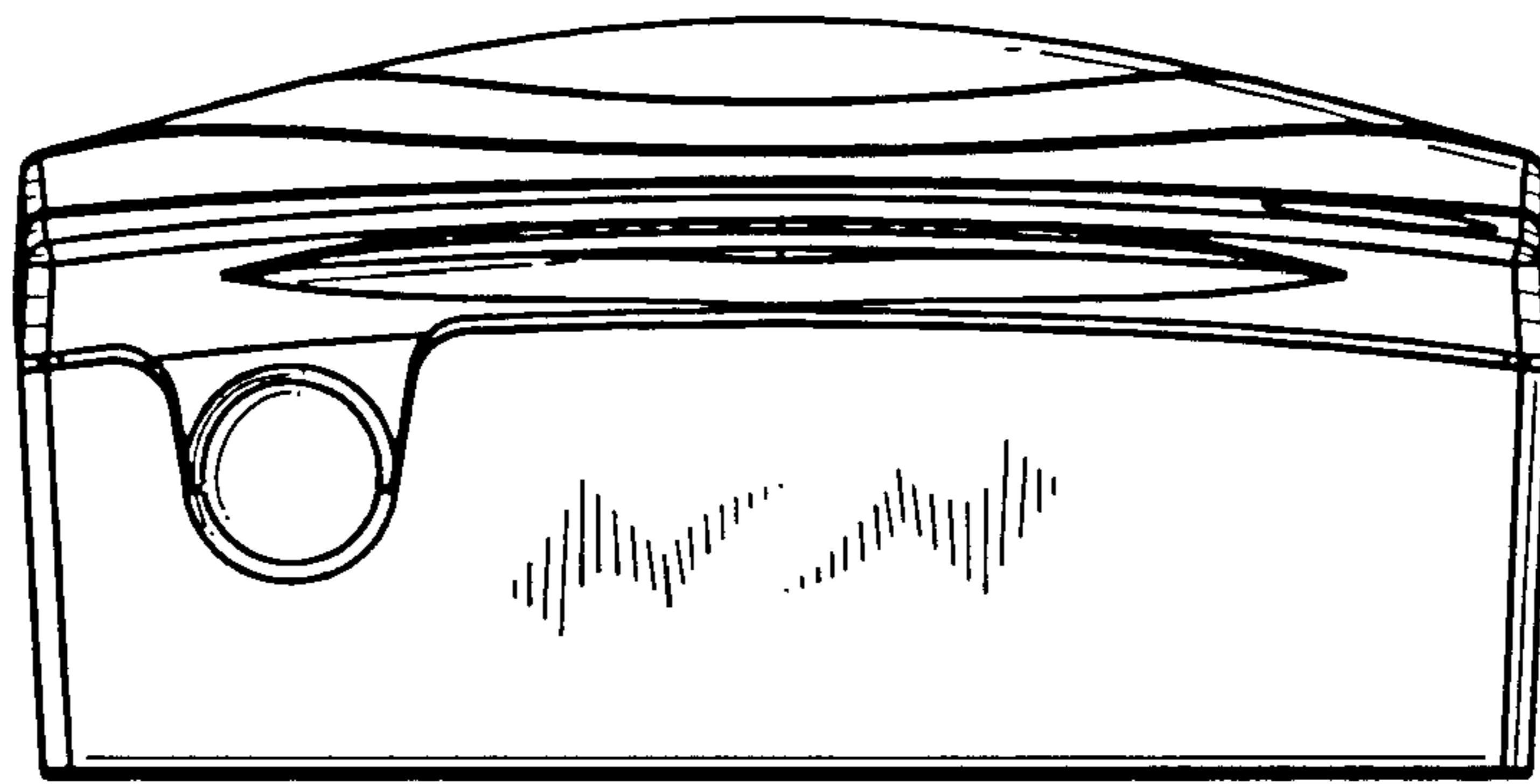


Fig. 1

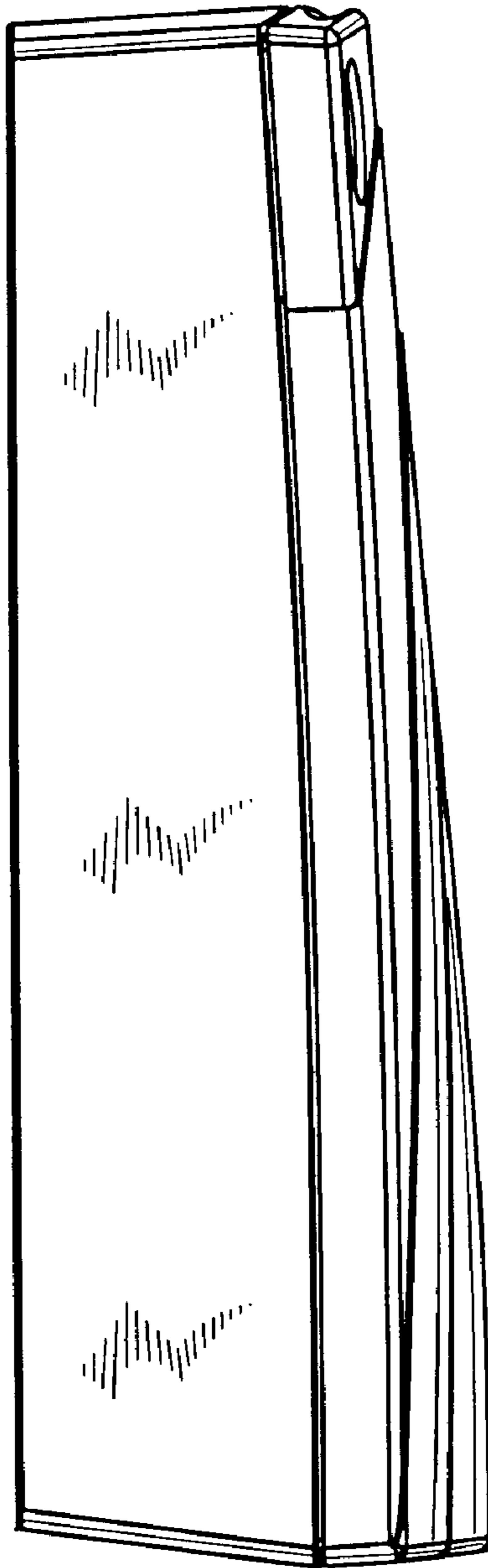


Fig. 2

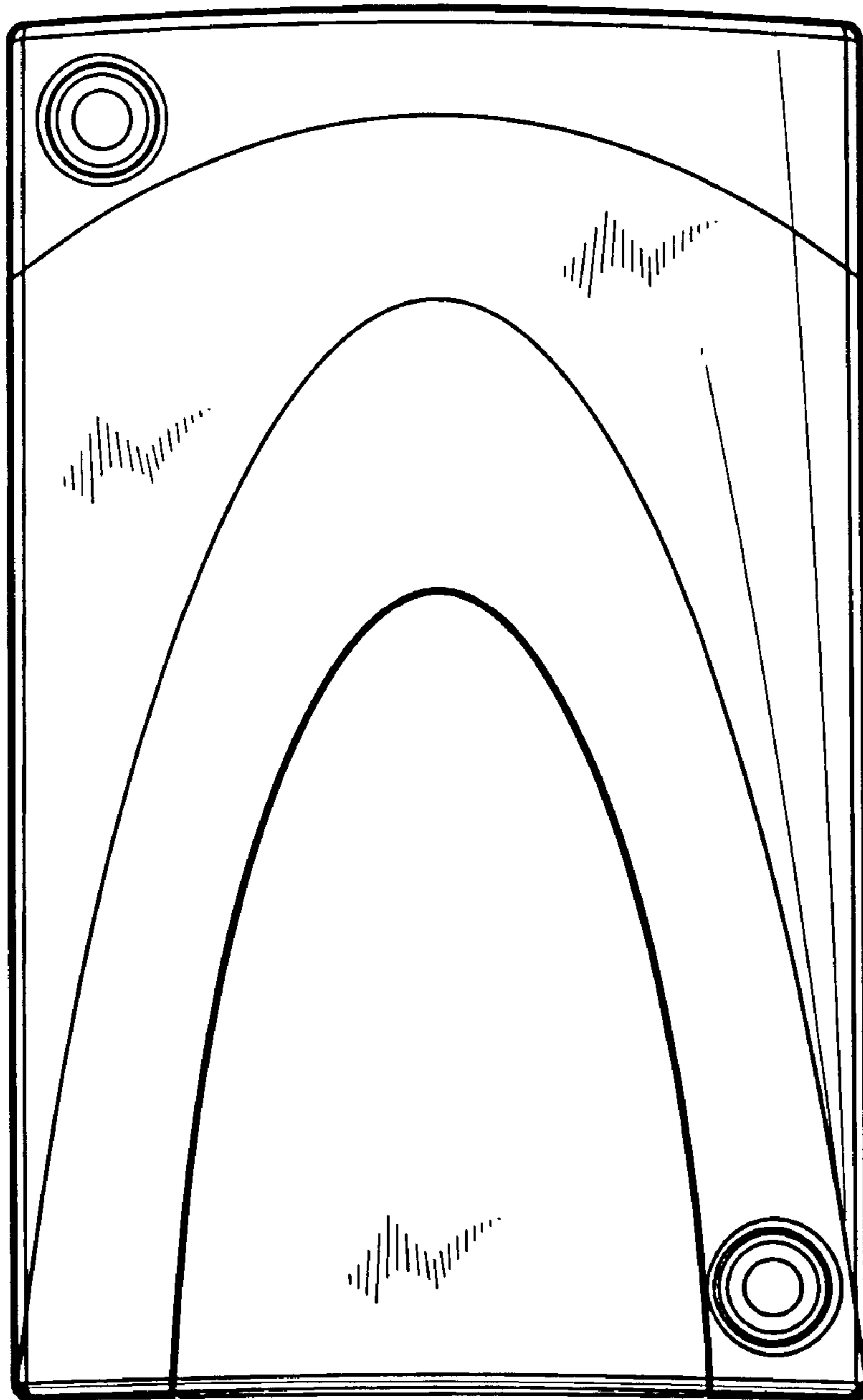


Fig. 3

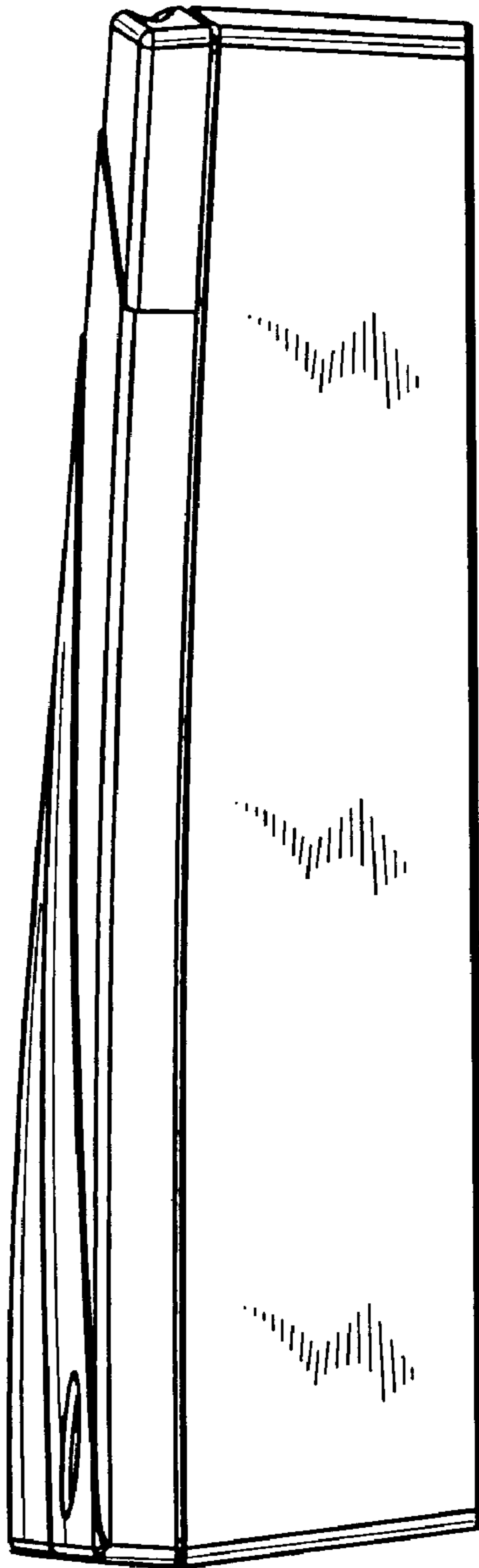


Fig. 4

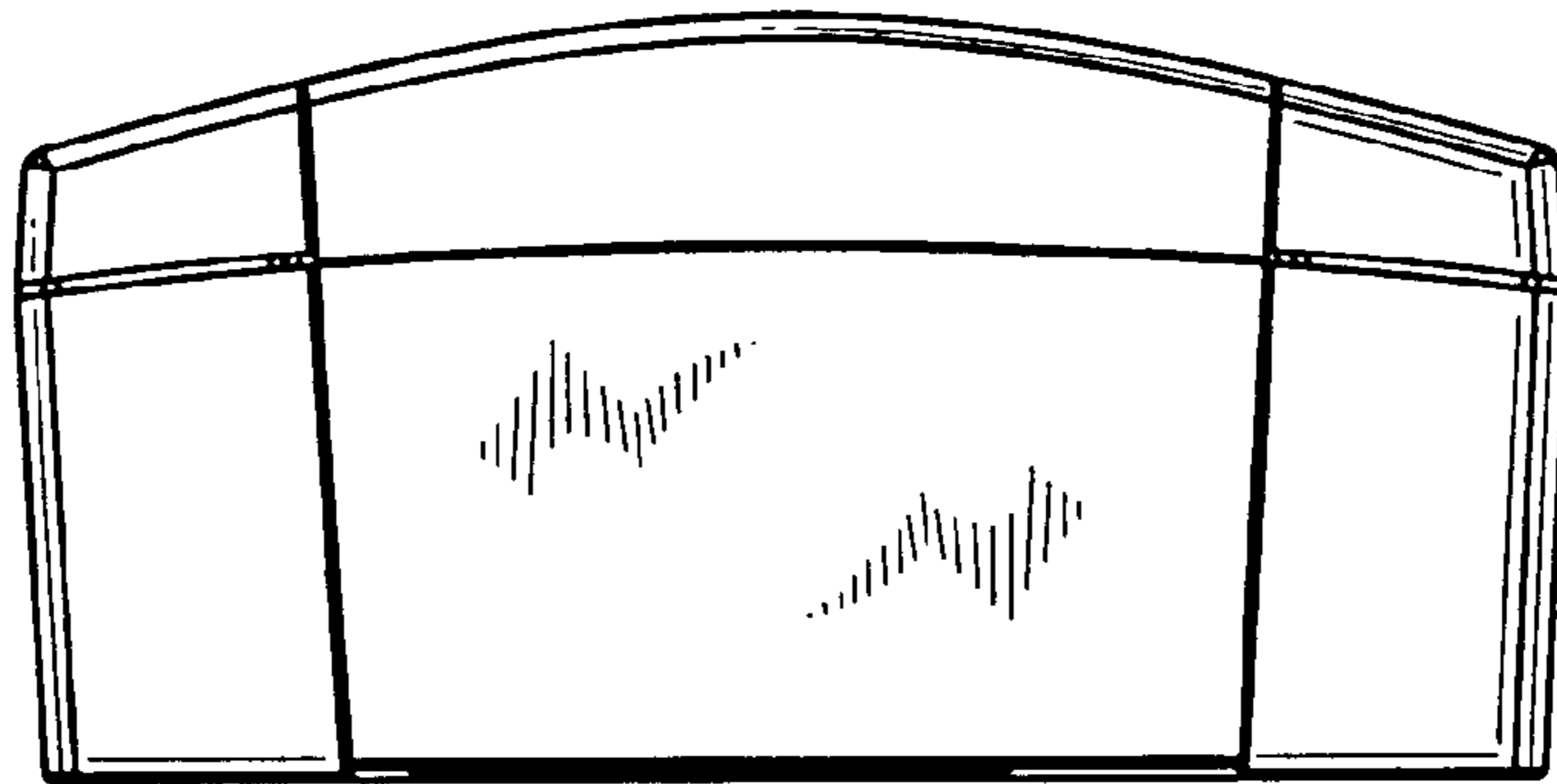


Fig. 5

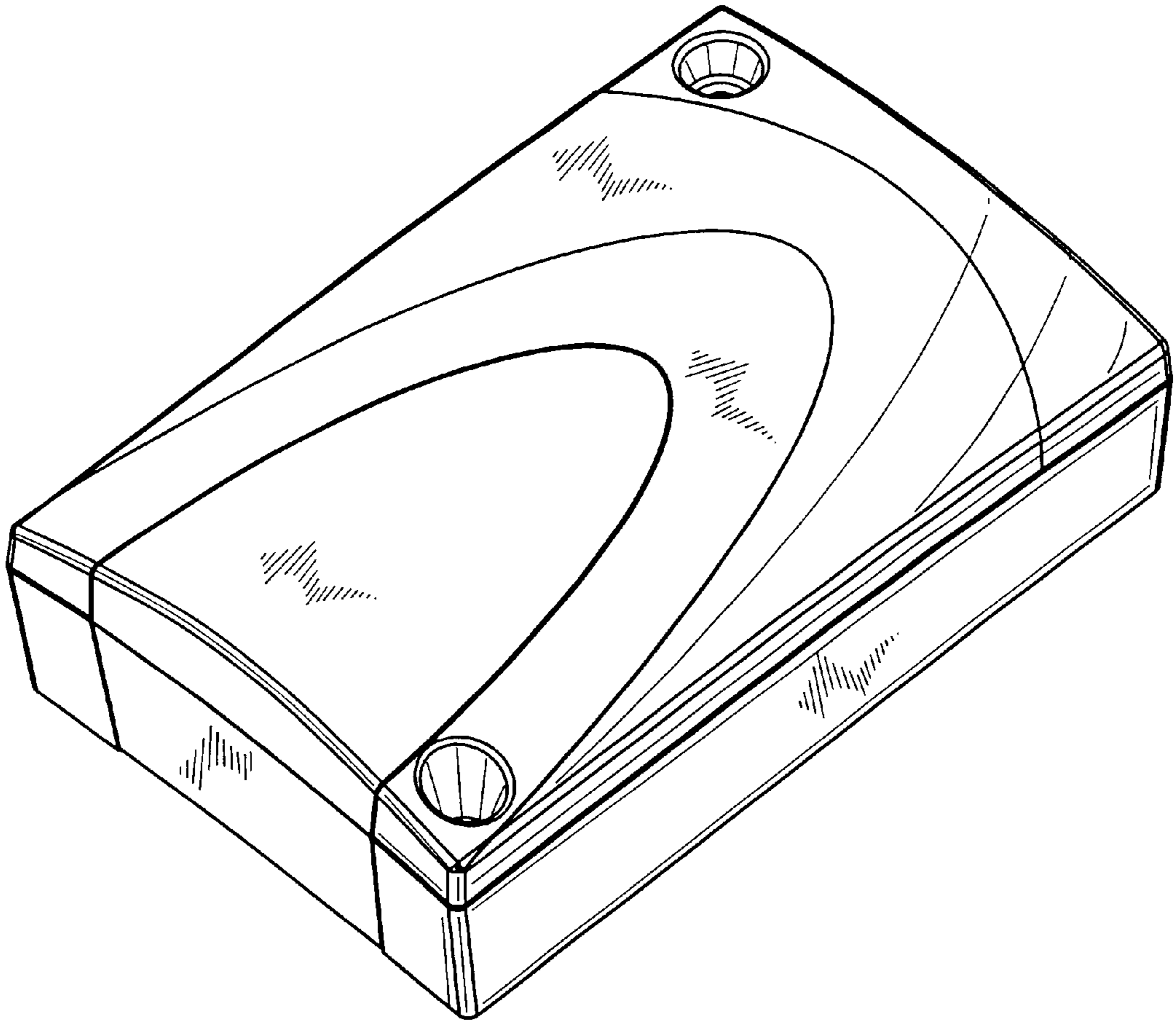


Fig. 6

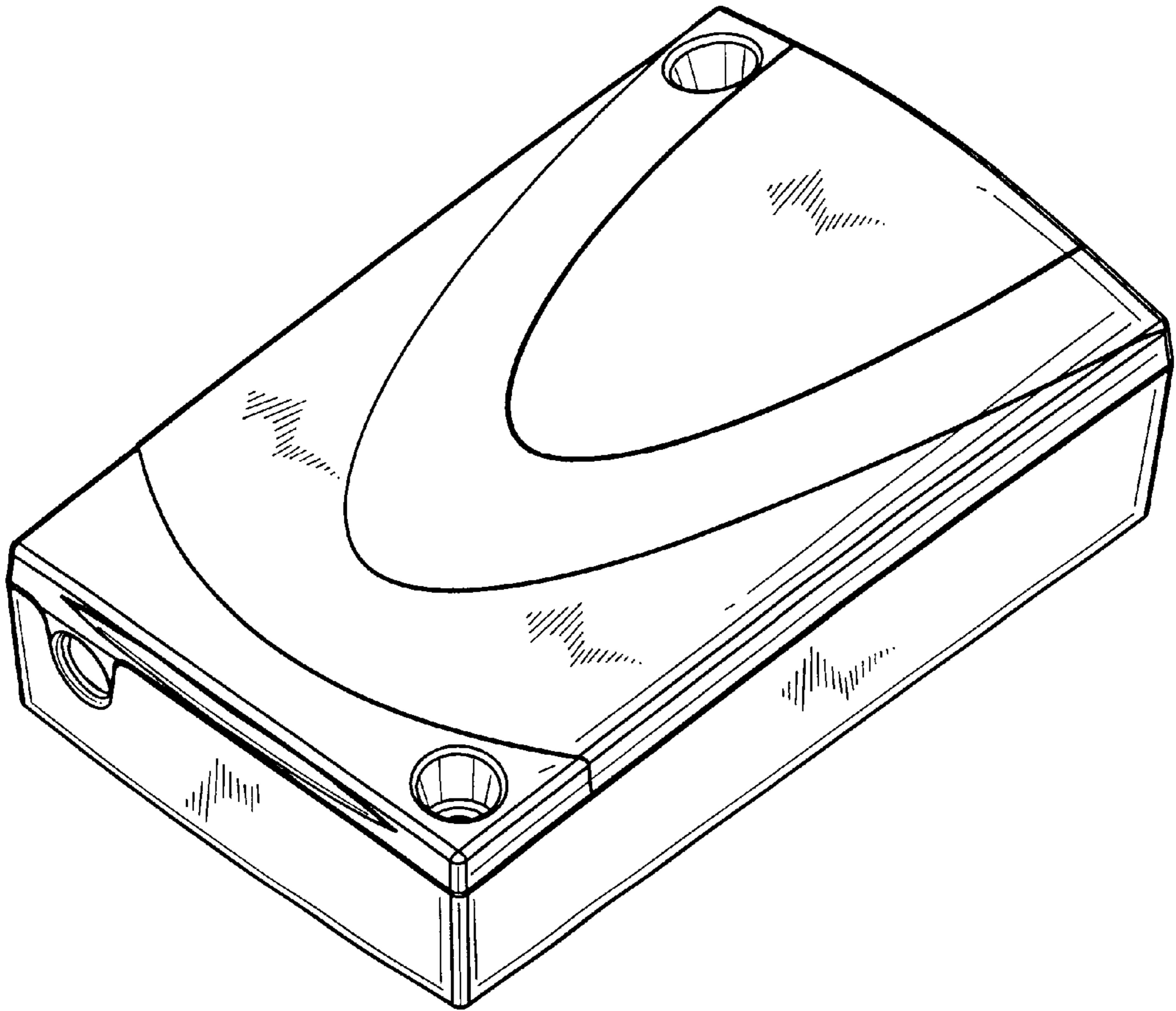


Fig. 7

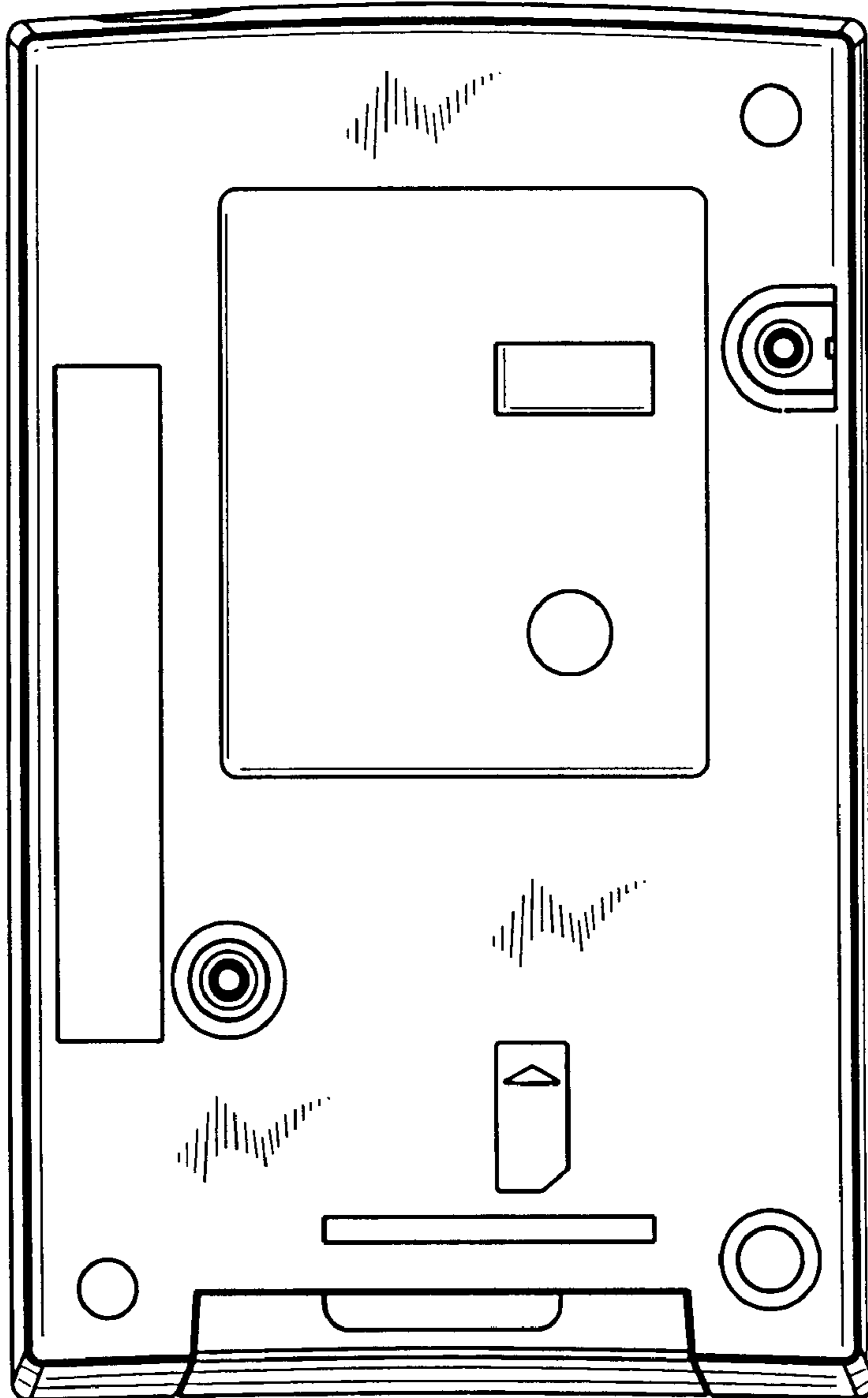


Fig. 8